

520 Series Metric OMNI-BLOK® Molded Base Fuse Block for 5×20mm Fuses



Agency Approval

Agency	Agency File Number
	E14721
	7316
	97121

Additional Information



Datasheet



Resources



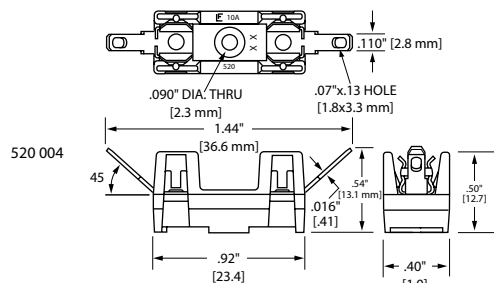
Samples

Product Characteristics

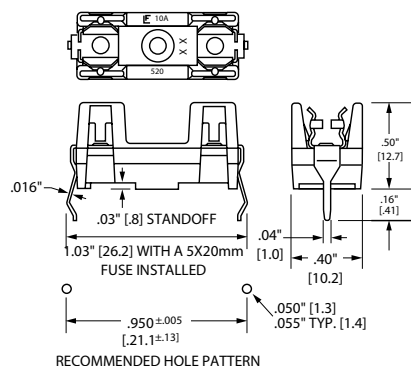
Compatible Fuse Sizes	5×20mm Fuses
Description	The metric Omni-Blok® fuse block, for 5×20mm size fuses, is a low profile design that is available with a choice of solder type terminals, NEMA style QC terminals, or PC board mountable terminals. Each of these designs has tin plated brass terminals. A unique design feature provides self-alignment of the clips to the fuse caps. This feature, plus a one-piece clip/terminal design, assures low contact resistance. An anti-one-piece clip/terminal design, assures low contact resistance. An anti rotation feature is also available on the solder and QC terminal designs.
Electrical	UL/CSA VDE Solder Type — 10A, 600V., 6.3A, 250V Q.C. Type — 10A, 600V. 6.3A, 250V PCB Type — 10A, 600V. 6.3A, 250V
Dielectric Strength	1500V., Minimum
Clip/Terminals	Tin-Plated Spring Brass
Base	Glass reinforced Thermoplastic. UL 94V0 flammability rating. Gray color (GY) for anti-rotational series, black color for all others.
Ambient Temperature	−40°C to +85°C

Product Dimensions [mm]

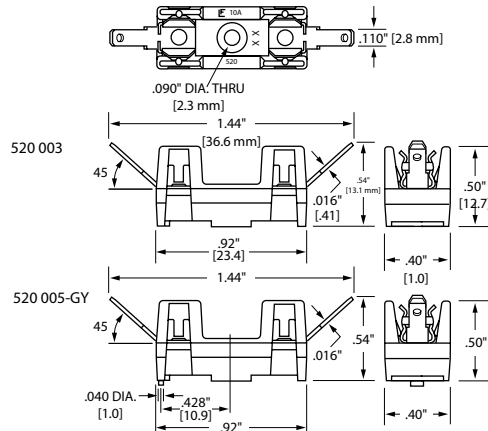
Solder Terminals Type:



PC Board Mount Type:



Q.C. Terminals Type:



Ordering Information

Ordering PN	Part Number	Clip/Terminal Material	Anti-Rotation Boss	Packing
Solder Terminals Type				
0520 0004 Z	520 004	Brass	No	Bulk starting at 1 piece
Q.C. Terminals (NEMA Style .110") Type				
0520 0003 Z	520 003	Brass	No	Bulk starting at 1 piece
0520 0005 ZXGY	520 005 GY	Brass	Yes	Bulk starting at 1 piece
P.C. Board Mount Type				
0520 0101 Z	520 101	Brass	No	Bulk starting at 1 piece

Disclaimer Notice - Information furnished is believed to be accurate and reliable. However, users should independently evaluate the suitability of and test each product selected for their own applications. Littelfuse products are not designed for, and may not be used in, all applications. Read complete Disclaimer Notice at: www.littelfuse.com/disclaimer-electronics.

Mouser Electronics

Authorized Distributor

Click to View Pricing, Inventory, Delivery & Lifecycle Information:

[Littelfuse:](#)

[05200002M](#) [05200004Z](#) [05200005ZXGY](#) [05200101Z](#) [05200003Z](#) [05200002H](#)