

This document is the property of Amphenol Corporation and is delivered on the express condition that it is not to be disclosed, reproduced or used, in whole or in part, for manufacture or sale by anyone other than Amphenol Corporation without its prior consent, and that no right is granted to disclose or to use any information in this document.

The marking on this product doesn't contain environmental hazardous materials per Material Specification SS-00259 for Sony GP compliant or per directive 2011/65/EU for RoHS compliant.



ORIGINAL

PART NO. GSB4211XXXWEU

PLATING OPTIONS
3: 30u" GOLD

TAIL LENGTH
1: 2.80 MM
2: 3.30 MM

COLOR
1: BLUE
3: BLACK

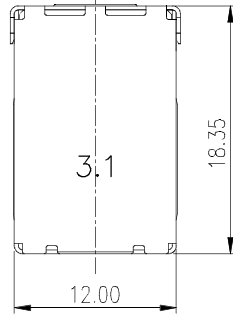
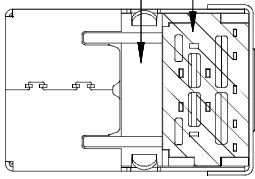


NOTES:

- MATERIAL:
HOUSING: HIGH TEMPERATURE THERMAL PLASTIC, PBT, UL94V-0.
BAFFLE : HIGH TEMPERATURE THERMAL PLASTIC, NYLON66, UL94V-0.
TERMINAL A: COPPER ALLOY.
TERMINAL B: COPPER ALLOY.
SHELL: COPPER ALLOY.
- FINISH:
TERMINAL A & TERMINAL B:
CONTACT AREA: SELECTIVE GOLD PLATING.;
SOLDERING AREA: MATTE TIN PLATING 100 μ" THICKNESS MIN.;
UNDER PLATING: NICKEL PLATING 50 μ" THICKNESS MIN. OVERALL.
SHELL:
NICKEL PLATING 50 μ" THICKNESS MIN. OVERALL.
- THIS PRODUCT IS FOR WAVE SOLDERING ONLY.
- THIS PRODUCT DOESN'T CONTAIN ENVIRONMENTAL HAZARDOUS PER DIRECTIVE 2011/65/EU FOR RoHS COMPLIANT.
- PRODUCT SPECIFICATION REFER TO : PS-7530

REVISIONS				
SYM	ECN No.	DESCRIPTION	DATE	APPROVED
A	NE-14112	RELEASE REVISION	08/01/2014	Arron Lin

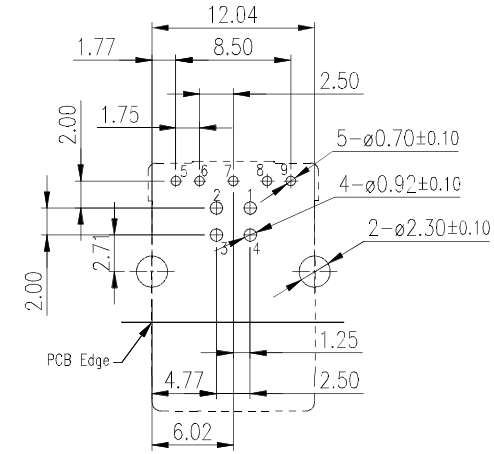
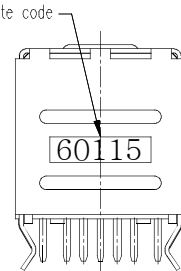
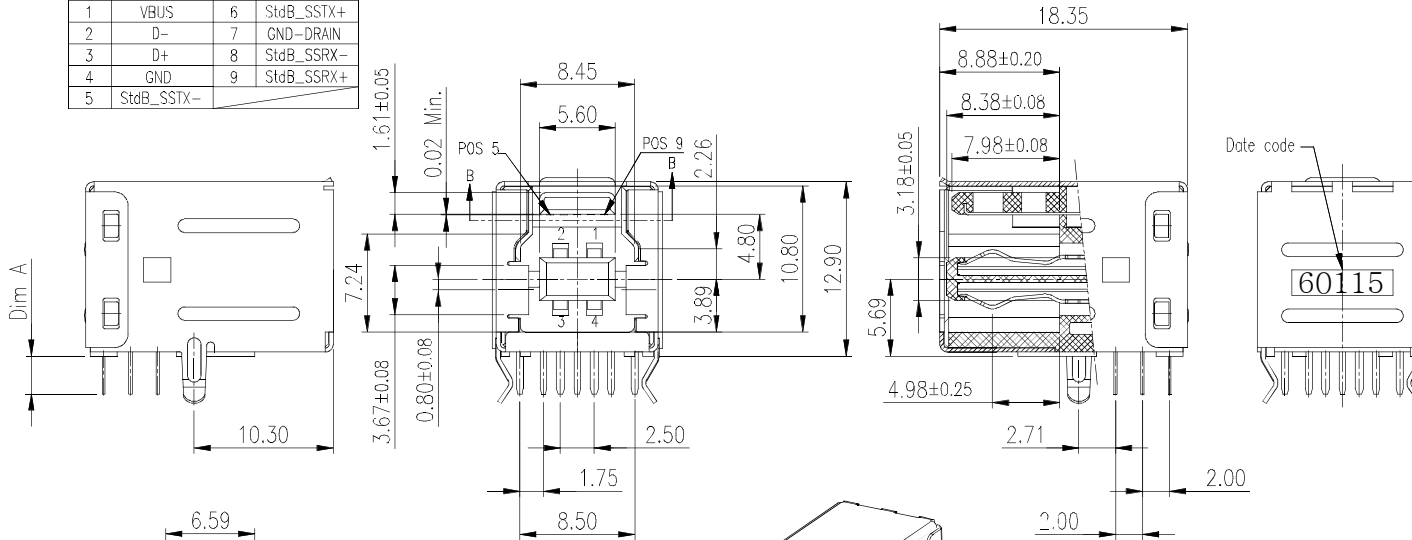
HOUSING: PBT
BAFFLE: NYLON66



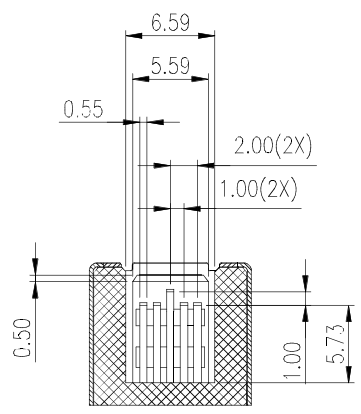
PART NO.	Dim A
GSB4211XX1WEU	2.80 MM
GSB4211XX2WEU	3.30 MM

DATE	CODE	DESCRIPTION
60115	E	Friday
11		Weeks
		Year
		Reserve

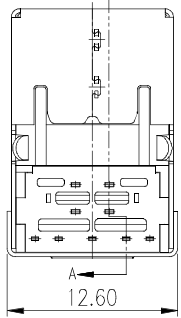
Pin Number	Signal Name	Pin Number	Signal Name
1	VBUS	6	StdB_SSTX+
2	D-	7	GND-DRAIN
3	D+	8	StdB_SSRX-
4	GND	9	StdB_SSRX+
5	StdB_SSTX-		



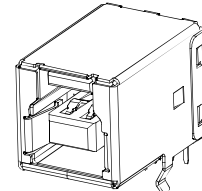
PCB Layout TOP View (T=1.60mm)



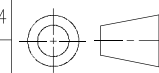
SECTION: B-B



SECTION: A-A



TOLERANCE	APPROVALS	DATE	TITLE		PART No.	
X. X.X X.XX X.XXX ±0.30 ±0.20 ±0.10	DRAWN Debby Hung	08/01/2014	USB 3.1 B TYPE RECEPTACLE RIGHT ANGLE, DIP TYPE		GSB4211XXXWEU	
	CHECKED Roger Tsai	08/01/2014				
	APPROVED Arron Lin	08/01/2014				
ANGULAR ±1°	DWG TYPE CUST DWG	PROJECT CODE OTHER	UNIT mm	SIZE A3	REV. A	
UNLESS OTHERWISE SPECIFIED			SCALE NA	SHEET 1 OF 2	DVG No. GSB4211XXXWEU	



This document is the property of Amphenol Corporation and is delivered on the express condition that it is not to be disclosed, reproduced or used, in whole or in part, for manufacture or sale by anyone other than Amphenol Corporation without its prior consent, and that no right is granted to disclose or to use any information in this document.

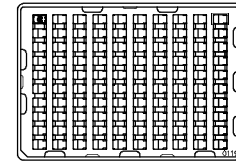
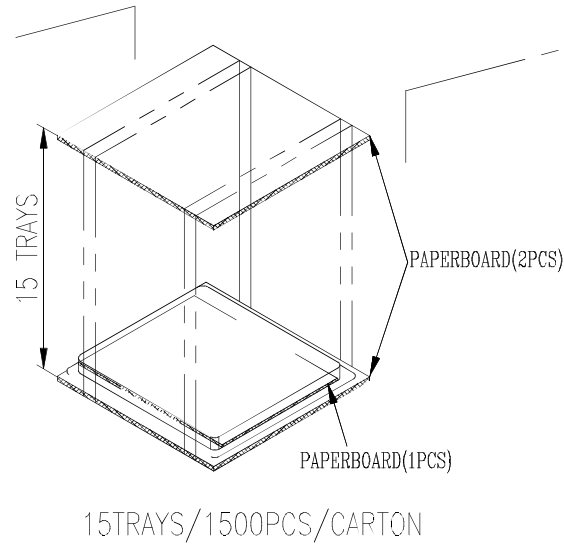
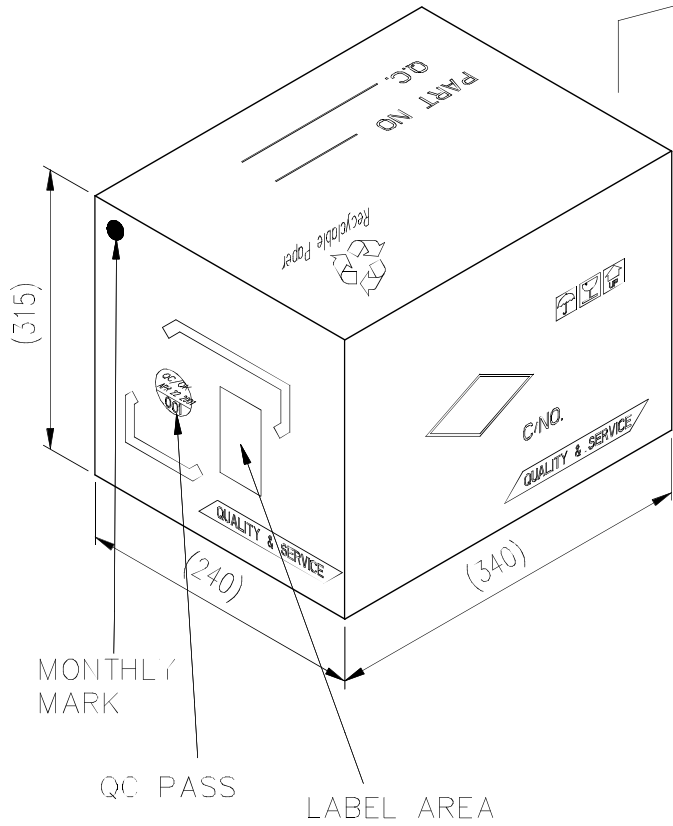
The marking on this product doesn't contain environmental hazardous materials per Material Specification SS-00259 for Sony GP compliant or per directive 2011/65/EU for RoHS compliant.



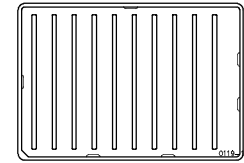
ORIGINAL



REVISIONS				
SYM	ECN No.	DESCRIPTION	DATE	APPROVED
A	NE-14112	RELEASE REVISION	08/01/2014	Arron Lin



TRAY



TRAY COVER

100PCS/TRAY

100	15	1500	8.3	7.0	GSB4211XXWU
PCS/TRAY	TRAYS/BOX	QUANTITY (PCS)	G/W (Kg)	N/W (Kg)	PART NUMBER

TOLERANCE	APPROVALS	DATE	TITLE			Amphenol®		
X. ±0.30	DRAWN Debby Hung	08/01/2014	USB 3.1 B TYPE RECEPTACLE RIGHT ANGLE, DIP TYPE			Amphenol Corporation Amphenol Taiwan Corporation		
>.XX ±0.20	CHECKED Roger Tsai	08/01/2014						
>.XXX ±0.10	APPROVED Arron Lin	08/01/2014						
ANGULAR ±1°	DWG TYPE CUST DWG	PROJECT CODE OTHER	UNIT mm	SIZE A3	PART No. GSB4211XXXWU			
UNLESS OTHERWISE SPECIFIED			SCALE NA	SHEET 2 OF 2	DWG No. GSB4211XXXWU	REV. A		

Mouser Electronics

Authorized Distributor

Click to View Pricing, Inventory, Delivery & Lifecycle Information:

[Amphenol:](#)

[GSB4211311WEU](#)