

KUOYUH

Circuit Breaker Thermal Protectors

KUOYUH®

Index

88 Series	Single pole Thermal Circuit Breaker	P2, P3
98 Series	Single pole Thermal Circuit Breaker	P4, P5
98H Series	Single pole Thermal Circuit Breaker	P6, P7
91 Series	Single pole Thermal Circuit Breaker	P8, P9
91L Series	Single pole Thermal Circuit Breaker	P10, P11
92 Series	Single pole Thermal Circuit Breaker	P12, P13
88A Series	Single pole Thermal Circuit Breaker	P14
94N Series	Thermal Circuit Breaker with Switch	P15
F88 Series	Single pole Thermal Circuit Breaker	P16
97 Series	Auto-reset Thermal protectors	P17
88D Series	Plugs with overload protectors	P18, P19
88AR	Auto-reset Thermal protectors	P20
98AR	Auto-reset Thermal protectors	P21
98HAR	Auto-reset Thermal protectors	P22
AR Series	SAE J553 Thermal Breaker	P23, P24
AR2	SAE J553 Auto-reset Thermal Breaker	P25
AR6	SAE J553 Auto-reset Thermal Breaker	P26
102 Series	SAE J553 Thermal Breaker	P27
16 Series	SAE J553 Thermal Breaker	P28
ATTACHMENT		P29, P30

設備 EQUIPMENT



Laboratory

實驗室



Production equipment

生產設備



Measuring instrument

量測儀器



Factory

自有廠房



88 Series Thermal Circuit Breaker

Single Pole Push to Reset



•Technical data

- Current rating range 3~30A
- Input voltage rating 125/250VAC; 32/50VDC
- Interrupting Capacity 125/250VAC x 1,000A(UL 1077)
- Typical life 1,000 operations at 200% overload.
- Insulation co-ordination Rated impulse withstand voltage 2.5kV
- Dielectric Strength > 1.500VAC/min.
- Insulation Resistance >100MOHM (DC 500V)
- Degree of protection Terminal area IP00, operating area IP40



•Mechanical/Environmental Data

- Operating Ambient Temperature: -10°C to +60°C
- Termination: 250*(6.35mm) quick connects or solder terminals
- Mounting: Various options. See Ordering Information and drawings



•Compliance with Rohs

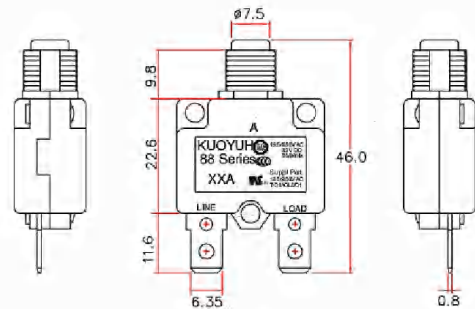
The product accords with the requirement of ROHS (2011/65/EU)
Contacts use Exempted item of RoHS Directive 2010/571/EU 8(a)

•Compliance with REACH, PAHS, PH1, PH2, PH3

• Ignition Proof Yes, UL PEQ22.E155159

•Typical applications

Transformers, Motors, Battery chargers, Power supplies, appliances, extra low voltage systems, machinery.

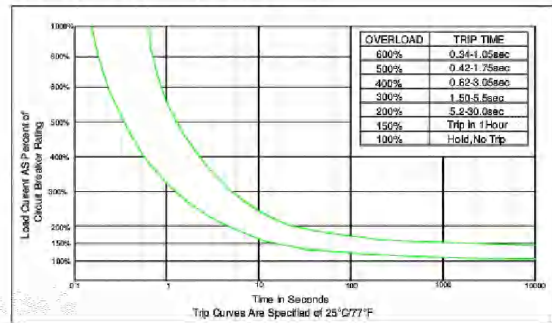


* Dimension in mm:

•Calibration(at25°C)

- 100% of Rated Current: Hold, No Trip
- 150% of Rated Current: Trip Within 1 Hour.
- 200% of Rated Current: 5-30 sec Trip
- 300% of Rated Current: 1.5-5.0 sec Trip

•88 Series 3A-30A Trip Time Curves



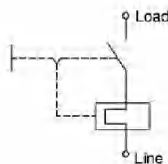
•Approval

Approval & File No.	Rated current	Rated voltage
-CUL UL E155159	3-30A	125/250VAC; 50VDC
-TUV SUD B15 09 58611 007	3-20A	125/250VAC; 32VDC
-CCC 201101030752058	3-20A	125/250VAC.
-VDE 40036160	3-16A	125/250VAC
-CSA 102199	3-16A	125VAC

•Max. Internal Resistance

Amp rating	Max resistance
3.0 - 5.0Amp	<0.225 Ohms
6.0 - 8.0Amp	<0.175 Ohm
9.0 - 12.0Amp	<0.125 Ohm
13.0 - 16.0Amp	<0.050 Ohm
17.0 - 20.0Amp	<0.040 Ohm
21.0 - 25.0Amp	<0.030 Ohm
25.0 - 30.0Amp	< 0.020 Ohm

•Internal connection diagram



•Ambient Temperature Correction Factor

Ambient temperature	-10°C	0°C	10°C	25°C	35°C	40°C	50°C	60°C
Multiplication factor	*1.30	*1.20	*1.10	1.00	*0.94	*0.85	*0.73	*0.68

The time/current characteristic curve depends on the ambient temperature prevailing. In order to eliminate nuisance tripping, please multiply the circuit breaker current ratings by the derating factor shown below.

Example : Normal Continuous Current = 10A
Ambient Temperature = 45°C
Multiplication Factor = 0.85
Recommended Rating = 10A/0.85 = 11.8A
Select the Nearest Rating = 12A

* The specification subject to change without notice. The drawing is for reference only.



Order Guide	88-	12-	A1	B	1	4-	P	0	0	N	B
Series No.											
Amp Rating.	(Table A)										
Bushing Type.	(Table B)										
Color of Button.	(Table C)										
Terminal Type.	(Table D)										
Voltage.	1=UL& CSA 125Vac, 2=TUV & CCC 250Vac, 3=1+2 125/250Vac, 4=UL+TUV+CCC 125/250Vac, 5=VDE, 6=Client designation, 8=UL 125/250Vac, 50Vdc, 9=VDE 125/250Vac, 9=CSA 125Vac US type										
Mounting Nut Type.	(Table E)										
Waterproof Type.	(Table F)										
Nameplate Type.	(Table G)										
Terminal Finish.	S=Plate with Tin N=Plate with Nickel 0=No plate										
Body Type.	B=Black W=White										

03= 3.0A	12= 12.0A
3.5= 3.5A	13= 13.0A
04= 4.0A	15= 15.0A
05= 5.0A	16= 16.0A
06= 6.0A	17= 17.0A
07= 7.0A	18= 18.0A
08= 8.0A	20= 20.0A
09= 9.0A	22= 22.0A
10= 10.0A	25= 25.0A
11= 11.0A	30= 30.0A

P1 Plastic M11XP1.0	P2 Plastic M12XP1.0	P3 Plastic 3/8"-27T	P4 Plastic No Insert
KF Plastic Strip In	PS Plastic Strip In	AW White Plastic No Insert	P0 Plastic No Insert
A1 Metal M11XP1.0	B1 Metal M11XP1.0	A3 Metal 3/8"-27T	B3 Metal 3/8"-27T

Table F Waterproof Type

Table E Mounting Nut Type

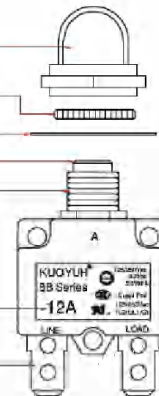
Table G Nameplate Type

Table C Button Type

Table B Bushing Type

Table A Standard Rating

Table D Terminal Type



P1, A1, B1	A2, P2	P3, A2, B3	AW, AB	P0	PS, KF
-------------------	---------------	-------------------	---------------	-----------	---------------

B = Black button (黑按钮)	W = White button (白按钮)	R = Red button (红按钮)
Normal Amp stamp: Amps-white	Normal Amp stamp: Amps-black	NORMAL AMP STAMP: Amps-white
1	5	6
7	8	9
X	Y	Z

0 None	P Plastic	Q Plastic	A Metal	B Metal	C Metal	4 Metal	5 Metal	6 Metal
---------------	------------------	------------------	----------------	----------------	----------------	----------------	----------------	----------------

0 None	R	M	V	F	T	U
---------------	----------	----------	----------	----------	----------	----------

0 None	B Black plate	A Black plate	S Black plate	C Black plate	L Black plate
W White plate	X White plate	For 3/8"-27T	For Waterproof		

1 Straight 11.2mm	2 90° bend	3 90° bend	4 Live pin Straight 10.0mm	5 Live pin 90° bend 10.0mm	6 Straight 8.0mm	7 Live pin 90° bend 10.0mm	8 45° bend 10	9 45° bend 10mm	X Straight 4.0mm	F Mount 6.0mm	L Screw 90° bend 10	J Screw 90° bend 10mm	G Live pin Screw 10.0mm	K Live pin 90° bend 10.0mm	H Live pin 90° bend 10.0mm
--------------------------	-------------------	-------------------	-----------------------------------	-----------------------------------	-------------------------	-----------------------------------	----------------------	------------------------	-------------------------	----------------------	----------------------------	------------------------------	--------------------------------	-----------------------------------	-----------------------------------

* The layout is subject to change without notice. This drawing is for reference only.

KUOYUH W.L. Enterprise Co., Ltd.
 No.17 Kuo-Hsi Road, Duzhuo City, Taichung Area 43007, Taiwan, R.O.C.
 http://www.kuoyuh.com.tw sales@kuoyuh.com
 Taiwan Tel: 886 5 551 3222 Fax: 886 5 551 3330
 China Tel: 86 769 8366 8388 Fax: 86 769 8366 8382
 Issue: F1
 Date: 2017.02.20



64057 雲林縣斗六市科加六路17號



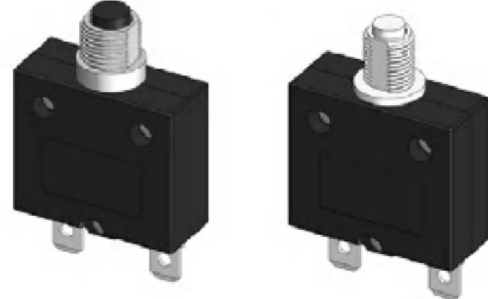
98 Series Thermal Circuit Breaker

Single Pole Push to Reset



•Technical data

- Current rating range 5~30A
- Input voltage rating 125/250VAC; 32/50VDC
- Interrupting Capacity 125/250VAC x 1,000A(UL 1077)
- Typical life 1,000 operations at 200% overload.
- Insulation co-ordination Rated impulse withstand voltage 2.5kV
- Dielectric Strength > 1,500VAC/min.
- Insulation Resistance >100MOHM (DC 500V)
- Degree of protection Terminal area IP00, operating area IP40



•Mechanical/Environmental Data

- Operating Ambient Temperature: -10°C to +60°C
- Termination; 250"(6.35mm) quick connects or solder terminals
- Mounting: Various options. See Ordering Information and Drawings

•Compliance with Rohs

The product accords with the requirement of ROHS(2011/65/EU)
Contacts use Exempted item of RoHS Directive 2010/571/EU 8(a)

•Compliance with REACH, PAHS, PH1, PH2, PH3

- Ignition Proof Yes, UL PEQ22.E155159

•Typical applications

Transformers, Motors, Battery chargers, Power supplies, appliances, extra low voltage systems, machinery.

•Calibration(at25°C)

- 100% of Rated Current: Hold , No Trip
- 150% of Rated Current: Trip Within 1 Hour.
- 200% of Rated Current: 5-30 sec Trip
- 300% of Rated Current: 1.5-5.0 sec Trip

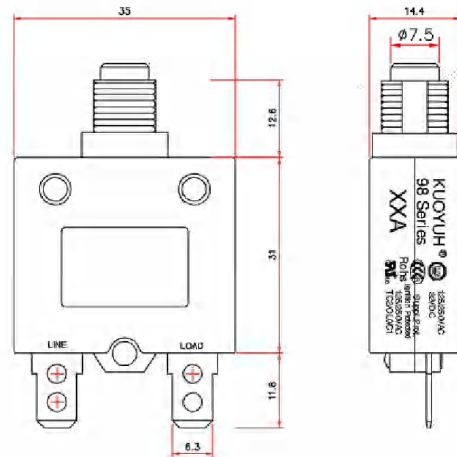
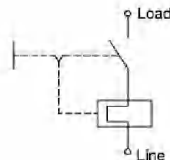
•Approval

Approval & File No.	Rated current	Rated voltage
•CUL UL E155159	3-50A	125/250VAC; 50VDC
•TUV SUD B15 09 58611 007	3-30A	125/250VAC; 32VDC
•CCC 201101030752058	3-30A	125/250VAC
•VDE 40036180	3-16A	125/250VAC
•CSA 102199	3-30A	125VAC

•Max. Internal Resistance

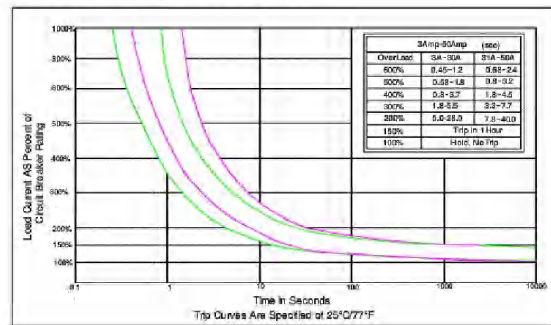
Amp rating	Max resistance
3-5 A	<0.225 Ohms
6-9 A	<0.175 Ohms
9-11 A	<0.125 Ohms
12-13 A	<0.050 Ohms
14-17 A	<0.040 Ohms
18-24 A	<0.030 Ohms
25-35 A	<0.020 Ohms
36-50 A	<0.010 Ohms

•Internal connection diagram



* Dimension in mm:

•98 Series 3A-50A Trip Time Curves



•Ambient Temperature Correction Factor

Ambient temperature	-10°C	0°C	10°C	25°C	35°C	40°C	50°C	60°C
Multiplication factor	*1.30	*1.20	*1.10	1.00	*0.94	*0.85	*0.73	*0.68

The time/current characteristic curve depends on the ambient temperature prevailing. In order to eliminate nuisance tripping, Please multiply the circuit breaker current ratings by the derating factor shown below.

Example : Normal Continuous Current = 10A
Ambient Temperature = 45°C
Multiplication Factor = 0.85
Recommended Rating= 10A/0.85=11.8A
Select the Nearest Rating = 12A

* The specification subject to change without notice. The drawing is for reference only.

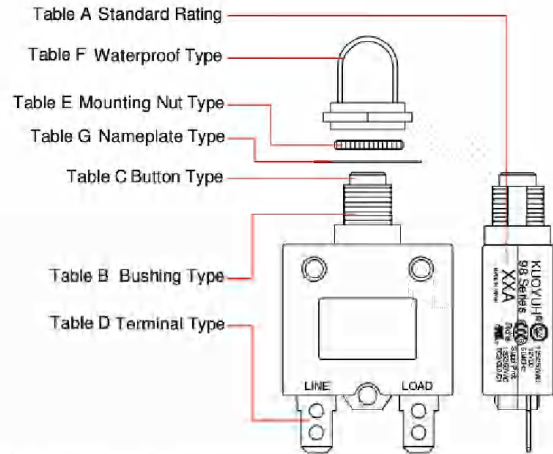




Order Guide	98- 20- A1 B 1 4- P 0 0 N B
Series No.	
Amp Rating.	(Table A)
Bushing Type.	(Table B)
Color of Button.	(Table C)
Terminal Type.	(Table D)
Voltage.	1=UL/CSA 125Vdc; 2=TUV & IEC 250Vac; 3=1+2 125/250Vac; 4=UL-TUV+IEC 125/250Vac/32Vdc; 5=UL/CSA designation; 6=UL 125/250Vac/50Vdc; 8=VDE 125/250Vac; 9=CSA 125Vac U3 type
Mounting Nut Type.	(Table E)
Waterproof Type.	(Table F)
Nameplate Type.	(Table G)
Terminal Finish.	S=Plate with Tin N=Plate with Nickel 0=No plate
Body Type.	B=Black W=White

03= 3.0A	13= 13.0A
3.5= 3.5A	15= 15.0A
04= 4.0A	16= 16.0A
05= 5.0A	17= 17.0A
06= 6.0A	18= 18.0A
07= 7.0A	20= 20.0A
08= 8.0A	25= 25.0A
09= 9.0A	30= 30.0A
10= 10.0A	35= 35.0A
11= 11.0A	40= 40.0A
12= 12.0A	50= 50.0A

A1 Metal M11XP1.0	B1 Metal M11XP1.0	A2 Metal M12XP1.0	A3 Metal 3/8"-27T
B3 Metal 3/8"-27T	B7 Metal 7/16"-27T	P1 Plastic M11XP1.0	P2 Plastic M12XP1.0
P3 Plastic 3/8"-27T	PS Plastic Snap in	KF Plastic Snap in	
P1,A1,B1	A2,P2	P3,A3,B3	PS,KF
B7			



U None	P Plastic	Q Plastic	A Metal	B Metal	C Metal	4 Metal	5 Metal	6 Metal
---------------	------------------	------------------	----------------	----------------	----------------	----------------	----------------	----------------

B = Black button (黑色類)	W = White button (白色類)	R = Red button (紅色類)
1	5	8
7	8	9
X	Y	Z

0 None	R	M	V	F	U
---------------	----------	----------	----------	----------	----------

0 None	R Black plate	A Black plate	S Black plate	L Black plate
	W White plate		X White plate	

1 Straight 11.0mm	2 90° bend	3 90° bend	4 11.0mm 90° bend	5 11.0mm 90° bend	8 45° bend up	9 45° bend down	F Screw Straight #8-32	L Screw 90° bend up #8-32	J Screw 90° bend down #8-32	G 11.0mm 90° bend	K 11.0mm 90° bend	H 11.0mm 90° bend
--------------------------	-------------------	-------------------	--------------------------	--------------------------	----------------------	------------------------	-------------------------------	----------------------------------	------------------------------------	--------------------------	--------------------------	--------------------------

* The specification subject to change without notice. The drawing is for reference only.

KUOYUH W.L. Enterprise Co., Ltd.
 No.17 Kuoia 10th Road, Duzhuo City, Taichung, Taiwan, R.O.C.
 http://www.kuoyuh.com.tw sales@kuoyuh.com
 Taiwan Tel: 886 5 551 3222 Fax: 886 5 551 3030
 China Tel: 86 789 8366 8368 Fax: 86 789 8366 8382
 Issue: F1
 Date: 2017.02.20





98H Series Thermal Circuit Breaker

Single Pole Push to Reset

•Technical data

- Current rating range 40~80A
- Input voltage rating 125/250VAC; 50VDC
- Interrupting Capacity 125/250VAC x 1,000A(UL 1077)
- Typical life 500 operations at 200% overload.
- Insulation co-ordination Rated impulse withstand voltage 2.5kV
- Dielectric Strength >1,500VAC/min.
- Insulation Resistance >100MOHM (DC 500V)
- Degree of protection Terminal area IP00, operating area IP40

•Mechanical/Environmental Data

- Operating Ambient Temperature: -10°C to +60°C
- Termination; Thickness 1.5mm; 10/24 unc Screwa. Nickle of plated
- Mounting: Various options. See Ordering Information and drawings

•Compliance with Rohs

The product accords with the requirement of ROHS(2011/65/EU)
Contacts use Exempted item of RoHS Directive 2010/571/EU 8(a)

•Compliance with REACH, PAHS, PH1, PH2, PH3

•Typical applications

Transformers, Motors, Battery chargers, Power supplies, appliances, extra low voltage systems, machinery.

•Calibration(at25°C)

- 100% of Rated Current: Hold , No Trip
- 150% of Rated Current: Trip Within 1 Hour.
- 200% of Rated Current: 5-38 sec Trip
- 300% of Rated Current: 3.0-7.5 sec Trip

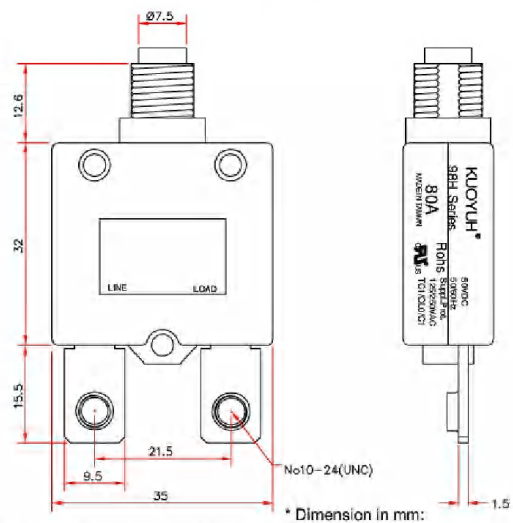
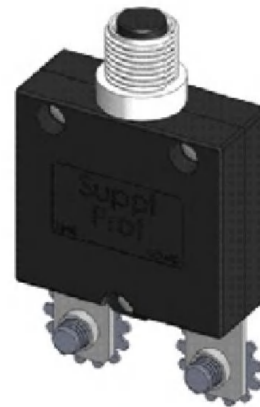
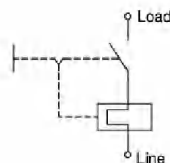
•Approval

- Approval & File No. Rated current Rated voltage
- CUL UL E155159 40-80A 125/250VAC; 50VDC

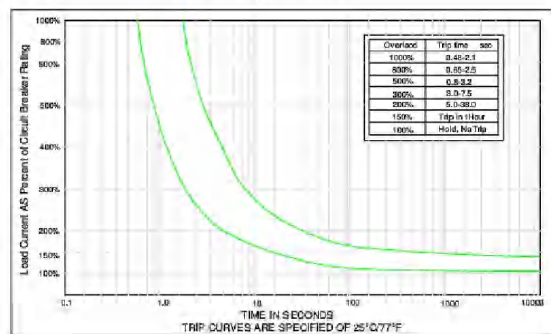
•Max. Internal Resistance

Amp rating	Max resistance
40~45 A	<0.050 Ohms
50-60 A	<0.040 Ohms
70 A	<0.030 Ohms
80 A	< 0.020 Ohms

•Internal connection diagram



•98H Series 40~80A Trip Curves



•Ambient Temperature Correction Factor

Ambient temperature	-10°C	0°C	10°C	25°C	35°C	40°C	50°C	60°C
Multiplication factor	*1.30	*1.20	*1.10	1.00	*0.94	*0.86	*0.73	*0.68

The time/current characteristic curve depends on the ambient temperature prevailing. In order to eliminate nuisance tripping, Please multiply the circuit breaker current ratings by the derating factor shown below.

Example : Normal Continuous Current = 10A
Ambient Temperature = 45°C
Multiplication Factor = 0.85
Recommended Rating = 10A/0.85=11.5A
Select the Nearest Rating = 12A

* The specification subject to change without notice. This drawing is for reference only.

KUOYUH W.L. Enterprise Co., Ltd.
No. 17 Kolia 8th Road Dashi City Yunlin Hsien 64007 Taiwan R.O.C.
http://www.kuoyuh.com.tw sales@kuoyuh.com
Taiwan Tel: 863 5 551 3222 Fax: 866 5 551 3030
China Tel: 86 769 8386 6369 Fax: 86 769 8386 6382
Issue: F1
Date: 2017.02.20



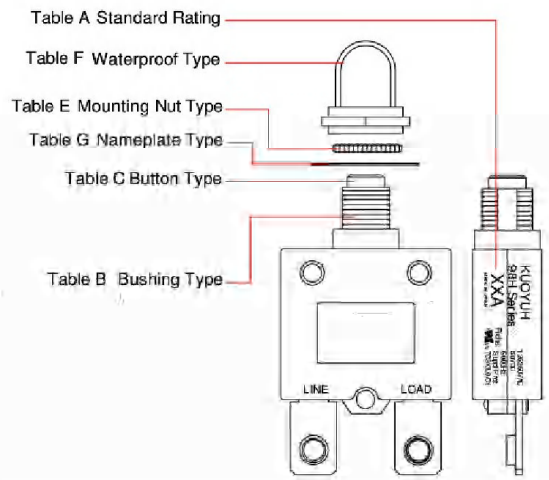


Order Guide	98H -80- A1 B F 4- P 0 0
Series No.	
Amp Rating.	40-40A, 50-50A, 60-60A, 70-70A, 80-80A
Bushing Type.	(Table B)
Color of Button.	(Table C)
Terminal Type.	
Voltage.	4=CUL 125/250Vac, 50VDC
Mounting Nut Type.	(Table E)
Waterproof Type.	(Table F)
Nameplate Type.	(Table G)

Bushing Type (Table B)

A1 Metal M11XP1.0	B1 Metal M11XP1.0	A2 Metal M12XP1.0	A3 Metal 3/8"-27T
B3 Metal 3/8"-27T	B7 Metal 7/16"-27T	P1 Plastic M11XP1.0	P2 Plastic M12XP1.0

P1,A1,B1	A2,P2	A2,B3	B7
-----------------	--------------	--------------	-----------



Mounting Nut Type (Table E)

Q None	P Plastic Integrated Knut nut	Q Plastic Knut nut	A Metal Knut nut	B Metal Hex nut M11 1/4-14 M12 1/4-16	C Metal Model	4 Plastic Model	5 Metal Model	6 Plastic Model
---------------	--------------------------------------	---------------------------	-------------------------	--	----------------------	------------------------	----------------------	------------------------

Button Type (Table C)

B = Black button (黑按鈕) **W** = White button (白按鈕) **R** = Red button (紅按鈕)

1	5	6
----------	----------	----------

Waterproof Type (Table F)

Q None	R #12.0x0.5	F #13.0x0.5	V #12.0x0.5	U #11.0x0.5	C #11.0x0.5
---------------	--------------------	--------------------	--------------------	--------------------	--------------------

Nameplate Type (Table G)

Q None	B Black plate	A Black plate	S Black plate	A Black plate
W White plate	X White plate			

* The specification is subject to change without notice. The drawing is for reference only.

KUOYUH W.L. Enterprise Co., Ltd.
 No. 17 Kijia Rd., Neidao District, Taipei City, Taiwan 11002
 http://www.kuoyuh.com.tw sales@kuoyuh.com
 Taiwan Tel: 866 5 351 3222 Fax: 866 5 351 3030
 China Tel: 86 769 8386 6389 Fax: 86 769 8386 6382
 Issue: F1
 Date: 2017.02.20





91 Series Thermal Circuit Breaker

Single Pole Push to Reset



•Technical data

- Current rating range 0.5~10A
- Input voltage rating 125/250VAC; 50VDC
- Interrupting Capacity 125/250VAC x 1,000A(UL 1077)
- Typical life 1,000 operations at 200% overload.
- Insulation co-ordination Rated impulse withstand voltage 2.5kV
- Dielectric Strength > 1,500VAC/min.
- Insulation Resistance >100MOHM (DC 500V)
- Degree of protection Terminal area IP00, operating area IP40



•Mechanical/Environmental Data

- Operating Ambient Temperature: -10°C to +60°C
- Termination; 110"(2.8mm) quick connects or solder terminals
- Mounting: Various options. See Ordering Information and Drawings

•Compliance with Rohs

The product accords with the requirement of ROHS(2011/65/EU)
Contacts use Exempted item of RoHS Directive 2010/571/EU 8(a)

•Compliance with REACH, PAHS, PH1, PH2, PH3

•Typical applications

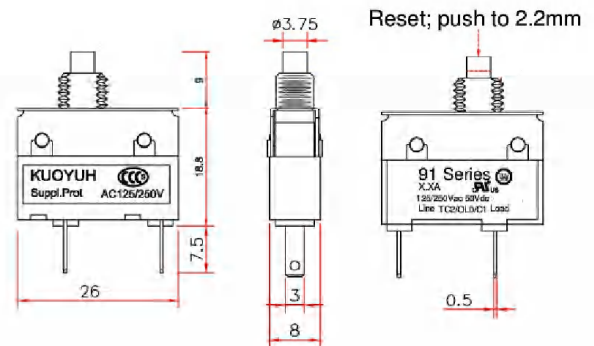
Transformers, Motors, Battery chargers, Power supplies, appliances, extra low voltage systems, machinery.

•Calibration(at25°C)

- 100% of Rated Current: Hold , No Trip
- 150% of Rated Current: Trip Within 1 Hour.
- 175% of Rated Current: 2.0-10.0 sec Trip
- 200% of Rated Current: 1.1-5.0 sec Trip

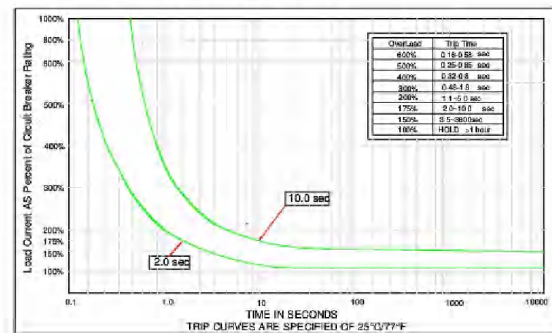
•Approval

Approval & File No.	Rated current	Rated voltage
CUL UL E155159	0.5-10.0A	125/250VAC; 50VDC
TUV SUD B150153611006	0.5-10.0A	125/250VAC; 50VDC
CCC 2011101030752058	1.0-10.0A	125/250VAC.
VDE 40036180	1.0-10.0A	125/250VAC.



* Dimension in mm:

•91 Series 0.5~10A Trip Curves

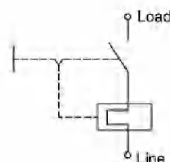


•Max. Internal Resistance

Rated current	Max. Internal Resistance
1.0A or less	400mOhms or less
1.25A or more	200mOhms or less

- <1>Rated current: 1.0A or less 400mOhms or less.
- <2>Rated current: 1.25A or more 200mOhms or less.

•Internal connection diagram



•Ambient Temperature Correction Factor

Ambient temperature	-10°C	0°C	10°C	25°C	35°C	40°C	50°C	60°C
Multiplication factor	*1.30	*1.20	*1.10	1.00	*0.94	*0.85	*0.73	*0.68

The time/current characteristic curve depends on the ambient temperature prevailing. In order to eliminate nuisance tripping. Please multiply the circuit breaker current ratings by the derating factor shown below.

Example : Normal Continuous Current = 10A
Ambient Temperature = 45°C
Multiplication Factor = 0.85
Recommended Rating = (10A/0.85)=11.8A
Select the Nearest Rating = 12A

* The specification is subject to change without notice. This drawing is for reference only.

KUOYUH W.L. Enterprise Co., Ltd.
No. 17 Kofu 8th Road Dashi City Tainan Hsien 70807 Taiwan R.O.C
http://www.kuoyuh.com.tw sales@kuoyuh.com
Taiwan Tel: 866 5 551 3222 Fax: 866 5 551 3030
China Tel: 86 789 8386 6389 Fax: 86 789 8386 6382
Issue-A0
Date: 2017.02.20





Order Guide	91- Series No.	A Type of Button 按鍵規格	N Fitting Plate 固定方式	R Color of Button 按鍵顏色	- 2.5A Rating Amp 電流額定	- 0 Terminal Type 端子種類	0 Terminal Finish 端子處理
		 			0.5A 0.6A 0.7A 0.8A 1.0A 1.25A 1.4A 1.5A 1.6A 1.75A 2.0A 2.25A 2.5A 2.75A 3.0A 3.15A 3.3A 3.5A 3.75A 4.0A 4.5A 5.0A 5.5A 6.0A 6.3A 6.5A 7.0A 7.5A 8.0A 9.0A 10.0A		
		N type 					
		P type 					
		T type 					
		M type 					
		R= Red, B= Black, V= Violet G= Gray, Y= Yellow, U= Blue, O= Orange,					
		 0 type	 2 type	 Y type			
		 L type	 B type	 4 type			
		0= Plate with Tin, N= Plate with Nickel					

* The specification subject to change without notice. This drawing is for reference only.

KUOYUH W.L. Enterprise Co., Ltd.
 No. 17 Koga 8th Road Duzhu, City Yanchi, Hsinchu 30007, Taiwan R.O.C.
<http://www.kuoyuh.com.tw> sales@kuoyuh.com
 Taiwan Tel: 866 5 551 3222 Fax: 866 5 551 3030
 China Tel: 86 769 8386 6369 Fax: 86 769 8386 6362
 Issue-A0
 Date: 2017.02.20





91L Series Thermal Circuit Breaker

Single Pole Push to Reset



•Technical data

- Current rating range 2~20A
- Input voltage rating 125/250VAC; 50VDC
- Interrupting Capacity 125/250VAC x 1,000A(UL 1077)
- Typical life 1,000 operations at 200% overload.
- Insulation co-ordination Rated impulse withstand voltage 2.5kV
- Dielectric Strength > 1,500VAC/min.
- Insulation Resistance >100MOHM (DC 500V)
- Degree of protection Terminal area IP00, operating area IP40



•Mechanical/Environmental Data

- Operating Ambient Temperature: -10°C to +60°C
- Termination: 250"(6.35mm) quick connects or solder terminals
- Mounting: Various options. See Ordering Information and drawings

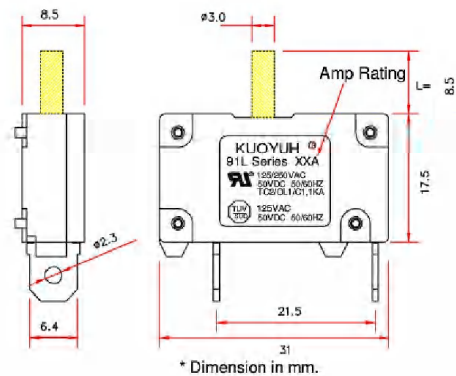
•Compliance with Rohs

The product accords with the requirement of ROHS(2011/65/EU)
Contacts use Exempted item of RoHS Directive 2010/571/EU 8(a)

•Compliance with REACH, PAHS, PH1, PH2, PH3

•Typical applications

Transformers, Motors, Battery chargers, Power supplies, appliances, extra low voltage systems, machinery.



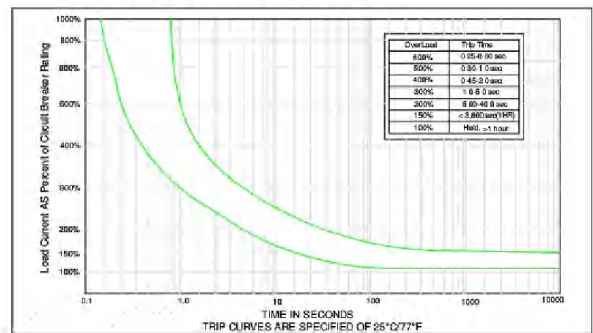
•Calibration(at25°C)

- 100% of Rated Current: Hold , No Trip
- 150% of Rated Current: Trip Within 1 Hour.
- 200% of Rated Current: 5.00-40.0 sec Trip
- 300% of Rated Current: 1.0-5.0 sec Trip

•Approval

Approval & File No.	Rated current	Rated voltage
CUL UL E155159	2-20A	125/250VAC; 50VDC
TUV SUD B150158611006	5-20A	125VAC; 50VDC

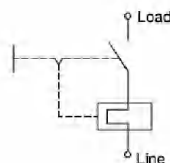
•91L Series 2A~20A Trip Time Curves



•Max. Internal Resistance

2.0-5.0Amp	<0.450 ohms
5.1-7.0Amp	<0.150 ohms
7.1-10.0Amp	<0.105 ohms
10.1-12.0Amp	<0.075 ohms
12.1-15.0Amp	<0.055 ohms
15.1-17.0Amp	<0.035 ohms
17.1-20.0Amp	<0.025 ohms

•Internal connection diagram



•Ambient Temperature Correction Factor

Ambient temperature	-10°C	0°C	10°C	25°C	35°C	40°C	50°C	60°C
Multiplication factor	*1.30	*1.20	*1.10	1.00	*0.94	*0.85	*0.73	*0.68

The time/current characteristic curve depends on the ambient temperature prevailing. In order to eliminate nuisance tripping, please multiply the circuit breaker current ratings by the derating factor shown below.

Example : Normal Continuous Current = 10A
Ambient Temperature = 45°C
Multiplication Factor = 0.85
Recommended Rating=10A/0.85=11.8A

* The specification subject to change without notice. This drawing is for reference only.

KUOYUH®

Order Guide	91L	- 10A -	D	Y	N	Q	6	N
後列號	Series No.	Rating Amp	Button Length	Button Color	Bracket Type	Nut Type	Terminal Type	Terminal Finish
電流額定	2A.....20A							
按鍵長度								
推桿顏色	Y=Yellow R=Red							
固定方式								
螺母配件	N =None	P Type (Plastic 18.5) P1=M11*P1.0 P3=3/8'-27t	Q Type (Plastic 14.5) Q1=M11*P1.0 Q3=3/8'-27t	B Type (Metal 14.0) B1=M11*P1.0 B3=3/8'-27t	S Type (Metal 12.0) S3=3/8'-27t			
端子種類	6=6.35mm; 0.25" TAB							
	4=4.8mm; 0.187" TAB							
端子電鍍	S=Plate with Tin							
	N=Plate with Nickel							

* The specification subject to change without notice. The drawing is for reference only.

KUOYUH W.L. Enterprise Co., Ltd.
No. 17, Keelung Road, Duzhuo, City Yancheng, Hainan 54887, Taiwan R.O.C.
http://www.kuoyuh.com.tw sales@kuoyuh.com
Taiwan Tel: 866 5 551 3222 Fax: 866 5 551 3030
China Tel: 86 769 8386 6389 Fax: 86 769 8386 6382
Issue-A0
Date: 2017.02.20

KUOYUH
國都企業股份有限公司
64567 崙崙路 17 號 1 樓 1 號

KUOYUH®

92 Series Thermal Circuit Breaker

Single Pole Push to Reset



•Technical data

- Current rating range 2~20A
- Input voltage rating 125/250VAC; 50VDC
- Interrupting Capacity 125/250VAC x 1,000A(UL 1077)
- Typical life 1,000 operations at 200% overload.
- Insulation co-ordination Rated impulse withstand voltage 2.5kV
- Dielectric Strength > 1,500VAC/min.
- Insulation Resistance >100MOHM (DC 500V)
- Degree of protection Terminal area IP00, operating area IP40



•Mechanical/Environmental Data

- Operating Ambient Temperature: -10°C to +60°C
- Termination: 250"(6.35mm) quick connects or solder terminals
- Mounting: Various options. See Ordering Information and drawings
- Panel Cutout:



•Compliance with Rohs

The product accords with the requirement of ROHS (2011/65/EU). Contacts use Exempted item of RoHS Directive 2010/571/EU 8(a)

•Compliance with REACH, PAHS, PH1, PH2, PH3

•Typical applications

Transformers, Motors, Battery chargers, Power supplies, appliances, extra low voltage systems, machinery.

•Calibration(at25°C)

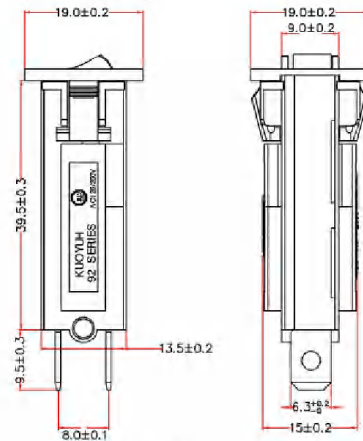
- Rated: 0.25~2.5A
- 100% of Rated Current: Hold, No Trip
- 150% of Rated Current: Trip Within 1 Hour.
- 200% of Rated Current: 7.5-52 sec Trip
- 300% of Rated Current: 2.85-10 sec Trip

- Rated: 3~16A
- 100% of Rated Current: Hold, No Trip
- 135% of Rated Current: Trip Within 1 Hour.
- 200% of Rated Current: 5.2-30.0 sec Trip
- 300% of Rated Current: 1.5-5.0 sec Trip

•Approval

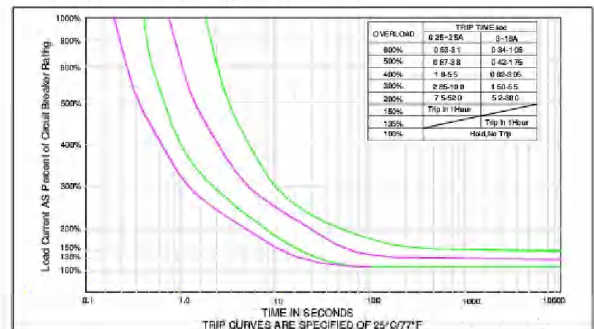
Approval & File No.	Rated current	Rated voltage
•CUL UL E155159	0.25-16A	125/250VAC; 50VDC
•TUV SUD B150158611006	0.25-16A	125/250VAC
•CCC	0.5-16A	125/250VAC
•VDE	0.5-16A	125/250VAC

ON (Contacts Close)



* Dimension in mm.

•92 Series 0.25~16A Trip Time Curves



•Ambient Temperature Correction Factor

Ambient temperature	-10°C	0°C	10°C	25°C	35°C	40°C	50°C	60°C
Multiplication factor	*1.30	*1.20	*1.10	1.00	*0.94	*0.85	*0.73	*0.68

The time/current characteristic curve depends on the ambient temperature prevailing. In order to eliminate nuisance tripping, please multiply the circuit breaker current ratings by the derating factor shown below.

Example : Normal Continuous Current = 10A
 Ambient Temperature = 45°C
 Multiplication Factor = 0.85
 Recommended Rating = 10A/0.85=11.8A

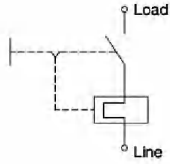
* The specification subject to change without notice. This drawing is for reference only.

KUOYUH

•Max. Internal Resistance

0.25-0.5Amp	<0.450 ohms
2.0-5.0Amp	<0.450 ohms
2.0-5.0Amp	<0.450 ohms
2.0-5.0Amp	<0.450 ohms
5.1-7.0Amp	<0.150 ohms
7.1-10.0Amp	<0.105 ohms
10.1-12.0Amp	<0.075 ohms
12.1-15.0Amp	<0.055 ohms
15.1-16.0Amp	<0.035 ohms

•Internal connection diagram



•92 Series Order Guide

Order Guide	92 - Series No.	1200 - Amp Rating	B Color of Button	G Color of Cover	6 Terminal Type	N Terminal Finish
0025= 0.25A	0250= 2.5A	0750= 7.5A				
0050= 0.5A	0300= 3.0A	0800= 8.0A				
0075= 0.75A	0320= 3.2A	0900= 9.0A				
0100= 1.0A	0350= 3.5A	1000=10.0A				
0125= 1.25A	0400= 4.0A	1100=11.0A				
0150= 1.5A	0450= 4.5A	1200=12.0A				
0175= 1.75A	0500= 5.0A	1300=13.0A				
0200= 2.0A	0600= 6.0A	1500=15.0A				
0225= 2.25A	0700= 7.0A	1600=16.0A				
<p>B=Black(黑色)</p>						
<p>B=Black(黑色) G=Gray(灰色)</p>						
<p>6=250" quick connects Straight</p>						
<p>1=250" quick connects 90° bend</p>						
<p>2=250" quick connects 45° bend</p>						
<p>S = Plate with Tin N = Plate with Nickel</p>						

* The specification subject to change without notice. This drawing is for reference only.



88A Series Thermal Circuit Breaker

Single Pole Push to Reset

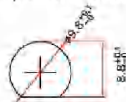
•Technical data

- Current rating range 3~16A
- Input voltage rating 125/250VAC; 50VDC
- Interrupting Capacity 125/250VAC x 1,000A(UL 1077)
- Typical life 1,000 operations at 200% overload.
- Insulation co-ordination Rated impulse withstand voltage 2.5kV
- Dielectric Strength > 1,500VAC/min.
- Insulation Resistance >100MOHM (DC 500V)
- Degree of protection Terminal area IP00, operating area IP40



•Mechanical/Environmental Data

- Operating Ambient Temperature: -10°C to +60°C
- Termination; 250"(6.35mm) quick connects or solder terminals
- Mounting: Various options. See Ordering Information and drawings
- Panel Cutout:



•Compliance with Rohs

The product accords with the requirement of ROHS(2011/65/EU)
Contacts use Exempted item of RoHS Directive 2010/571/EU 8(a)

•Compliance with REACH, PAHS, PH1, PH2, PH3

•Typical applications

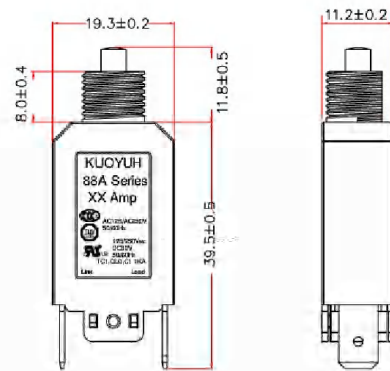
Transformers, Motors, Battery chargers, Power supplies, appliances, extra low voltage systems, machinery.

•Calibration(at25°C)

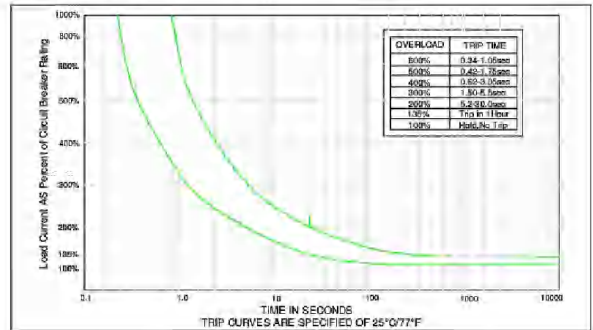
- 100% of Rated Current: Hold, No Trip
- 135% of Rated Current: Trip Within 1 Hour.
- 200% of Rated Current: 5.2- 30.0 sec Trip
- 300% of Rated Current: 1.5-5.5 sec Trip

•Approval

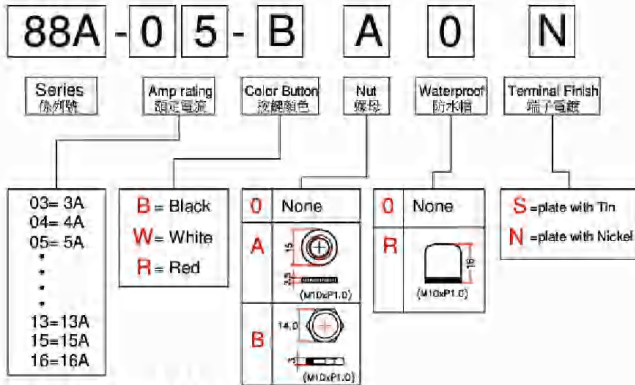
Approval & File No.	Rated current	Rated voltage
•CUL UL E155159	3-16A	125/250VAC; 50VDC
•TUV SUD B150158611006	3-16A	125/250VAC
•CCC	3-16A	125/250VAC
•VDE	3-16A	125/250VAC



•88A Series 3A~16A Trip Time Curves



Order Guide



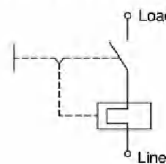
•Ambient Temperature Correction Factor

Ambient temperature	-10°C	0°C	10°C	25°C	35°C	40°C	50°C	60°C
Multiplication factor	*1.30	*1.20	*1.10	1.00	*0.94	*0.85	*0.73	*0.68

The time/current characteristic curve depends on the ambient temperature prevailing. In order to eliminate nuisance tripping, please multiply the circuit breaker current ratings by the derating factor shown below.

Example : Normal Continuous Current = 10A
Ambient Temperature = 45°C
Multiplication Factor = 0.85
Recommended Rating = 10A/0.85=11.8A

•Internal connection diagram



* The specification is subject to change without notice. This drawing is for reference only.



94N Series Breaker-switch



•Technical data

- Current rating range 3~16A
- Input voltage rating 125/250VAC; 50VDC
- Interrupting Capacity 125/250VAC x 1,000A(UL 1077)
- Breaking Capacity 6 times rated current
- Dielectric Strength > 1.500VAC/min.
- Insulation Resistance >100MOHM (DC 500V)
- Degree of protection Terminal area IP00, operating area IP40

•Mechanical/Environmental Data

- Operating Ambient Temperature: -10°C to +60°C
- Termination: 250"(6.35mm) quick connects or solder terminals

•Compliance with Rohs

The product accords with the requirement of ROHS(2011/65/EU)
Contacts use Exempted item of RoHS Directive 2010/571/EU 8(a)

•Compliance with REACH, PAHS, PH1, PH2, PH3

•Typical applications

Transforms, Motors, Battery chargers, Power supplies, appliances, extra low voltage systems, machinery.

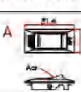



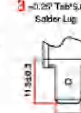

•Calibration(at25°C)

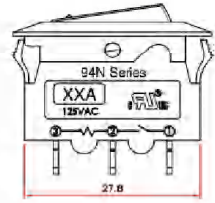
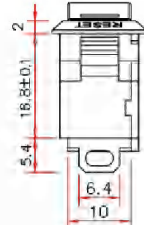
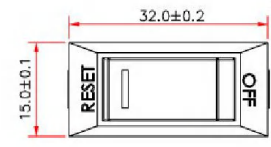
- 100% of Rated Current: Hold , No Trip
- 150% of Rated Current: Trip Within 1 Hour.
- 200% of Rated Current: 5-30 sec Trip
- 300% of Rated Current: 1.5-5.0 sec Trip

•Approval

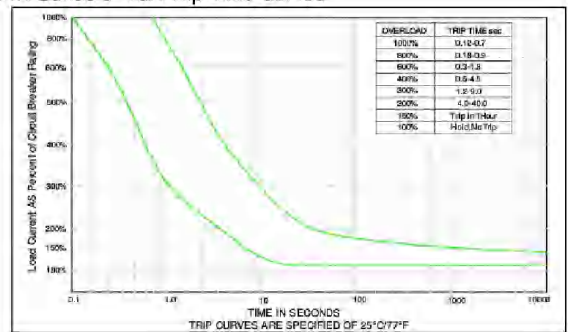
- Approval & File No. Rated current Rated voltage
- CUL UL E155159 3-16A 125/250VAC; 50VDC

•How to Order

94N	15	1	2	1	B	R	S	1
94N	Rating Amp	Illuminated Type	Actuator Type	Terminal Type	Base Color	Actuator Color	Terminal Finish	Lamp Type
3A.....16A	A=Yes,125Vac B=Yes,250Vac 1=None							
 								
   								
B=Black W=White G=Gray R=Red(PC) O=Orange(PC) N=Clear(PC) G=Green(PC) L=Blue(PC) 1=Black(Nylon) 2=Gray(Nylon) 3=Red(Nylon) 4=White(Nylon) S=Plate with Tin N=Plate with Nickel 0=None 0=None 1=Red Neon Lamp 2=Green Neon Lamp 3=Blue Neon Lamp A=LED Lamp								



•94N Series 3~16A Trip Time Curves



•Ambient Temperature Correction Factor

Ambient temperature	-10°C	0°C	10°C	25°C	35°C	40°C	50°C	50°C
Multiplication factor	*1.80	*1.20	*1.10	1.00	*0.94	*0.85	*0.73	*0.68

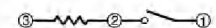
The time/current characteristic curve depends on the ambient temperature prevailing. In order to eliminate nuisance tripping, please multiply the circuit breaker current ratings by the derating factor shown below.

Example : Normal Continuous Current = 10A
 Ambient Temperature = 45°C
 Multiplication Factor = 0.85
 Recommended Rating = 10A/0.85=11.8A
 Select the Nearest Rating = 12A

•Max. Internal Resistance

Amp rating	Max resistance
3.0 - 5.0Amp	<0.225 Ohms
6.0 - 8.0Amp	<0.175 Ohm
9.0 - 12.0Amp	<0.125 Ohm
13.0 - 16.0Amp	<0.050 Ohm

•Internal connection diagram



* The specification subject to change without notice. This drawing is for reference only.





F88 Series Thermal Circuit Breaker

Single Pole Push to Reset

•Technical data

- Current rating range 15A/125VAC; 10A/250VAC
- Input voltage rating 125/250VAC; 50VDC
- Interrupting Capacity 125/250VAC x 1,000A(UL 1077)
- Typical life 1,000 operations at 200% overload.
- Insulation co-ordination Rated impulse withstand voltage 2.5kV
- Dielectric Strength > 1,500VAC/min.
- Insulation Resistance >100MOHM (DC 500V)
- Degree of protection Terminal area IP00, operating area IP40

•Mechanical/Environmental Data

- Operating Ambient Temperature: -10°C to +60°C
- Termination: 250"(6.35mm) quick connects or solder terminals
- Panel Cutout:



•Compliance with Rohs

The product accords with the requirement of ROHS(2011/65/EU)
Contacts use Exempted item of RoHS Directive 2010/571/EU 8(a)

•Compliance with REACH, PAHS, PH1, PH2, PH3

•Typical applications

Transforms, Motors, Battery chargers, Power supplies, appliances, extra low voltage systems, machinery.

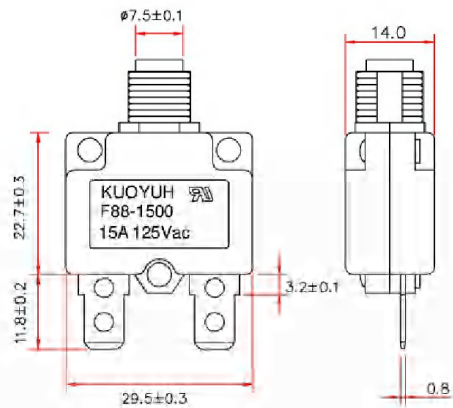
•Calibration(at25°C)

- 100% of Rated Current: Hold , No Trip
- 150% of Rated Current: Trip Within 1 Hour.
- 200% of Rated Current: 5-30 sec Trip
- 300% of Rated Current: 1.5-5.0 sec Trip

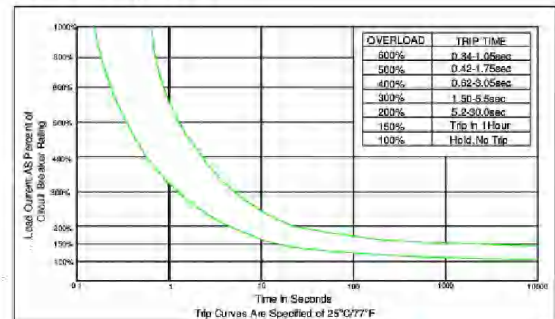
Order Guide

F88 - 15 0 0

Series 系列號	Amp rating 額定電流	Color Button 按鈕顏色	Nut type 螺母
10=10A 250VAC	15=15A 125VAC	0 = Black W= White R= Red	0 None P Plastic Integrated Kurnut Q Plastic Kurnut



•F88 Series Trip Time Curves



•Ambient Temperature Correction Factor

Ambient temperature	-10°C	0°C	10°C	25°C	35°C	40°C	50°C	60°C
Multiplication factor	*1.30	*1.20	*1.10	1.00	*0.94	*0.85	*0.73	*0.68

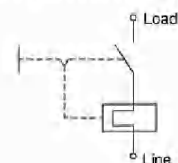
The time/current characteristic curve depends on the ambient temperature prevailing. In order to eliminate nuisance tripping. Please multiply the circuit breaker current ratings by the derating factor shown below.

Example : Normal Continuous Current = 10A
Ambient Temperature = 45°C
Multiplication Factor = 0.85
Recommended Rating = 10A/0.85=11.8A

•Max. Internal Resistance

Amp rating	Max resistance
3.0 - 5.0Amp	<0.225 Ohms
6.0 - 8.0Amp	<0.175 Ohm
9.0 - 12.0Amp	<0.125 Ohm
13.0 - 16.0Amp	<0.050 Ohm

•Internal connection diagram





88D Series Plugs with overload protectors



•Technical data

•Plugs

- Rating 15A 125VAC
- Insulation Resistance >100MOHM (DC 500V)
- Dielectric Strength > 2,000VAC/min.
- Housing Material Thermoplastic 94V-2 ~ 94V-0

•Protectors

- Rating 3A~15A 125/250VAC
- Insulation Resistance >100MOHM (DC 500V)
- Dielectric Strength > 1,500VAC/min.
- Interrupting Capacity 125/250VAC x 1,000A(UL 1077)
- Breaking Capacity 6 times rated current
 - Insulation co-ordination Rated impulse withstand voltage 2.5kV

•Mechanical/Environmental Data

- Operating Ambient Temperature: -10°C to +60°C
- Termination: 250^μ(6.35mm) quick connects or solder terminals
- Mounting: Various options. See Ordering Information and drawings
- Compliance with Rohs

The product accords with the requirement of ROHS(2011/65/EU). Contacts use Exempted item of RoHS Directive 2010/571/EU 8(a)

•Compliance with REACH, PAHS, PH1, PH2, PH3

•Typical applications

Transforms, Motors, Battery chargers, Power supplies, appliances, extra low voltage systems, machinery.

•Calibration(at25°C)

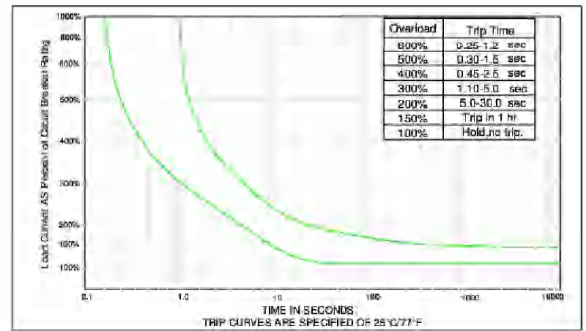
- 100% of Rated Current: Hold, No Trip
- 150% of Rated Current: Trip Within 1 Hour.
- 200% of Rated Current: 5-30 sec Trip
- 300% of Rated Current: 1.5-5.0 sec Trip

•Approval

Approval & File No.	Rated current	Rated voltage
UL E305186 vol.1	15A	125VAC
cUL E305186 vol.2	3A-16A	125/250VAC

•How to Order

88D	88D Series no.	-XX- Protectors Rating Amp	1 Operating	A Cover & bracket	B Protectors Button type	1 Plugs Terminal type
3A...15A	1 =Plug(C14)+protectors 2 =Plug(C14)+protectors+switch					
A	A =Snap IN B =Screw					
B	B =Black button 1 =Black button print Amp					
1	2	3	4	5	6	



•Ambient Temperature Correction Factor

Ambient temperature	-10°C	0°C	10°C	25°C	35°C	40°C	50°C	60°C
Multiplication factor	*1.30	*1.20	*1.10	1.00	*0.94	*0.85	*0.73	*0.68

The time/current characteristic curve depends on the ambient temperature prevailing. In order to eliminate nuisance tripping, please multiply the circuit breaker current ratings by the derating factor shown below.

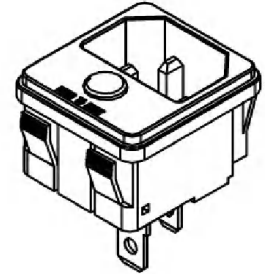
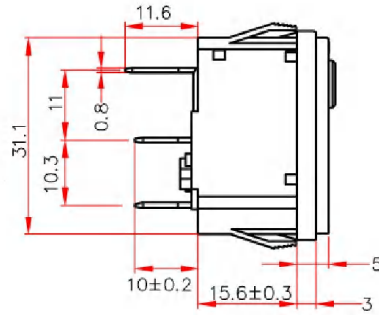
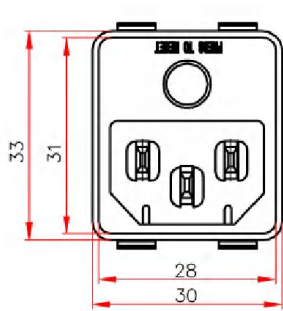
Example : Normal Continuous Current = 50A
 Ambient Temperature = 45°C
 Multiplication Factor = 0.85
 Recommended Rating= 50A*0.85=58.8A

•Max. Internal Resistance

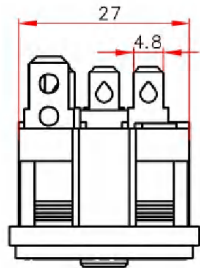
Amp rating	Max resistance
3.0 - 5.0Amp	<0.225 Ohm
6.0 - 8.0Amp	<0.175 Ohm
9.0 - 12.0Amp	<0.125 Ohm
13.0 - 16.0Amp	<0.050 Ohm

* The specification subject to change without notice. This drawing is for reference only.

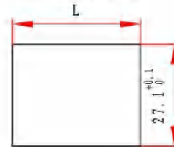




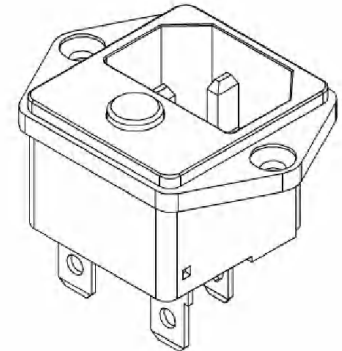
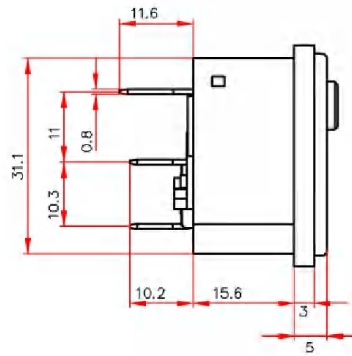
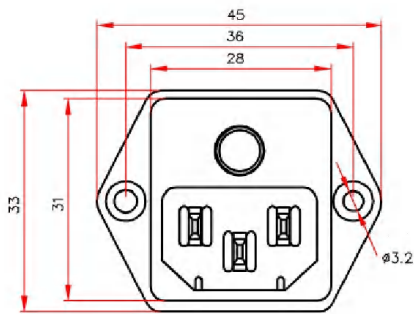
88D-15-1AB1



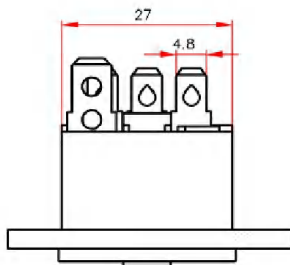
Panel Hole Size
(For Reference)



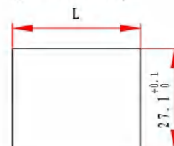
L	Panel Thickness
34.0~34.2	0.75-1.25
34.2~34.4	1.25-2.00
34.4~34.6	2.00-3.00



88D-15-1BB1



Panel Hole Size
(For Reference)



L	Panel Thickness
34.0~34.2	0.75-1.25
34.2~34.4	1.25-2.00
34.4~34.6	2.00-3.00

* The specification subject to change without notice. The drawing is for reference only.



97 Series Thermal Circuit Breaker

Single Pole; Auto-Reset

•Technical data

- Current rating range 0.8~15A
- Input voltage rating 125/250VAC; 12/24VDC
- Interrupting Capacity 125/250VAC x 200A (UL1077)
- Interrupting capacity Icn 0.8A...1.0A 6x In; AC max 6A
1.1A..1.5A 6x In; AC max 9A
1.6A...15A 8x In; AC max 45A
- Reset time: 200% of rating current within 50 seconds
150% of rating current within 5 minutes
- Dielectric Strength > 1,500VAC/min
- Insulation Resistance >100MOHM (DC 500V)
- Degree of protection Terminal area IP00; operating area IP30

•Mechanical/Environmental Data

- Operating Ambient Temperature: -10°C to +60°C
- Termination: 110°(2.8mm) quick connects or solder terminals
- Mounting: Various options. See Ordering Information and drawings

•Compliance with Rohs

The product accords with the requirement of ROHS(2011/65/EU)
Contacts use Exempted Item of RoHS Directive 2010/57/EU 6(a)

•Compliance with REACH, PAHS, PH1, PH2, PH3

•Typical applications

Transforms, Motors, Battery chargers, Power supplies, appliances, extra low voltage systems, machinery.

•Calibration(at25°C)

- Rated: 0.8-5A
- 100% of Rated Current: Hold, No Trip
- 150% of Rated Current: Trip Within 1 Hour.
- 200% of Rated Current: 2.0-35 sec Trip
- 300% of Rated Current: 0.6-3.5 sec Trip

- Rated: 6~15A
- 100% of Rated Current: Hold, No Trip
- 135% of Rated Current: Trip Within 1 Hour.
- 200% of Rated Current: 3.0-50 sec Trip
- 300% of Rated Current: 0.85-5 sec Trip

•Approval

- Approval & File No. Rated current Rated voltage
- CUL UL 0.8-12A 125/250VAC; 12/24VDC

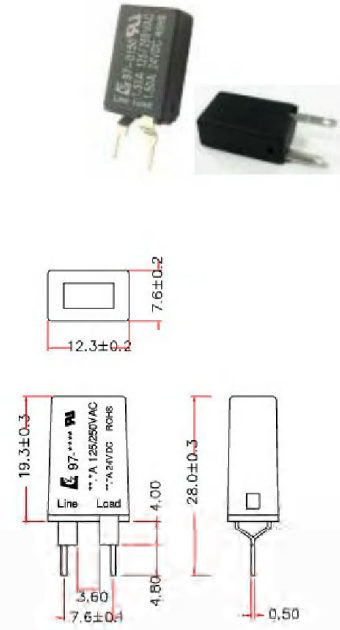
•Order Guide

97 - 1000 - A

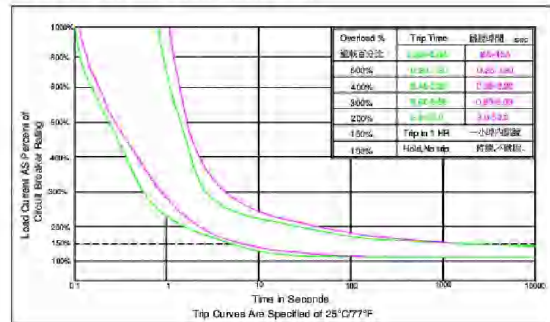
Series No Amp Rating Terminal Type

0080=0.8A	0400=4.0A	A =P.C.B. 0.5X0.9mm
0100=1.0A	0500=5.0A	
0125=1.25A	0600=6.0A	
0150=1.5A	0700=7.0A	
0175=1.75A	0800=8.0A	
0200=2.0A	0900=9.0A	
0250=2.5A	1000=10.0A	
0275=2.75A	1200=12.0A	
0300=3.0A	1300=13.0A	
0350=3.5A	1500=15.0A	

B =2.8mm S.Q. Terminal



•97 Series 0.8-15A Trip Time Curves



•Ambient Temperature Correction Factor

Ambient temperature	-10°C	0°C	10°C	25°C	35°C	40°C	50°C	60°C
Multiplication factor	*1.30	*1.20	*1.10	1.00	*0.94	*0.85	*0.73	*0.68

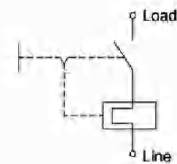
The time/current characteristic curve depends on the ambient temperature prevailing. In order to eliminate nuisance tripping, please multiply the circuit breaker current ratings by the derating factor shown below.

Example : Normal Continuous Current = 10A
Ambient Temperature = 45°C
Multiplication Factor = 0.85
Recommended Rating = 10A/0.85=11.8A
Select the Nearest Rating = 12A

•Max. Internal Resistance

Amp rating	Max resistance
0.8-1.5 Amp	<0.65 ohm
1.6-2.0 Amp	<0.15 ohm
2.1-2.5 Amp	<0.1 ohm
3.0-4.0 Amp	<0.075 ohm
4.1-6.0 Amp	<0.06 ohm
6.1-8.0 Amp	<0.05 ohm
8.1-10.0 Amp	<0.045 ohm
11.0-15.0 Amp	<0.040 ohm

•Internal connection diagram





88AR Thermal Circuit Breaker

Single Pole Auto- Reset

•Technical data

- Current rating range 3~30A
- Input voltage rating 125/250VAC; 32/50VDC
- Contact Endurance 125Vac X150% of rated current >500 cycles
125Vac X200% of rated current >200 cycles
- Insulation Resistance >100MOHM (DC 500V)
- Dielectric Strength > 1,500VAC/min.
- Degree of protection Terminal area IP00, operating area IP40

•Mechanical/Environmental Data

- Operating Ambient Temperature: -10°C to +60°C
- Termination: 110"(2.8mm) quick connects or solder terminals
- Mounting: Various options. See Ordering Information and drawings

•Compliance with Rohs

The product accords with the requirement of ROHS(2011/65/EU)
Contacts use Exempted item of RoHS Directive 2010/571/EU 8(a)

•Compliance with REACH, PAHS, PH1, PH2, PH3

•Typical applications

Transforms, Motors, Battery chargers, Power supplies,

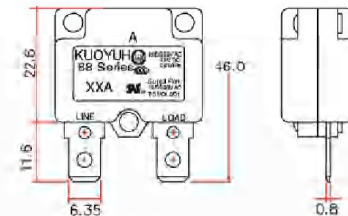
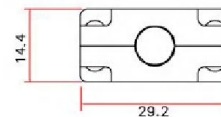
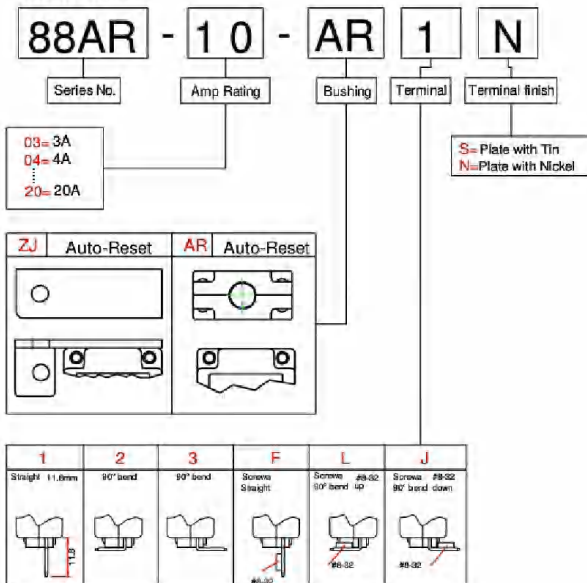
•Calibration(at25°C)

- 100% of Rated Current: Hold , No Trip
- 150% of Rated Current: Trip Within 1 Hour.
- 200% of Rated Current: 5-30 sec Trip
- 300% of Rated Current: 1.5-5.0 sec Trip

•Approval

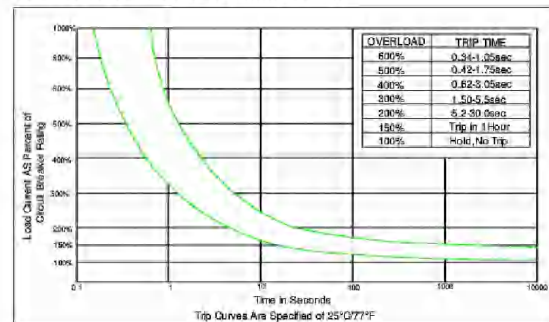
- Approval & File No. Rated current Rated voltage
- CUL UL E155159 3-20A 24VDC
- TUV SUD B15 09 58611 007 3-20A 125/250VAC; 32VDC

•Order Guide



* Dimension in mm:

•88AR Series 3A-20A Trip Time Curves



•Ambient Temperature Correction Factor

Ambient temperature	-10°C	0°C	10°C	25°C	35°C	40°C	50°C	60°C
Multiplication factor	*1.30	*1.20	*1.10	1.00	*0.94	*0.85	*0.73	*0.68

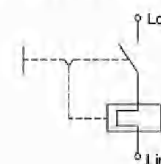
The time/current characteristic curve depends on the ambient temperature prevailing. In order to eliminate nuisance tripping. Please multiply the circuit breaker current ratings by the derating factor shown below.

Example : Normal Continuous Current = 10A
Ambient Temperature = 45°C
Multiplication Factor = 0.85
Recommended Rating= 10A/0.85=11.8A
Select the Nearest Rating = 12A

•Max. Internal Resistance

Amp rating	Max resistance
3.0 - 5.0Amp	<0.225 Ohms
6.0 - 8.0Amp	<0.175 Ohm
9.0 - 12.0Amp	<0.125 Ohm
13.0 - 16.0Amp	<0.050 Ohm
17.0 - 20.0Amp	<0.040 Ohm

•Internal connection diagram



* The specification subject to change without notice. This drawing is for reference only.

KUOYUH W.L. Enterprise Co., Ltd.
No. 17 Kofu 8th Road Duzin City Tainan Hsien 70007 Taiwan R.O.C
http://www.kuoyuh.com.tw sales@kuoyuh.com
Taiwan Tel: 866 5 551 3222 Fax: 866 5 551 3030
China Tel: 86 769 8386 6369 Fax: 86 769 8386 6382
Issue-A0
Date:2017.02.20



KUOYUH®

98AR Thermal Circuit Breaker
Single Pole Auto-Reset



• **Technical data**

- Current rating range 3~50A
- Input voltage rating 125/250VAC; 32VDC
- Contact Endurance 125Vac X150% of rated current >500 cycles
125Vac X200% of rated current >200 cycles
- Insulation Resistance >100MOHM (DC 500V)
- Dielectric Strength > 1,500VAC/min.
- Degree of protection Terminal area IP00, operating area IP40

• **Mechanical/Environmental Data**

- Operating Ambient Temperature: -10°C to +60°C
- Termination: 110"(2.8mm) quick connects or solder terminals
- Mounting: Various options. See Ordering Information and drawings

• **Compliance with Rohs**

- The product accords with the requirement of ROHS(2011/65/EU)
- Contacts use Exempted item of RoHS Directive 2010/571/EU 8(a)

• **Compliance with REACH, PAHS, PH1, PH2, PH3**

• **Typical applications**

Transforms, Motors, Battery chargers, Power supplies,

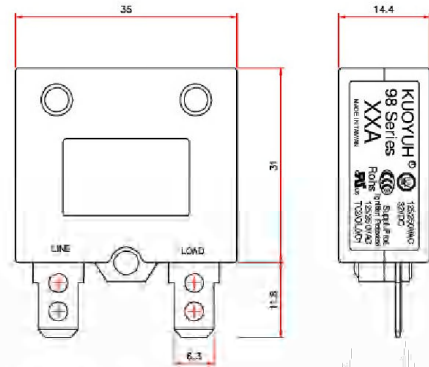
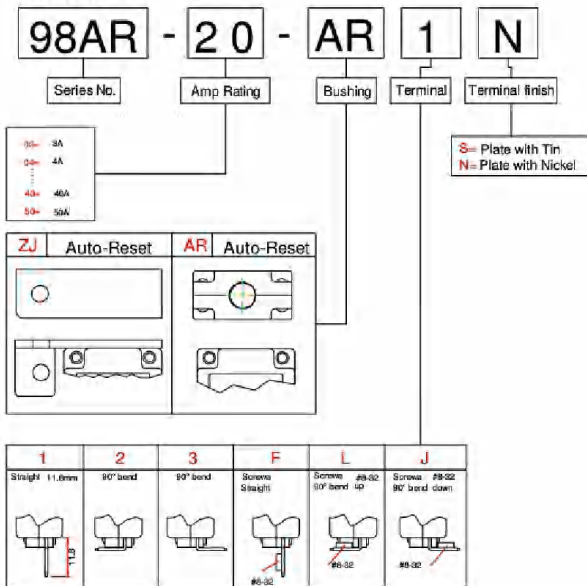
• **Calibration(at25°C)**

- 100% of Rated Current: Hold, No Trip
- 150% of Rated Current: Trip Within 1 Hour.
- 200% of Rated Current: 5-30 sec Trip
- 300% of Rated Current: 1.5-5.0 sec Trip

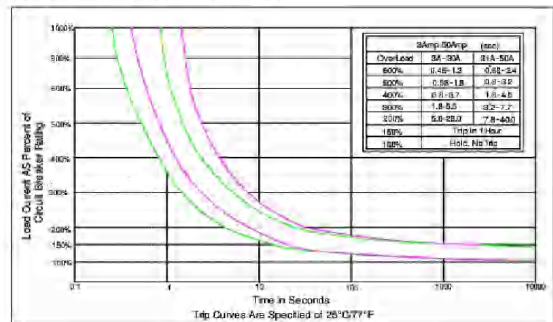
• **Approval**

• Approval & File No.	Rated current	Rated voltage
• CUL UL E155159	3-50A	12VDC
• TUV SUD B15 09 58611 007	3-30A	125/250VAC; 32VDC

• **Order Guide**



• **98AR 3A-50A Trip Time Curves**



• **Ambient Temperature Correction Factor**

Ambient temperature	-10°C	0°C	10°C	25°C	35°C	40°C	50°C	60°C
Multiplication factor	*1.30	*1.20	*1.10	1.00	*0.94	*0.85	*0.73	*0.68

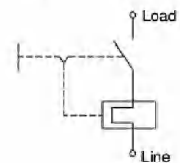
The time/current characteristic curve depends on the ambient temperature prevailing. In order to eliminate nuisance tripping, please multiply the circuit breaker current ratings by the derating factor shown below.

Example : Normal Continuous Current = 10A
Ambient Temperature = 45°C
Multiplication Factor = 0.85
Recommended Rating= 10A/0.85=11.8A
Select the Nearest Rating = 12A

• **Max. Internal Resistance**

Amp rating	Max resistance
3-5 A	<0.225 Ohms
6-8 A	<0.175 Ohms
9-11 A	<0.125 Ohms
12-13 A	<0.050 Ohms
14-17 A	<0.040 Ohms
18-24 A	<0.030 Ohms
25-35 A	<0.020 Ohms
36-50 A	<0.010 Ohms

• **Internal connection diagram**



* The specification subject to change without notice. This drawing is for reference only.

KUOYUH W.L. Enterprise Co., Ltd.
No. 17 Kofu 8th Road Duzin City Yunlin Hsin 6887 Taiwan R.O.C
http://www.kuoyuh.com.tw sales@kuoyuh.com
Taiwan Tel: 863 5 551 3222 Fax: 863 5 551 3030
China Tel: 86 769 8386 6369 Fax: 86 769 8386 6382
Issue-A0
Date:2017.02.20





98HAR Thermal Circuit Breaker

Single Pole Auto- Reset

•Technical data

- Current rating range 40~80A
- Input voltage rating 125/250VAC; 32/50VDC
- Contact Endurance 125Vac X150% of rated current >500 cycles
125Vac X200% of rated current >200 cycles
- Insulation Resistance >100MOHM (DC 500V)
- Dielectric Strength > 1,500VAC/min.
- Degree of protection Terminal area IP00.

•Mechanical/Environmental Data

- Operating Ambient Temperature: -10°C to +60°C
- Mounting: Various options. See Ordering Information and drawings
- Compliance with Rohs

The product accords with the requirement of ROHS(2011/65/EU)
Contacts use Exempted item of RoHS Directive 2010/571/EU 8(a)

•Compliance with REACH, PAHS, PH1, PH2, PH3

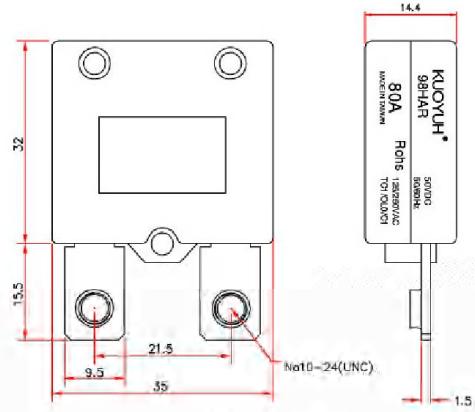
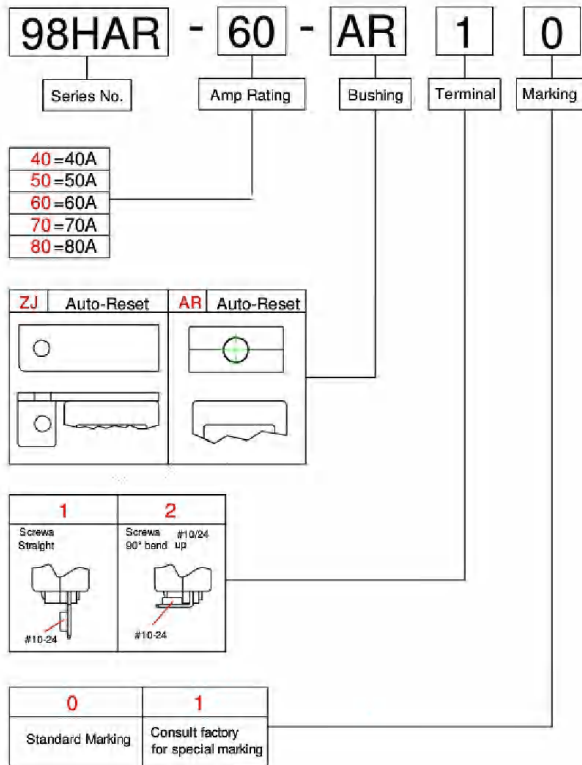
•Typical applications

Transformers, Motors, Battery chargers, Power supplies,

•Calibration(at25°C)

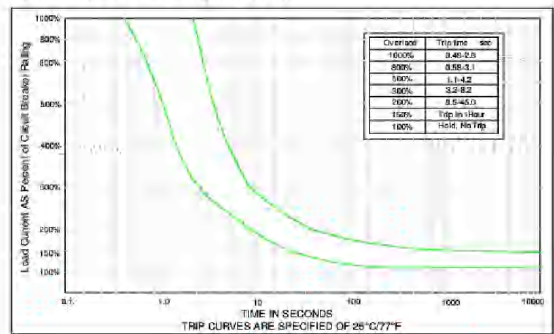
- 100% of Rated Current: Hold , No Trip
- 150% of Rated Current: Trip Within 1 Hour.
- 200% of Rated Current: 5-30 sec Trip
- 300% of Rated Current: 1.5-5.0 sec Trip

•Order Guide



* Dimension in mm:
Standard Marking

•98HAR 40~80A Trip Curves



•Ambient Temperature Correction Factor

Ambient temperature	-10°C	0°C	10°C	25°C	35°C	40°C	50°C	60°C
Multiplication factor	*1.30	*1.20	*1.10	1.00	*0.94	*0.85	*0.73	*0.68

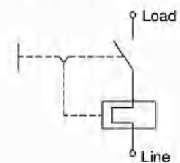
The time/current characteristic curve depends on the ambient temperature prevailing. In order to eliminate nuisance tripping, Please multiply the circuit breaker current ratings by the derating factor shown below.

Example: Normal Continuous Current = 50A
Ambient Temperature = 45°C
Multiplication Factor = 0.85
Recommended Rating= 50A*0.85=58 BA
Select the Nearest Rating = 60A

•Max. Internal Resistance

Amp rating	Max resistance
3-5 A	<0.225 Ohms
6-8 A	<0.175 Ohms
9-11 A	<0.125 Ohms
12-13 A	<0.050 Ohms
14-17 A	<0.040 Ohms
18-24 A	<0.030 Ohms
25-35 A	<0.020 Ohms
36-50 A	<0.010 Ohms

•Internal connection diagram



* The specification subject to change without notice. This drawing is for reference only.



AR SERIES CIRCUIT PROTECTION

Single Pole; Auto-reset, Modified-reset, Manual-reset



•Technical data

- Current rating range 3~50A
- Input voltage rating 12/24 VDC; 14/28VDC
- Compliances SAE J553
- Contact Endurance 125Vac X150% of rated current >500 cycles
125Vac X200% of rated current >200 cycles
- Insulation Resistance >100MOHM (DC 500V)
- Dielectric Strength > 1,500VAC/min.
- Breaking Capacity 4 times rated current
- Automotive Type Auto- Reset; 12/24VDC Automotive Type I
- Automotive Type Modified- Reset; 12VDC Automotive Type II
- Automotive Type Manual- Reset; 12VDC Automotive Type III
- Materials UL 94V-0 Thermoplastic body, thermoset for Type III buttons.



•Mechanical/Environmental Data

- Operating Ambient Temperature: -10°C to +60°C
- Storage Temperature Rating: -40°C to +100°C.
- Terminal Type: #10-32 thread and 0.25" quick-connect options available

•Typical applications

Trolling motors, Battery chargers, trucks, buses, RV's.

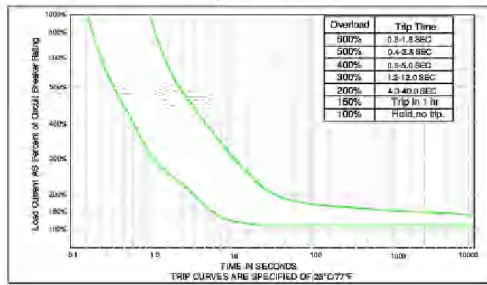
•Approval

- Approval & File No. Rated current Rated voltage
- CUL ULE317794 3-50A 125/250VAC; 50VDC
(For Plastic Cover)

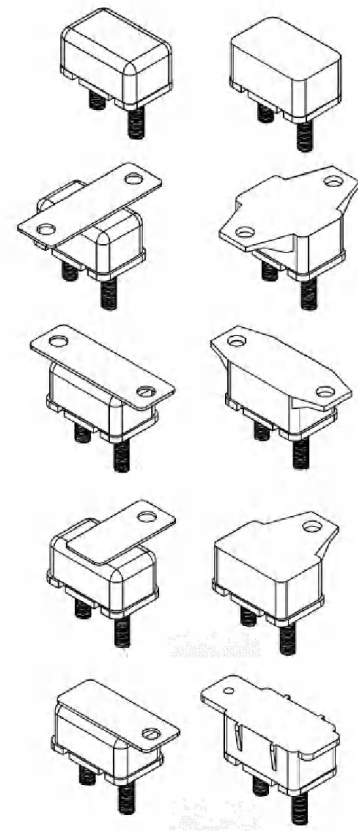
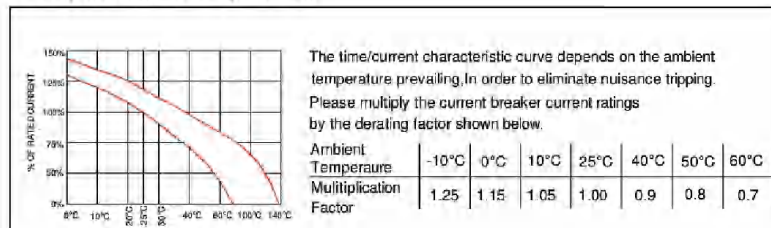
•Calibration(at25°C)

- 100% of Rated Current: Hold , No Trip
- 150% of Rated Current: Trip Within 1 Hour.
- 200% of Rated Current: 4.0-40.0 SEC Trip
- 300% of Rated Current: 1.2-12.0 SEC Trip

•AR Series 3~50A Trip Curves



• Temperature Derating Curves



* The specification is subject to change without notice. This drawing is for reference only.

KUOYUH W.L. Enterprise Co., Ltd.
No. 17 Kyoia 8th Road Duzhu, City Tainan, Taiwan 70007 Taiwan R.O.C.
http://www.kuoyuh.com.tw sales@kuoyuh.com
Taiwan Tel: 866 5 551 3222 Fax: 866 5 551 3030
China Tel: 86 769 8385 6389 Fax: 86 769 8385 6382
Issue-A0
Date 2017.02.20





AR Series Circuit Breaker Order Guide

AR- I - 12 - A P1 5 - 0 0 0

Automotive Type	Amp Rating	Terminal Type	Type of Cover and Bracket	Mounting Hole	Hardware	Waterproof Options	IP																																																																																																																				
<table border="1"> <thead> <tr> <th colspan="2">Automotive Type</th> </tr> </thead> <tbody> <tr> <td>1</td> <td>Auto-Reset; 12/24VDC Automotive Type I</td> </tr> <tr> <td>2</td> <td>Modified Reset; 12VDC Automotive Type II</td> </tr> <tr> <td>3</td> <td>Push-to-Reset; 24VDC Automotive Type III</td> </tr> </tbody> </table>	Automotive Type		1	Auto-Reset; 12/24VDC Automotive Type I	2	Modified Reset; 12VDC Automotive Type II	3	Push-to-Reset; 24VDC Automotive Type III	<table border="1"> <thead> <tr> <th colspan="2">Amp Rating</th> </tr> </thead> <tbody> <tr><td>04=</td><td>4Amps</td></tr> <tr><td>05=</td><td>5Amps</td></tr> <tr><td>06=</td><td>6Amps</td></tr> <tr><td>08=</td><td>8Amps</td></tr> <tr><td>10=</td><td>10Amps</td></tr> <tr><td>12=</td><td>12Amps</td></tr> <tr><td>15=</td><td>15Amps</td></tr> <tr><td>20=</td><td>20Amps</td></tr> <tr><td>25=</td><td>25Amps</td></tr> <tr><td>30=</td><td>30Amps</td></tr> <tr><td>35=</td><td>35Amps</td></tr> <tr><td>40=</td><td>40Amps</td></tr> <tr><td>45=</td><td>45Amps</td></tr> <tr><td>50=</td><td>50Amps</td></tr> </tbody> </table> <p><small>*3A-20A PBT Base *25A-50A PCM Base</small></p>	Amp Rating		04=	4Amps	05=	5Amps	06=	6Amps	08=	8Amps	10=	10Amps	12=	12Amps	15=	15Amps	20=	20Amps	25=	25Amps	30=	30Amps	35=	35Amps	40=	40Amps	45=	45Amps	50=	50Amps	<table border="1"> <thead> <tr> <th colspan="2">Terminal Type</th> </tr> </thead> <tbody> <tr> <td>A Terminal</td> <td></td> </tr> <tr> <td>B Terminal</td> <td></td> </tr> <tr> <td>C Terminal</td> <td></td> </tr> <tr> <td>H Terminal</td> <td></td> </tr> <tr> <td>D Terminal</td> <td></td> </tr> <tr> <td>U Terminal</td> <td></td> </tr> </tbody> </table>	Terminal Type		A Terminal		B Terminal		C Terminal		H Terminal		D Terminal		U Terminal		<table border="1"> <thead> <tr> <th colspan="2">Type of Cover and Bracket</th> </tr> </thead> <tbody> <tr> <td>Metal Cover</td> <td></td> </tr> <tr> <td>M0 bracket</td> <td></td> </tr> <tr> <td>M1 bracket</td> <td></td> </tr> <tr> <td>M2 bracket</td> <td></td> </tr> <tr> <td>M3 bracket</td> <td></td> </tr> <tr> <td>M4 bracket</td> <td></td> </tr> <tr> <td>Plastic Cover CUL ULE317794</td> <td></td> </tr> <tr> <td>P0 bracket</td> <td></td> </tr> <tr> <td>P1 bracket</td> <td></td> </tr> <tr> <td>P2 bracket</td> <td></td> </tr> <tr> <td>P3 bracket</td> <td></td> </tr> <tr> <td>P4 bracket</td> <td></td> </tr> </tbody> </table>	Type of Cover and Bracket		Metal Cover		M0 bracket		M1 bracket		M2 bracket		M3 bracket		M4 bracket		Plastic Cover CUL ULE317794		P0 bracket		P1 bracket		P2 bracket		P3 bracket		P4 bracket		<table border="1"> <thead> <tr> <th colspan="2">Mounting Hole</th> </tr> </thead> <tbody> <tr><td>0</td><td>None</td></tr> <tr><td>1</td><td>=3.1 dia</td></tr> <tr><td>2</td><td>=3.5 dia</td></tr> <tr><td>3</td><td>=3.9 dia</td></tr> <tr><td>4</td><td>=5.0 dia</td></tr> <tr><td>5</td><td>=5.8 dia</td></tr> <tr><td>6</td><td>=6.8 dia</td></tr> </tbody> </table>	Mounting Hole		0	None	1	=3.1 dia	2	=3.5 dia	3	=3.9 dia	4	=5.0 dia	5	=5.8 dia	6	=6.8 dia	<table border="1"> <thead> <tr> <th colspan="2">Hardware</th> </tr> </thead> <tbody> <tr><td>0</td><td>Not attached to the nut</td></tr> <tr><td>1</td><td>Along with the goods.</td></tr> <tr><td>2</td><td>Assembled</td></tr> </tbody> </table> <p><small>#10-32 Keeps lock nut</small></p>	Hardware		0	Not attached to the nut	1	Along with the goods.	2	Assembled	<table border="1"> <thead> <tr> <th colspan="2">Waterproof Options</th> </tr> </thead> <tbody> <tr><td>0</td><td>Not attached to the waterproof</td></tr> <tr><td>1</td><td>Along with the goods.</td></tr> <tr><td>2</td><td>Assembled</td></tr> </tbody> </table>	Waterproof Options		0	Not attached to the waterproof	1	Along with the goods.	2	Assembled	<table border="1"> <thead> <tr> <th colspan="2">IP</th> </tr> </thead> <tbody> <tr><td>0</td><td>Normal</td></tr> <tr><td>A</td><td>IP66</td></tr> </tbody> </table>	IP		0	Normal	A	IP66
Automotive Type																																																																																																																											
1	Auto-Reset; 12/24VDC Automotive Type I																																																																																																																										
2	Modified Reset; 12VDC Automotive Type II																																																																																																																										
3	Push-to-Reset; 24VDC Automotive Type III																																																																																																																										
Amp Rating																																																																																																																											
04=	4Amps																																																																																																																										
05=	5Amps																																																																																																																										
06=	6Amps																																																																																																																										
08=	8Amps																																																																																																																										
10=	10Amps																																																																																																																										
12=	12Amps																																																																																																																										
15=	15Amps																																																																																																																										
20=	20Amps																																																																																																																										
25=	25Amps																																																																																																																										
30=	30Amps																																																																																																																										
35=	35Amps																																																																																																																										
40=	40Amps																																																																																																																										
45=	45Amps																																																																																																																										
50=	50Amps																																																																																																																										
Terminal Type																																																																																																																											
A Terminal																																																																																																																											
B Terminal																																																																																																																											
C Terminal																																																																																																																											
H Terminal																																																																																																																											
D Terminal																																																																																																																											
U Terminal																																																																																																																											
Type of Cover and Bracket																																																																																																																											
Metal Cover																																																																																																																											
M0 bracket																																																																																																																											
M1 bracket																																																																																																																											
M2 bracket																																																																																																																											
M3 bracket																																																																																																																											
M4 bracket																																																																																																																											
Plastic Cover CUL ULE317794																																																																																																																											
P0 bracket																																																																																																																											
P1 bracket																																																																																																																											
P2 bracket																																																																																																																											
P3 bracket																																																																																																																											
P4 bracket																																																																																																																											
Mounting Hole																																																																																																																											
0	None																																																																																																																										
1	=3.1 dia																																																																																																																										
2	=3.5 dia																																																																																																																										
3	=3.9 dia																																																																																																																										
4	=5.0 dia																																																																																																																										
5	=5.8 dia																																																																																																																										
6	=6.8 dia																																																																																																																										
Hardware																																																																																																																											
0	Not attached to the nut																																																																																																																										
1	Along with the goods.																																																																																																																										
2	Assembled																																																																																																																										
Waterproof Options																																																																																																																											
0	Not attached to the waterproof																																																																																																																										
1	Along with the goods.																																																																																																																										
2	Assembled																																																																																																																										
IP																																																																																																																											
0	Normal																																																																																																																										
A	IP66																																																																																																																										

* The specification subject to change without notice. The drawing is for reference only.



AR2 SERIES CIRCUIT PROTECTION

Single Pole Auto-Reset

•Technical data

- Current rating range 3~20A
- Input voltage rating 12/24 VDC; 14/28VDC
- Compliances SAE J553
- Contact Endurance 125Vac X150% of rated current >500 cycles
125Vac X200% of rated current >200 cycles
- Insulation Resistance >100MOHM (DC 500V)
- Dielectric Strength >1,500VAC/min.
- Breaking Capacity 4 times rated current
- Automotive Type Auto-Reset; 12VDC Automotive Type I
- Reset Time Within 60 SEC



•Mechanical/Environmental Data

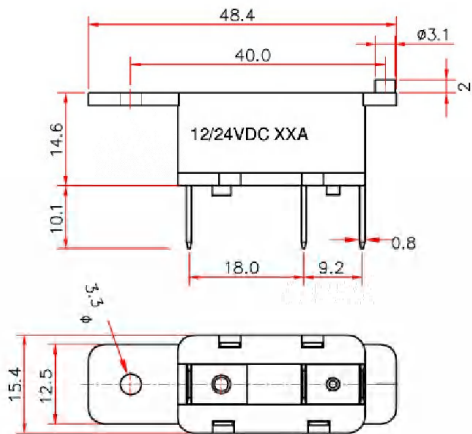
- Operating Ambient Temperature: -10°C to +60°C
- Storage Temperature Rating: -40°C to +100°C.
- Termination: 250"(6.3mm) quick connects or solder terminals

•Typical applications

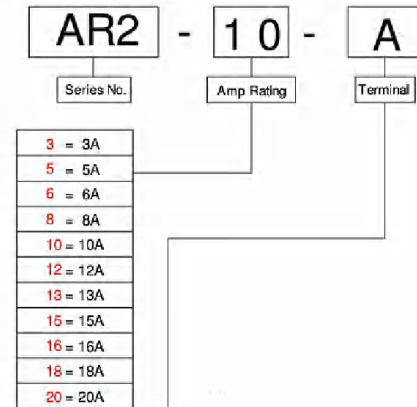
Battery chargers, trucks, buses, RV's, trolling motors, etc.

•Calibration(at25°C)

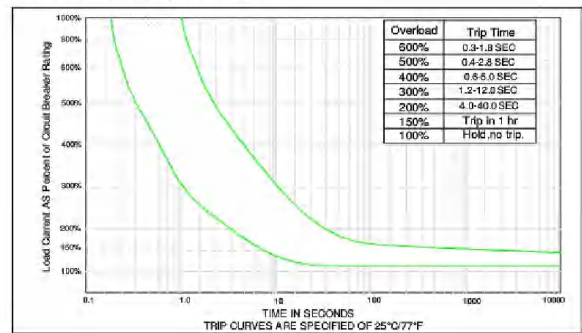
- 100% of Rated Current: Hold , No Trip
- 150% of Rated Current: Trip Within 1 Hour.
- 200% of Rated Current: 4.0-40.0 SEC Trip
- 300% of Rated Current: 1.2-12.0 SEC Trip



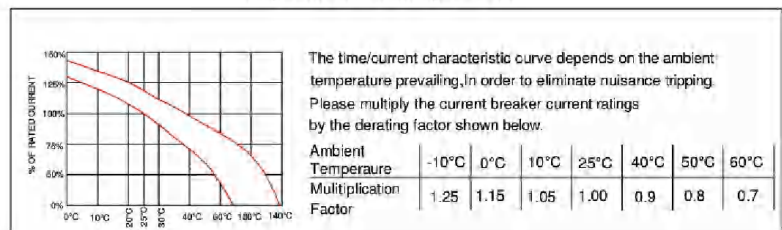
•AR2 Order Guide



•AR2 3~20A Trip Curves



• Temperature Derating Curves



* The specification subject to change without notice. This drawing is for reference only.



AR6 SERIES CIRCUIT PROTECTION

Single Pole Auto- Reset

•Technical data

- Current rating range 3~30A
- Input voltage rating 12/24 VDC
- Compliances SAE J553
- Contact Endurance 125Vac X150% of rated current >500 cycles
125Vac X200% of rated current >200 cycles
- Insulation Resistance >100MOHM (DC 500V)
- Dielectric Strength > 1,500VAC/min.
- Breaking Capacity 4 times rated current
- Automotive Type Auto- Reset; 12VDC Automotive Type I
- Reset Time Within 60 SEC

•Mechanical/Environmental Data

- Operating Ambient Temperature: -10°C to +60°C
- Storage Temperature Rating: -40°C to +100°C.
- Termination: 250"(6.3mm) quick connects or solder terminals

•Typical applications

Battery chargers, trucks, buses, RV's, trolling motors, etc.

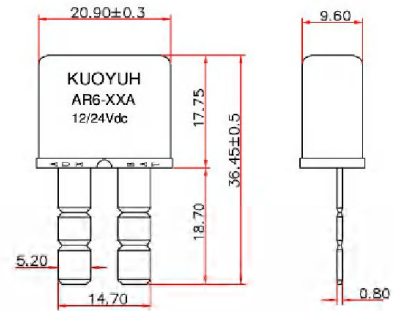
•Calibration(at25°C)

- 100% of Rated Current: Hold , No Trip
- 150% of Rated Current: Trip Within 1 Hour.
- 200% of Rated Current: 5-25 sec Trip
- 300% of Rated Current: 1.5-5 sec Trip

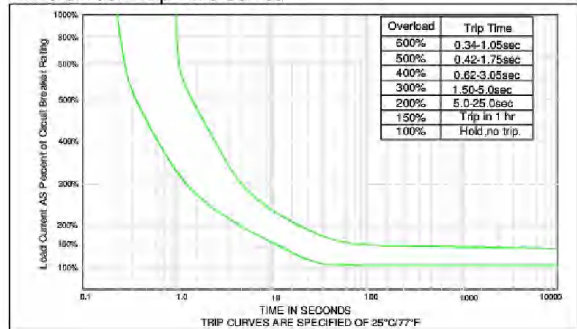
•AR6 Order Guide

AR6 -XXX -A -C
Series no. Rating Amp Case Type Terminal Type

<table border="1" style="width: 100%; border-collapse: collapse;"> <tr><td>025= 2.5 Amp</td></tr> <tr><td>050= 5 Amp</td></tr> <tr><td>075= 7.5 Amp</td></tr> <tr><td>080= 8 Amp</td></tr> <tr><td>100= 10 Amp</td></tr> <tr><td>125= 12.5 Amp</td></tr> <tr><td>150= 15 Amp</td></tr> <tr><td>175= 17.5 Amp</td></tr> <tr><td>200= 20 Amp</td></tr> <tr><td>225= 22.5 Amp</td></tr> <tr><td>250= 25 Amp</td></tr> <tr><td>300= 30 Amp</td></tr> </table>	025= 2.5 Amp	050= 5 Amp	075= 7.5 Amp	080= 8 Amp	100= 10 Amp	125= 12.5 Amp	150= 15 Amp	175= 17.5 Amp	200= 20 Amp	225= 22.5 Amp	250= 25 Amp	300= 30 Amp	<table border="1" style="width: 100%; border-collapse: collapse;"> <tr> <td style="text-align: center;">A=Matel(AL)</td> <td style="text-align: center;">A=7.3±0.5</td> </tr> <tr> <td></td> <td style="text-align: center;">B=12.5±0.5</td> </tr> <tr> <td></td> <td style="text-align: center;">C=18.7±0.5</td> </tr> </table>	A=Matel(AL)	A=7.3±0.5		B=12.5±0.5		C=18.7±0.5
025= 2.5 Amp																			
050= 5 Amp																			
075= 7.5 Amp																			
080= 8 Amp																			
100= 10 Amp																			
125= 12.5 Amp																			
150= 15 Amp																			
175= 17.5 Amp																			
200= 20 Amp																			
225= 22.5 Amp																			
250= 25 Amp																			
300= 30 Amp																			
A=Matel(AL)	A=7.3±0.5																		
	B=12.5±0.5																		
	C=18.7±0.5																		



•AR6 3A-30A Trip Time Curves



•Ambient Temperature Correction Factor

Ambient temperature	-10°C	0°C	10°C	25°C	35°C	40°C	50°C	60°C
Multiplication factor	*1.30	*1.20	*1.10	1.00	*0.94	*0.85	*0.73	*0.68

The time/current characteristic curve depends on the ambient temperature prevailing. In order to eliminate nuisance tripping. Please multiply the circuit breaker current ratings by the derating factor shown below.

Example : Normal Continuous Current = 50A
 Ambient Temperature = 45°C
 Multiplication Factor = 0.85
 Recommended Rating=50A*0.85=58.8A



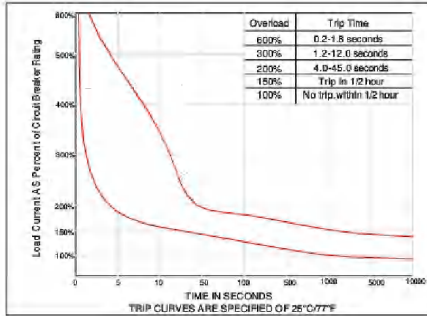
102 SERIES CIRCUIT PROTECTION

Manual Reset (Type III)/ Auto Reset (Type I) Single Pole Thermal Type Breakers

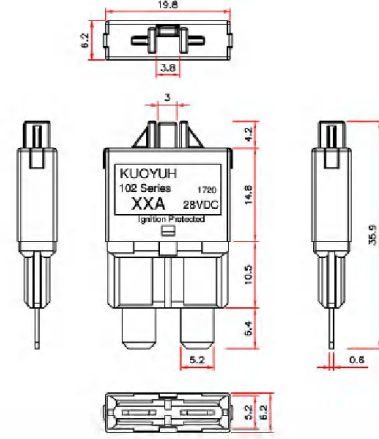
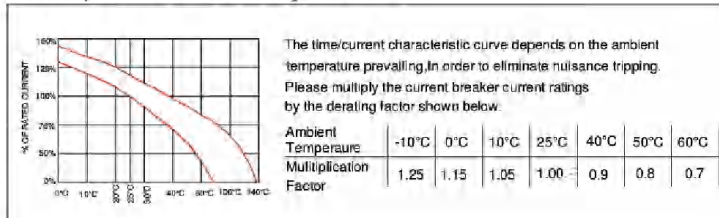
SPECIFICATIONS

- Rating: 5-30A, 28VDC.
- Interrupt Rating: 2,000A / 28VDC.
- Operating Temperature Rating: -30°C to 75°C
- Storage Temperature Rating: -30°C to 105°C
- Materials: UL-Rated 94V-0 thermoplastic body.
Tin-plated copper alloy terminals.
- Termination: 5.2mm wide blades compatible with ATC type fuse blocks.
- Marking: Cover is color-coded to amperage ratings.
- Compliances: SAEJ553; SAEJ1171
- Consult factory for trip time curves.

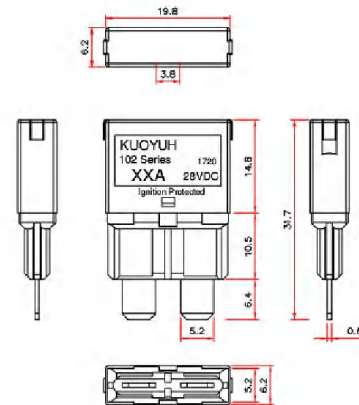
• Trip Time Curves



• Temperature Derating Curves



Manual Reset (Type III)
* Dimension in mm:



Auto Reset (Type I)
* Dimension in mm:

• Order Guide

Series Rating Operation
102 100 M

M= Type III (Manual Reset)
A= Type I (Auto Reset)

- 050 = 5A=LT. Brown
- 060 = 6A=Mcss Green
- 075 = 7.5A=Brown
- 100 = 10A=Red
- 150 = 15A=Blue
- 200 = 20A=Yellow
- 250 = 25A=White
- 300 = 30A=Green

* The specification subject to change without notice. This drawing is for reference only.

KUOYUH W.L. Enterprise Co., Ltd.
No. 17 Kojia 8th Road Duzhu, City Taichung, Taiwan 40687, Taiwan R.O.C.
http://www.kuoyuh.com.tw sales@kuoyuh.com
Taiwan Tel: 866 5 551 3222 Fax: 866 5 551 3030
China Tel: 86 763 8386 6369 Fax: 86 763 8386 6362
Issue-A0
Date: 2017.02.20





16 Series Thermal Circuit Breaker

Hi Amp ; Single Pole

• Technical data

Rating: 40-200A, 32VDC.

Interrupt Rating: 2,000A / 32VDC.

Operating Temperature Rating: -30°C to 80°C

Storage Temperature Rating: -30°C to 140°C

Materials: UL-Rated 94V-0 Thermosetting plastics body.
Nickel-plated copper alloy stud.

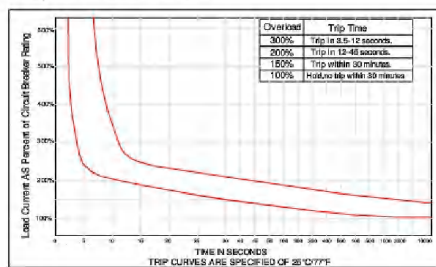
Insulation Resistance:100M,500VDC

Dielectric Strength:1800V 1 minute

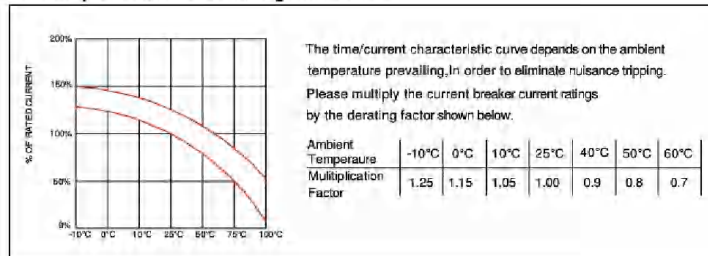
• Trip Time

- 100% of rated current: Hold, no trip within 30 minutes.
- 150% of rated current: Trip within 30 minutes.
- 200% of rated current: Trip in 12-45 seconds.
- 300% of rated current: Trip in 3.5-12 seconds.

• Trip Time Curves



• Temperature Derating Curves



Surface Mount

Panel Mount



16-8F=Type III+Switch (witchable/Manua)



16-8P=Type III+Switch (witchable/Manua)



16-3F=Type III (Manual Reset)



16-3P=Type III (Manual Reset)



16-1F=Type I (Auto Reset)



16-1P=Type I (Auto Reset)

16-XX-XXX

- 040= 40A
- 050= 50A
- 060= 60A
- 070= 70A
- 080= 80A
- 090= 90A
- 100=100A
- 110=110A
- 120=120A
- 130=130A
- 140=140A
- 150=150A
- 180=180A
- 200=200A

F=Surface Mount
P=Panel Mount

- 1=Type I (Auto Reset)
- 3=Type III (Manual Reset)
- 8=Type III+Switch (witchable/Manua)

* The specification is subject to change without notice. This drawing is for reference only.


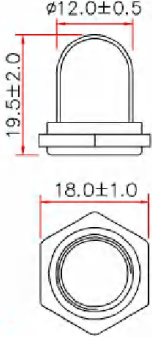

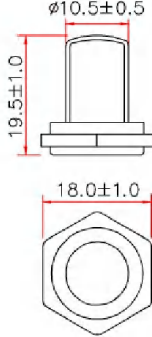

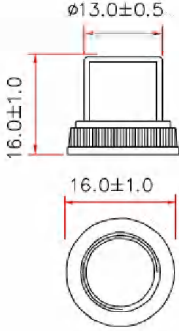

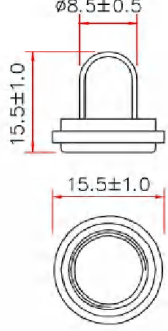

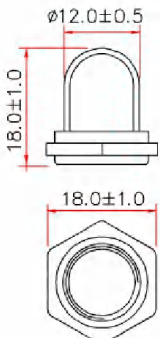

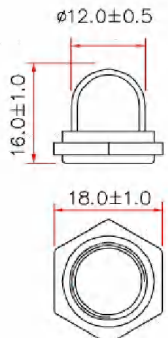

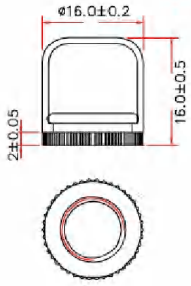
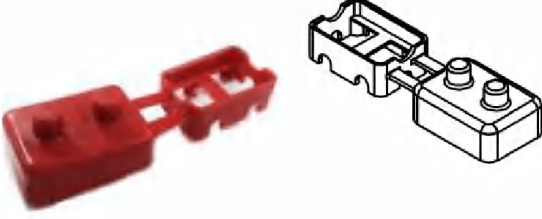
KUOYUH W.L. Enterprise Co., Ltd.
No. 17 Kalia 8th Road Dada City, Kunming Yunnan 650017 Taiwan R.O.C.
http://www.kuoyuh.com.tw sales@kuoyuh.com
Taiwan Tel: 866 5 551 3222 Fax: 866 5 551 3030
China Tel: 86 769 8366 6369 Fax: 86 769 8366 6362
Issue-A0
Date:2017.02.20



KUOYUH®

ATTACHMENT

Waterproof Type

<p>W-R-1=M11xP1.0 Clean W-R-2=M12xP1.0 Clean W-R-7=7/16"-28t Clean</p>  	<p>W-M3=3/8"-27t Clean For 3/8"-27T only Font magnifier function</p>  
<p>W-F-11=M11xP1.0 Clean W-F-12=M12xP1.0 Clean W-F-38=3/8"-27t Clean W-F-7=7/16"-28t Clean</p>  	<p>W-U-3B=3/8"-27t Black W-U-3C=3/8"-27t Clean</p>  
<p>W-R-V11=M11xP1.0 Clean M11xP1.0 only</p>  	<p>W-T11=M11xP1.0 Clean For 88 Series only</p>  
<p>W-C-10=M10xP1.0 Clean (88A Series only)</p>  	<p>W-HB=Black for AR series W-HR=Recl for AR series W-HW=White for AR series</p> <p>SHORT STOP COVER</p> 

* The specification subject to change without notice. This drawing is for reference only.



ATTACHMENT

Mounting Nut

Nameplate

<p>Plastic D-P1 M11*P1.0 D-P2 M12*P1.0 D-P3 3/8"-27T</p> <p>Integrated Knurl nut</p>	<p>F-B1 M11*P1.0 Black plate F-B2 M12*P1.0 Black plate F-W1 M11*P1.0 White plate F-W2 M12*P1.0 White plate</p>
<p>Plastic D-Q1 M11*P1.0 D-Q2 M12*P1.0 D-Q3 3/8"-27T</p> <p>Knurl nut</p>	<p>F-A1 M11*P1.0 Black plate</p>
<p>Metal (ZnAL Alloys) 988-D-Z11 M11*P1.0 988-D-Z12 M12*P1.0 988-D-Z38 3/8"-27T 988-D-Z10 M10*P1.0 988-D-Z716 7/16"-28T</p> <p>Hexnut</p>	<p>F-S1 M11*P1.0 Black plate F-S2 M12*P1.0 Black plate F-X1 M11*P1.0 White plate F-X2 M12*P1.0 White plate</p>
<p>Metal D-A1 M11*P1.0 D-A2 M12*P1.0</p> <p>Knurl nut</p>	<p>F-L1 M11*P1.0 Black plate (Waterproof only) F-L2 M12*P1.0 Black plate</p>
<p>Metal 988-D-B11 M11*P1.0 988-D-B12 M12*P1.0</p> <p>Hexnut</p>	<p>F-B3 3/8"-27T Black plate For 3/8"-27T only</p>
<p>Screw</p>	
<p>#8-32 </p> <p>#10-24 </p> <p>#8-32 Keeps lock nut (for AR series) </p>	<p>D-B8 M8*P0.75 (91 series only) </p> <p>F-08B M8*P0.75 Black plate (91 series only) </p>

* The specification subject to change without notice. This drawing is for reference only.

KUOYUH W.L. Enterprise Co., Ltd.
 No. 17 Kofu 8th Road Dazhu City Yunlin Hsin 6887 Taiwan R.O.C
 http://www.kuoyuh.com.tw sales@kuoyuh.com
 Taiwan Tel: 886 5 351 3222 Fax: 886 5 351 3030
 China Tel: 86 769 8386 6389 Fax: 86 769 8386 6382
 Issue-A0
 Date: 2017.02.20

