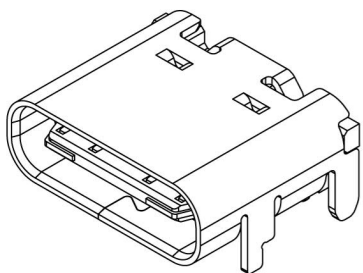


ROHS

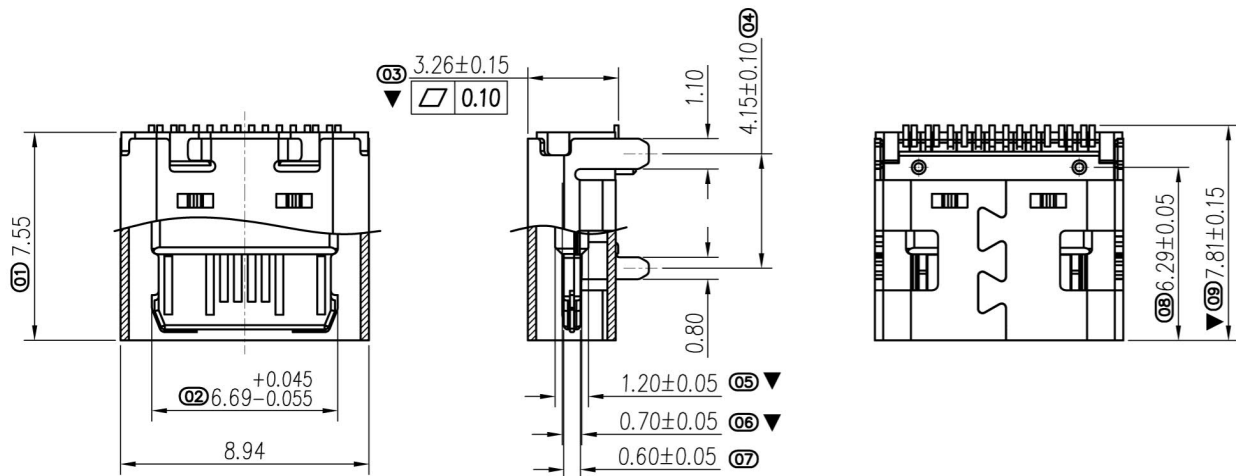
型号: KH-TYPE-C-16P



A1	GND	B12	GND
A4	VBUS	B9	VBUS
A5	CC1	B8	SBU2
A6	DP1	B7	DN2
A7	DN1	B6	DP2
A8	SBU1	B5	CC2
A9	VBUS	B4	VBUS
A12	GND	B1	GND
PIN	SIGNAL NAME	PIN	SIGNAL NAME

Specification:

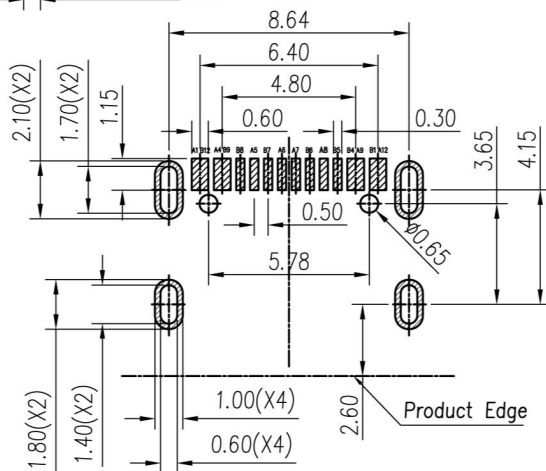
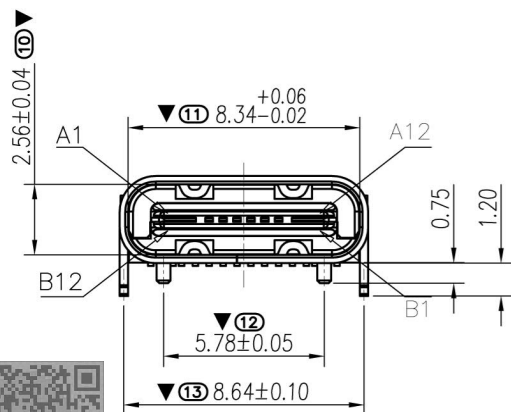
1. Electrical Characteristics:
 - Contact Current Rating: 3 Amperes Max.
 - Rated Voltage: 30V Max.
 - Dielectric Withstanding Voltage: AC 100V r.m.s.
 - Insulation Resistance: 100 MΩ Minimum.
 - Contact Resistance: 40 mΩ Maximum.
2. Environmental:
 - Operating Temperature: -40°C~+85°C.
3. Mechanical Characteristics:
 - Insertion Force: 5~20Nf.
 - Withdrawal Force: 6~20Nf.
 - Durability Cycles: 10000 Cycles.
4. **⊗** Make is FAI test Dimension
 ▼ Make is major test Dimension



NO.	NAME	DESCRIPTION
3	CONTACT	COPPER ALLOY
2	INSULATOR	HIGH TEMPERATURE PLASTIC UL 94 V-0
1	SHELL	Stainless Steel

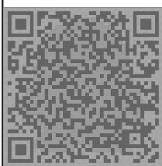
10 1 2 - 16 F * * * * 01 - * *

Q=亚镍	H= 全金 3u"	02= Black	R3= 透明热封带
G=全金	G= 全金 1u"		
N=亮镍			



RECOMMENDED P.C.B. LAYOUT
TOLERANCE UNSPECIFIED ±0.05mm

06/09-17	yang		NEW-DWG		A0
DATE	DR.BY	ECN.NO.	DESCRIPTION	MARK	VER.
-TOLERANCES- UNLESS OTHERWISE SPECIFIED 公差参考表			深圳市金航标电子有限公司		
			TITLE: USB TYPE C 16Pin 母头 单排 SMT 四脚插板 有柱		
X.	±0.30	X.XXX ±0.100	APPD:	PRODUCT NO: 1012-16F****01-***	
X.X	±0.25	X.X" ±3.00"	CHECK:	DATE	SCALE
X.XX	±0.15	X.XX" ±1.00"	DRAW:	UNIT	TYPE
				PAGE	
				2017.06.09	1:1
				mm	CD
					1/1



技术详询