

Features:

- BOTTOM DP and COMMA
- Grey face colour, White segment colour
- Fast reliable interconnection and mounting system without the need for a PCB
- Unique interlocking facility for accurate positioning of adjacent displays

- Position of the interlock common across the full range so that different digit sizes can be used within the same display
- Interlock dovetails have a light friction fit between units for ease of assembly
- Single font style across the full range (6 character heights available)
- Wide viewing angle

Font design

Product not shown
actual size



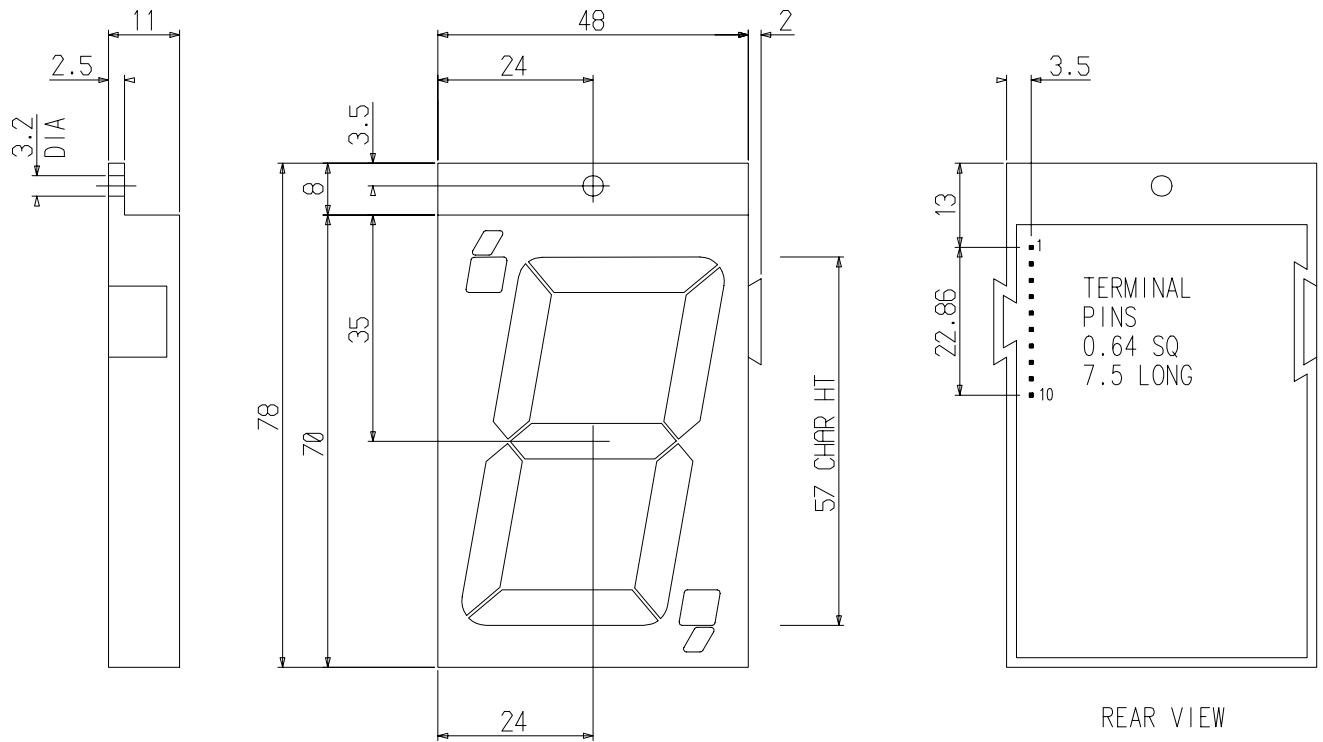
Electro / Optical Characteristics - $I_F = 20 \text{ mA}$ $T_a = 25^\circ \text{ C}$

Part Number - Common Cathode		Part Number - Common Anode		Emitting Colour	Wavelength Peak λ_P	Forward Voltage V_F		Luminous Intensity I_V	
Farnell	Forge Europa	Farnell	Forge Europa			typical	max	min	typical
366-5288	FEM-2301L0BGW			GaAlAs Red	660	7.40	8.00	-	72
366-5306	FEM-230130BGW	366-5290	FEM-230230BGW	HE Red	640	8.20	10.00	-	22
366-5318	FEM-230120BGW			Green	568	8.40	10.00	-	22
Units					nm	V		mcd per segment	

Maximum Ratings $T_a = 25^\circ \text{ C}$ - Derate above 25° C

Characteristic	Condition	Symbol	Rating	Units
Pulse Forward Current	0.1 duty cycle @ 1KHz	I_{FP}	100	mA
DC Forward Current		I_F	25	mA
Reverse Voltage	$I_R = 100 \mu\text{A}$	V_R	5	V
Power Dissipation		P_D	85	mW
Operating Temperature		T_{opr}	- 25 to + 80	$^\circ \text{ C}$
Storage Temperature		T_{stg}	- 30 to + 85	$^\circ \text{ C}$
Lead soldering temperature	1.6 mm from body - max 3 seconds		260	$^\circ \text{ C}$

Package Outline and Diagram



Tolerance
± 0.25 mm unless stated

