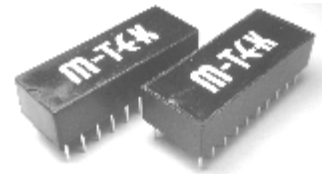


10/100 BASE-T TRANSFORMER MODULES

- F** Transformer Modules (10/100 Base-Tx) For Auto MDI / MDIX Applications.
- F** Compliant With IEEE 802.3 and ANSI X3.236 Standard Including Baseline Wander Compensation Specification Of 350uH OCL When Biased at 8mA From 0°C to 70°C.
- F** Available In Through Hole Package .
- F** For RoHS Part Add Suffix G.



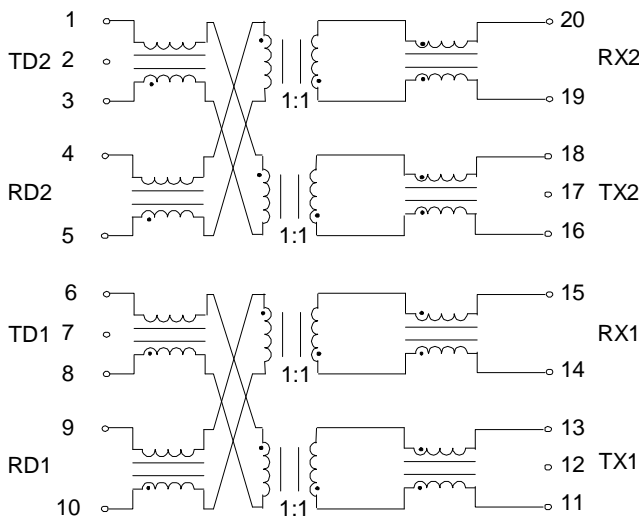
ELECTRICAL SPECIFICATIONS @ 25°C (Operating Temperature : 0°C to 70°C)

Part Number	Insertion Loss (dB max)		Return Loss (dB min)			CMRR (dB min)			Crosstalk (dB min)	
	0.3-100MHz	0.3-30MHz	40MHz	50MHz	60-80MHz	0.3-30MHz	60MHz	80-100MHz	0.3-30MHz	60-100MHz
H20201DL	-1.1	-18	-14.4	-13.1	-12	-40	-35	-30	-42	-33
H20202DL	-1.1	-18	-14.4	-13.1	-12	-40	-35	-30	-42	-33
H20203DL	-1.1	-18	-14.4	-13.1	-12	-40	-35	-30	-42	-33
H20204DL	-1.1	-18	-14.4	-13.1	-12	-40	-35	-30	-42	-33
H20205DL	-1.1	-18	-14.4	-13.1	-12	-40	-35	-30	-42	-33
H20206DL	-1.1	-18	-14.4	-13.1	-12	-40	-35	-30	-42	-33
H20207DL	-1.1	-18	-14.4	-13.1	-12	-40	-35	-30	-42	-33
H20208DL	-1.1	-18	-14.4	-13.1	-12	-40	-35	-30	-40	-38

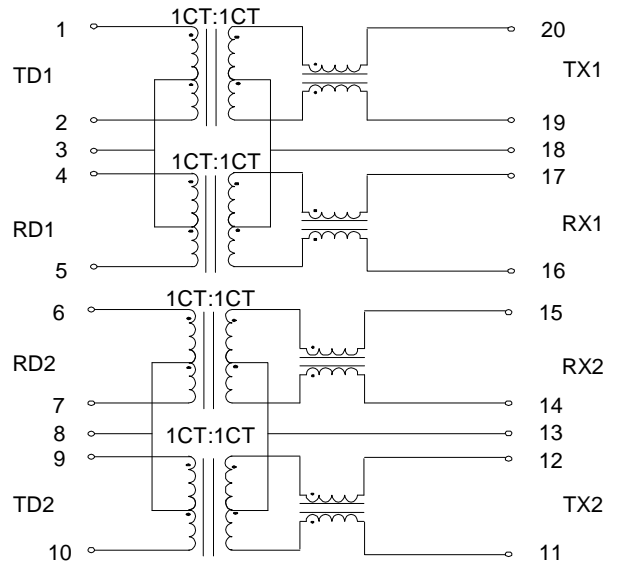
10/100 BASE-T TRANSFORMER MODULES

SCHEMATICS (Continued)

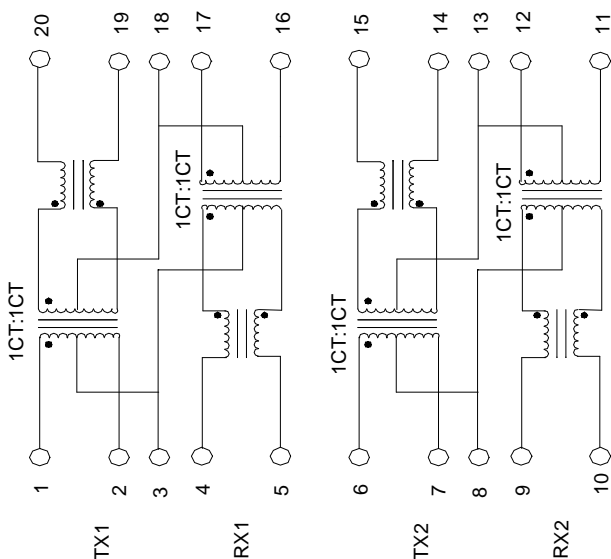
H20201DL



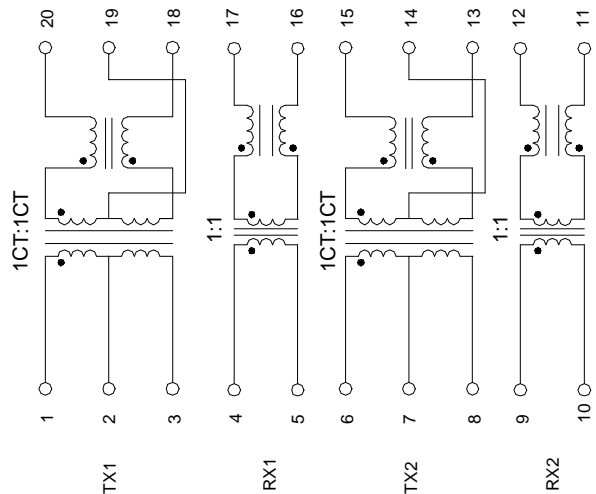
H20202DL



H20203DL



H20204DL



Head Office
MAGTEK TECHNOLOGY INC.
Tel : 886-3-3694878
Fax: 886-3-3690778

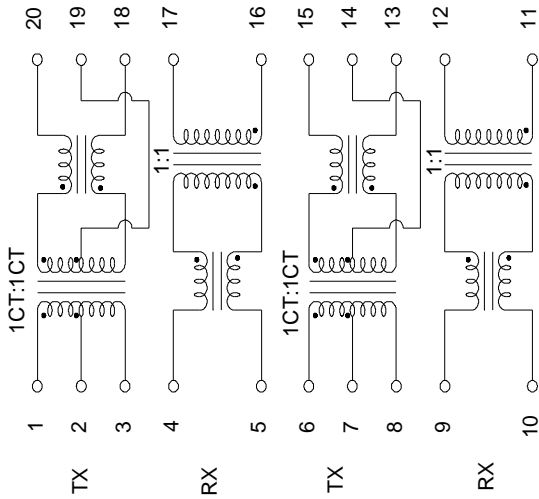
ShenZhen Office
MAGTEK TECHNOLOGY INC.
Tel : 286-755-83347151
Fax: 286-755-83363151

China Factory
MAGTEK INTERNATIONAL INC.
Tel : 286-769-86636536
Fax: 286-769-86326256

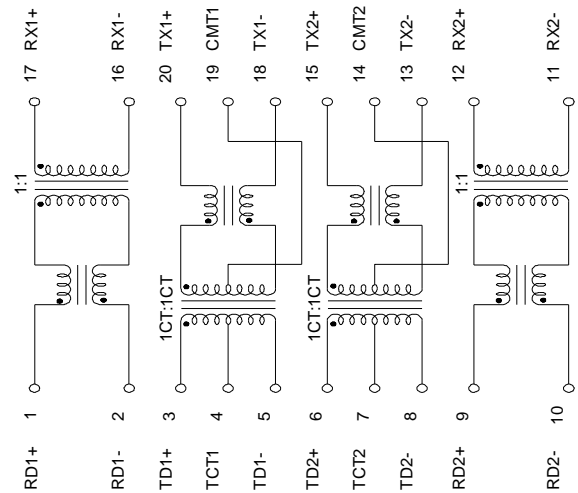
10/100 BASE-T TRANSFORMER MODULES

SCHEMATICS(Continued)

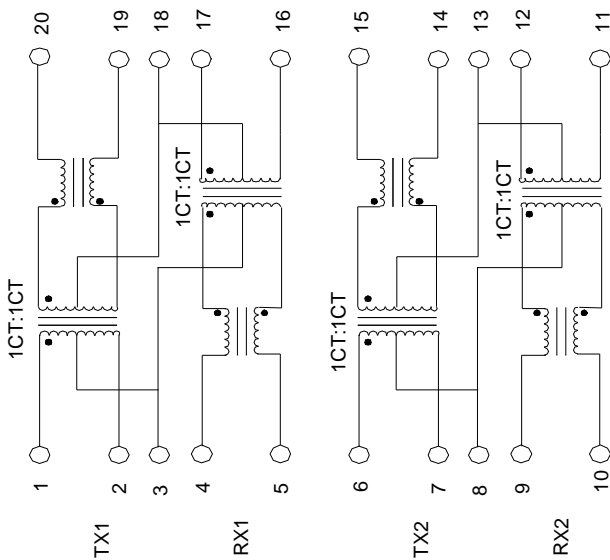
H20205DL



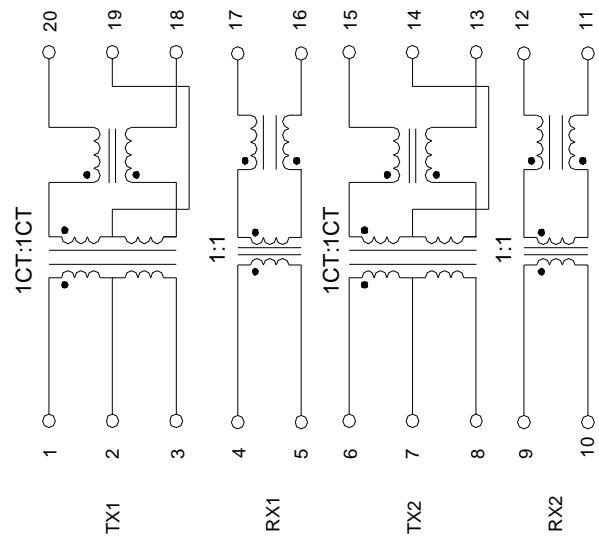
H20206DL



H20207DL



H20208DL



Head Office
MAGTEK TECHNOLOGY INC.
Tel : 886-3-3694878
Fax: 886-3-3690778

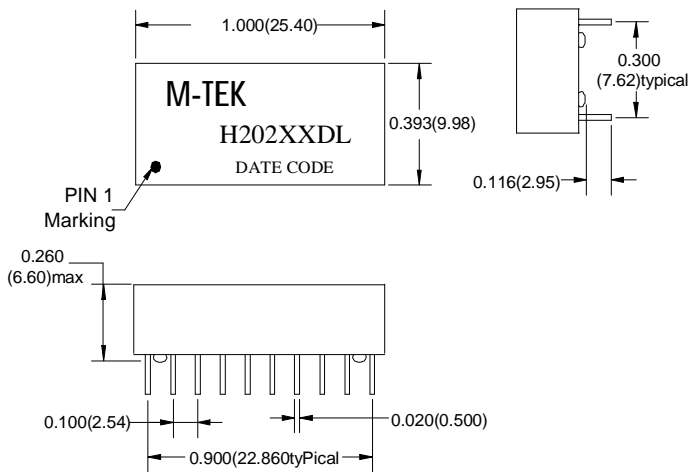
ShenZhen Office
MAGTEK TECHNOLOGY INC.
Tel : 286-755-83347151
Fax: 286-755-83363151

China Factory
MAGTEK INTERNATIONAL INC.
Tel : 286-769-86636536
Fax: 286-769-86326256

10/100 BASE-T TRANSFORMER MODULES

MECHANICAL SPECIFICATIONS

H202XXDL



DIMENSIONS : INCHES/(mm) UNLESS OTHERWISE SPECIFIED ALL TOLERANCES ARE $\pm 0.010(0.25)$.

Head Office
MAGTEK TECHNOLOGY INC.
Tel : 886-3-3694878
Fax: 886-3-3690778

ShenZhen Office
MAGTEK TECHNOLOGY INC.
Tel : 286-755-83347151
Fax: 286-755-83363151

China Factory
MAGTEK INTERNATIONAL INC.
Tel : 286-769-86636536
Fax: 286-769-86326256