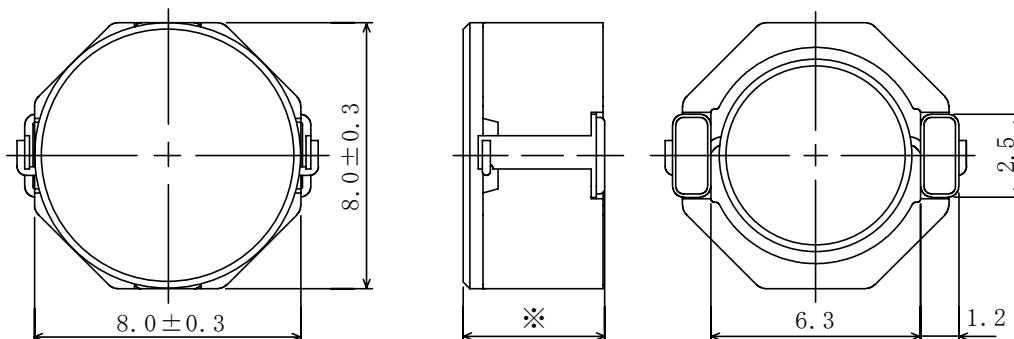


Type: CDRH8D43 , CDRH8D43/HP
◆ Product Description

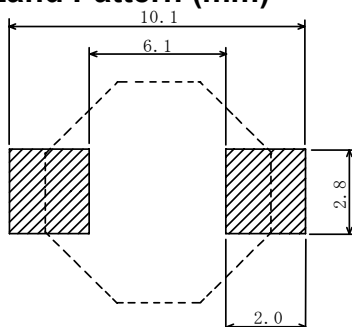
- 8.3×8.3mm Max.(L×W), 4.5 mm Max. Height. (CDRH8D43)
- 8.3×8.3mm Max.(L×W), 4.7 mm Max. Height. (CDRH8D43/HP)
- Both standard type CDRH8D43 and High Power Type CDRH8D43/HP are available.
- Inductance range: 0.68~100 μ H(CDRH8D43) ; 1.2~68 μ H(CDRH8D43/HP)
- Rated current range: 0.8~6.9A(CDRH8D43) ; 0.8~5.6A(CDRH8D43/HP).
- In addition to the standards versions shown here, custom inductors are also available to meet your exact requirements.


◆ Feature

- Magnetically shielded construction.
- Ideally used in Mobile phone, MP3, PDA ,HDD,DSC/DVC, etc as DC-DC Converter inductors.
- RoHS Compliance.

◆ Dimensions (mm)


※ Dimension: 4.5 MAX. (CDRH8D43)
4.7 MAX (CDRH8D43/HP)

◆ Land Pattern (mm)


Type: CDRH8D43, CDRH8D43/HP
◆ Specification(CDRH8D43)

Part Name ※	Stamp	Inductance [Within] 100kHz/1V	D.C.R.(m Ω) Max.(Typ.) (at 20°C)	Saturation Current (A) ※1	Temperature Rise current (A) ※2
CDRH8D43NP-R68N□	R68	0.68 μ H ± 35%	9.5(7.0)	9.0	6.9
CDRH8D43NP-1R2N□	1R2	1.2 μ H ± 35%	12.2(9.0)	8.0	6.2
CDRH8D43NP-2R0N□	2R0	2.0 μ H ± 30%	14(11)	7.0	5.5
CDRH8D43NP-3R9N□	3R9	3.9 μ H ± 30%	19(15)	5.9	4.5
CDRH8D43NP-4R7N□	4R7	4.7 μ H ± 30%	22(17)	5.6	4.1
CDRH8D43NP-6R8N□	6R8	6.8 μ H ± 30%	25(20)	4.4	3.9
CDRH8D43NP-100N□	100	10 μ H ± 30%	36(29)	4.0	3.2
CDRH8D43NP-150N□	150	15 μ H ± 30%	53(42)	2.9	2.3
CDRH8D43NP-220N□	220	22 μ H ± 30%	75(60)	2.6	1.8
CDRH8D43NP-330N□	330	33 μ H ± 30%	125(100)	2.2	1.4
CDRH8D43NP-470N□	470	47 μ H ± 30%	150(120)	1.8	1.3
CDRH8D43NP-680N□	680	68 μ H ± 30%	240(190)	1.5	1.0
CDRH8D43NP-101N□	101	100 μ H ± 30%	360(290)	1.3	0.8

◆ Specification(CDRH8D43/HP)

Part Name ※	Stamp	Inductance [Within] 100kHz/1V	D.C.R.(m Ω) Max.(Typ.) (at 20°C)	Saturation Current (A) ※1		Temperature rise current (A) ※2
				(at 20°C)	(at 100°C)	
CDRH8D43HPNP-1R2N□	1R2	1.2 μ H ± 30%	16.5(12.3)	12.6	10.8	5.6
CDRH8D43HPNP-2R7N□	2R7	2.7 μ H ± 30%	19.5(15.9)	8.6	7.0	5.1
CDRH8D43HPNP-4R7N□	4R7	4.7 μ H ± 30%	27.0(20.7)	6.2	5.2	3.9
CDRH8D43HPNP-6R8N□	6R8	6.8 μ H ± 30%	36.0(31.2)	5.6	4.5	3.3
CDRH8D43HPNP-100N□	100	10 μ H ± 30%	53.0(44.4)	4.3	3.5	2.5
CDRH8D43HPNP-150N□	150	15 μ H ± 30%	75.0(64.4)	3.7	2.9	2.0
CDRH8D43HPNP-220N□	220	22 μ H ± 30%	125(103)	3.0	2.4	1.5
CDRH8D43HPNP-330N□	330	33 μ H ± 30%	150(123)	2.5	2.0	1.4
CDRH8D43HPNP-470N□	470	47 μ H ± 30%	238(183)	2.0	1.6	1.2
CDRH8D43HPNP-680N□	680	68 μ H ± 30%	363(294)	1.6	1.4	0.8

※ Description of part name

CDRH8D43NP-R68N□



※1. Saturation current: The DC current at which the inductance decreases to 65% of its nominal value.

※2. Temperature rise current: The DC current at which the temperature rise is Δt=40°C.(Ta=20°C).

Mouser Electronics

Authorized Distributor

Click to View Pricing, Inventory, Delivery & Lifecycle Information:

[Sumida:](#)

[CLS62NP-220NC](#)