

TR 2X12 1A

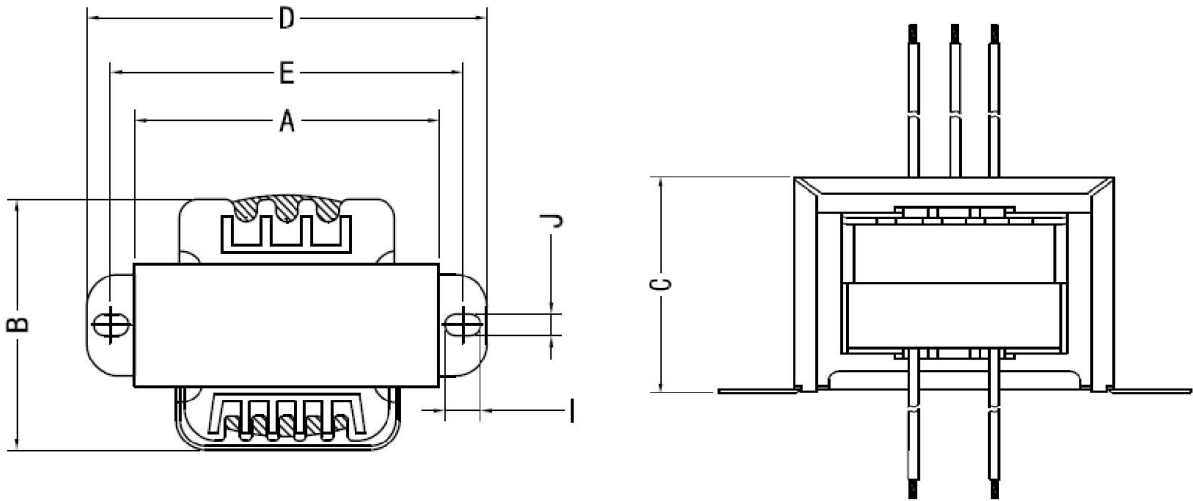


Transformer 220-2x12V

Transformer type mains
Primary voltage 220V AC
Secondary voltage 1 12V
Secondary voltage 2 12V
Secondary winding current 1 0.5A
Secondary winding current 2 0.5A
Output voltage 1 12 V
Output voltage 2 12 V
Supply voltage 230 VAC
Frequency: 50/60Hz
Temperature rise: $\leq 65^{\circ}\text{C}$
Winding: Copper
Usage: Power
Phase: Single
Coil Structure: EI
Coil Number: power transformer
Insulation: Class B, E, F,
Capacity: 1VA to 1000VA

Ei power transformer

Reference Dimensions (Unit: mm)



Model	Specification	A	B	C	D	E	I	J	Power
DX-EI28	EI-28X12	30	41	27	51	26	7	3	1.0W
	EI-28X15	30	41	27	51	28.6	7	3	1.5W
	EI-28X18	30	41	27	51	31.5	7	3	2.0W
DX-EI35	EI-35X10	37	49	31	59	27.4	6.4	4	1.0W
	EI-35X15	37	49	31	59	31.4	7	4	2.0W
DX-EI41	EI-41X20	43	55	35	65.3	37.8	6.3	4	6.0W
	EI-41X26	50	55	35	67	45.7	6.3	4	10.0W
DX-EI48	EI-48X20	50	63	43	75	38.3	8	4	10.0W
	EI-48X30	59	63	43	75	50	8	4	18.0W
DX-EI57	EI-57X25	59	74	50	84	48	7.3	4	20.0W
	EI-57X30	59	76	51	91	50.8	10	6	28.0W
	EI-57X35	68	76	51	91	56.8	10	4	36.0W
DX-EI66	EI-66X30	68	84	59	98	56.6	10	4	36.0W
	EI-66X35	68	84	59	98	59.8	10	4	50.0W
	EI-66X44	68	84	59.3	108	68.7	12	5	70.0W
DX-EI76	EI-76X32	78	95	67	108	64	8	4	52.0W
	EI-76X38	78	95	67	108	65.6	9	5	70.0W
	EI-76X45	78	93	67	106	75.2	9	5	90.0W