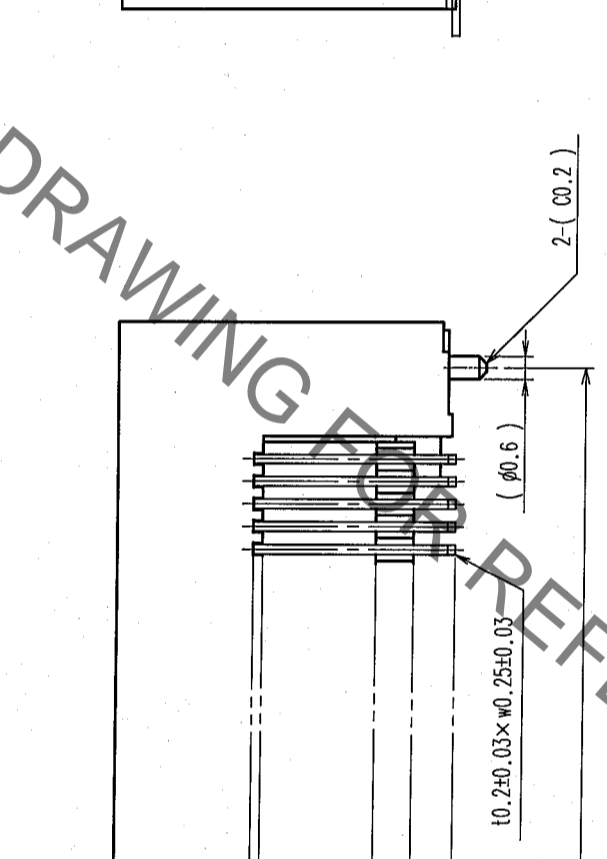
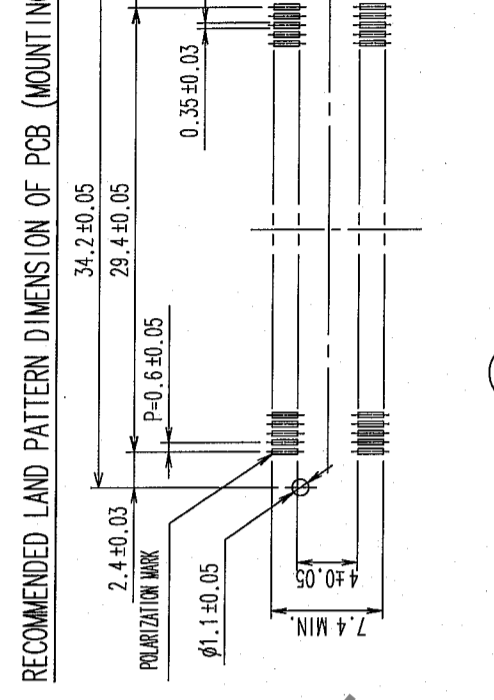
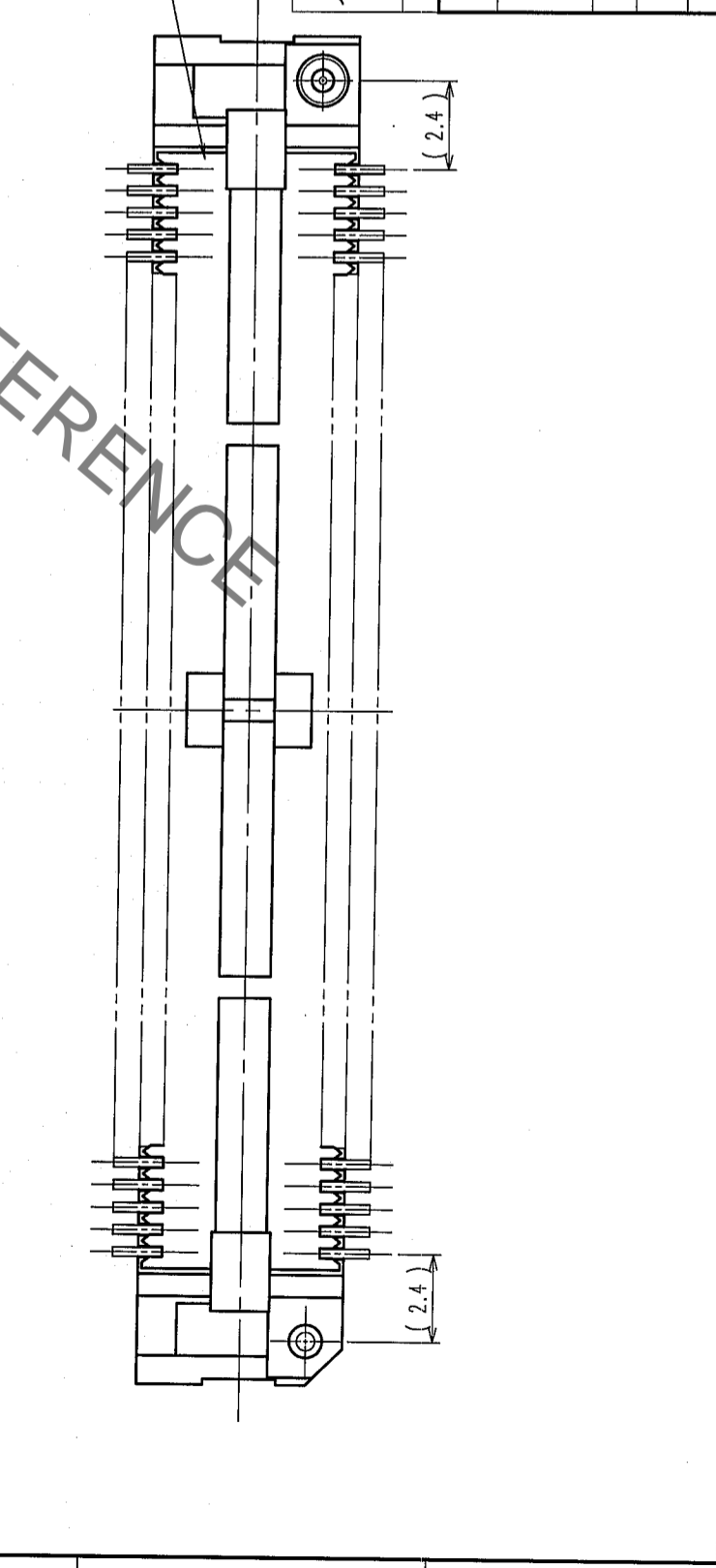
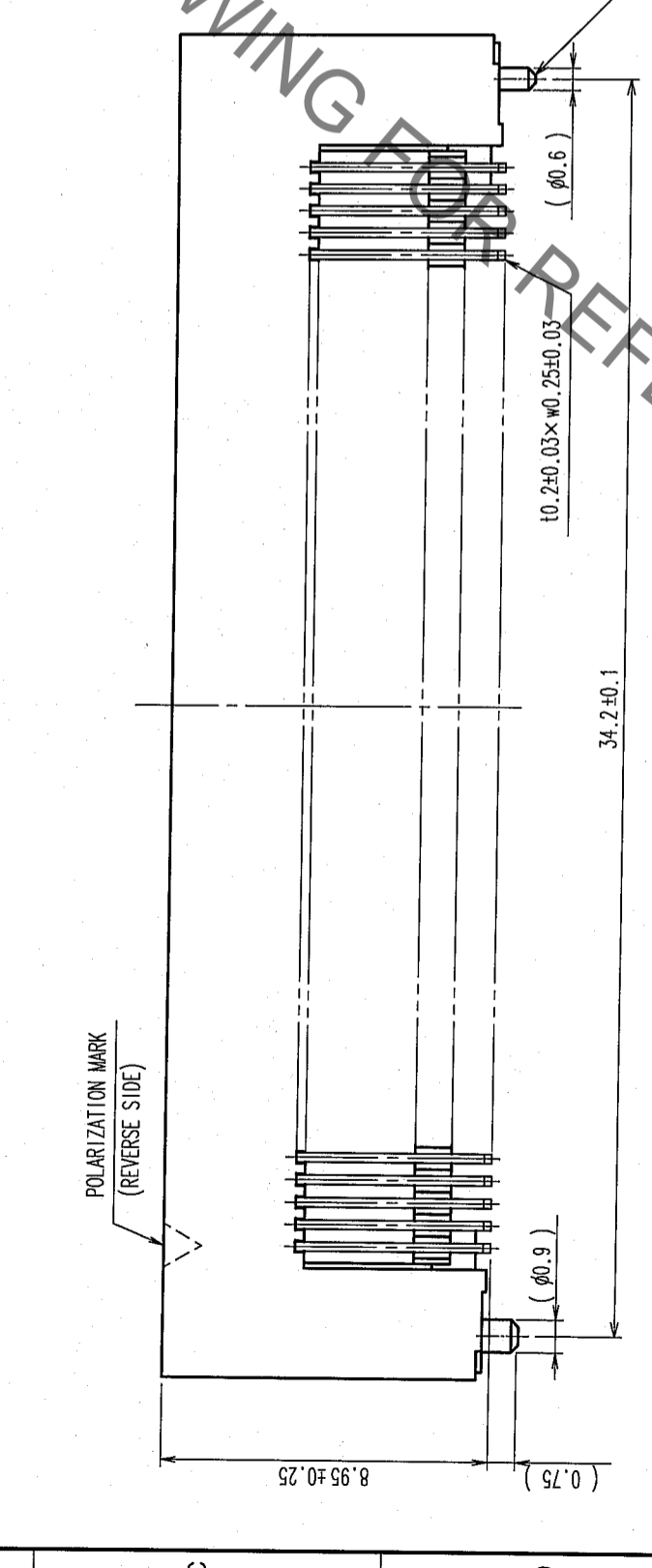
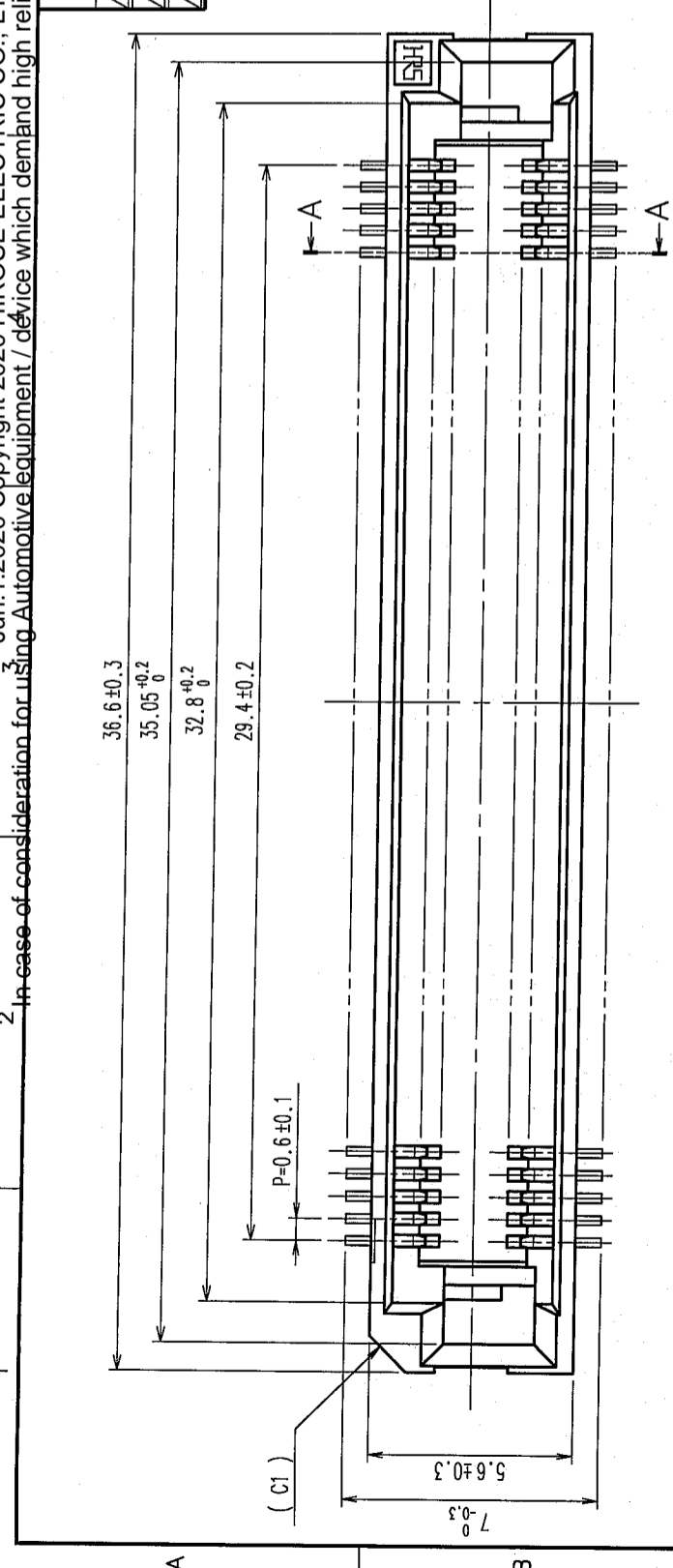


COUNT	DESCRIPTION OF REVISIONS	BY	CHKD	DATE	COUNT	DESCRIPTION OF REVISIONS	BY	CHKD	DATE
△					△				
△					△				
△					△				



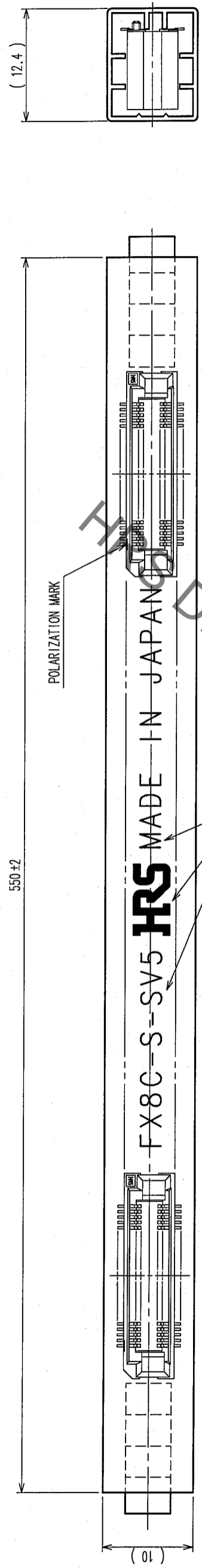
NOTE 1. LEAD CO-PLANARITY SHALL BE 0.1mm MAX.
 2. TUBE PACKAGING SHALL BE APPLIED FOR THIS PRODUCT.
 SEE NEXT PAGE FOR DETAILS.
 3. FOR MODIFICATION, ETC., PREVENTIVE HOLE FOR SINK MARK MAY BE ADDED ACCORDING TO CIRCUMSTANCES.
 4. THE DIMENSIONS IN PARENTHESES ARE FOR REFERENCE.



1, 3	POLYPHENYLENE SULFIDE	LIGHT BROWN (UL94V-0)	2	PHOSPHOR BRONZE	CONTACT AREA: GOLD 0.1μm min. LEAD AREA: TIN 1μm min. UNDER PLATING: NICKEL 1μm min.
NO.	MATERIAL	FINISH, REMARKS	NO.	MATERIAL	FINISH, REMARKS
CL					
DRAWN		DESIGNED	CHECKED	APPROVED	RELEASED
H. Sai		H. Sai	K. Ogawa	H. Okawa	
105.09.02		105.09.02	105.09.02	05.09.02	05.09.02
SCALE		PART NO.		DRAWING NO.	
5:1		FX8C-100S-SV5(91)		EDC3-150893-21	
UNITS		CODE NO.		HIROSE ELECTRIC CO., LTD	
mm		CL578-0825-0-91		HRS	
		1/2		8	

2 In case of consideration for using Automotive equipment / device which demand high reliability, kindly contact our sales window correspondents.

1	2	3	4	5	6	7	8		
COUNT	DESCRIPTION OF REVISIONS	BY	CHKD	DATE	COUNT	DESCRIPTION OF REVISIONS	BY	CHKD	DATE
△					△				
△					△				
△					△				

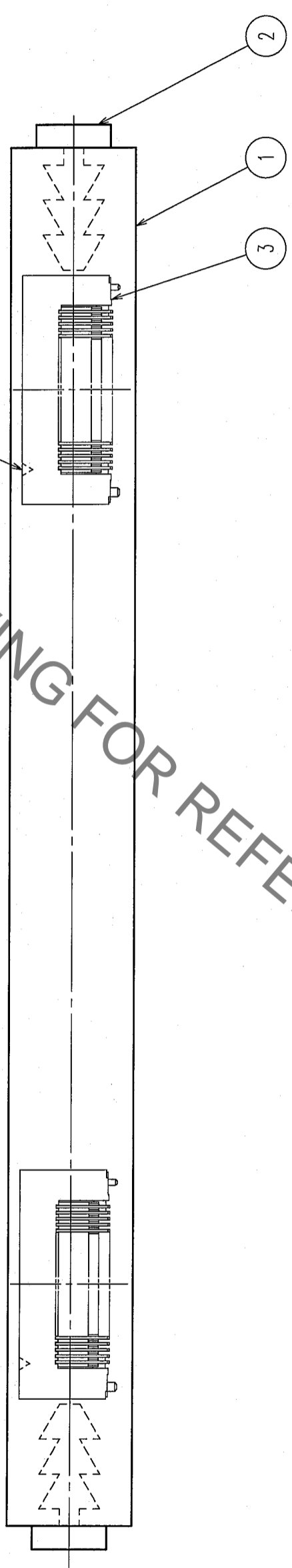


MARKING

POLARIZATION MARK

FX8C-S-SV5 HRS MADE IN JAPAN

POLARIZATION MARK (REVERSE SIDE)



NOTE 1. 1 TUBE : 14 CONNECTORS.
2. THE DIMENSIONS IN PARENTHESES ARE FOR REFERENCE.

TO	
PCK	

2		3 (CONNECTOR)	
NO.	MATERIAL	NO.	MATERIAL
1	POLYVINYL CHLORIDE	1	POLYVINYL CHLORIDE
	STOPPER		TUBE
FINISH, REMARKS		FINISH, REMARKS	
DRAWN		DESIGNED	
H. Doi		H. Doi	
DATE		DATE	
05.09.02		05.09.02	
DRAWING NO.		PART NO.	
EDC3-150893-21		FX8C-100S-SV5(91)	
SCALE		CODE NO.	
FREE		CL578-0825-0-91	
UNITS		FINISH, REMARKS	
mm		APPROVED	
		H. Okawa	
		05.09.02	
		05.09.02	
		RELEASED	

Mouser Electronics

Authorized Distributor

Click to View Pricing, Inventory, Delivery & Lifecycle Information:

[Hirose Electric:](#)

[FX8C-100S-SV5\(91\)](#)