

450mA LOW DROP OUT REGULATOR

DESCRIPTION

The AMC7638 series is a low dropout regulator rated for 450mA output current. Low power consumption and high accuracy is achieved through CMOS technology and internal trimmed reference voltage.

The AMC7638 series consists of a high-precision voltage reference, error correction circuit, and a current limit output driver. The fast transient response is an outstanding feature for applications with various loads

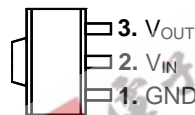
FEATURES

- 2% internally trimmed output
- Input-Output differential of typ. 360mV at 300mA & low quiescent current of 10 μ A in typical
- P-MOS output stage with low $R_{DS, ON}$
- Short circuit protection
- Internal thermal overload protection
- Enhanced pin-to-pin compatible to the XC62FP series, RT9261/A.
- 3-Lead SOT-89 and SOT-223 packages.
- Lead (Pb) free process

APPLICATIONS

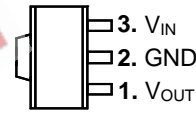
- CD ROM, DVD
- Wireless Communication Systems
- Digital Camera
- Battery Powered Applications

PACKAGE PIN OUT



AMC76381-X.XPKF

3-Pin Plastic SOT-89
Surface Mount
(Top View)

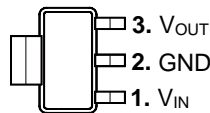


AMC76382-X.XPKF

3-Pin Plastic SOT-89
Surface Mount
(Top View)

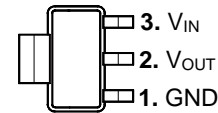
VOLTAGE OPTIONS

AMC76381-1.5 – 1.5V Fixed
 AMC76381-1.8 – 1.8V Fixed
 AMC76381-2.5 – 2.5V Fixed
 AMC76381-3.3 – 3.3V Fixed
 AMC76382-1.5 – 1.5V Fixed
 AMC76382-2.5 – 2.5V Fixed
 AMC76382-3.3 – 3.3V Fixed
 AMC76383-1.5 – 1.5V Fixed
 AMC76383-2.5 – 2.5V Fixed
 AMC76383-3.3 – 3.3V Fixed
 AMC76385-2.5 – 2.5V Fixed
 AMC76385-3.3 – 3.3V Fixed



AMC76383-X.XSKF

3-Pin Plastic SOT-223
Surface Mount
(Top View)



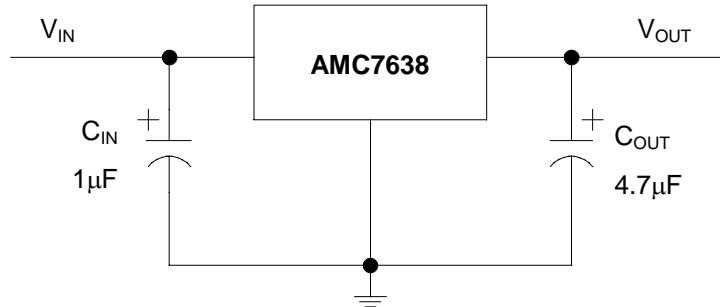
AMC76385-X.XSKF

3-Pin Plastic SOT-223
Surface Mount
(Top View)

ORDER INFORMATION

T _A (°C)	PK	Plastic SOT-89	SK	Plastic SOT-223
		3-pin		3-pin
-40 to 85		AMC76381-X.XPKF		
		AMC76382-X.XPKF		
			AMC76383-X.XSKF	
			AMC76385-X.XSKF	

Note: 1. All surface-mount packages are available in Tape & Reel.
 Append the letter "T" to part number (i.e. AMC76381-X.XPKFT, AMC76383-X.XSKFT).
 2. The letter "F" is marked for Lead Free process.

TYPICAL APPLICATION

ABSOLUTE MAXIMUM RATINGS (Note)

Input Voltage, V_{IN}	13V
Maximum Operating Junction Temperature, T_J	150°C
Storage Temperature Range	-65°C to 150°C
Lead Temperature (soldering, 10 seconds)	260°C

Note: Exceeding these ratings could cause damage to the device. All voltages are with respect to Ground. Currents are positive into, negative out of the specified terminal.

RECOMMENDED OPERATING CONDITIONS

Parameter	Symbol	Min.	Typ.	Max.	Units
Input Voltage	V_{IN}	3.0		10	V
Load Current (with adequate heat sinking)	I_o	5	300	500	mA
Input Capacitor (V_{IN} to GND)		0.1			µF
Output Capacitor with ESR of 10Ω max., (V_{OUT} to GND)		1.0			µF
Operating ambient temperature range	T_A	-40		85	°C
Operating junction temperature	T_J			125	°C

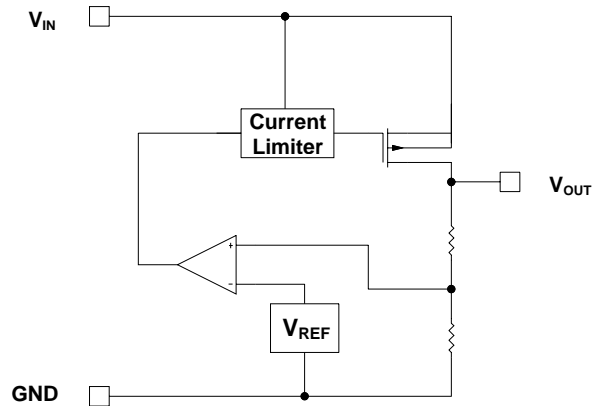
POWER DISSIPATION TABLE

Package	θ_{JA} (°C/W)	Derating factor (mW/°C) $T_A \geq 25^\circ\text{C}$	$T_A \leq 25^\circ\text{C}$ Power rating (mW)	$T_A = 70^\circ\text{C}$ Power rating (mW)	$T_A = 85^\circ\text{C}$ Power rating (mW)
PK	71(Note)	14.1	1763	1128	916

Note: $T_J = T_A + (P_D \times \theta_{JA})$
 P_D : Power dissipation.
 θ_{JA} : Thermal resistance from Junction to Ambient.

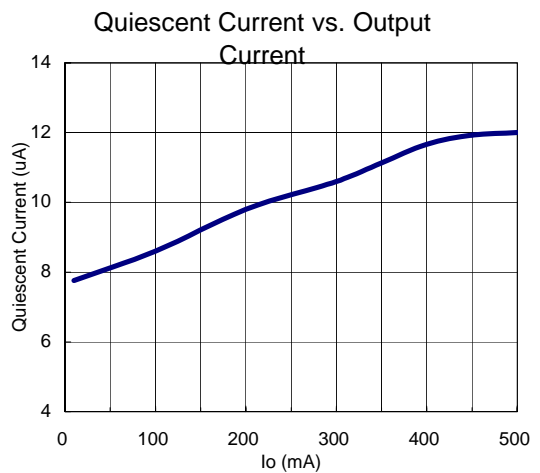
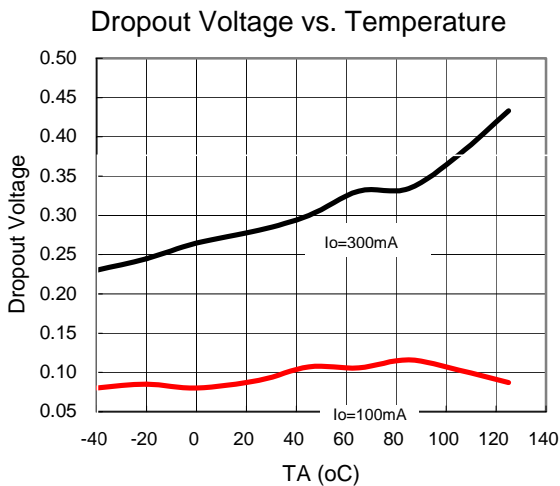
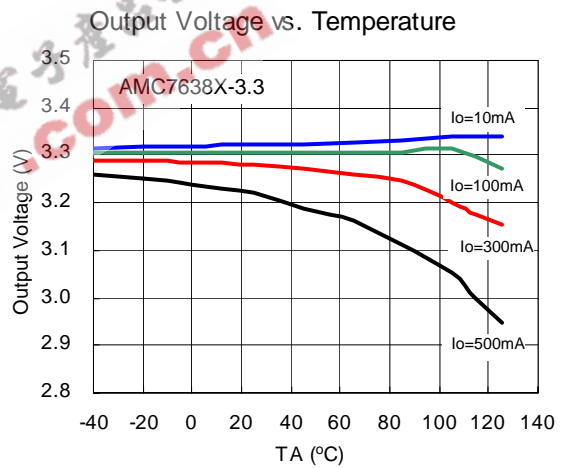
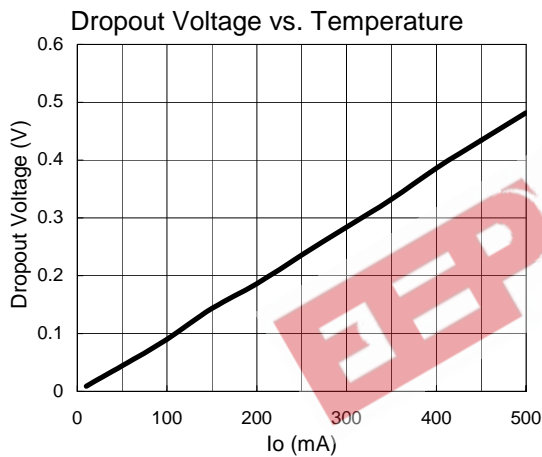
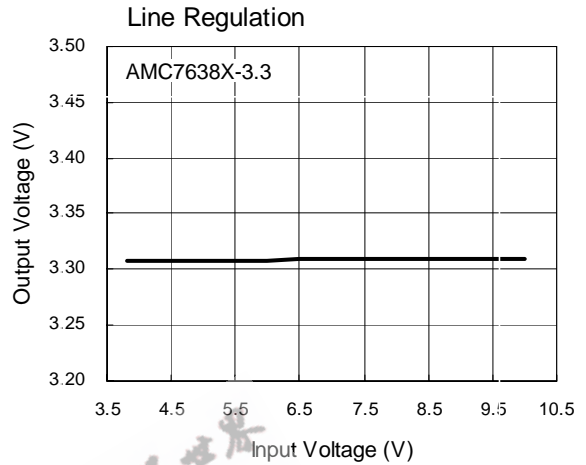
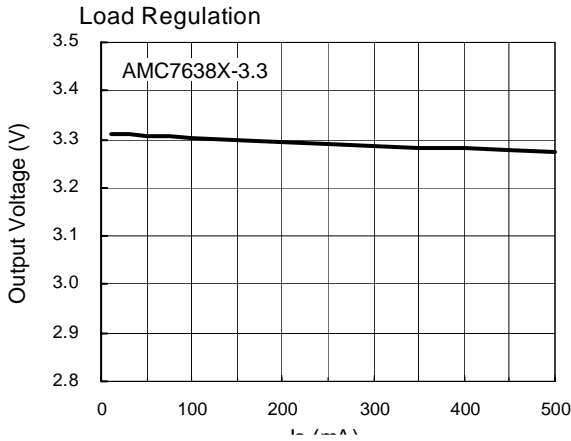
For PK package, $\theta_{JT} = 35^\circ\text{C/W}$.
 $T_J = T_{TAB} + (P_D \times \theta_{JT})$
 T_{TAB} : Tab temperature.
 θ_{JT} : Thermal resistance from junction to tab of the package.

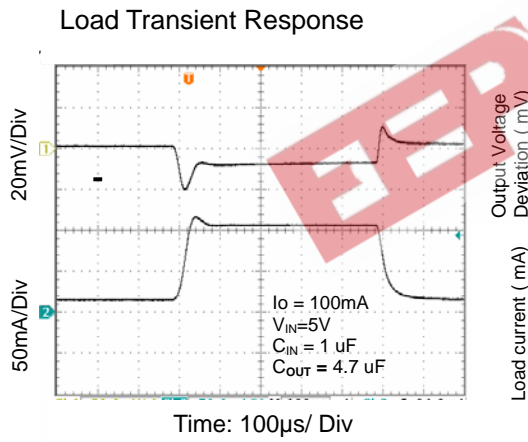
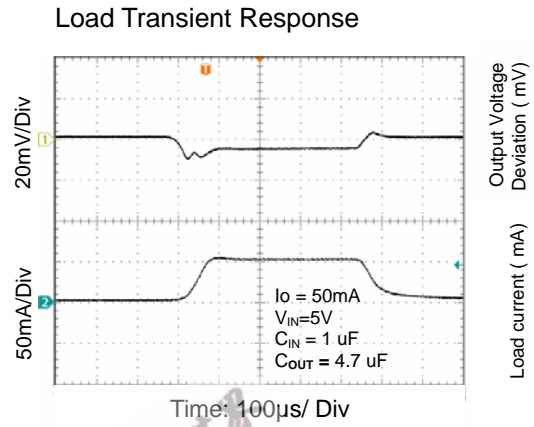
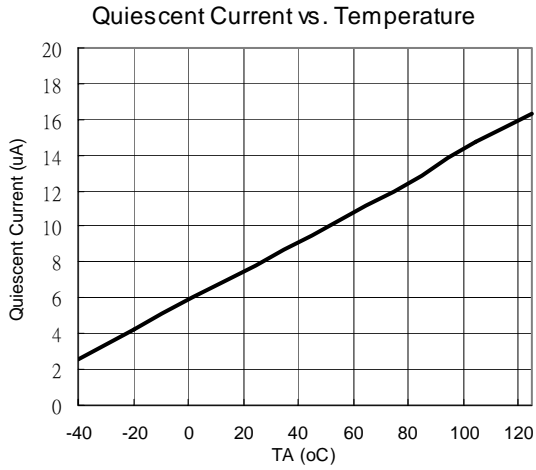
The θ_{JA} numbers are guidelines for the thermal performance of the device/PC-board system.
 All of the above assume no ambient airflow.

BLOCK DIAGRAM

ELECTRICAL CHARACTERISTICS

Unless otherwise specified, $V_{IN} = V_{OUT(TYP)} + 1V$, $I_O = 10mA$, $C_{OUT} = 4.7\mu F$, $T_A = 25^\circ C$. (Low duty cycle pulse testing techniques are used which maintains junction and case temperatures equal to the ambient temperature.)

Parameter		Symbol	Test Conditions	Min	Typ	Max	Units	
Output Voltage	AMC7638X-1.5	V_O	$I_O = 10mA$	1.470	1.500	1.530	V	
	AMC7638X-1.8			1.764	1.800	1.836		
	AMC7638X-2.5			2.450	2.500	2.550		
	AMC7638X-3.3			3.234	3.300	3.366		
Line Regulation		ΔV_{OI}	$V_{IN} = (V_{OUT} + 0.5V)$ to 10V		0.2	0.4	%/V	
Load regulation		ΔV_{OL}	$10mA \leq I_O \leq 100mA$		15	30	mV	
			$10mA \leq I_O \leq 300mA$		45	80		
Dropout Voltage		ΔV	$V_O > 2.5V$	$I_O = 100mA$		100	180	mV
				$I_O = 300mA$		300	550	
			$2.0V < V_O \leq 2.5V$	$I_O = 100mA$		150	300	
				$I_O = 300mA$		450	800	
			$V_O \leq 2.0V$	$I_O = 100mA$		200	400	
				$I_O = 300mA$		600	1100	
Ground Pin Current		I_Q	$I_O = 10mA \sim 300mA$		8	20	μA	
Current Limit		I_{CL}	$V_{IN} = V_{OUT} + 0.5V$	400			mA	
Output Voltage Temperature Coefficient			$I_O = 100mA$, $-40^\circ C \leq T_J \leq 125^\circ C$		± 100		ppm/ $^\circ C$	

CHARACTERISTIC CURVES


CHARACTERIZATION CURVES (Continued)


APPLICATION INFORMATION
The maximum power dissipation of a single-output regulator

$$P_{D(MAX)} = [(V_{IN(MAX)} - V_{OUT(NOM)}) \times I_{OUT(NOM)} + V_{IN(MAX)} \times I_Q]$$

$V_{OUT(NOM)}$ = the nominal output voltage
 $I_{OUT(NOM)}$ = the nominal output current, and
 I_Q = the quiescent current the regulator consumes at $I_{OUT(MAX)}$
 $V_{IN(MAX)}$ = the maximum input voltage

Thermal consideration

The AMC7638 series have internal power and thermal limiting circuitry designed to protect the device under overload conditions. However maximum junction temperature ratings should not be exceeded under continuous normal load conditions. The thermal protection circuit of AMC7638 series will prevent the device from damage due to excessive power dissipation. When the device temperature rises to approximately 150°C, the regulator will be turned off.

When power consumption is over about 775mW (SOT89 package, at $T_A=70^\circ\text{C}$), additional heat sink is required to control the junction temperature below 125°C.

The junction temperature is: $T_J = P_D (\theta_{JT} + \theta_{CS} + \theta_{SA}) + T_A$

P_D : Dissipated power.

θ_{JT} : Thermal resistance from the junction to the mounting tab of the package.

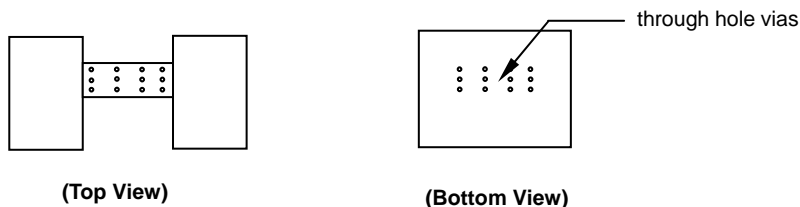
θ_{CS} : Thermal resistance through the interface between the IC and the surface on which it is mounted.
(typically, $\theta_{CS} < 1.0^\circ\text{C/W}$)

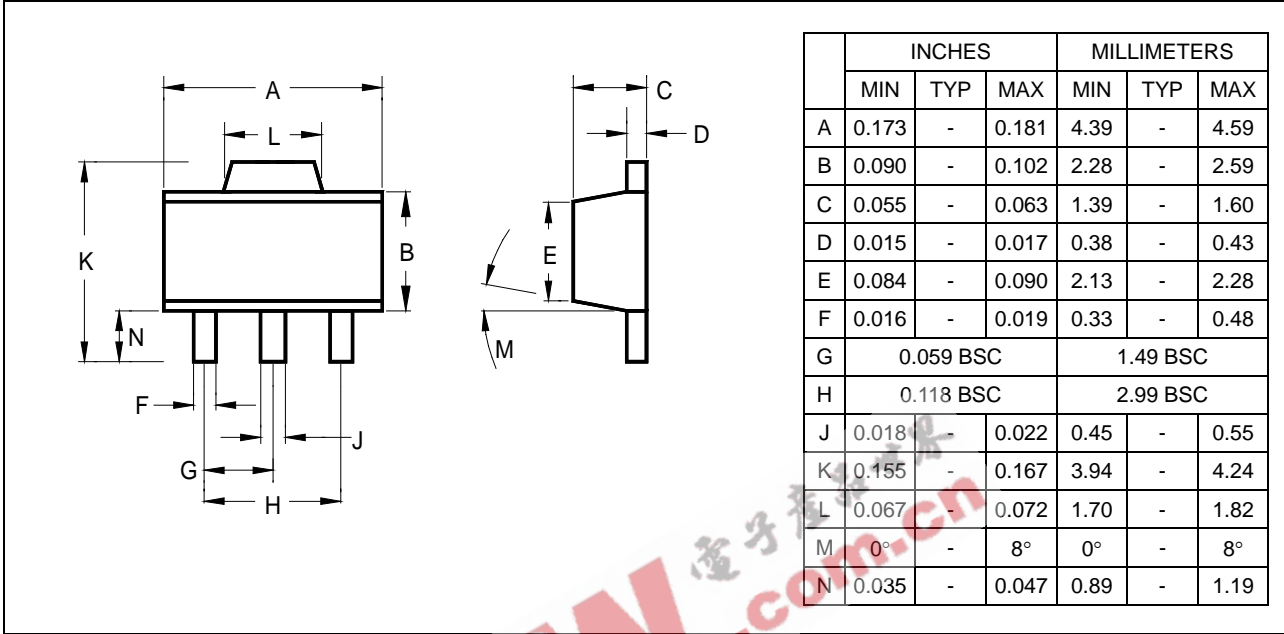
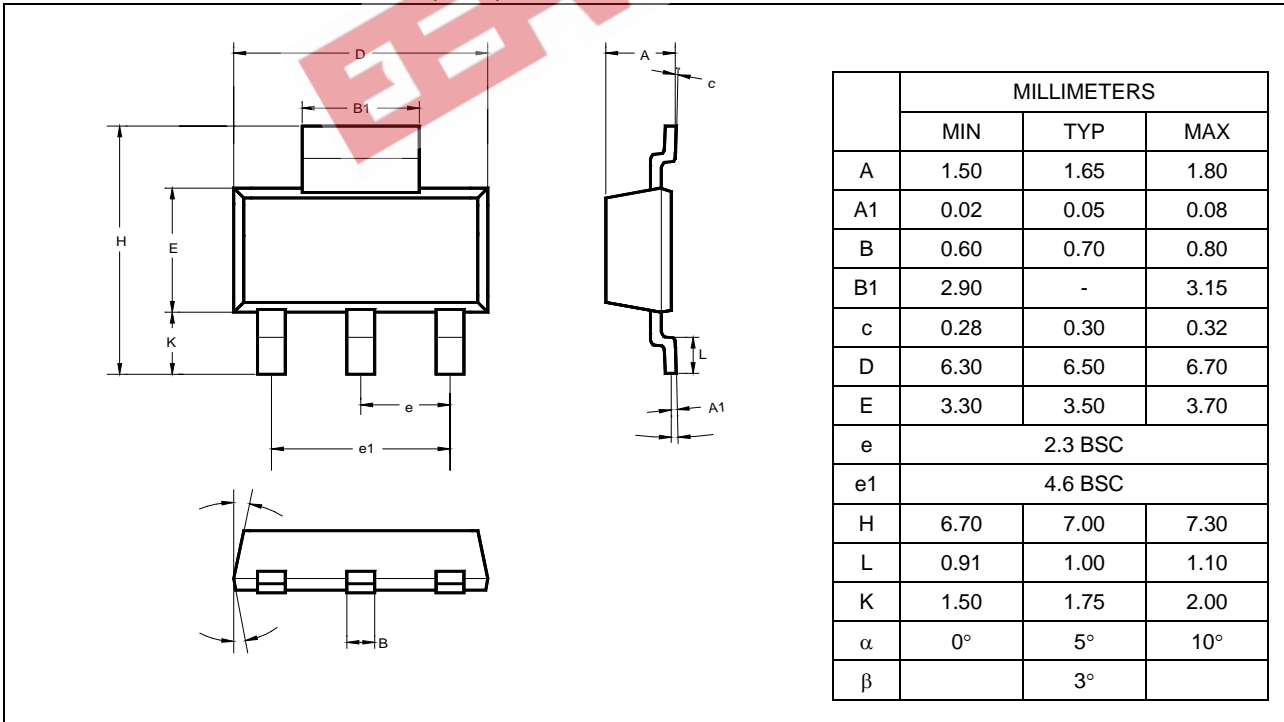
θ_{SA} : Thermal resistance from the mounting surface to ambient (thermal resistance of the heat sink).

If PC Board copper is going to be used as a heat sink, below table can be used to determine the appropriate size of copper foil required. For multi-layered PCB, these layers can also be used as a heat sink. They can be connected with several through hole vias.

PCB θ_{SA} ($^\circ\text{C/W}$)	59	45	38	33	27	24	21
PCB heat sink size (mm^2)	500	1000	1500	2000	3000	4000	5000

Recommended figure of PCB area used as a heat sink.



PACKAGE
3-Pin Surface Mount SOT-89

3-Pin Surface Mount SOT-223 (SK)


IMPORTANT NOTICE

ADDtek reserves the right to make changes to its products or to discontinue any integrated circuit product or service without notice, and advises its customers to obtain the latest version of relevant information to verify, before placing orders, that the information being relied on is current.

A few applications using integrated circuit products may involve potential risks of death, personal injury, or severe property or environmental damage. ADDtek integrated circuit products are not designed, intended, authorized, or warranted to be suitable for use in life-support applications, devices or systems or other critical applications. Use of ADDtek products in such applications is understood to be fully at the risk of the customer. In order to minimize risks associated with the customer's applications, the customer should provide adequate design and operating safeguards.

ADDtek assumes no liability to customer product design or application support. ADDtek warrants the performance of its products to the specifications applicable at the time of sale.

EEPW 电子产业网
.com.cn

ADDtek Corp.

9F, No. 20, Sec. 3, Bade Rd., Taipei, Taiwan, 105

TEL: 2-25700299

FAX: 2-25700196
