

# Customer Information Sheet

DRAWING No. : M80-04100XX

SHEET 2 OF 2

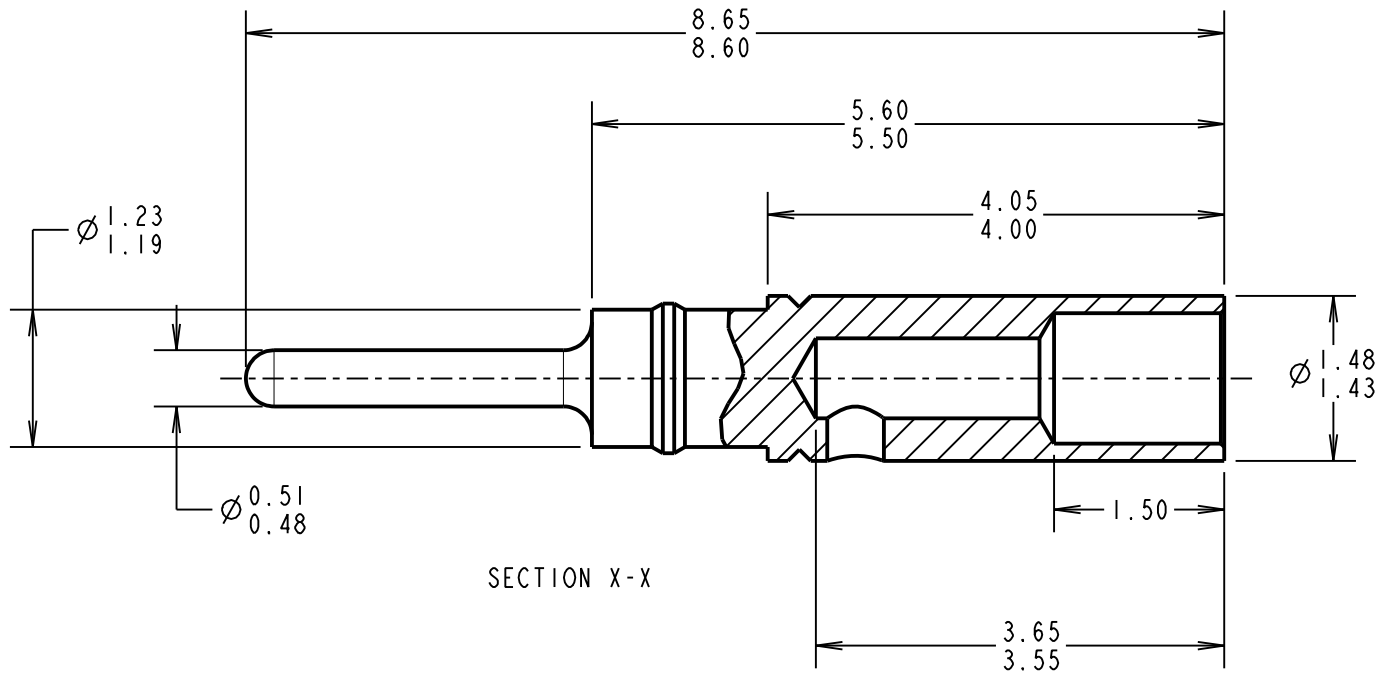
IF IN DOUBT - ASK

©

NOT TO SCALE

THIRD ANGLE PROJECTION

ALL DIMENSIONS IN mm



NOTES:

- FOR USE WITH 24-28 AWG BS3G210 TYPE A PTFE INSULATED EQUIPMENT WIRE, MAXIMUM DIAMETER  $\varnothing 1.10$ mm.
- TO BE USED AS REPLACEMENT CONTACTS IN SMALL BORE MALE CRIMP DATAMATE ASSEMBLIES M80-812XXXX (LATCHED) AND M80-816XXXX (FRICTION LATCH).
- SEE INSTRUCTION SHEET IS-01 FOR CRIMPING INSTRUCTIONS.

ORDER CODE:

**M80-0410005**

FINISH \_\_\_\_\_  
05 - 0.25-0.30 $\mu$ m GOLD

FM	17	15.01.18	20049
NAME	ISS.	DATE	C/NOTE
APPROVED:		F. MCGOWAN	
CHECKED:		M. PLESTED	
DRAWN:		W. J. BOURNE	
CUSTOMER REF.:			
ASSEMBLY DRG:			

**HARWIN**

www.harwin.com  
technical@harwin.com

THIS DRAWING AND ANY INFORMATION OR DESCRIPTIVE MATTER SET OUT HEREON ARE CONFIDENTIAL AND COPYRIGHT PROPERTY OF THE HARWIN GROUP AND MUST NOT BE DISCLOSED, LOANED, COPIED OR USED FOR MANUFACTURING, TENDERING OR FOR ANY OTHER PURPOSE WITHOUT THEIR WRITTEN PERMISSION.

TOLERANCES

X. =  $\pm 1$ mm  
X.X =  $\pm 0.50$ mm  
X.XX =  $\pm 0.10$ mm  
X.XXX =  $\pm 0.01$ mm  
ANGLES =  $\pm 5^\circ$   
UNLESS STATED

MATERIAL:

BRASS

FINISH: SEE ORDER CODE

S/AREA: mm<sup>2</sup>

TITLE:

CRIMP PLUG CONTACT (SMALL BORE)

DRAWING NUMBER:

**M80-0410005**

SHT  
2 OF 2

# Mouser Electronics

Authorized Distributor

Click to View Pricing, Inventory, Delivery & Lifecycle Information:

[Harwin:](#)

[M80-0410005](#)