

DESCRIPTION

The HY6264A/ HY6264A-I is a high-speed, low power and 8,192x8-bits CMOS static RAM fabricated using Hyundai's high performance twin tub CMOS process technology. This high reliability process coupled with innovative circuit design techniques, yields maximum access time of 70ns. The HY6264A/HY6264A-I has a data retention mode that guarantees data to remain valid at the minimum power supply voltage of 2.0 volt. Using the CMOS technology, supply voltage from 2.0 to 5.5 volt has little effect on supply current in the data retention mode. Reducing the supply voltage to minimize current drain is unnecessary for the HY6264A/ HY6264A-I Series.

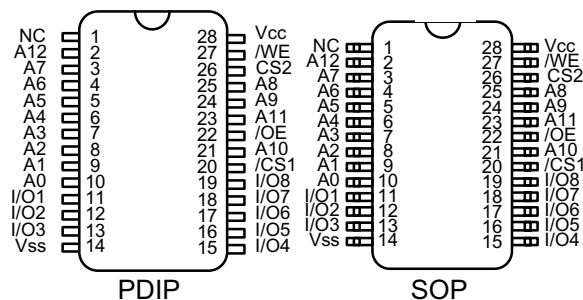
FEATURES

- Fully static operation and Tri-state outputs
- TTL compatible inputs and outputs
- Low power consumption
- Battery backup(L/LL-part)
-2.0V(min.) data retention
- Standard pin configuration
-28 pin 600 mil PDIP
-28 pin 330 mil SOP

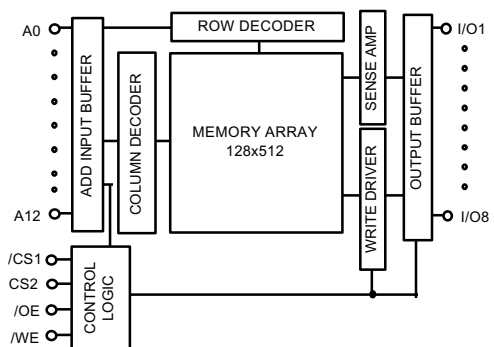
Product No.	Voltage (V)	Speed (ns)	Operation Current(mA)	Standby Current(uA)			Temperature (i)
					L	LL	
HY6264A	5.0	70/85/100	50	1mA	100	10	0~70(Normal)
HY6264A-I	5.0	70/85/100	50	-	100	30	-40~85(E.T.)

Note 1. E.T. : Extended Temperature, Normal : Normal Temperature
 2. Current value is max.

PIN CONNECTION



BLOCK DIAGRAM



PIN DESCRIPTION

Pin Name	Pin Function	Pin Name	Pin Function
/CS1	Chip Select 1	I/O1-I/O8	Data Input/Output
CS2	Chip Select 2	Vcc	Power(+5V)
/WE	Write Enable	Vss	Ground
/OE	Output Enable	NC	No Connect
	Address Inputs		

ORDERING INFORMATION

PART NO.	SPEED	POWER	TEMP.	PACKAGE
HY6264AP	70/85/100			PDIP
HY6264ALP	70/85/100	L-part		PDIP
HY6264ALLP	70/85/100	LL-part		PDIP
HY6264AJ	70/85/100			SOP
HY6264ALJ	70/85/100	L-part		SOP
HY6264ALLJ	70/85/100	LL-part		SOP
HY6264ALP-I	70/85/100	L-part	E.T.	PDIP
HY6264ALLP-I	70/85/100	LL-part	E.T.	PDIP
HY6264ALJ-I	70/85/100	L-part	E.T.	SOP
HY6264ALLJ-I	70/85/100	LL-part	E.T.	SOP

ABSOLUTE MAXIMUM RATING (1)

Symbol	Parameter	Rating	Unit	Remark
V _{CC} , V _{IN} , V _{OUT}	Power Supply, Input/Output Voltage	-0.5 to 7.0	V	
T _A	Operating Temperature	0 to 70	i	HY6264A
		-40 to 85	i	HY6264A-I
T _{STG}	Storage Temperature	-65 to 125	i	
P _D	Power Dissipation	1.0	W	
I _{OUT}	Data Output Current	50	mA	
T _{SOLDER}	Lead Soldering Temperature & Time	260•10	i • sec	

Note

- Stresses greater than those listed under ABSOLUTE MAXIMUM RATINGS may cause permanent damage to the device. This is stress rating only and the functional operation of the device under these or any other conditions above those indicated in the operation of this specification is not implied. Exposure to the absolute maximum rating conditions for an extended period may affect reliability.

RECOMMENDED DC OPERATING CONDITIONS

 T_A=0°C TO 70°C /-40°C TO 85°C

Symbol	Parameter	Min.	Typ.	Max.	Unit
V _{CC}	Supply Voltage	4.5	5.0	5.5	V
V _{IH}	Input High Voltage	2.2	-	V _{CC} +0.5	V
V _{IL}	Input Low Voltage	-0.5(1)	-	0.8	V

Note

- V_{IL} = -3.0V for pulse width less than 50ns

TRUTH TABLE

/CS1	CS2	/WE	/OE	MODE	I/O OPERATION
H	X	X	X	Standby	High-Z
X	L	X	X		High-Z
L	H	H	H	Output Disabled	High-Z
L	H	H	L	Read	Data Out
L	H	L	X	Write	Data In

Note

- H=V_{IH}, L=V_{IL}, X=Don't Care

DC ELECTRICAL CHARACTERISTICS

V_{CC} = 5.0V_i 10%, T_A = 0_i to 70_i (Normal)/ -40_i to 85_i (E.T.) unless otherwise specified

Symbol	Parameter		Test Condition	Min	Typ	Max	Unit
I _{LI}	Input Leakage Current		V _{SS} _i ^ V _{IN} _i ^ V _{CC}	-1	-	1	uA
I _{LO}	Output Leakage Current		V _{SS} _i ^ V _{OUT} _i ^ V _{CC} /CS1=V _{IH} or CS2=V _{IL} or /OE = V _{IH} or /WE = V _{IL}	-1	-	1	uA
I _{CC}	Operating Power Supply Current		/CS1 = V _{IL} , CS2=V _{IH} , V _{IN} = V _{IH} or V _{IL} , I _{I/O} = 0mA	-	30	50	mA
I _{CC1}	Average Operating Current		/CS1 = V _{IL} , CS2=V _{IH} Min. Duty Cycle = 100%, I _{I/O} = 0mA	-	30	50	mA
I _{SB}	TTL Standby Current (TTL Input)		/CS1 = V _{IH} or CS2=V _{IL}	-	0.4	2	mA
I _{SB1}	CMOS Standby Current (CMOS Input)	HY6264A	/CS1 _i ^ V _{CC} - 0.2V, CS2 _i ^ 0.2V, or CS2 _i ^ V _{CC} -0.2V	-	-	1	mA
		L		-	2	100	uA
		LL		-	1	10	uA
		L		-	2	100	uA
		LL		-	1	30	uA
V _{OL}	Output Low Voltage		I _{OL} = 2.1mA	-	-	0.4	V
V _{OH}	Output High Voltage		I _{OH} = -1.0mA	2.4	-	-	V

Note : Typical values are at V_{CC} = 5.0V, T_A = 25_i

AC CHARACTERISTICS

V_{CC} = 5.0V_i 10%, T_A = 0_i to 70_i (Normal) / -40_i to 85_i (E.T.), unless otherwise noted

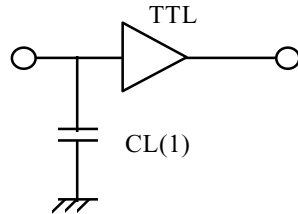
#	Symbol	Parameter	-70		-85		-10		Unit
			Min	Max	Min	Max	Min	Max	
READ CYCLE									
1	t _{RC}	Read Cycle Time	70	-	85	-	100	-	ns
2	t _{AA}	Address Access Time	-	70	-	85	-	100	ns
3	t _{ACS}	Chip Select Access Time	-	70	-	85	-	100	ns
4	t _{OE}	Output Enable to Output Valid	-	45	-	50	-	55	ns
5	t _{CLZ}	Chip Select to Output in Low Z	10	-	10	-	10	-	ns
6	t _{OLZ}	Output Enable to Output in Low Z	5	-	5	-	5	-	ns
7	t _{CHZ}	Chip Deselection to Output in High Z	0	30	0	35	0	35	ns
8	t _{OHZ}	Out Disable to Output in High Z	0	30	0	35	0	35	ns
9	t _{OH}	Output Hold from Address Change	5	-	5	-	10	-	ns
WRITE CYCLE									
10	t _{WC}	Write Cycle Time	70	-	85	-	100	-	ns
11	t _{CW}	Chip Selection to End of Write	55	-	60	-	70	-	ns
12	t _{AW}	Address Valid to End of Write	55	-	60	-	70	-	ns
13	t _{AS}	Address Set-up Time	0	-	0	-	0	-	ns
14	t _{WP}	Write Pulse Width	50	-	55	-	60	-	ns
15	t _{WR}	Write Recovery Time	0	-	0	-	0	-	ns
16	t _{WHZ}	Write to Output in High Z	0	30	0	35	0	35	ns
17	t _{DW}	Data to Write Time Overlap	35	-	35	-	40	-	ns
18	t _{DH}	Data Hold from Write Time	0	-	0	-	0	-	ns
19	t _{OW}	Output Active from End of Write	5	-	5	-	5	-	ns

AC TEST CONDITIONS

TA = 0_i to 70_i (Normal) / -40_i to 85_i (E.T.), unless otherwise specified.

PARAMETER	Value
Input Pulse Level	0.8V to 2.4V
Input Rise and Fall Time	5ns
Input and Output Timing Reference Level	1.5V
Output Load	CL = 100pF + 1TTL Load

AC TEST LOADS



Note : Including jig and scope capacitance

CAPACITANCE

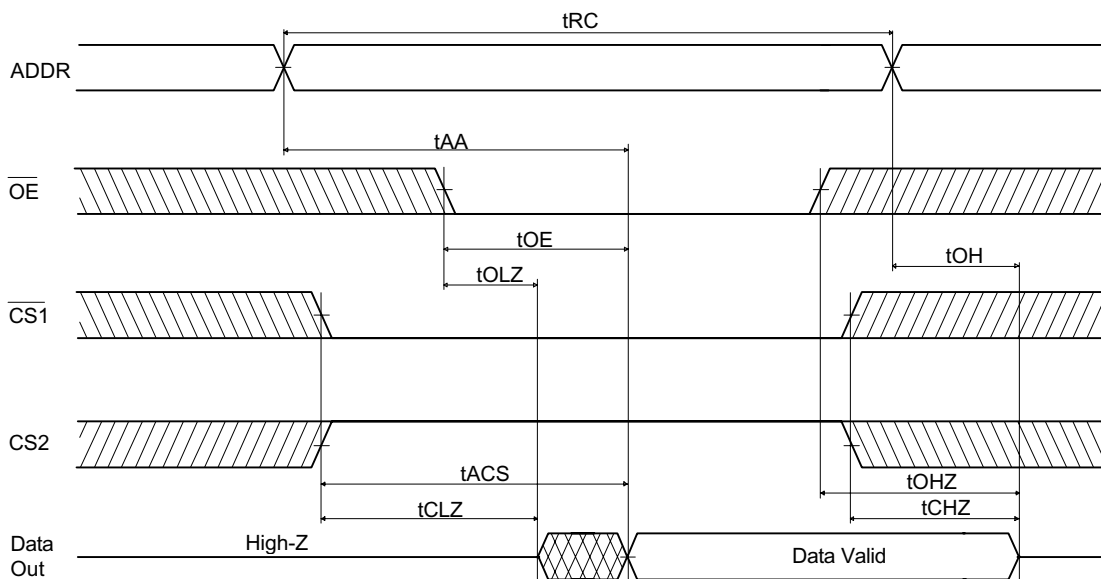
Temp = 25_i , f= 1.0MHz

Symbol	Parameter	Condition	Max.	Unit
C _{IN}	Input Capacitance	V _{IN} = 0V	6	pF
C _{I/O}	Input/Output Capacitance	V _{I/O} = 0V	8	pF

Note : These parameter are sampled and not 100% tested

TIMING DIAGRAM

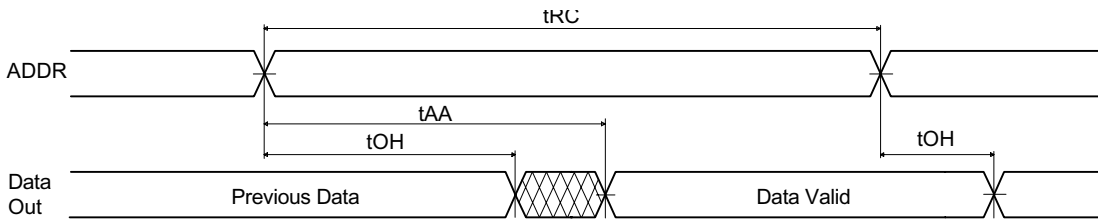
READ CYCLE 1(Note 1)



Note(READ CYCLE):

1. t_{CHZ} and t_{OHZ} are defined as the time at which the outputs achieve the open circuit conditions and are not referenced to output voltage levels.
2. At any given temperature and voltage condition, t_{CHZ} max. is less than t_{CLZ} min. both for a given device and from device to device.
3. $/WE$ is high for the read cycle.

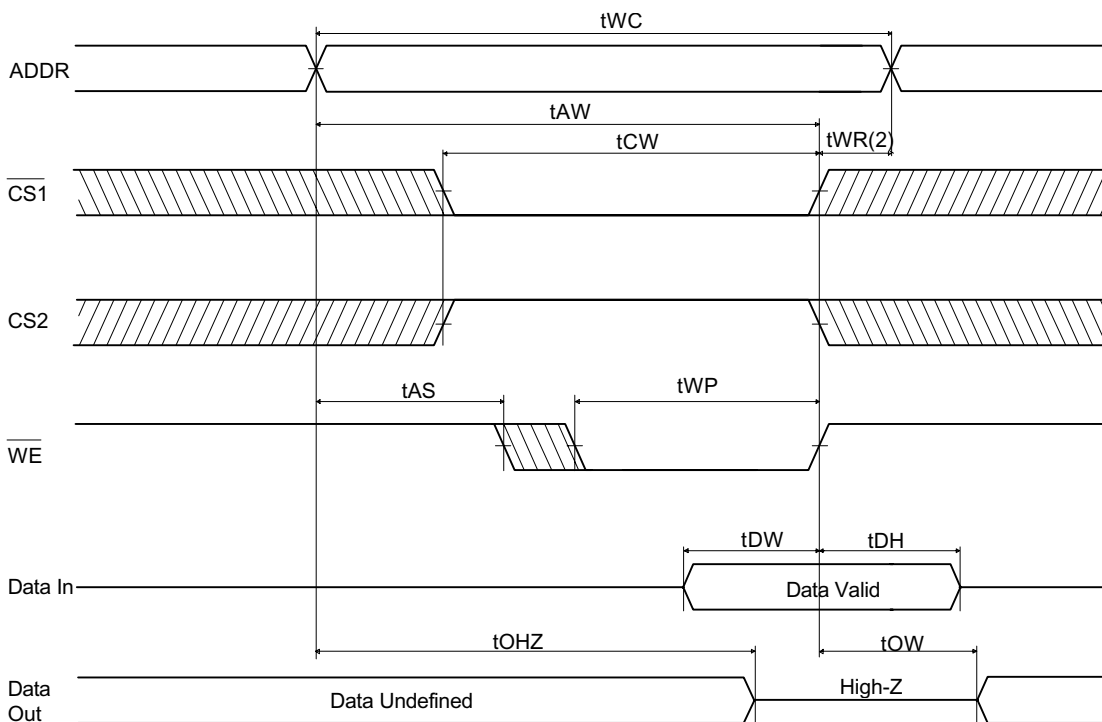
READ CYCLE 2(Note 1,2,3)



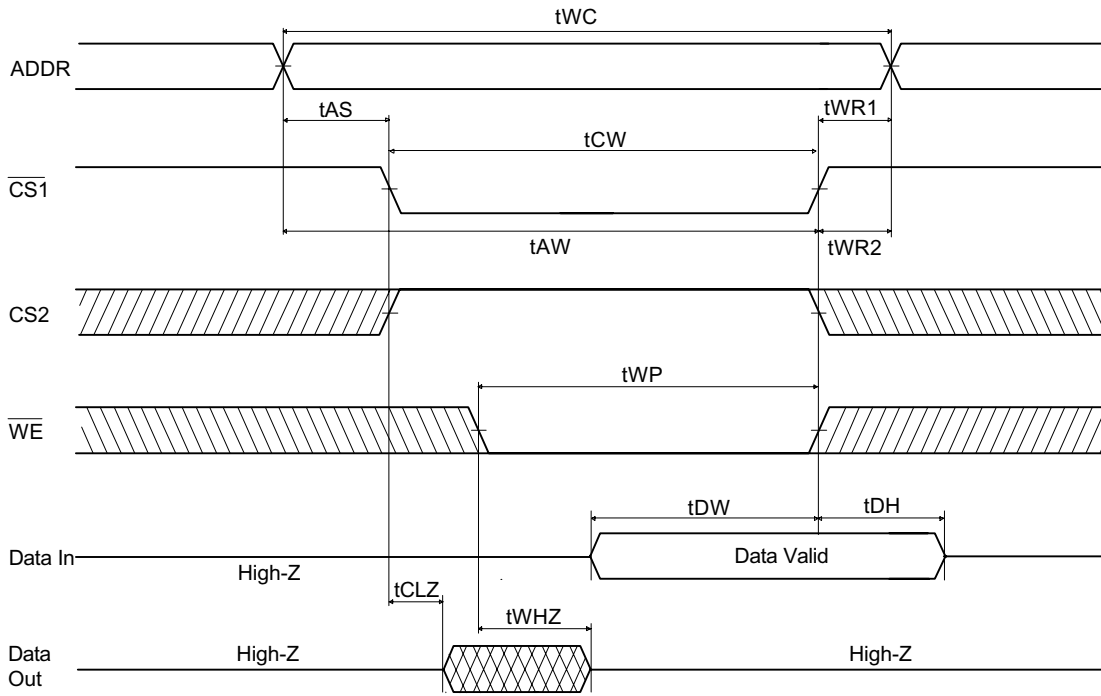
Note(Read Cycle)

1. $/WE$ is high for the read cycle.
2. Device is continuously selected $/CS=V_{IL}$, $CS2=V_{IH}$.
3. $/OE=V_{IL}$.

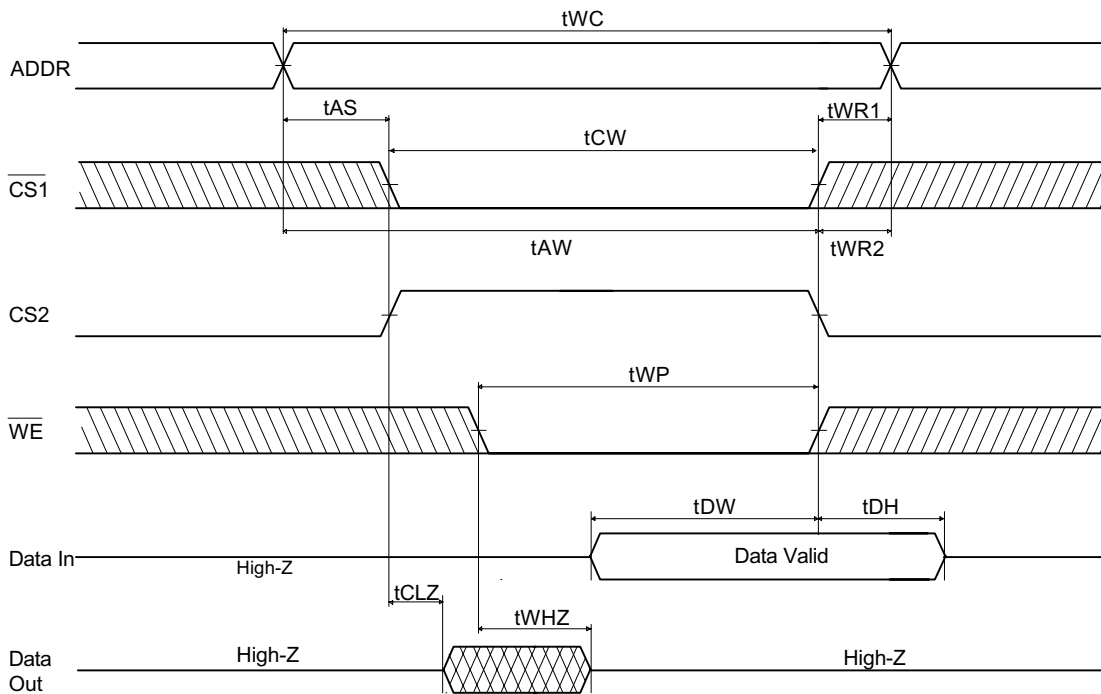
WRITE CYCLE 1(/WE Controlled)



WRITE CYCLE 2 (CS1 Controlled)



WRITE CYCLE 3 (CS2 Controlled)



Notes(Write Cycle):

1. A write occurs during the overlap of a low /CS1 and high CS2 and a low /WE. A write begins at the latest transition among /CS1 going low, CS2 going high and /WE going low: A write ends at the earliest transition among /CS1 going high, CS2 going low and /WE going high. tWP is measured from the beginning of write to the end of write.
2. tCW is measured from the later of /CS1 going low or CS2 going high to end of write.
3. tAS is measured from the address valid to the beginning of write.
4. tWR is measured from the end of write to the address change. tWR1 is applied in case a write ends as /CS1, or /WE going high, and tWR2 is applied in case a write ends at CS2 going low.
5. If /OE, CS2 and /WE are in the read mode during this period, and the I/O pins are in the output low-Z state, inputs of opposite phase of the output must not be applied because bus contention can occur.
6. If /CS1 goes low simultaneously with /WE going low or after /WE going low, the outputs remain high impedance state.
7. DOUT is the read data of the new address.
8. When /CS1 is low and CS2 is high, I/O pins are in the output state. The input signals in the opposite phase leading to the outputs should not be applied.

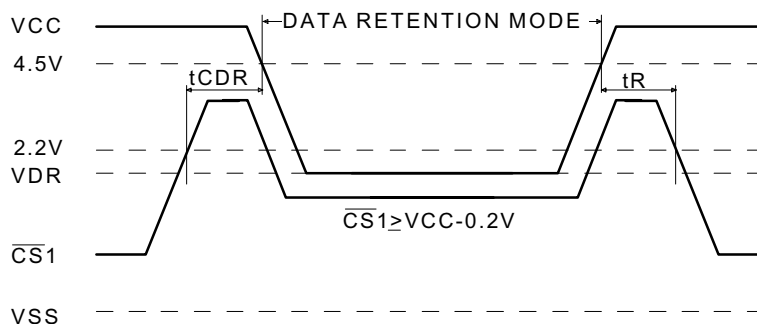
DATA RETENTION CHARACTERISTICS.

Symbol	Parameter		Test Condition	Min	Typ	Max	Unit	
VDR	Vcc for Data Retention		/CS1 ; $\sim V_{cc}-0.2V$, CS2 ; $\sim 0.2V$ or ; $\sim V_{cc}-0.2V$, Vss ; $\sim V_{IN}$; $\sim V_{cc}$	2	-	-	V	
ICCDR	Data Retention Current	HY6264A	Vcc = 3.0V, /CS1 ; $\sim V_{cc} - 0.2V$ CS2 ; $\sim 0.2V$ or ; $\sim V_{cc}-0.2V$ Vss ; $\sim V_{IN}$; $\sim V_{cc}$	L	-	1	50	μA
				LL	-	1	5	μA
		HY6264A-I		L	-	1	50	μA
				LL	-	0.5	15	μA
tCDR	Chip Disable to Data Retention Time		See Data Retention Timing Diagram	0	-	-	ns	
tR	Operating Recovery Time			tRC(2)	-	-	ns	

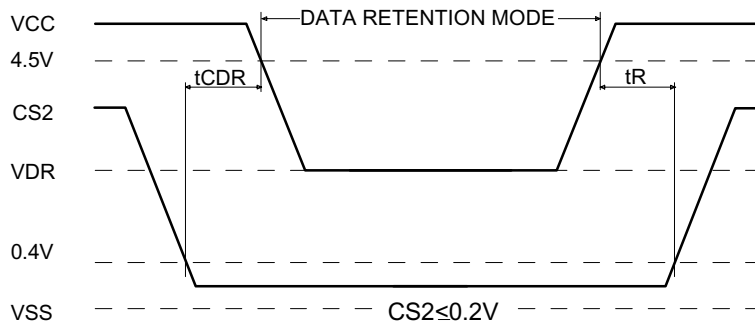
Note

1. Typical values are under the condition of TA=25°C.
2. tRC is read cycle time

DATA RETENTION TIMING DIAGRAM 1



DATA RETENTION TIMING DIAGRAM 2



RELIABILITY SPEC.

TEST MODE		TEST SPEC.
ESD	HBM	$i^{\wedge} 2000V$
	MM	$i^{\wedge} 250V$
LATCH - UP		$i^{\wedge} -100mA$
		$i^{\wedge} 100mA$

