



ROCKER SWITCH

Model Information

KCD 5 - 1 02 (E) (N) (L) - 2 C3 - R / B

- Base color
- Cap color
- Cap marking
- Product Number
- Bent terminals
- Illuminated
- Dot
- Circuit function
- Poles
- Miniature type
- Rocker Switch

Specification

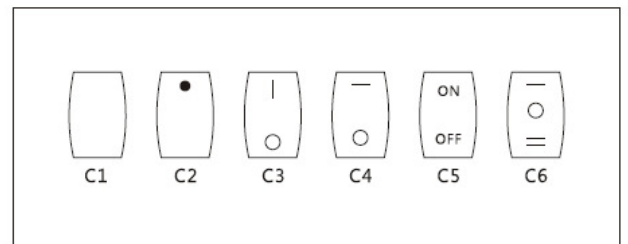
1. Rating: ()6A 125VAC; 3A 250VAC
2. Contact Resistance: 35mΩ max
3. Insulation Resistance: 500VDC 100mΩ min
4. Dielectric Strength: 1500VAC, 1minute
5. Operating Temperature: -25°C~+85°C
6. Electrical Life: 10'000 Cycles


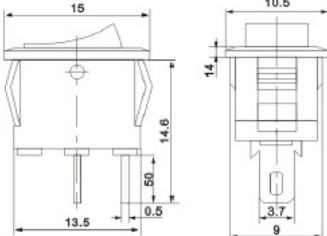

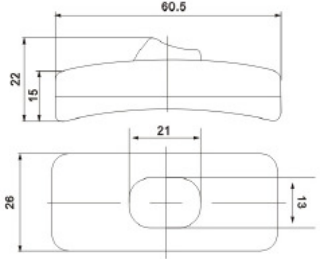

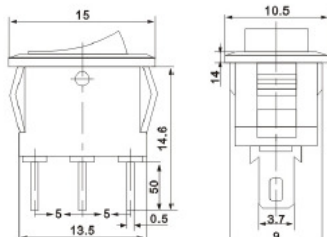

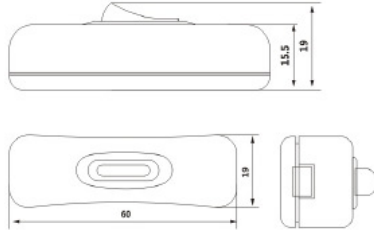

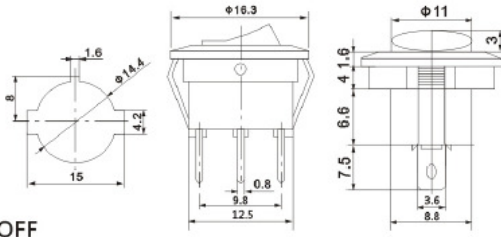

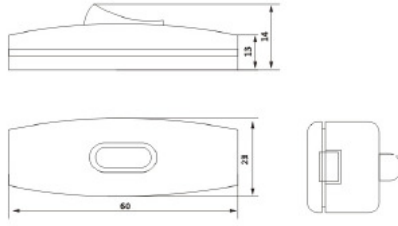

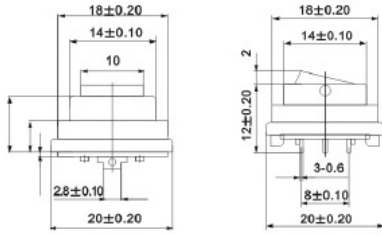

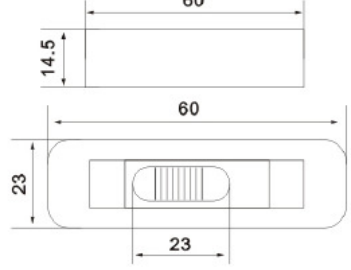
Circuit function

01	ON	-	OFF
02	ON	-	ON
11	(ON)		OFF
12	ON	-	(ON)
03	ON	OFF	ON
13	ON	OFF	(ON)
23	(ON)	OFF	(ON)

() Indicates Momentary

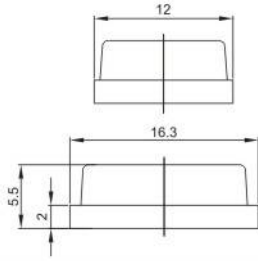
Cap marking



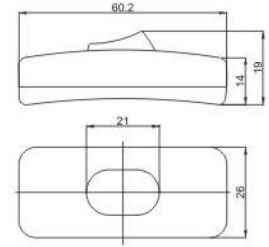
 <p>KCD5-101 ON-OFF</p> 	 <p>KCD5-303</p> 
 <p>KCD5-102 ON-ON KCD5-101/N ON-OFF</p> 	 <p>KCD5-304</p> 
 <p>KCD5-101-2 ON-OFF KCD5-102-2 ON-ON KCD5-101N-2 ON-OFF</p> 	 <p>KCD5-305</p> 
 <p>KCD5-102-3 ON-ON</p> 	 <p>KCD5-322</p> 



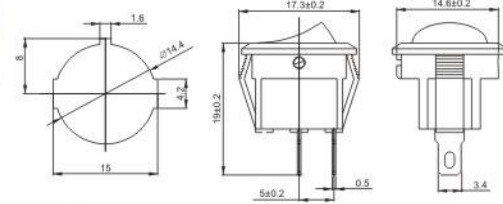
WPC-1510



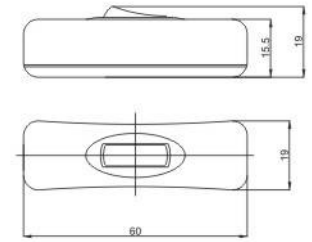
KCD5-303-1 SPST
KCD5-303-2 DPST



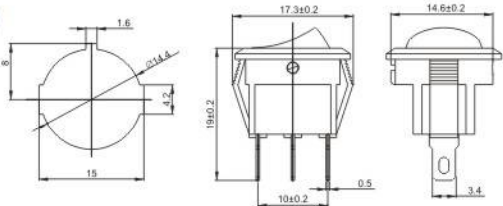
KCD5-2-101 ON-OFF



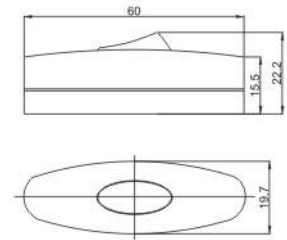
KCD5-304



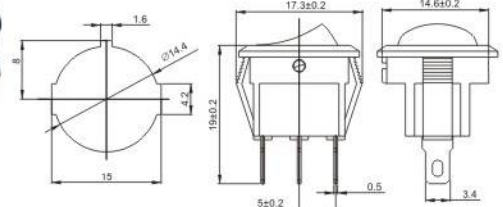
KCD5-2-102 ON-ON



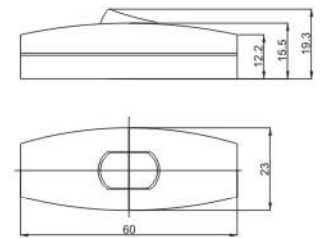
8S.304



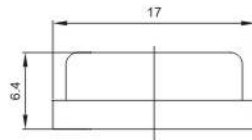
KCD5-2-101N ON-OFF



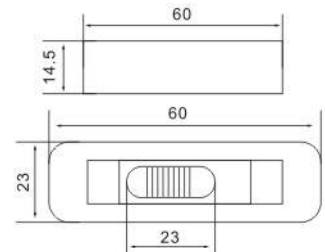
KCD5-305



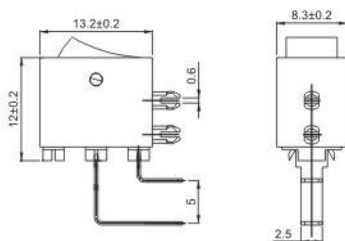
WPC-16



KCD5-322



KCD5-3-101 ON-OFF



KCD5-307

