

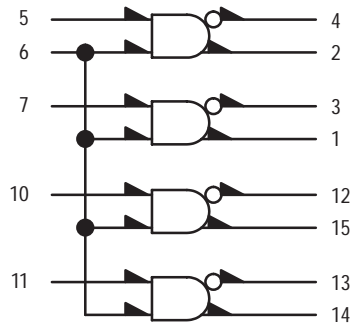
MC10H424

Quad TTL to ECL Translator with ECL Strobe

The MC10H424 is a Quad TTL-to-ECL translator with an ECL strobe. Power supply requirements are ground, +5.0 volts, and -5.2 volts.

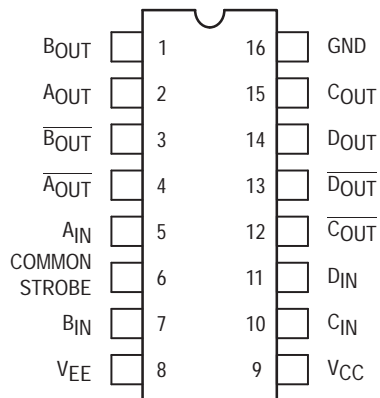
- Propagation Delay, 1.5 ns Typical
- Improved Noise Margin 150 mV (Over Operating Voltage and Temperature Range)
- Voltage Compensated
- MECL 10K – Compatible

LOGIC DIAGRAM



GND = PIN 16
 VCC (+5.0 VDC) = PIN 9
 VEE (-5.2 VDC) = PIN 8

DIP PIN ASSIGNMENT



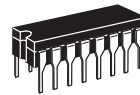
Pin assignment is for Dual-in-Line Package.
 For PLCC pin assignment, see the Pin Conversion Tables on page 18 of the ON Semiconductor MECL Data Book (DL122/D).



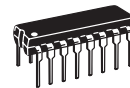
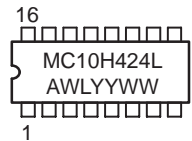
ON Semiconductor

<http://onsemi.com>

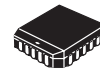
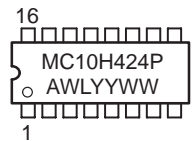
MARKING DIAGRAMS



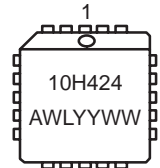
CDIP-16
 L SUFFIX
 CASE 620



PDIP-16
 P SUFFIX
 CASE 648



PLCC-20
 FN SUFFIX
 CASE 775



A = Assembly Location
 WL = Wafer Lot
 YY = Year
 WW = Work Week

ORDERING INFORMATION

| Device | Package | Shipping |
|------------|---------|---------------|
| MC10H424L | CDIP-16 | 25 Units/Rail |
| MC10H424P | PDIP-16 | 25 Units/Rail |
| MC10H424FN | PLCC-20 | 46 Units/Rail |

MC10H424

MAXIMUM RATINGS

| Symbol | Characteristic | Rating | Unit |
|-----------|---|----------------------------|------|
| V_{EE} | Power Supply ($V_{CC} = 5.0\text{ V}$) | -8.0 to 0 | Vdc |
| V_{CC} | Power Supply ($V_{EE} = -5.2\text{ V}$) | 0 to +7.0 | Vdc |
| V_I | Input Voltage (ECL) | 0 to V_{EE} | Vdc |
| V_I | Input Voltage (TTL) | 0 to V_{CC} | Vdc |
| I_{out} | Output Current – Continuous – Surge | 50 100 | mA |
| T_A | Operating Temperature Range | 0 to +75 | °C |
| T_{stg} | Storage Temperature Range – Plastic – Ceramic | -55 to +150 -55 to +165 | °C |

ELECTRICAL CHARACTERISTICS ($V_{EE} = -5.2\text{ V} \pm 5\%$, $V_{CC} = 5.0\text{ V} \pm 5.0\%$)

| Symbol | Characteristic | 0° | | 25° | | 75° | | Unit |
|--------------|-------------------------------------|-------|-------|-------|-------|-------|--------|-----------|
| | | Min | Max | Min | Max | Min | Max | |
| I_E | Negative Power Supply Drain Current | – | 72 | – | 66 | – | 72 | mAdc |
| I_{CCH} | Positive Power Supply Drain Current | – | 16 | – | 16 | – | 18 | mAdc |
| I_{CCL} | | – | 25 | – | 25 | – | 25 | mAdc |
| I_R | Reverse Current Pin 5,7,10,11 | – | 50 | – | 50 | – | 50 | μ Adc |
| I_F | Forward Current Pin 5,7,10,11 | – | -3.2 | – | -3.2 | – | -3.2 | mAdc |
| I_{inH} | Input HIGH Current Pin 6 | – | 450 | – | 310 | – | 310 | μ Adc |
| I_{inL} | Input LOW Current Pin 6 | 0.5 | – | 0.5 | – | 0.3 | – | μ Adc |
| $V_{(BR)in}$ | Input Breakdown Voltage | 5.5 | – | 5.5 | – | 5.5 | – | Vdc |
| V_I | Input Clamp Voltage | – | -1.5 | – | -1.5 | – | -1.5 | Vdc |
| V_{OH} | High Output Voltage | -1.02 | -0.84 | -0.98 | -0.81 | -0.92 | -0.735 | Vdc |
| V_{OL} | Low Output Voltage | -1.95 | -1.63 | -1.95 | -1.63 | -1.95 | -1.60 | Vdc |
| V_{IH} | High Input Voltage Pin 5,7,10,11 | 2.0 | – | 2.0 | – | +2.0 | – | Vdc |
| V_{IL} | Low Input Voltage Pin 5,7,10,11 | – | 0.8 | – | 0.8 | – | 0.8 | Vdc |
| V_{IH} | High Input Voltage Pin 6 | -1.17 | -0.84 | -1.13 | -0.81 | -1.07 | -0.735 | Vdc |
| V_{IL} | Low Input Voltage Pin 6 | -1.95 | -1.48 | -1.95 | -1.48 | -1.95 | -1.45 | Vdc |

AC PARAMETERS

| | | | | | | | | |
|-------------------------------------|----------|-----|-----|-----|-----|-----|-----|----|
| Propagation Delay Data Strobe | t_{pd} | | | | | | | ns |
| | | 0.5 | 2.2 | 0.5 | 2.3 | 0.5 | 2.4 | |
| Rise Time | t_r | 0.5 | 2.0 | 0.5 | 2.0 | 0.5 | 2.2 | ns |
| Fall Time | t_f | 0.5 | 2.0 | 0.5 | 2.0 | 0.5 | 2.2 | ns |

NOTE:

Each MECL 10H series circuit has been designed to meet the dc specifications shown in the test table, after thermal equilibrium has been established. The circuit is in a test socket or mounted on a printed circuit board and transverse air flow greater than 500 lfm is maintained. Outputs are terminated through a 50-ohm resistor to -2.1 volts.

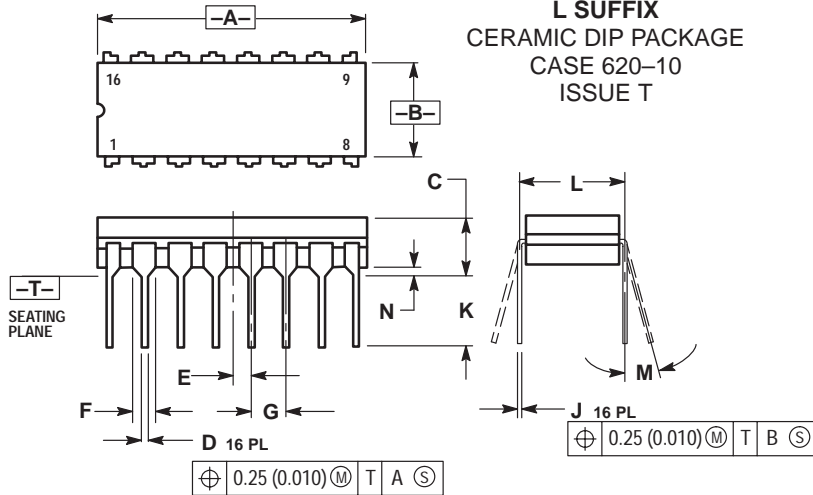
APPLICATIONS INFORMATION

The MC10H424 has TTL-compatible inputs, an ECL strobe and MECL complementary open-emitter outputs that allow use as an inverting/non-inverting translator or as a differential line driver. When the common strobe input is at the low-logic level, it forces all true outputs to a MECL low-logic state and all inverting outputs to a MECL high-logic state.

An advantage of this device is that TTL-level information can be transmitted differentially, via balanced twisted pair lines, to MECL equipment, where the signal can be received by the MC10H115 or MC10H116 differential line receivers.

MC10H424

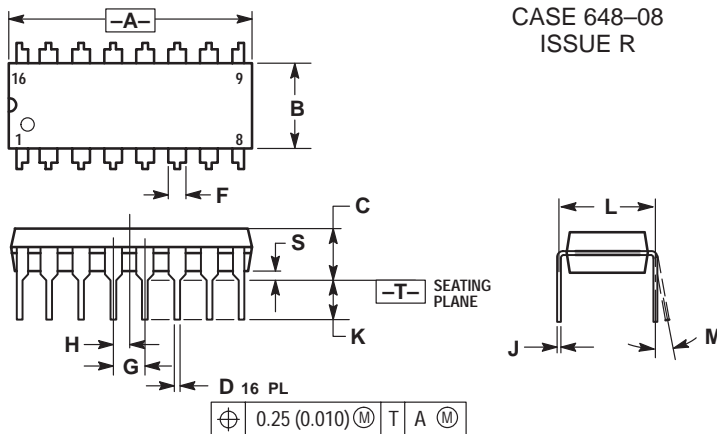
CDIP-16 L SUFFIX CERAMIC DIP PACKAGE CASE 620-10 ISSUE T



- NOTES:
1. DIMENSIONING AND TOLERANCING PER ANSI Y14.5M, 1982.
 2. CONTROLLING DIMENSION: INCH.
 3. DIMENSION L TO CENTER OF LEAD WHEN FORMED PARALLEL.
 4. DIMENSION F MAY NARROW TO 0.76 (0.030) WHERE THE LEAD ENTERS THE CERAMIC BODY.


| DIM | INCHES | | MILLIMETERS | |
|-----|-----------|-------|-------------|-------|
| | MIN | MAX | MIN | MAX |
| A | 0.750 | 0.785 | 19.05 | 19.93 |
| B | 0.240 | 0.295 | 6.10 | 7.49 |
| C | --- | 0.200 | --- | 5.08 |
| D | 0.015 | 0.020 | 0.39 | 0.50 |
| E | 0.050 BSC | | 1.27 BSC | |
| F | 0.055 | 0.065 | 1.40 | 1.65 |
| G | 0.100 BSC | | 2.54 BSC | |
| H | 0.008 | 0.015 | 0.21 | 0.38 |
| K | 0.125 | 0.170 | 3.18 | 4.31 |
| L | 0.300 BSC | | 7.62 BSC | |
| M | 0° | 15° | 0° | 15° |
| N | 0.020 | 0.040 | 0.51 | 1.01 |

PDIP-16 P SUFFIX PLASTIC DIP PACKAGE CASE 648-08 ISSUE R



- NOTES:
1. DIMENSIONING AND TOLERANCING PER ANSI Y14.5M, 1982.
 2. CONTROLLING DIMENSION: INCH.
 3. DIMENSION L TO CENTER OF LEADS WHEN FORMED PARALLEL.
 4. DIMENSION B DOES NOT INCLUDE MOLD FLASH.
 5. ROUNDED CORNERS OPTIONAL.

| DIM | INCHES | | MILLIMETERS | |
|-----|-----------|-------|-------------|-------|
| | MIN | MAX | MIN | MAX |
| A | 0.740 | 0.770 | 18.80 | 19.55 |
| B | 0.250 | 0.270 | 6.35 | 6.85 |
| C | 0.145 | 0.175 | 3.69 | 4.44 |
| D | 0.015 | 0.021 | 0.39 | 0.53 |
| F | 0.040 | 0.70 | 1.02 | 1.77 |
| G | 0.100 BSC | | 2.54 BSC | |
| H | 0.050 BSC | | 1.27 BSC | |
| J | 0.008 | 0.015 | 0.21 | 0.38 |
| K | 0.110 | 0.130 | 2.80 | 3.30 |
| L | 0.295 | 0.305 | 7.50 | 7.74 |
| M | 0° | 10° | 0° | 10° |
| S | 0.020 | 0.040 | 0.51 | 1.01 |

ON Semiconductor and  are trademarks of Semiconductor Components Industries, LLC (SCILLC). SCILLC reserves the right to make changes without further notice to any products herein. SCILLC makes no warranty, representation or guarantee regarding the suitability of its products for any particular purpose, nor does SCILLC assume any liability arising out of the application or use of any product or circuit, and specifically disclaims any and all liability, including without limitation special, consequential or incidental damages. "Typical" parameters which may be provided in SCILLC data sheets and/or specifications can and do vary in different applications and actual performance may vary over time. All operating parameters, including "Typicals" must be validated for each customer application by customer's technical experts. SCILLC does not convey any license under its patent rights nor the rights of others. SCILLC products are not designed, intended, or authorized for use as components in systems intended for surgical implant into the body, or other applications intended to support or sustain life, or for any other application in which the failure of the SCILLC product could create a situation where personal injury or death may occur. Should Buyer purchase or use SCILLC products for any such unintended or unauthorized application, Buyer shall indemnify and hold SCILLC and its officers, employees, subsidiaries, affiliates, and distributors harmless against all claims, costs, damages, and expenses, and reasonable attorney fees arising out of, directly or indirectly, any claim of personal injury or death associated with such unintended or unauthorized use, even if such claim alleges that SCILLC was negligent regarding the design or manufacture of the part. SCILLC is an Equal Opportunity/Affirmative Action Employer.

PUBLICATION ORDERING INFORMATION

North America Literature Fulfillment:

Literature Distribution Center for ON Semiconductor
P.O. Box 5163, Denver, Colorado 80217 USA
Phone: 303-675-2175 or 800-344-3860 Toll Free USA/Canada
Fax: 303-675-2176 or 800-344-3867 Toll Free USA/Canada
Email: ONlit@hibbertco.com

N. American Technical Support: 800-282-9855 Toll Free USA/Canada

EUROPE: LDC for ON Semiconductor – European Support

German Phone: (+1) 303-308-7140 (M-F 2:30pm to 5:00pm Munich Time)
Email: ONlit-german@hibbertco.com
French Phone: (+1) 303-308-7141 (M-F 2:30pm to 5:00pm Toulouse Time)
Email: ONlit-french@hibbertco.com
English Phone: (+1) 303-308-7142 (M-F 1:30pm to 5:00pm UK Time)
Email: ONlit@hibbertco.com

ASIA/PACIFIC: LDC for ON Semiconductor – Asia Support

Phone: 303-675-2121 (Tue-Fri 9:00am to 1:00pm, Hong Kong Time)
Toll Free from Hong Kong 800-4422-3781
Email: ONlit-asia@hibbertco.com

JAPAN: ON Semiconductor, Japan Customer Focus Center
4-32-1 Nishi-Gotanda, Shinagawa-ku, Tokyo, Japan 141-8549
Phone: 81-3-5740-2745
Email: r14525@onsemi.com

Fax Response Line: 303-675-2167

800-344-3810 Toll Free USA/Canada

ON Semiconductor Website: <http://onsemi.com>

For additional information, please contact your local Sales Representative.

This datasheet has been download from:

www.datasheetcatalog.com

Datasheets for electronics components.