



SDS2D10 SERIES

Low Profile Shielded Power Inductors



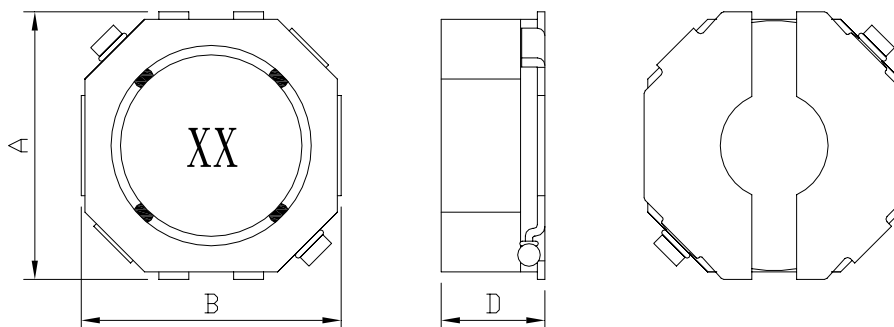
RoHS Compliant

PART NUMBERING SYSTEM

SDS	2D10	—	2 2 0 M	—	LF
TYPE	DIMENSIONS		INDUCTANCE		LEAD FREE

SHAPES AND DIMENSIONS

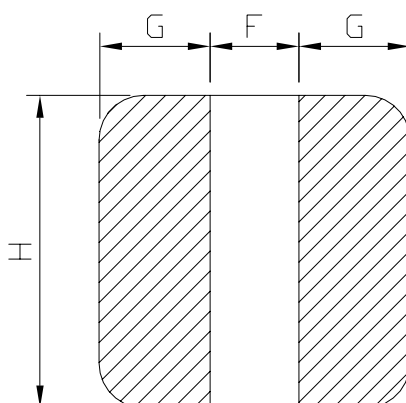
UNIT : mm



A=3.2 Max. B=3.2 Max. D=1.0 Max.

RECOMMENDED PATTERNS

UNIT : mm



F=1.0 G= 1.0 H= 3.0



SDS2D10 SERIES

Low Profile Shielded Power Inductors



RoHS Compliant

ELECTRICAL CHARACTERISTICS :

PART NUMBER	INDUCTANCE (μ H)	DCR (m Ω) (Max.)	Isat (A) (Max.)	Irms (A) (Max.)	Stamp
SDS2D10-1R2N-LF	1.2 \pm 30%	91	0.93	1.25	1R
SDS2D10-2R2N-LF	2.2 \pm 30%	150	0.63	0.98	2R
SDS2D10-3R3N-LF	3.3 \pm 30%	221	0.53	0.83	3R
SDS2D10-4R7N-LF	4.7 \pm 30%	300	0.45	0.64	4R
SDS2D10-5R6N-LF	5.6 \pm 30%	338	0.40	0.59	5R
SDS2D10-6R8N-LF	6.8 \pm 30%	397	0.36	0.53	6R
SDS2D10-8R2N-LF	8.2 \pm 30%	507	0.32	0.46	8R
SDS2D10-100M-LF	10 \pm 20%	560	0.30	0.42	10
SDS2D10-120M-LF	12 \pm 20%	650	0.27	0.40	12
SDS2D10-150M-LF	15 \pm 20%	923	0.24	0.35	15
SDS2D10-180M-LF	18 \pm 20%	1066	0.22	0.33	18
SDS2D10-220M-LF	22 \pm 20%	1235	0.20	0.30	22

- Inductance tested at 100 kHz, 0.1 Vrms, 0 Adc using an Agilent/HP 4263B LCR meter or equivalent.
- Isat : DC current at which the inductance drops 30% (typ) from its value without current.
- Irms: The actual current when temperature of coil becomes Δ 40 $^{\circ}$ C . (Ta=+20 $^{\circ}$ C)
- Operating temperature range -40 $^{\circ}$ C to +85 $^{\circ}$ C , Electrical specifications at 20 $^{\circ}$ C.
- Packing : 7" reel, machine-ready ,embossed plastic tape (1,500 parts per full reel).