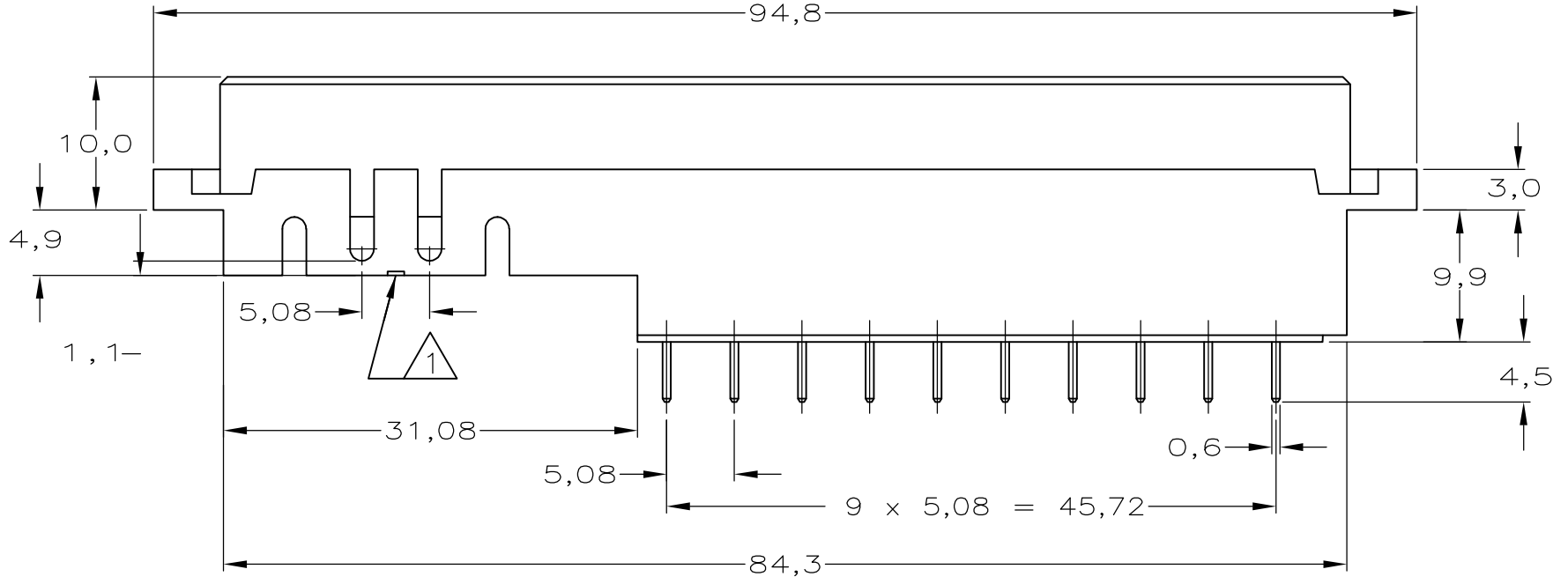
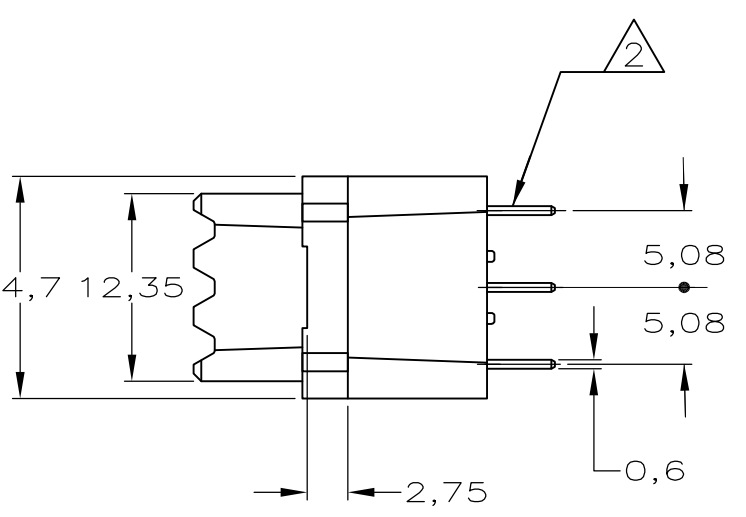
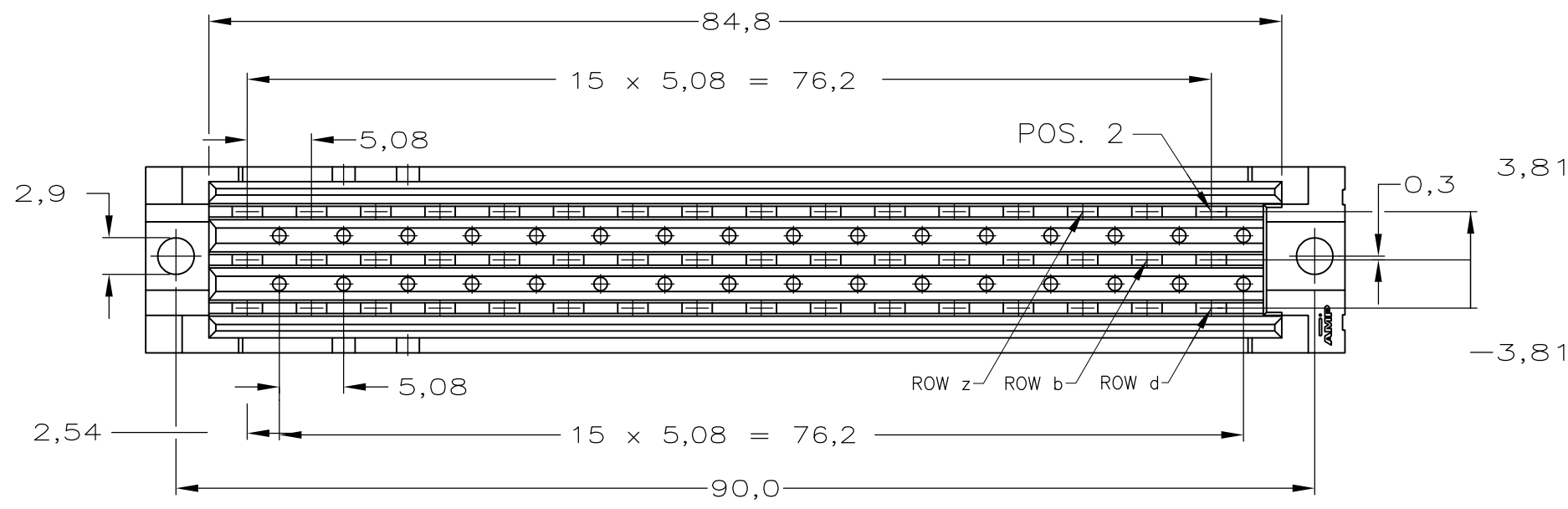


THIS DRAWING IS UNPUBLISHED. RELEASED FOR PUBLICATION  
 © COPYRIGHT - By - ALL RIGHTS RESERVED.

REVISIONS				
P	LTR	DESCRIPTION	DATE	APVD
	D	REVISED PER ECO-17-002455	23FEB2017	SY SY



NOTES:

- ① 2 CHAMFERS AT INSIDE FOR LOCATION OF REMOVAL TOOL FOR MODULE p.n.216519-1
- ② SOLDERPOSTS SUITABLE FOR 0,80 OR 1,0 NOM. DIA HOLES

X	X	X	X	X	X	X	X	X	X	d	ROW
X	X	X	X	X	X	X	X	X	X	b	ROW
X	X	X	X	X	X	X	X	X	X	z	ROW
0	0	0	0	0	0	0	0	0	0	0	POS

AN ASTERISK „X” DENOTES A CONTACT

CONFIRMS TO IEC60603-2 PERFORMANCE LEVEL II REQUIREMENT IN CONTACT AREA Sn OVER Ni IN SOLDER AREA	HOUSING: THERMOPL. POLYESTER G.F. COLOUR: GREY CONTACTS: PHOSPHORBRONZE	216520-4
FINISH	MATERIAL	PARTNUMBER

THIS DRAWING IS A CONTROLLED DOCUMENT.

DIMENSIONS: mm	TOLERANCES UNLESS OTHERWISE SPECIFIED:
0 PLC ± -	1 PLC ± -
2 PLC ± -	3 PLC ± -
4 PLC ± -	ANGLES ± -
MATERIAL -	FINISH -

DWN 15 NOV.1994 L.V.D.HEIJDEN
CHK - J.V.GUNSVEN
APVD - L.V.SOEST
PRODUCT SPEC -
APPLICATION SPEC -
WEIGHT 0.000000
CUSTOMER DRAWING

<b>STE</b> TE Connectivity			
3x10 POS. WITH SOLDER POSTS 3x6 POS WITH FEATURE FOR CRIMP-ON, SNAP-IN .			
SIZE	CAGE CODE	DRAWING NO	RESTRICTED TO
A3	00779	C-216520	-
SCALE -		SHEET 1 OF 1	REV D

# Mouser Electronics

Authorized Distributor

Click to View Pricing, Inventory, Delivery & Lifecycle Information:

[TE Connectivity:](#)

[216520-4](#)