



RTD 2525/2545/2555 LRH

Flat Panel Display Controller

Preliminary

Revision

Version 1.00

Last updated: 2008/7/16

Realtek Confidential for Qisda

1. FEATURES	4
2. CHIP DATA PATH BLOCK DIAGRAM.....	8
3. REGISTER DESCRIPTION.....	9
Global Event Flag	9
Watch Dog	14
Input Video Capture	15
Input Frame Window	19
FIFO Frequency.....	22
Scaling Down Control.....	22
Display Format	27
Display Fine Tune.....	32
Cyclic-Redundant-Check	33
FIFO Window	34
Scaling Up Function	34
Frame Sync Fine Tune	38
Sync Processor.....	40
Macro Vision	51
Highlight window	53
Color Processor Control.....	58
Contrast/Brightness Coefficient	59
Gamma Control	60
Dithering Control (For Display Domain).....	62
Overlay/Color Palette/Background Color Control	64
Image Auto Function	65
Dithering Control (For Input Domain)	69
Embedded Timing Controller.....	71
TCON Horizontal/Vertical Timing Setting	73
Dot Masking.....	75
Control for LVDS	78
Test function	82
Embedded OSD	88
Digital Filter	89
Color Conversion (Input Domain).....	91
Paged Control Register	93
Embedded ADC (Page 0).....	94
ABL(Page 0).....	105
LVR(Page 0).....	110
Smith trigger(Page 0).....	111
MEMORY PLL (Page 0).....	111
ADC PLL (Page 1)	115
DISPLAY PLL (Page 1).....	126
DCLK Spread Spectrum (Page 1)	128
MCLK Spread Spectrum (Page 1).....	132
MULTIPLY PLL FOR INPUT CYRSTAL (Page 1)	134
AUDIO DAC (Page 1).....	136
Overall HDMI System Function Block (Page 2)	141
HDCP 1.3 (Page 2)	148

HDMI Video and Audio Part (Page 2).....	152
LiveShow™ Control (Page 3).....	183
SDRAM Control (Page 4).....	194
Reserved (Page 5).....	207
Reserved (Page 6).....	207
Vivid color-Video Color Space Conversion(page 7).....	207
Vivid color-DCC (Page 7).....	208
ICM (Page 7).....	217
Y-Peaking filter and coring control (For Display Domain) (Page 7).....	219
DCR (Page 7).....	220
Pattern Generator in Display Domain (Page 7).....	226
Reserved (Page 8).....	230
Reserved (Page 9).....	231
Reserved (Page A).....	232
Reserved (Page B).....	232
Reserved (Page C).....	232
Register 1(page D).....	233
Interrupt Control.....	233
DDC.....	233
DDC-CI.....	238
PWM.....	243
Register 2(page E).....	248
Pin-Share.....	248
CEC function.....	253
Register 3(page F).....	257
CEC Analog Function.....	257
Embedded OSD.....	260
OSD Compression.....	289
OSD Special Function.....	290
4. ELECTRIC SPECIFICATION.....	304
5. MECHANICAL SPECIFICATION.....	305
6. ORDERING INFORMATION.....	307

1. Features

General

- Programmable Scaling up and down
- No external memory required.
- Require only one crystal to generate all timing.
- Programmable 3.3V detection for multi-power domain in a system
- 2 channels 8 bits PWM output, and wide range selectable PWM frequency.
- Support input format up to 1920-pixel width
- DDC/CI(MCCS) supported

Analog RGB Input Interface

- Integrated 8-bit triple-channel 210 MHz ADC/PLL (optional)
- Embedded programmable Schmitt trigger of HSYNC
- Support Sync On Green (SOG) and various kinds of composite sync modes
- On-chip high-performance hybrid PLLs
- High resolution true 64 phase ADC PLL
- Auto Black Level Adjustment

Digital Video Input Interface

- Support 8-bit video (ITU 656) format input
- Built-in YUV to RGB color space converter & de-interlace

DVI Compliant Digital Input Interface (Optional)

- Single link on-chip TMDS receiver
- Up to 165Mhz
- Adaptive algorithm for TMDS capability
- Data enable only mode support
- HDCP 1.1 supported (optional)

Auto Detection /Auto Calibration

- Input format detection
- Compatibility with standard VESA mode and support user-defined mode
- Smart engine for Phase/Image position/Color calibration

Scaling

- Fully programmable zoom ratios
- Independent horizontal/vertical scaling
- Advanced zoom algorithm provides high image quality
- Sharpness/Smooth filter enhancement
- Support non-linear scaling from 4:3 to 16:9 or 16:9 to 4:3

Color Processor

- True 10 bits color processing engine
- sRGB compliance
- Advanced dithering logic for 18-bit panel color

depth enhancement

- Dynamic overshoot-smear canceling engine
- Brightness and contrast control
- Programmable 10-bit gamma support
- Peaking/Coring/XVYCC function for video sharpness

VividColor™

- Independent color management (ICM)
- Dynamic contrast control (DCC)

LiveShow™ Function

- High-performance RTC (response time compensation) with embedded SDRAM.

Output Interface

- Fully programmable display timing generator
- 1 and 2 pixel/clock panel support and up to 140MHz(RTD2525LRH)/170MHz(RTD2545LRH)/190MHz(RTD2555LRH)
- Support LVDS output interface
- Spread-Spectrum DPLL to reduce EMI
- Fixed Last Line output for perfect panel capability

Host Interface

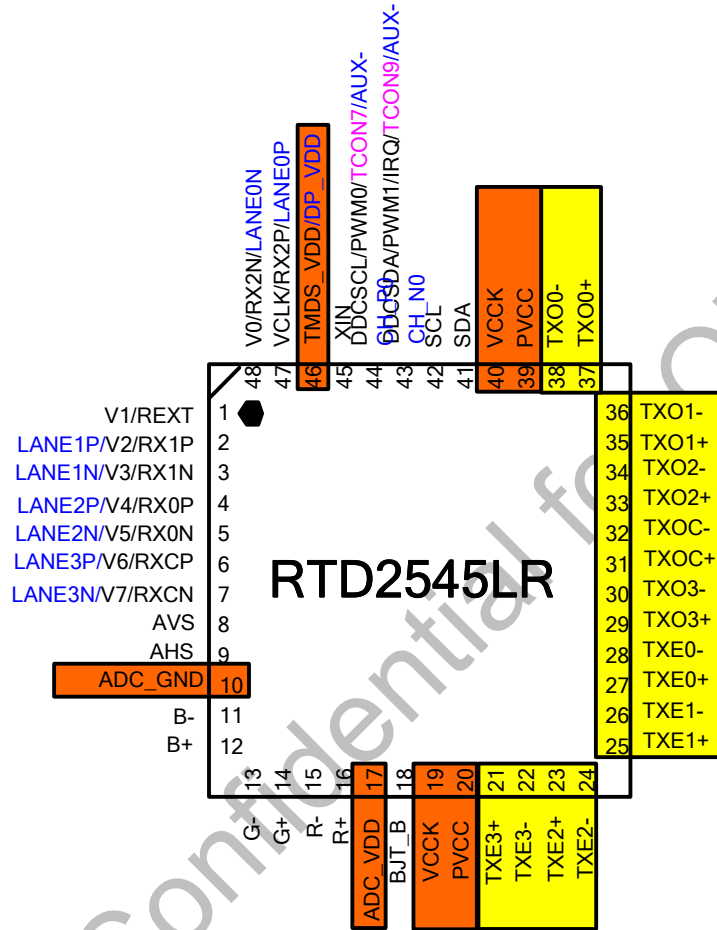
- Support MCU serial bus interface.
- Support MCU dual edge data latch.

Embedded OSD

- Embedded 16.5K SRAM dynamically stores OSD command and fonts
- Support multi-color RAM font, 1, 2 and 4-bit per pixel
- 16 color palette with 4096 true color selection
- Maximum 8 window with alpha-blending/gradient/dynamic fade-in/fade-out, bordering/shadow/3D window type
- Rotary 90,180,270 degree
- Independent row shadowing/bordering
- Programmable blinking effects for each character
- OSD-made internal pattern generator for factory mode
- Support 12x18~4x18 hardware proportional font
- Decompress OSD font

Power & Technology

- 48 pin QFN package
- Embedded voltage regulator
- 0.11um process 3.3V / 1.2V power supplier



Pin Out Diagram of RTD 2525/2545/2555 LRH



■ 48 pin-out List

■ INPUT PORT

Name	I/O	No	Description	Note
B0+	AI	12	Positive BLUE analog input	
B0-	AI	11	Negative BLUE analog input	
G0+	AI	14	Positive GREEN analog input	
G0-	AI	13	Negative GREEN analog input	
R0+	AI	16	Positive RED analog input	
R0-	AI	15	Negative RED analog input	
AVS	I	8	ADC vertical sync input General Schmitt trigger	no power 5V tolerance
AHS	I	9	ADC horizontal sync input Adjustable Schmitt trigger	no power 5V tolerance

■ PLL

Name	I/O	Pin No	Description	Note
XI	AI	45	Reference clock input from external crystal or from single-ended CMOS/TTL OSC	3.3V tolerance

■ Host interface

Name	I/O	Pin No	Description	Note
SDA	I/O	41	Serial control I/F data (Open drain w/ ST)	5V tolerance
SCL	O	42	Serial control I/F clock (Open drain w/ ST)	5V tolerance

■ TMDS

Name	I/O	Pin No	Description	Note
REXT	AI	1	Impedance Match Reference.	
RX2P	AI	47	Differential Data Input	
RX2N	AI	48	Differential Data Input	
RX1P	AI	2	Differential Data Input	
RX1N	AI	3	Differential Data Input	
RX0P	AI	4	Differential Data Input	
RX0N	AI	5	Differential Data Input	
RXCP	AI	6	Differential Data Input	
RXCN	AI	7	Differential Data Input	

■ Video 8 (Optional)

Name	I/O	Pin No	Description
V8_0 ~ V8_7	I	48~7	Video 8 data input (3.3V tolerance)
VCLK	I	47	Video8 clock input (3.3V tolerance)

■ Power and Ground

Name	I/O	Pin No	Description
ADC_GND	G	10	ADC 1.2V Ground
ADC_VDD	P	17	ADC 1.2V Power
TMDS_VDD	P	46	TMDS 3.3V Power
VCCK	P	19/40	Digital core Power
PVCC	P	20/39	Pad 3.3V Power

■ LVDS Display Interface

Name	I/O	No	Description
TXE3+	O	21	LVDS Differential Data Output
TXE3-	O	22	LVDS Differential Data Output
TXE2+	O	23	LVDS Differential Data Output
TXE2-	O	24	LVDS Differential Data Output



TXE1+	O	25	LVDS Differential Data Output
TXE1-	O	26	LVDS Differential Data Output
TXE0+	O	27	LVDS Differential Data Output
TXE0-	O	28	LVDS Differential Data Output
TXO3+	O	29	LVDS Differential Data Output
TXO3-	O	30	LVDS Differential Data Output
TXOC+	O	31	LVDS Differential CLK Output
TXOC-	O	32	LVDS Differential CLK Output
TXO2+	O	33	LVDS Differential Data Output
TXO2-	O	34	LVDS Differential Data Output
TXO1+	O	35	LVDS Differential Data Output
TXO1-	O	36	LVDS Differential Data Output
TXO0+	O	37	LVDS Differential Data Output
TXO0-	O	38	LVDS Differential Data Output

■ **DDC/CI Channel**

Name	I/O	No	Description
DDCSDA	I/O	43	Open drain, no power 5V tolerance with Schmitt trigger pad
DDCSCL	I	44	Open drain, no power 5V tolerance with Schmitt trigger pad

■ **PWM**

Name	I/O	No	Description
PWM0	O	44	Open drain, with 5V tolerance
PWM1	O	43	Open drain, with 5V tolerance

■ **MISC**

Name	I/O	No	Description
BJT_B	O	18	Embedded regulator P type BJT control pin out

■ **Timing Controller**

Name	I/O	No	Description
TCON7	O	44	Timing controller output
TCON9	O	43	Timing controller output



2. Chip Data Path Block Diagram

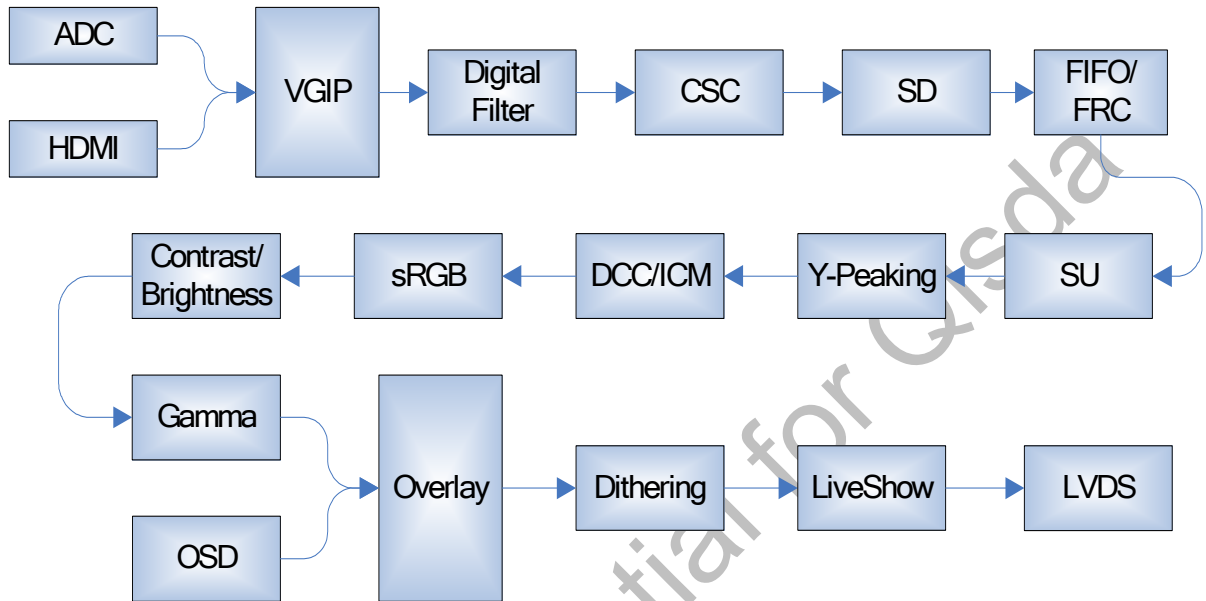


Figure 1



3. Register Description

Global Event Flag

Register::ID_Reg					0x00
Name	Bit	R/W	Default	Description	Config
ID	7:0	R	0x51	MSB 4 bits: 0000 product code LSB 4 bits: 0001 rev. code	

Register:: Host_ctrl					0x01
Name	Bit	R/W	Default	Description	Config.
Rev	7	---	0	Reserved	
Reset_chk	6	R/W	0	Reset Check Once scalar is reset, this value will be cleared to 0. The purpose of it is to check if LVR has been triggered. It should be written to 1 ahead, then read it. LVR has been triggered if the value is 0, else LVR has not.	
Rev	5:3	---	---	Reserved	
PD_EN	2	R/W	1	Power Down Mode Enable 0: Normal 1: Enable power down mode(Default) Turn off ADC RGB Channel/ ADC Band-gap/ SOG/ DPLL/ LVDS/ ADC PLL/ SYNC- PROC/ TMDS / HDMI-Audio PLL/m2pll Note: For LVDS Power Control, refer to following table.	
PS_EN	1	R/W	0	Power Saving Mode Enable 0: Normal(Default) 1: Enable power saving mode Turn off ADC RGB channel/ DPLL/ LVDS/ ADC PLL/ m2pll When power down or power saving function is enabled, internal mcu clock is forced to crystal clock. Note: For LVDS Power Control, refer to following table.	
Sft_Reset	0	R/W	0	Software Reset Whole Chip (Low	



				<p>pulse at least 8ms)</p> <p>0: Normal (Default)</p> <p>1: Reset</p> <p>All registers are reset to default except HOST_CTRL and power-on-latch.</p>	
--	--	--	--	--	--

- Power Down/Power Saving control only effective when LVDS/RSD Display Output is double.

DISP_TYPE <u>CR 8E-00[1:0]</u>	DATA_TYPE <u>CR 28[2]</u>	Port	Power Control
LVDS [01]	Double [1]	LVDS Mid	Power Down/Power Saving <u>CR01 [2]/CR 01[1]</u>
LVDS [01]	Double [1]	LVDS Even	
LVDS [01]	Double [1]	LVDS Odd	
LVDS [01]	Single [0]	LVDS Mid	Power Up LVDS Mid-Port <u>CR8C-A0 [6]</u>
LVDS [01]	Single [0]	LVDS Even	Power Up LVDS Even-Port <u>CR8C-A0 [5]</u>
LVDS [01]	Single [0]	LVDS Odd	Power Up LVDS Odd-Port <u>CR8C-A0 [4]</u>

Register:: STATUS0					0x02
Name	Bit	R/W	Default	Description	Config.
ADCPLL_nonlock	7	R	0	ADC_PLL Non-Lock If the ADC_PLL non-lock occurs, this bit is set to "1".	
IVS_error	6	R	0	Input VSYNC Error If the input vertical sync occurs within the programmed active period, this bit is set to "1".	
IHS_error	5	R	0	Input HSYNC Error If the input horizontal sync occurs within the programmed active period, this bit is set to "1".	
ODD_Occur	4	R	0	Input ODD Toggle Occur (For internal field odd toggle, refer to CR1A[5]) If the ODD signal (From SAV/EAV or V16_ODD) toggle occurs, this bit is set to "1".	
V8HV_Occur	3	R	0	Video8 Input Vertical/Horizontal Sync Occurs If the YUV input V or H sync edge occurs, this bit is set to "1".	
ADCHV_Occur	2	R	0	ADC Input Vertical/Horizontal Sync Occurs Input V or H sync edge occurs; this bit	



				is set to "1".	
Buffer_Ovf1	1	R	0	Input Overflow Status (Frame Sync Mode) * ¹ If an overflow in the input data capture buffer occurs, this bit is set to "1".	
Buffer_Udf1	0	R	0	Line Buffer Underflow Status (Frame Sync Mode) If an underflow in the line-buffer occurs, this bit is set to "1".	

Write to clear status.

Register:: STATUS1				0x03	
Name	Bit	R/W	Default	Description	Config.
Buffer_Ovf2	7	R	0	Line Buffer Overflow Status 1: Line Buffer overflow has occurred since the last status cleared	
Buffer_Udf2	6	R	0	Line Buffer Underflow Status 1: Line Buffer underflow has occurred since the last status cleared	
DENA_Stop	5	R	0	DENA Stop Event Status 1: If the DENA stop event occurred since the last status cleared	
DENA_Start	4	R	0	DENA Start Event Status 1: If the DENA start event occurred since the last status cleared as an interrupt source	
DVS_Start	3	R	0	DVS Start Event Status 1: If the DVS start event occurred since the last status cleared	
IENA_Stop	2	R	0	IENA Stop Event Status 1: If the IENA stop event occurred since the last status cleared	
IENA_Start	1	R	0	IENA Start Event Status 1: If the IENA start event occurred since the last status cleared	
IVS_Start	0	R	0	IVS Start Event Status 1: If the IVS start event occurred since the last status cleared	

Write to clear status.

*¹Only first event of input overflow/underflow is recorded if both of them occurs.



Register::IRQ_CTRL0					0x04
Name	Bit	R/W	Default	Description	Config.
IRQ_EN	7	R/W	0	Internal IRQ Enable: (Global) 0: Disable these interrupt. 1: Enable these interrupt.	
IRQ_ADCPLL	6	R/W	0	IRQ (ADC_PLL Non-Lock) 0: Disable the ADC_PLL non-lock error event as an interrupt source 1: Enable the ADC_PLL non-lock error event as an interrupt source	
IRQ_IHV	5	R/W	0	IRQ (Input VSYNC/HSYNC Error) (DEN across Vsync or Hsync) 0: Disable the Input VSYNC/HSYNC error event as an interrupt source 1: Enable the Input VSYNC/HSYNC error event as an interrupt source	
IRQ_ODD	4	R/W	0	IRQ (Input ODD Toggle Occur) (EAV/SAV from Video8) 0: Disable Input ODD toggle event as an interrupt source 1: Enable the Input ODD toggle event as an interrupt source	
IRQ_V8_HV	3	R/W	0	IRQ (Video8 Input Hsync/Vertical Sync Occurs) 0: Disable the Video8 Input Hsync or Vsync event as an interrupt source 1: Enable the Video8 Input Hsync or Vsync event as an interrupt source	
IRQ_ADC_HV	2	R/W	0	IRQ (ADC Input Hsync/Vertical Sync Occurs) 0: Disable the ADC Input Hsync or Vsync event as an interrupt source 1: Enable the ADC Input Hsync or Vsync event as an interrupt source	
IRQ_Buffer	1	R/W	0	IRQ (Line Buffer Underflow/Overflow Status) 0: Disable the Line Buffer underflow/overflow event as an interrupt source 1: Enable the Line Buffer underflow/overflow event as an interrupt source	



IRQ_IENA	0	R/W	0	IRQ (Input ENA Start Event Occurred Status) 0: Disable IENA start as interrupt source 1: Enable IENA start as interrupt source	
----------	---	-----	---	---	--

Register:: HDMI_STATUS0 0x05					
Name	Bit	R/W	Default	Description	Config.
HDMI status 0	7:0	R	---	Reference to CRCB for HMDI Function (Page 2)(write 1 clear)	

Register:: HDMI_STATUS1 0x06					
Name	Bit	R/W	Default	Description	Config.
HDMI status 1	7:0	R	---	Reference to CRCC for HMDI Function (Page 2)(write 1 clear)	

Register:: New_added_status0 0x07					
Name	Bit	R/W	Default	Description	Config.
Wstate	7	R	---	Wait state status	
New_m_state	6	R	---	New mode state	
Change_m_happen	5	R	---	Change mode happen (it will not be triggered while VGIP active signal is low)	
Wstate_IRQ_en	4	R/W	0	IRQ enable of Wait state status 0:disable 1:enable	
New_m_state_IRQ_en	3	R/W	0	IRQ enable of New mode status 0:disable 1:enable	
Change_m_happen_IRQ_en	2	R/W	0	IRQ enable of change mode happen status 0:disable 1:enable	
DP_IRQ	1	R	---	Display port IRQ status	
Reserved	0	---	---	Reserved	

Register:: New_added_status1 0x08					
Name	Bit	R/W	Default	Description	Config.
Reserved	7:0	---	---	Reserved	

Address: 09~0B Reserved

**Watch Dog****Address: 0C****WATCH_DOG_CTRL0****Default: 00h**

Bit	Mode	Function
7	R/W	Auto Switch When Input HSYNC/VSYNC Error 0: Disable (Default) 1: Enable (See CR02[6] and CR02[5])
6	R/W	Auto Switch When Input HSYNC/VSYNC Timeout or Overflow 0: Disable (Default) 1: Enable (See CR52[4] and CR54[5:4])
5	R/W	Auto Switch When Display VSYNC Timeout 0: Disable (Default) 1: Enable
4	R/W	Auto Switch When ADC-PLL Unlock 0: Disable (Default) 1: Enable
3	R/W	Auto Switch When Overflow or Underflow (for Frame-Sync Display) 0: Disable (Default) 1: Enable
2	R/W	Watch-Dog Action if Event Happened (for Display Timing) 0: Disable (Default) 1: Free Run
1	R/W	Watch-Dog Action if Event Happened (for Display Data) 0: Disable (Default) 1: Background (Turn off overlay function and switch to background display simultaneously)
0	R	Display VSYNC Timeout Flag (for CR0C[5]) 0: DVS is present 1: DVS is timeout The line number of Display HS is equal to Display Vertical Total; this bit is set to "1". (Write to clear status).

Address: 0D**WATCH_DOG_CTRL1****Default: 00h**

Bit	Mode	Function
7	R/W	Auto Switch When Input HSYNC Changed 0: Disable (Default) 1: Enable (See CR58[3])



6	R/W	Auto Switch When Input VSYNC Changed 0: Disable (Default) 1: Enable (See CR58[2])
5	R/W	Wstate WD enable 0:Disable(Default) 1:enable
4	R/W	New_m_state 0:Disable(Default) 1:enable
3	R/W	Change_mode_happen 0:Disable(Default) 1:enable
2:0	---	Reserved

Address: 0E~0F Reserved

Input Video Capture

Address: 10 **VGIP_CTRL (Video Graphic Input Control Register)** **Default: 00h**

Bit	Mode	Function				
7	R/W	8 bit Random Generator 0: Disable(Default) 1: Enable				
6	R/W	Input Test Mode: 0: Disable (Default) 1: Video8 input will go through RGB channel, AVS=>IVS, AHS=>IHS, VCLK=>ICLK				
5	R/W	VGIP Double Buffer Ready 0: Not Ready to Apply 1: Ready to Apply When the list table of CR10[4] is set, then enable CR10[5] . Finally, hardware will auto load these values into VGIP double buffer registers as the trigger event happens and clear CR10[5] to 0.				
4	R/W	VGIP Double Buffer Mode Enable (Each register described below has its own double buffer) 0: Disable (Original- Write instantly by MCU write cycles) 1: Enable (Double Buffer Function Write Mode)				
		<table border="1"> <thead> <tr> <th>Register</th> <th>Trigger Event</th> </tr> </thead> <tbody> <tr> <td>PLLPHASE(CRB3,CRB4)</td> <td>Falling edge of Ivactive</td> </tr> </tbody> </table>	Register	Trigger Event	PLLPHASE(CRB3,CRB4)	Falling edge of Ivactive
Register	Trigger Event					
PLLPHASE(CRB3,CRB4)	Falling edge of Ivactive					



		<table border="1"> <tr> <td>Add 1-clk Delay to IHS Delay (CR12[4]) HSYNC Synchronize Edge (CR12[3])</td> <td></td> </tr> <tr> <td>IPH_ACT_STA (CR14[2:0],CR15)</td> <td>Falling edge of Iactive</td> </tr> <tr> <td>IPV_ACT_STA (CR18[2:0],CR19) IV_DV_LINES (CR40)</td> <td>Falling edge of Iactive</td> </tr> <tr> <td>IVS_DELAY (for capture) (CR1C,CR1E[1])</td> <td>Falling edge of Iactive</td> </tr> <tr> <td>IHS_DELAY (for capture) (CR1D, CR1E[0])</td> <td>Falling edge of Iactive</td> </tr> </table>	Add 1-clk Delay to IHS Delay (CR12[4]) HSYNC Synchronize Edge (CR12[3])		IPH_ACT_STA (CR14[2:0],CR15)	Falling edge of Iactive	IPV_ACT_STA (CR18[2:0],CR19) IV_DV_LINES (CR40)	Falling edge of Iactive	IVS_DELAY (for capture) (CR1C,CR1E[1])	Falling edge of Iactive	IHS_DELAY (for capture) (CR1D, CR1E[0])	Falling edge of Iactive
Add 1-clk Delay to IHS Delay (CR12[4]) HSYNC Synchronize Edge (CR12[3])												
IPH_ACT_STA (CR14[2:0],CR15)	Falling edge of Iactive											
IPV_ACT_STA (CR18[2:0],CR19) IV_DV_LINES (CR40)	Falling edge of Iactive											
IVS_DELAY (for capture) (CR1C,CR1E[1])	Falling edge of Iactive											
IHS_DELAY (for capture) (CR1D, CR1E[0])	Falling edge of Iactive											
3:2	R/W	Input Pixel Format 00: Embedded ADC (ADC_HS)(Default) 01: Embedded TMDS 10: Video8 11: Reserved										
1	R/W	Input Graphic/Video Mode 0: From analog input (input captured by 'Input Capture Window') (Default) 1: From digital input (captured start by 'enable signal', but sill stored in 'capture window size')										
0	R/W	Input Sampling Run Enable 0: No data is transferred (Default) 1: Sampling input pixels										

Address: 11 VGIP_SIGINV (Input Control Signal Inverted Register) Default: 00h

Bit	Mode	Function
7	R/W	Safe Mode 0: Normal (Default) 1: Safe Mode Enable, mask 1 frame IVS of every 2 frame IVS, slow down input frame rate.
6	R/W	IVS Sync with IHS Control (Avoid VS bouncing) 0: Enable (Default) 1: Disable
5	R/W	HS Signal Inverted for Field Detection 0: Negative Edge (Default) 1: Positive Edge
4	R/W	Input Video ODD Signal Invert Enable 0: Not inverted (ODD = positive polarity) (Default) 1: Inverted (ODD = negative polarity)
3	R/W	Input VS Signal Polarity Inverted 0: Not inverted (VS = positive polarity) (Default) 1: Inverted (VS = negative polarity)
2	R/W	Input HS Signal Polarity Inverted 0: Not inverted (HS = positive polarity) (Default) 1: Inverted (HS = negative polarity)



1	R/W	Input ENA Signal Polarity Inverted 0: Not inverted (input high active) (Default) 1: Inverted (while input low active)
0	R/W	Video Input Clock Polarity 0: Rising edge latched (Default) 1: Falling edge latched

Address: 12

VGIP_DELAY_CTRL

Default: 00h

Bit	Mode	Function
7	R	6-Iclk-delay HS Level Latched by VS Rising Edge
6	R	HS Level Latched by VS Rising Edge
5	R	HS Level Latched by 6-Iclk-delay VS Rising Edge
4	R/W/D	Add One Clock Delay to IHS Delay 0: Disable (Default) 1: Enable
3	R/W/D	HSYNC Synchronize Edge 0: HSYNC is synchronized by the positive edge of the input clock 1: HSYNC is synchronized by the negative edge of the input clock (HSYNC source is selected by CR48[0] and then synchronized)
2	R/W	VS YNC Synchronize Edge 0: Latch VS by the negative edge of input HSYNC (Default) 1: Latch VS by the positive edge of input HSYNC
1:0	R/W	Video Input Clock Delay Control: 00: Normal (Default) 01: 1ns delay 10: 2ns delay 11: 3ns delay

Address: 13

VGIP_ODD_CTRL (Video Graphic Input ODD Control Register)

Default: 00h

Bit	Mode	Function
7	R/W	ODD Inversion for ODD-Controlled-IVS-Delay 0: Not Invert (Default) 1: Invert
6	R/W	ODD-Controlled-IVS-Delay One-Line Enable 0: Disable (Default) 1: Enable
5	R/W	Safe Mode ODD Inversion 0: Not inverted (Default) 1: Inverted



4	R/W	Force ODD Toggle Enable (Without ODD/EVEN Toggle Select in Safe Mode) 0: Disable (Default) 1: Enable
3	R/W	Video 4:2:2->4:4:4 Enable before Scale-Down (Duplicate) 0: Disable (Default) 1: Enable
2	R/W	Decode Video8 when ADC or TMDS Active 0: Disable (Default) 1: Enable
1	R/W	EAV Error Correction Enable in Video-8 0: Disable 1: Enable
0	R/W	Internal ODD Signal Selection 0: ODD signal from EAV or YPbPr (Default) 1: Internal Field Detection ODD signal (Also support under VGA, DVI input)

Realtek Confidential for Qisda



Input Frame Window

(All capture window setting unit is 1)

Address: 14 **IPH_ACT_STA_H (Input Horizontal Active Start)** **Default: 00h**

Bit	Mode	Function
7:4	R/W/D	Input Video Horizontal Active Width -- High Byte [11:8]
3:0	R/W/D	Input Video Horizontal Active Start -- High Byte [11:8]

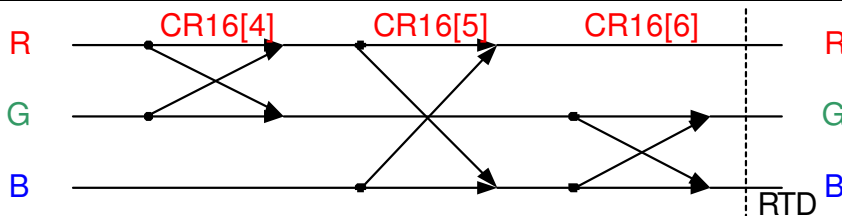
Address: 15 **IPH_ACT_STA_L (Input Horizontal Active Start Low)** **Default: 00h**

Bit	Mode	Function
7:0	R/W/D	Input Video Horizontal Active Start -- Low Byte [7:0]

- In analog mode, **IPH_ACT_STA** means the delay number of pixel clock from the leading edge of HS to the first pixel of each active line. Actual delay number of pixel clock = **IPH_ACT_STA**(≥ 2) + 2,
- In digital mode, **IPH_ACT_STA** means the delay number of pixel clock from the leading edge of DE to the first pixel of each active line. Actual delay number of pixel clock = **IPH_ACT_STA**(≥ 0)

Address: 16 **IPH_ACT_WID_H (Input Horizontal Active Width High)** **Default: 00h**

Bit	Mode	Function
7	R/W	Video8 -C-Port Input Latch Bus MSB to LSB Swap Control: 0: Normal (Default) 1: Swap Video8 -C-port MSB to LSB sequence into LSB to MSB
6	R/W	ADC Input G/B Swap 0: No Swap 1: Swap
5	R/W	ADC Input R/B Swap 0: No Swap 1: Swap
4	R/W	ADC Input R/G Swap 0: No Swap 1: Swap
3	R/W	Double Clock Input 0: Single Clock 1: Double Clock this bit should be set double clock when using video 8 input
2:0	---	Reserved



**Address: 17** **IPH_ACT_WID_L (Input Horizontal Active Width Low)** **Default: 00h**

Bit	Mode	Function
7:0	R/W	Input Video Horizontal Active Width -- Low Byte [7:0]

This register defines the number of active pixel clocks to be captured.

Address: 18 **IPV_ACT_STA_H (Input Vertical Active Start High)** **Default: 00h**

Bit	Mode	Function
7:4	R/W	Input Video Vertical Active Lines – High Byte [11:8]
3:0	R/W/D	Input Video Vertical Active Start – High Byte [11:8]

Address: 19 **IPV_ACT_STA_L (Input Vertical Active Start Low)** **Default: 00h**

Bit	Mode	Function
7:0	R/W/D	Input Video Vertical Active Start – Low Byte [7:0]

The numbers of lines from the leading edge of selected input video VSYNC to the first line of the active window.

The value above should be larger than 1.

Address: 1A **IPV_ACT_LEN_H (Input Vertical Active Lines)** **Default: 00h**

Bit	Mode	Function
7	R	SAV/EAV 2-Bit Error Happened (Set if happened and write to clear)
6	R	SAV/EAV 1-Bit Error Happened (Set if happened and write to clear)
5	R	Internal Field Detection ODD Toggle Happened (Set if happened and write to clear) The function should be worked under no input clock
4:3	R	Number of Input HS between 2 Input VS (LSB bit [1:0])
2:0	R/W	Reserved

Address: 1B **IPV_ACT_LEN_L (Input Vertical Active Lines)** **Default: 00h**

Bit	Mode	Function
7:0	R/W	Input Video Vertical Active Lines – Low Byte [7:0]

This register defines the number of active lines to be captured.

Address: 1C **IVS_DELAY (Internal Input-VS Delay Control Register)** **Default: 00h**

Bit	Mode	Function
7:0	R/W/D	Input VSYNC Delay for Capture[7:0] (Counted by Input HSYNC) It's IVS delay for capture and digital filter, not for auto function

Address: 1D **IHS_DELAY (Internal Input-HS Delay Control Register)** **Default: 00h**

Bit	Mode	Function
7:0	R/W/D	Input HSYNC Delay for Capture [7:0] (Counted by Input Pixel Clock) It's IHS delay for capture and digital filter, not for auto function

Address: 1E **VGIP_HV_DELAY** **Default: 00h**

Bit	Mode	Function
7:6	R/W	Input HSYNC Delay for Auto Function (Counted by Input Pixel Clock)



		00: No delay 01: 32 pixels 10: 64 pixels 11: 96 pixels
5:4	R/W	Input VSYNC Delay for Auto Function (Counted by Input HSYNC) 00: No delay 01: 3 line 10: 7 line 11: 15 line
3	R/W	Select DataEnable or HSync to adjust clock phase 0: use DataEnable to adjust clock phase (Default) 1: use HSync to adjust clock phase (while input source as ADC)
2	---	Reserved
1	R/W/D	Input VSYNC Delay for Capture[8] (Counted by Input HSYNC)
0	R/W/D	Input HSYNC Delay for Capture[8] (Counted by Input Pixel Clock)

Address: 1F **V8 Source Select & YUV422 to YUV444 Conversion** **Default: 00h**

Bit	Mode	Function
7	R/W	Reorder the data flow 0: dfilter -> color_conversion -> dithering -> HSD 1: dfilter -> dithering -> color_conversion -> HSD
6:4	---	Reserved
3	R/W	Video 4:2:2->4:4:4 Enable before Scale-Down 0: Disable (Default) 1: Enable (This bit should be always enable when in Video8/ HDMI YUV422 mode.)
2	R/W	Video 4:2:2->4:4:4 Mode Select 0: Interpolation (Default) 1: Duplicate (This bit would be work only while CR1F[3] is enable)
1	R/W	Output 444 Format (only work in Interpolation Mode) 0: $Y_0U_0V_0, Y_1\frac{(U_0+U_2)}{2}\frac{(V_0+V_2)}{2}, Y_2U_2V_2, Y_3\frac{(U_2+U_4)}{2}\frac{(V_2+V_4)}{2}, \dots$ 1: $Y_0U_0V_1, Y_1\frac{(U_0+U_2)}{2}V_1, Y_2U_2\frac{(V_1+V_3)}{2}, Y_3\frac{(U_2+U_4)}{2}V_3, \dots$
0	R/W	UV Swap (for YUV422 to YUV444) (only work in Interpolation Mode) 0: Sequence 444 result: Y, U, V 1: Sequence 444 result: Y, V, U

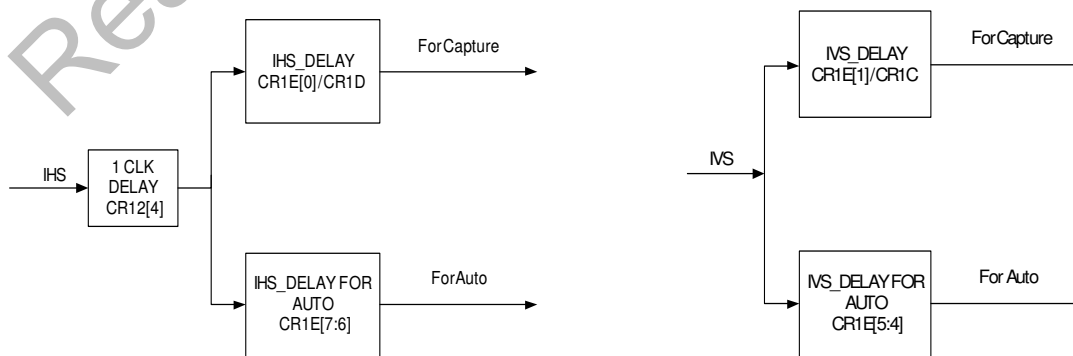


Figure 15: Input HSYNC/VSYNC Delay Path Diagram



Address: 20 **V8CLK_SEL (v8clk selection setting)** **Default: 00h**

Bit	Mode	Function
7:6	---	Reserved
5:4	R/W	V8clk divider: 00: div 2 (Default) 01: div 4 10: div 8 11: reserved
3	---	Reserved
2:0	R/W	V8clk_phase: 000: phase 0 (Default) 001: phase 1 010: phase 2 (not work while div2) 011: phase 3 (not work while div2) 100: phase 4 (not work while div2 & div4) 101: phase 5 (not work while div2 & div4) 110: phase 6 (not work while div2 & div4) 111: phase 7 (not work while div2 & div4)

FIFO Frequency

Address: 22 **FIFO Frequency** **Default: 00h**

Bit	Mode	Function
7	R/W	Test Mode 0: Disable 1: Input data of VGIP Replaced by Background Color in CR6D
6:3	R/W	Reserved to 0
2	R/W	Internal Xtal Frequency 0: Fxtal 1: $F_{xtal} * M2PLL_M / M2PLL_N / 10$
1:0	R/W	FIFO Frequency 00: MPLL 01: ICLK 10: DCLK 11: M2PLL

Scaling Down Control

Address: 23 **SCALE_DOWN_CTRL (Scale Down Control Register)** **Default:00h**

Bit	Mode	Function
7	R/W	Vertical scale down function mode selection: 0: Use line interpolation mode (Default) 1: Use drop line mode (Note: This bit is only valid while CR23[0]=1'b1.)
6	R	Bist for Line Buffer one & two ok 0: Fail



		1: Ok
5	---	Reserved
4	R/W	Line Buffer Bist Function Start (Auto clear to 0 when finish) 0: Finish 1: Start
3	R/W	Horizontal non-linear scale down 0: linear 1: non-linear
2	R/W	Vertical Scale-Down Compensation 0: Disable (Default) 1: Enable
1	R/W	Horizontal scale down function enable: 0: Disable scale down function (Default) 1: Enable scale down function
0	R/W	Vertical scale down function enable: 0: Disable scale down function (Default) 1: Enable scale down function (Note: There is a bit to select interpolation or dropping for vertical scale down at CR24[7].)

Address: 24 **Scale_Down_Access_Port Control** **Default: 00h**

Bit	Mode	Function
7	R/W	Enable scale-down access port
6:5	--	Reserved to 0
4:0	R/W	Scale-down port address

Address: 25-00 **V_SCALE_INIT**

Bit	Mode	Function
7:6	--	Reserved
5:0	R/W	Vertical Scale Down Initial Select [5:0]

- Scale Down Initial Point Select: for example, if the value is 43, we select the initial point is 43/64

Address: 25-01 **V_SCALE_DH (Vertical scale down factor register)**

Bit	Mode	Function
7:3	R/W	Reserved
2:0	R/W	Vertical Scale Down Factor [18:16]

Address: 25-02 **V_SCALE_DM (Vertical scale down factor register)**

Bit	Mode	Function
7:0	R/W	Vertical Scale Down Factor [15:8]

Address: 25-03 **V_SCALE_DL (Vertical scale down factor register)**

Bit	Mode	Function
-----	------	----------



7:0	R/W	Vertical Scale Down Factor [7:0]
-----	-----	---

- Registers {V_SCALE_DH, V_SCALE_DM, V_SCALE_DL} = (Yi/Ym)*(2¹⁷).
- The largest scale down ratio is 1/4 (integer part 2 bits)
- Meanwhile, Yi = vertical input length; Ym=vertical memory write length

Address: 25-04 H_SCALE_INIT

Bit	Mode	Function
7:6	--	Reserved
5:0	R/W	Horizontal Scale Down Initial Select [5:0]

- Scale Down Initial Point Select: for example, if the value is 43, we select the initial point is 43/64

Address: 25-05 H_SCALE_DH

Bit	Mode	Function
7:0	R/W	Horizontal Scale Down Factor [23:16]

Address: 25-06 H_SCALE_DM

Bit	Mode	Function
7:0	R/W	Horizontal Scale Down Factor [15:8]

Address: 25-07 H_SCALE_DL

Bit	Mode	Function
7:0	R/W	Horizontal Scale Down Factor [7:0]

- For linear scale down, registers {H_SCALE_DH, HSCALE_DM, HSCALE_DL} = (Xi/Xm)*(2²⁰).
- Meanwhile, Xi = vertical input length; Xm=vertical memory write length

Address: 25-08 H_SCALE_ACCH

Bit	Mode	Function
7	--	Reserved
6:0	R/W	Horizontal Scale Down Accumulated Factor [14:8]

Address: 25-09 H_SCALE_ACCL

Bit	Mode	Function
7:0	R/W	Horizontal Scale Down Accumulated Factor [7:0]

Address: 25-0A SD_ACC_WIDTHHH

Bit	Mode	Function
7:2	--	Reserved
1:0	R/W	Horizontal Scale Down Accumulated Width [9:8]

Address: 25-0B SD_ACC_WIDTHHL

Bit	Mode	Function
7:0	R/W	Horizontal Scale Down Accumulated Width [7:0]

Address: 25-0C SD_FLAT_WIDTHHH

Bit	Mode	Function
7:3	--	Reserved
2:0	R/W	Horizontal Scale Down Flat Width [10:8]

Address: 25-0D SD_FLAT_WIDTHHL

Bit	Mode	Function
7:0	R/W	Horizontal Scale Down Flat Width [7:0]

*Address: 25-0E, 25-0F reserved***Address: 25-10** Input Pattern Generator Ctrl 0 **Default: 8'h00**

Bit	Mode	Function
7	R/W	Pattern reset to initial value 0 : 1 frame 1 : 16 frame
6	R/W	Random generator mode 0 : $x^9 + x^3 + 1$ 1 : $x^{29} + x^6 + x^4 + x + 1$ (Green, Blue, Red)
5	R/W	Data update (RED) 0 : reference data enable(pixel base) 1 : reference horizontal data enable end(line base)
4	R/W	Data update (GREEN) 0 : reference data enable 1 : reference horizontal data enable end
3	R/W	Data update (BLUE) 0 : reference data enable 1 : reference horizontal data enable end
2	R/W	Pattern generator mode (RED) 0 : random generator (ref. CR25-10[6]) 1 : pattern generator (reg. CR25-11[2])
1	R/W	Pattern generator mode (GREEN) 0 : random generator (ref. CR25-10[6]) 1 : pattern generator (reg. CR25-11[1])
0	R/W	Pattern generator mode (BLUE) 0 : random generator (ref. CR25-10[6]) 1 : pattern generator (reg. CR25-11[0])

Address: 25-11 Input Pattern Generator Ctrl 1 **Default: 8'h00**

Bit	Mode	Function
7-3	R/W	Reserved to 0
2	R/W	Pattern generator (RED) 0 : $Out(n) = Out(n-1)$ 1 : $Out(n) = Out(n-1) + 1$
1	R/W	Pattern generator (GREEN) 0 : $Out(n) = Out(n-1)$ 1 : $Out(n) = Out(n-1) + 1$
0	R/W	Pattern generator (BLUE) 0 : $Out(n) = Out(n-1)$ 1 : $Out(n) = Out(n-1) + 1$

Address: 25-12 Input Pattern Generator RED Initial Value **Default: 8'h01**

Bit	Mode	Function
7-0	R/W	RED Initial Value [7:0]

Address: 25-13 Input Pattern Generator GREEN Initial Value **Default: 8'h01**

Bit	Mode	Function
7-0	R/W	Green Initial Value [7:0]

Address: 25-14 Input Pattern Generator BLUE Initial Value **Default: 8'h01**

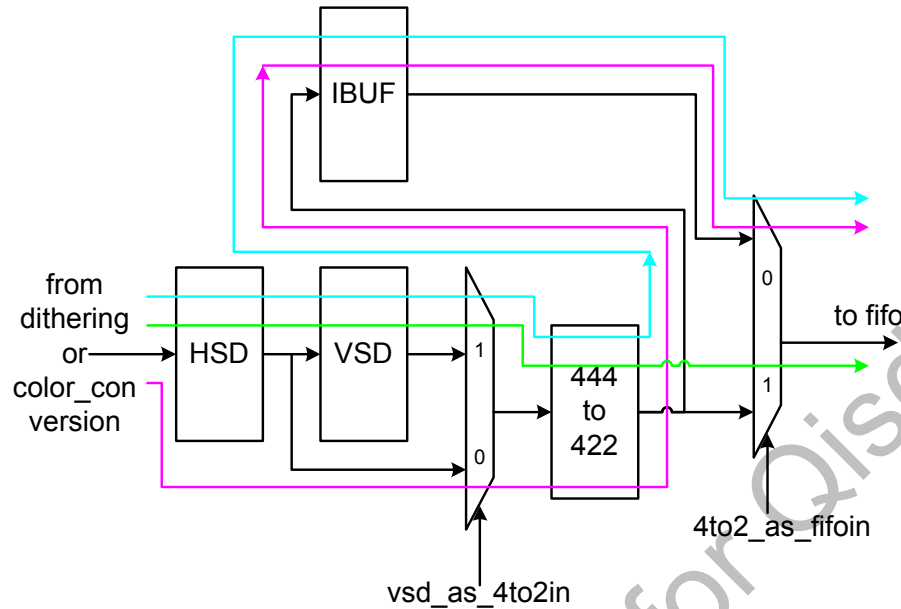
Bit	Mode	Function
7-0	R/W	BLUE Initial Value [7:0]

Address: 25-15 Input Pattern Generator RED/GREEN/BLUE Initial Value **Default: 8'h00**



Bit	Mode	Function
7-6	R/W	Reserved to 0
5-4	R/W	RED Initial Value [9:8]
3-2	R/W	GREEN Initial Value [9:8]
1-0	R/W	BLUE Initial Value [9:8]

Register::I_YUV444to422		0x26			
Name	Bits	Read/Write	Reset State	Comments	Config
VSD_AS_4TO2I N	7	R/W	0	This bit decides the data flow in I-domain: 0: HSD output as YUV444to422 input data 1: VSD output as YUV444to422 input data	
4TO2_AS_FIFOI N	6	R/W	0	This bit decides the data flow in I-domain: 0: I_BUF output as FIFO input data 1: YUV444to422 output as FIFO input data	
LS_RSV_26_54	5:4	R/W	0	Reserved	
444TO422_EN	3	R/W	0	In I-domain, YUV 444 to 422: 0: Disable 1: Enable	
LS_RSV_26_2	2	R/W	0	Reserved	
INTERPOLATE	1	R/W	0	In I-domain, YUV 444 to 422: 0: Drop C directly a. uv_mode = 0: $Y_0U_0, Y_1V_0, Y_2U_2, Y_3V_2...$ b. uv_mode = 1: $Y_0U_0, Y_1V_1, Y_2U_2, Y_3V_3...$ 1: Interpolation Mode a. uv_mode = 0: $Y_0 \frac{(U_0+U_1)}{2}, Y_1 \frac{(V_0+V_1)}{2}, Y_2 \frac{(U_2+U_3)}{2}, Y_3 \frac{(V_2+V_3)}{2}...$ b. uv_mode = 1: $Y_0 \frac{(U_0+U_1)}{2}, Y_1 \frac{(V_1+V_2)}{2}, Y_2 \frac{(U_2+U_3)}{2}, Y_3 \frac{(V_3+V_4)}{2}...$	
UV_MODE	0	R/W	0	In I-domain, 444to422 U/V type 0: U0 V0 U2 V2 U4 V4 ... 1: U0 V1 U2 V3 U4 V5 ...	



- dithering/color_conv => HSD => VSD(drop line) => 444to422 => I_BUF => new_fifo
- dithering/color_conv => HSD => VSD(interpolation) => 444to422 => new_fifo
- dithering/color_conv => HSD => 444to422 => I_BUF => new_fifo (default setting)

Address: 27 Reserved

Display Format

Address: 28

VDIS_CTRL (Video Display Control Register)

Default: 20h

Bit	Mode	Function
7	R/W	Force Display Timing Generator Enable: (Should be set when in Free-Run mode) 0: wait for input IVS trigger 1: force enable
6	R/W	Display Data Output Inverse Enable 0: Disable (Default) 1: Enable (only when data bus clamp to 0)
5	R/W	Display Output Force to Background Color 0: Display output operates normally 1: Display output is forced to the color as selected by background color (CR6D) (Default)
4	R/W	Display 18 bit RGB Mode Enable 0: All individual output pixels are full 24-bit RGB (Default) 1: All individual output pixels are truncated to 18-bit RGB (LSB 2 bits = 0)
3	R/W	Frame Sync Mode Enable



		0: Free running mode (Default) 1: Frame sync mode
2	R/W	Display Output Double Port Enable 0: Single port output (Default) (Not effective if $\overline{\text{CR8C-A0}}[1]=1'b1$) 1: Double port output
1	R/W	Display Output Run Enable 0: DHS, DVS, DEN & DATA bus are clamped to "0" (Default) 1: Display output normal operation.
0	R/W	Display Timing Run Enable 0: Display Timing Generator is halted, Zoom Filter halted (Default) 1: Display Timing Generator and Zoom Filter enabled to run normally

Steps to disable output: First set $\text{CR28}[1]=0$, set $\text{CR28}[6]$, then set $\text{CR28}[0]=0$ to disable output.

Address: 29

VDISP_SIGINV (Display Control Signal Inverted)

Default: 00h

Bit	Mode	Function
7	R/W	DHS Output Format Select (only available in Frame Sync) 0: The first DHS after DVS is active (Default) 1: The first DHS after DVS is inactive
6	R/W	Display Data Port Even/Odd Data Swap: 0: Disable (Default) 1: Enable
5	R/W	Display Data Port Red/Blue Data Swap 0: Disable (Default) 1: Enable
4	R/W	Display Data Port MSB/LSB Data Swap 0: Disable (Default) 1: Enable
3	R/W	Skew Display Data Output 0: Non-skew data output (Default) 1: Skew data output
2	R/W	Display Vertical Sync (DVS) Output Invert Enable: 0: Display Vertical Sync output normal active high logic (Default) 1: Display Vertical Sync output inverted logic
1	R/W	Display Horizontal Sync (DHS) Output Invert Enable: 0: Display Horizontal Sync output normal active high logic (Default) 1: Display Horizontal Sync output inverted logic
0	R/W	Display Data Enable (DEN) Output Invert Enable: 0: Display Data Enable output normal active high logic (Default)



		1: Display Data Enable output inverted logic
--	--	--

Address: 2A DISP_ADDR (Display Format Address Port)

Bit	Mode	Function								
7	R/W	Display Setting Double buffer enable 0 : Disable 1 : Enable <table border="1" style="margin-left: 20px;"> <tr> <td>Register</td> <td>Trigger Event</td> </tr> <tr> <td>DH_TOTAL</td> <td>DVS Rising</td> </tr> <tr> <td>ODD_FIXED_LAST</td> <td>DVS Rising</td> </tr> <tr> <td>EVEN_FIXED_LAST</td> <td></td> </tr> </table>	Register	Trigger Event	DH_TOTAL	DVS Rising	ODD_FIXED_LAST	DVS Rising	EVEN_FIXED_LAST	
Register	Trigger Event									
DH_TOTAL	DVS Rising									
ODD_FIXED_LAST	DVS Rising									
EVEN_FIXED_LAST										
6	R/W	Display Double Buffer Ready 0: Not Ready to Apply 1: Ready to Apply When the list table of DISP_ADDR[7] is set, then enable DISP_ADDR[6], finally, hardware will auto load these value into RTD as the trigger event happens and clear DISP_ADDR[6] to 0.								
5:0	R/W	Display Format Address								

Address: 2B DISP_DATA (Display Format Data Port)

Bit	Mode	Function
7:0	R/W	Display Format Data

Address: 2B-00 DH_TOTAL_H (Display Horizontal Total Pixels)

Bit	Mode	Function
7:4	--	Reserved to 0
3:0	R/W	Display Horizontal Total Pixel Clocks: High Byte[11:8]

Address: 2B-01 DH_TOTAL_L (Display Horizontal Total Pixels)

Bit	Mode	Function
7:0	R/W	Display Horizontal Total Pixel Clocks: Low Byte[7:0]

Real DH_Total (Target value)= DH_Total (Register value)+ 4

Address: 2B-02 DH_HS_END (Display Horizontal Sync End)

Bit	Mode	Function
7:0	R/W	Display Horizontal Sync End[7:0]: Determines the width of DHS pulse in DCLK cycles

Address: 2B-03 DH_BKGD_STA_H (Display Horizontal Background Start)

Bit	Mode	Function
7:4	--	Reserved to 0
3:0	R/W	Display Horizontal Background Start: High Byte [11:8]

**Address: 2B-04** DH_BKGD_STA_L (Display Horizontal Background Start)

Bit	Mode	Function
7:0	R/W	Display Horizontal Background Start: Low Byte [7:0]

Determines the number of DCLK cycles from leading edge of DHS to first pixel of Background region.

Real DH_BKGD_STA (Target value)= DH_BKGD_STA (Register value)+ 10

Address: 2B-05 DH_ACT_STA_H (Display Horizontal Active Start)

Bit	Mode	Function
7:4	--	Reserved to 0
3:0	R/W	Display Horizontal Active Region Start: High Byte [11:8]

Address: 2B-06 DH_ACT_STA_L (Display Horizontal Active Start)

Bit	Mode	Function
7:0	R/W	Display Horizontal Active Region Start: Low Byte [7:0]

Determines the number of DCLK cycles from leading edge of DHS to first pixel of Active region.

Real DH_ACT_STA (Target value)= DH_ACT_STA (Register value)+ 10

Address: 2B-07 DH_ACT_END_H (Display Horizontal Active End)

Bit	Mode	Function
7:4	--	Reserved to 0
3:0	R/W	Display Horizontal Active End: High Byte [11:8]

Address: 2B-08 DH_ACT_END_L (Display Horizontal Active End)

Bit	Mode	Function
7:0	R/W	Display Horizontal Active End: Low Byte [7:0]

Determines the number of DCLK cycles from leading edge of DHS to the pixel of background region.

Real DH_ACT_END (Target value)= DH_ACT_END (Register value)+ 10

Address: 2B-09 DH_BKGD_END_H (Display Horizontal Background End)

Bit	Mode	Function
7:4	--	Reserved to 0
3:0	R/W	Display Horizontal Background end: High Byte [11:8]

Address: 2B-0A DH_BKGD_END_L (Display Horizontal Background End)

Bit	Mode	Function
7:0	R/W	Display Horizontal Background end: Low Byte [7:0]

Real DH_BKGD_END (Target value) = DH_BKGD_END (Register value)+ 10

Address: 2B-0B DV_TOTAL_H (Display Vertical Total Lines)

Bit	Mode	Function
7:4	--	Reserved to 0
3:0	R/W	Display Vertical Total: High Byte [11:8]

Address: 2B-0C DV_TOTAL_L (Display Vertical Total Lines)



Bit	Mode	Function
7:0	R/W	Display Vertical Total: Low Byte [7:0]

CR2B-0B, CR2B-0C are used as watch dog reference value in *frame sync* mode, the event should be the line number of display HS is equal to DV Total.

Address: 2B-0D DVS_END (Display Vertical Sync End)

Bit	Mode	Function
7:5	--	Reserved to 0
4:0	R/W	Display Vertical Sync End[4:0]: Determines the duration of DVS pulse in lines

Address: 2B-0E DV_BKGD_STA_H (Display Vertical Background Start)

Bit	Mode	Function
7:4	--	Reserved to 0
3:0	R/W	Display Vertical Background Start: High Byte [11:8] Determines the number of lines from leading edge of DVS to first line of background region.

Address: 2B-0F DV_BKGD_STA_L (Display Vertical Background Start)

Bit	Mode	Function
7:0	R/W	Display Vertical Background Start: Low Byte [7:0]

Address: 2B-10 DV_ACT_STA_H (Display Vertical Active Start)

Bit	Mode	Function
7:4	--	Reserved to 0
3:0	R/W	Display Vertical Active Region Start: High Byte [11:8] Determines the number of lines from leading edge of DVS to first line of active region.

Address: 2B-11 DV_ACT_STA_L (Display Vertical Active Start)

Bit	Mode	Function
7:0	R/W	Display Vertical Active Region Start: Low Byte [7:0]

Address: 2B-12 DV_ACT_END_H (Display Vertical Active End)

Bit	Mode	Function
7:4	--	Reserved to 0
3:0	R/W	Display Vertical Active Region End: High Byte [11:8]

Address: 2B-13 DV_ACT_END_L (Display Vertical Active End)

Bit	Mode	Function
7:0	R/W	Display Vertical Active Region End: Low Byte [7:0]

Determine the number of lines from leading edge of DVS to the line of following background region.

Address: 2B-14 DV_BKGD_END_H (Display Vertical Background End)

Bit	Mode	Function
7:4	--	Reserved to 0



3:0	R/W	Display Vertical Background end: High Byte [11:8]
-----	-----	--

Address: 2B-15 DV_BKGD_END_L (Display Vertical Background End)

Bit	Mode	Function
7:0	R/W	Display Vertical Background End: Low Byte [7:0]

Determine the number of lines from leading edge of DVS to the line of start of vertical blanking.

Address: 2B-16~2B-1F Reserved

Display Fine Tune

Address: 2B-20 DIS_TIMING (Display Clock Fine Tuning Register)

Default: 00h

Bit	Mode	Function
7	R/W	Reserved to 0
6:4	R/W	Display Output Clock Fine Tuning Control: 000: DCLK rising edge correspondents with output display data 001: 1ns delay 010: 2ns delay 011: 3ns delay 100: 4ns delay 101: 5ns delay 110: 6ns delay 111: 7ns delay
3	---	Reserved
2	---	Reserved
1	R/W	DCLK Output Enable 0: Disable 1: Enable
0	R/W	DCLK Polarity Inverted 0: Disable 1: Enable

Address: 2B-21 OSD_REFERENCE_DEN

Default: 00h

Bit	Mode	Function
7:0	R/W	Position Of Reference DEN for OSD[7:0]

Address: 2B-22 NEW_DV_CTRL

Default: 00h

Bit	Mode	Function
7	R/W	New Timing Enable 0: Disable



		1: Enable
6	R/W	Line Compensation Enable 0: Disable 1: Enable
5	R/W	Pixel Compensation Enable 0: Disable 1: Enable
4	R/W	Reserve to 0
3:0	R/W	DCLK_Delay[11:8]

Address: 2B-23 NEW_DV_DLY

Default: 00h

Bit	Mode	Function
7:0	R/W	DCLK_Delay[7:0]

When CR2B-22[7]=1, DCLK_Delay[11:0] can't be 0.

Address: 2B-24 SSCG_NEW_Timing_Mode Setting

Default: 00h

Bit	Mode	Function
7	R/W	SSCG New Timing Mode Even/Odd last line setting iverse 0: no inverse 1: inverse
6	R/W	SSCG New Timing Mode Even/Odd last line setting enable 0: disable 1: enable
5:0	R/W	Reserve

Cyclic-Redundant-Check

Address: 2C OP_CRC_CTRL (Output CRC Control Register)

Default: 00h

Bit	Mode	Function
7:6	R/W	CRC Selector 00 : CRC after scale-down (before SDRAM) 01 : CRC after scale-down (before SDRAM) 10 : CRC after all processing 11 : Reserved
5:1	--	Reserved to 0
0	R/W	Output CRC Control: 0: Stop or finish (Default) 1: Start

CRC function = $X^{24} + X^7 + X^2 + X + 1$.

Address: 2D OP_CRC_CHECKSUM (Output CRC Checksum)

Bit	Mode	Function
-----	------	----------



7:0	R/W	1 st read=> Output CRC-24 bit 23~16 2 nd read=> Output CRC-24 bit 15~8 3 rd read=> Out put CRC-24 bit 7~0
-----	-----	--

- The read pointer should be reset when 1. OP_CRC_BYTE is written 2. Output CRC Control starts.
- The read back CRC value address should be auto-increase, the sequence is shown above

FIFO Window

Address: 30 FIFO_WIN_ADDR (FIFO Window Address Port)

Bit	Mode	Function
7:5	--	Reserved to 0
4:0	R/W	FIFO Window Address Port

Address: 31 FIFO_WIN_DATA (FIFO Window Data Port)

Bit	Mode	Function
7:0	R/W	FIFO Window Data Port

- Port address will increase automatically after read/write.

Address: 31-00 DRL_H_BSU (Display Read High Byte Before Scaling-Up) **Default: 00h**

Bit	Mode	Function
7:4	R/W	Display window read width before scaling up: High Byte [11:8]
3:0	R/W	Display window read length before scaling up: High Byte [11:8]

Address: 31-01 DRW_L_BSU (Display Read Width Low Byte Before Scaling-Up) **Default: 00h**

Bit	Mode	Function
7:0	R/W	Display window read width before scaling up: Low Byte [7:0]

Address: 31-02 DRL_L_BSU (Display Read Length Low Byte Before Scaling-Up) **Default: 00h**

Bit	Mode	Function
7:0	R/W	Display window read length before scaling up: Low Byte [7:0]

- The setting above should be use 2 as unit
- The setting above should be use 2 as unit

Scaling Up Function

Address: 32 SCALE_CTRL (Scale Control Register) **Default: 00h**

Bit	Mode	Function
7	R/W	Video mode compensation: 0: Disable (Default)



		1: Enable
6	R/W	Internal ODD-signal inverse for video-compensation 0: No invert (Default) 1: invert
5	R	Display Line Buffer Ready 0: Busy 1: Ready
4	R/W	Enable Full Line buffer: 0: Disable (Default) 1: Enable
3	R/W	Vertical Line Duplication 0: Disable 1: Enable
2	R/W	Horizontal pixel Duplication 0: Disable 1: Enable
1	R/W	Enable the Vertical Filter Function: 0: By pass the vertical filter function block (Default) 1: Enable the vertical filter function block
0	R/W	Enable the Horizontal Filter Function: 0: By pass the horizontal filter function block (Default) 1: Enable the horizontal filter function block

- When using H/V duplication mode, FIFO window width set original width, but FIFO window height should be 2X the original height.

Address: 33 **SF_ACCESS_Port** **Default: 00h**

Bit	Mode	Function
7	R/W	Enable scaling-factor access port
6:5	--	Reserved to 0
4:0	R/W	Scaling factor port address

- When disable scaling factor access port, the access port pointer will reset to 0

Address: 34-00 **HOR_SCA_H (Horizontal Scale Factor High)**

Bit	Mode	Function
7:4	--	Reserved
3:0	R/W	Bit [19:16] of horizontal scale factor

Address: 34-01 **HOR_SCA_M (Horizontal Scale Factor Medium)**

Bit	Mode	Function
7:0	R/W	Bit [15:8] of horizontal scale factor

**Address: 34-02** HOR_SCA_L (Horizontal Scale Factor Low)

Bit	Mode	Function
7:0	R/W	Bit [7:0] of horizontal scale factor

Address: 34-03 VER_SCA_H (Vertical Scale Factor High)

Bit	Mode	Function
7:4	--	Reserved
3:0	R/W	Bit [19:16] of vertical scale factor

Address: 34-04 VER_SCA_M (Vertical Scale Factor Medium)

Bit	Mode	Function
7:0	R/W	Bit [15:8] of vertical scale factor

Address: 34-05 VER_SCA_L (Vertical Scale Factor Low)

Bit	Mode	Function
7:0	R/W	Bit [7:0] of vertical scale factor

This scale-up factor includes a 20-bit fraction part to present a vertical scaled up size over the stream input. For example, for 600-line original picture scaled up to 768-line, the factor should be as follows:

$$(600/768) \times 2^{20} = 0.78125 \times 2^{20} = 819200 = C8000h = 0Ch, 80h, 00h.$$

Address: 34-06 Horizontal Scale Factor Segment 1 Pixel **Default: 00h**

Bit	Mode	Function
7:3	--	Reserved
2:0	R/W	Bit [10:8] of Scaling Factor Segment 1 pixel

Address: 34-07 Horizontal Scale Factor Segment 1 Pixel **Default: 00h**

Bit	Mode	Function
7:0	R/W	Bit [7:0] of Scaling Factor Segment 1 pixel

Address: 34-08 Horizontal Scale Factor Segment 2 Pixel **Default: 00h**

Bit	Mode	Function
7:3	--	Reserved
2:0	R/W	Bit [10:8] of Scaling Factor Segment 2 pixel

Address: 34-09 Horizontal Scale Factor Segment 2 Pixel **Default: 00h**

Bit	Mode	Function
7:0	R/W	Bit [7:0] of Scaling Factor Segment 2 pixel

Address: 34-0A Horizontal Scale Factor Segment 3 Pixel **Default: 00h**

Bit	Mode	Function
7:3	--	Reserved
2:0	R/W	Bit [10:8] of Scaling Factor Segment 3 pixel

Address: 34-0B Horizontal Scale Factor Segment 3 Pixel **Default: 00h**

Bit	Mode	Function
-----	------	----------



7:0	R/W	Bit [7:0] of Scaling Factor Segment 3 pixel
-----	-----	---

Address: 34-0C **Horizontal Scale Factor Delta 1** **Default: 00h**

Bit	Mode	Function
7:5	--	Reserved
4:0	R/W	Bit [12:8] of Horizontal Scale Factor delta 1

Address: 34-0D **Horizontal Scale Factor Delta 1** **Default: 00h**

Bit	Mode	Function
7:0	R/W	Bit [7:0] of Horizontal Scale Factor delta 1

Address: 34-0E **Horizontal Scale Factor Delta 2** **Default: 00h**

Bit	Mode	Function
7:5	--	Reserved
4:0	R/W	Bit [12:8] of Horizontal Scale Factor delta 2

Address: 34-0F **Horizontal Scale Factor Delta 2** **Default: 00h**

Bit	Mode	Function
7:0	R/W	Bit [7:0] of Horizontal Scale Factor delta 2

Address: 34-10 **Horizontal Filter Coefficient Initial Value** **Default: C4h**

Bit	Mode	Function
7:0	R/W	Accumulate Horizontal filter coefficient initial value

Address: 34-11 **Vertical Filter Coefficient Initial Value** **Default: C4h**

Bit	Mode	Function
7:0	R/W	Accumulate Vertical filter coefficient initial value

Address: 35 **FILTER_CTRL (Filter Control Register)** **Default: 00h**

Bit	Mode	Function
7	R/W	Enable Chroma Filter Coefficient Access 0: Disable (Default) 1: Enable
6	R/W	Select Chroma H/V User Defined Filter Coefficient Table for Access Channel 0: 1 st coefficient table (Default) 1: 2 nd coefficient table
5	R/W	Select Chroma Horizontal user defined filter coefficient table 0: 1 st Horizontal Coefficient Table (Default) 1: 2 nd Horizontal Coefficient Table
4	R/W	Select Chroma Vertical user defined filter coefficient table 0: 1st Vertical Coefficient Table (Default) 1: 2 nd Vertical Coefficient Table
3	R/W	Enable Luminance Filter Coefficient Access 0: Disable (Default)



		1: Enable
2	R/W	Select Luminance H/V User Defined Filter Coefficient Table for Access Channel 0: 1 st coefficient table (Default) 1: 2 nd coefficient table
1	R/W	Select Luminance Horizontal user defined filter coefficient table 0: 1 st Horizontal Coefficient Table (Default) 1: 2 nd Horizontal Coefficient Table
0	R/W	Select Luminance Vertical user defined filter coefficient table 0: 1st Vertical Coefficient Table (Default) 1: 2 nd Vertical Coefficient Table

- The User Defined Filter Coefficient Table can be modified on-line. Only the non-active coefficient-table can be modified, and then switch it to active.
- When CR35[7] and CR35[3] are zero, the write counter of FILTER_PORT is reset to zero. You should reset counter before another setting.
- If both CR35[7] and CR35[3] are one, you can set chroma and luminance coefficient at the same time.

Address: 36 **FILTER_PORT (User Defined Filter Access Port)** **Default: 00h**

Bit	Mode	Function
7:0	W	Access port for user defined filter coefficient table

- When enable filter coefficient accessing, the first write byte is stored into the LSB(bit[7:0]) of coefficient #1 and the second byte is into MSB (bit[8:11]). Therefore, the valid write sequence for this table is c0-LSB, c0-MSB, c1-LSB, c1-MSB, c2-LSB, c2-MSB ... c63-LSB & c63-MSB, totally 64 * 2 cycles. Since the 128 taps is symmetric, we need to fill the 64-coefficient sequence into table only.

Address: 37~3F Reserved

Frame Sync Fine Tune

Address: 40 **IVS2DVS_DEALY_LINES (IVS to DVS Lines)** **Default: 00h**

Bit	Mode	Function
7:0	R/W	IVS to DVS Lines: (Only for FrameSync Mode) The number of input HS from IVS to DVS. Should be double buffer by CR10[5:4]

Address: 41 **IV_DV_DELAY_CLK_ODD (Frame Sync Delay Fine Tuning)** **Default: 00h**

Bit	Mode	Function
7:0	R/W	Frame Sync Mode Delay Fine Tune [7:0]



		Applied to all fields when Interlaced_FS_Delay_Fine_Tuning is disabled (CR43[1] = 0) Only for odd-field when Interlaced_FS_Delay_Fine_Tuning is enabled (CR43[1] = 1)
--	--	--

In Frame Sync Mode , CR41[7:0] represents output VS delay fine-tuning. It delays the number of (CR41 [7:0] *16 + 16) input clocks if CR41[7:0] is not equal to 0. (No delay fine-tune if CR41[7:0] = 0)

Address: 42 **IV_DV_DELAY_CLK_EVEN (Frame Sync Delay Fine Tuning)** **Default: 00h**

Bit	Mode	Function
7:0	R/W	Frame Sync Mode Delay Fine Tune [7:0] “00” to disable Only for even-field when Interlaced_FS_Delay_Fine_Tuning is enabled (CR43[1] = 1)

Address: 43 **FS_DELAY_FINE_TUNING** **Default: 00h**

Bit	Mode	Function
7	R/W	Enable measure last line by field 0 : disable 1: enable
6	R/W	Reference field in last line measure 0 : Odd 1 : Even
5:2	R/W	Reserved to 0
1	R/W	Interlaced_FS_Delay_Fine_Tuning 0: Disable (Default) 1: Enable
0	R/W	Internal ODD-signal inverse for Interlaced_FS_Delay_Fine_Tuning 0: No invert (Default) 1: Invert

Address: 44 **LAST_LINE_H** **Default: 00h**

Bit	Mode	Function
7	R/W	Last-line-width / DV-Total Selector : 0: CR44 [3:0] and CR45 indicate last-line width counted by display clock (Default) 1: CR44 [3:0] and CR45 indicate DHS total number between 2 DVS.
6	R/W	DV sync with 4X clock 0: Disable 1: Enable
5	R/W	BIST Test Enable 0: Disable 1: Enable (Auto clear when finish)
4	R/W	BIST Test Result



		0: Fail 1: Ok
3:0	R	DV Total or Last Line Width[11:8] Before Sync in Frame Sync Mode

Address: 45 LAST_LINE_L

Bit	Mode	Function
7:0	R	DV Total or Last Line Width[7:0] Before Sync in Frame Sync Mode

Address: 46 Reserved as page selector for new sync-processor feature**Sync Processor****Address: 47** SYNC_SELECT

Default: 00h

Bit	Mode	Function
7	R/W	On line Sync Processor Power Down (Stop Crystal Clock In) 0: Normal Run (Default) 1: Power Down
6	R/W	HSYNC Type Detection Auto Run 0: manual (Default) 1: automatic
5	R/W	De-composite circuit enable 0: Disable (Default) 1: Enable
4	R/W	Input Sync. Source selection 0: HS_RAW(SS/CS) (Default) 1: SOG/SOY
3	R/W	SOG Source Selection 0: SOG0/SOY0 (Default) 1: reserved
2	R/W	VGA-ADC HS/VS Source 0: 1 ST HS/VS (Default) 1: reserved
1	R/W	Measured by Crystal Clock (Result shown in CR59) (in Digital Mode) 0: Input Active Region (Vertical IDEN start to IDEN stop) (measure at IDEN STOP) (Default) 1: Display Active Region (Vertical DEN start to DEN stop) (measure at DEN STOP) The function should work correctly when IVS or DVS occurs and enable by CR50[4].
0	R/W	HSYNC & VSYNC Measured Mode 0: HS period counted by crystal clock & VS period counted by HS (Analog mode) (Default) 1: H resolution counted by input clock & V resolution counted by ENA (Digital mode) (Get the correct resolution which is triggered by enable signal, ENA)

Address: 48 SYNC_INVERT

Default: 00h



Bit	Mode	Function
7	R/W	COAST Signal Invert Enable: 0: Not inverted (Default) 1: Inverted
6	R/W	COAST Signal Output Enable: 0: Disable (Default) 1: Enable
5	R/W	HS_OUT Signal Invert Enable: 0: Not inverted (Default) 1: Inverted
4	R/W	HS_OUT Signal Output Enable: 0: Disable (Default) 1: Enable
3	R/W	CS_RAW Inverted Enable 0: Normal (Default) 1: Invert
2	R/W	CLAMP Signal Output Enable 0: Disable (Default) 1: Enable
1	R/W	HS Recovery in Coast 0: Disable (Default) (SS/SOY) 1: Enable (CS or SOG)
0	R/W	HSYNC Synchronize source 0: AHS (Default) 1: Feedback HS

Address: 49

SYNC_CTRL (SYNC Control Register)

Default: 06h

Bit	Mode	Function
7	R/W	CLK Inversion to latch Feedback HS for Coast Recovery (Coast Recovery means HS feedback to replace input HS) 0: Non Inversion (Default) 1: Inversion
6	R/W	Select HS_OUT Source Signal 0: Bypass (SeHs)(Use in Separate Mode) 1: Select De-Composite HS out(DeHs) (In Composite mode)
5	R/W	Select ADC_VS Source Signal (Auto switch in Auto Run Mode) 0: VS_RAW 1: DeVS



4	R/W	CLK Inversion to latch ADC HS for Clamp 0: Non Inversion (Default) 1: Inversion
3	R/W	Inversion of HSYNC to measure VSYNC 0: Non Inversion (Default) 1: Inversion
2	R/W	HSYNC Measure Source(ADC_HS1) 0: Select ADC_HS 1: Select SeHS or DeHS by CR49[6] (Default)
1:0	R/W	Measure HSYNC/VSYNC Source Select: 00: TMDS 01: VIDEO8 10: ADC_HS1/ADC_VS (Default) 11: CS_RAW/VS_RAW

Address: 4A **STABLE_HIGH_PERIOD_H** **Default: 00h**

Bit	Mode	Function
7	R	Even/Odd Field of YPbPr (By Line-Count Mode) 0: Even 1: Odd
6	R	The Toggling of Polarity of YPbPr Field Happened (By Line-Count Mode) 0: No toggle 1: Toggle
5	R	Even/Odd Field of YPbPr (By VS-Position Mode) 0: Even 1: Odd
4	R	The Toggling of Polarity of YPbPr Field Happened (By VS-Position Mode) 0: No toggle 1: Toggle
3	R/W	Odd Detection Mode 0: Line-Count Mode (Default) 1: VS-Position Mode
2:0	R	Stable High Period[10:8] Compare each line's high pulse period, if we get continuous 64 lines with the same one, the period is updated as the stable period.

Address: 4B **STABLE_HIGH_PERIOD_L**

Bit	Mode	Function
7:0	R	Stable High Period[7:0] Compare each line's high pulse period, if we get continuous 64 lines with the same one, the



		period is updated as the stable period.
--	--	---

Address: 4C **VSYNC_COUNTER_LEVEL_MSB** **Default: 03h**

Bit	Mode	Function
7	R	HSYNC Type Detection Auto Run Result ready
6:4	R	HSYNC Type Detection Auto Run Result 000: No Signal 001: Not Support 010: YPbPr 011: Serration Composite SYNC 100: XOR/OR-Type Composite SYNC with Equalizer 101: XOR/OR-Type Composite SYNC without Equalizer 110: HSYNC with VS_RAW (Separate HSYNC) 111: HSYNC without VS_RAW (HSYNC only) Reference when Hsync type detection auto run result ready (CR4C[7])
3	R/W	Reserved to 0
2:0	R/W	VSYNC counter level count [10:8] MSB VSYNC detection counter start value.

Address: 4D **VSYNC_COUNTER_LEVEL_LSB** **Default: 00h**

Bit	Mode	Function
7:0	R/W	VSYNC counter level count [7:0] LSB

Address: 4E **HSYNC_TYPE_DETECTION_FLAG**

Bit	Mode	Function
7	R	HSYNC Overflow (16-bits)
6	R	Stable Period Change (write clear when CR4E[6]=1 or CR4F[0]=1)
5	R	Stable Polarity Change (write clear when CR4E[5]=1 or CR4F[0]=1)
4	R	VS_RAW Edge Occurs (write clear when CR4E[4]=1 or CR4F[0]=1) If VS_RAW edge occurs, this bit is set to "1".
3	R	Detect Capture Window Unlock Repeated 32 Times (write clear when CR4E[3]=1 or CR4F[0]=1)
2	R	HSYNC with Equalization (write clear when CR4E[2]=1 or CR4F[0]=1)
1	R	HSYNC Polarity Change (write clear when CR4E[1]=1 or CR4F[0]=1)
0	R	Detect Capture Window Unlock (write clear when CR4E[0]=1 or CR4F[0]=1)

Address: 4F **STABLE_MEASURE** **Default: 00h**

Bit	Mode	Function
7	R	Stable Flag 0: Period or polarity can't get continuous stable status. 1: Both polarity and period are stable.



6	R	Stable Polarity 0: Negative 1: Positive Compare each line's polarity; if we get continuous ≥ 64 lines with the same one, the polarity is updated as the stable polarity.
5:4	R/W	Feedback HSYNC High Period Select by ADC Clock: 00: 32 (Default) 01: 64 10: 96 11: 128
3	R/W	Stable Period Tolerance 0: ± 2 crystal clks (Default) 1: ± 4 crystal clks
2	R/W	VSYNC measure invert Enable 0: Disable (Default) 1: Enable
1	R/W	Pop Up Stable Value 0: No Pop Up (Default) 1: Pop Up Result, (CR4A[2:0], CR4B[7:0], CR4E[3], CR50[2:0], CR51[7:0])
0	R/W	Stable Measure Start 0: Stop (Default) 1: Start

Address: 50**Stable_Period_H****Default: 00h**

Bit	Mode	Function
7	R	Measure One Frame Status 0: Finished after 1 frame measuring / Measure finished 1: Measuring Now
6	R	CS_RAW Inverted by Auto Run Mode 0: Not inverted 1: Inverted
5	R/W	HS_OUT Bypass PLL into VGIP 0: Disable (Default) 1: Enable
4	R/W	Active Region Measure Enable 0: Disable (Default) 1: Enable
3	R/W	ADC_VS Source Select in Test Mode 0: Select ADC_VS Source in Normal Mode or Auto Mode by CR47[6] (Default)



		1: Select ADC_VS Source in Test Mode (Select VS_RAW or DeVS by CR49[5])
2:0	R	Stable Period[10:8] Compare each line's period, if we get continuous 64 lines with the same one, the period is updated as the stable period.

Address: 51 Stable_Period_L

Bit	Mode	Function
7:0	R	Stable Period[7:0] Compare each line's period, if we get continuous 64 lines with the same one, the period is updated as the stable period.

Address: 52 MEAS_HS_PER_H (HSYNC Period Measured Result) Default: 8'b000xxxxx

Bit	Mode	Function
7	R/W	Auto Measure Enable 0: Disable (Default) 1: Enable
6	R/W	Pop Up Period Measurement Result 0: No Pop Up (Default) 1: Pop Up Result
5	R/W	Start a HS & VS period / H & V resolution & polarity measurement (on line monitor) 0: Finished/Disable (Default) 1: Enable to start a measurement, auto cleared after finished
4	R	Over-flow bit of Input HSYNC Period Measurement 0: No Over-flow occurred 1: Over-flow occurred
3:0	R	Input HSYNC Period Measurement Result: High Byte[11:8]

Address: 53 MEAS_HS_PER_L (HSYNC Period Measured Result)

Bit	Mode	Function
7:0	R	Input HSYNC Period Measurement Result: Low Byte[7:0]

- The result is expressed as the average number of crystal clocks (CR47[0]=0), or input clocks (CR47[0]=1) between 2 HSYNC.
- The result is the total number of crystal/input clocks inside 16-HSYNC periods divided by 16.
- Fractional part of measure result is stored in CR56[3:0].

Address: 54 MEAS_VS_PER_H (VSYNC Period Measured Result)

Bit	Mode	Function
7	R	Input VSYNC Polarity Indicator 0: negative polarity (high period is longer than low one) 1: positive polarity (low period is longer than high one)
6	R	Input HSYNC Polarity Indicator



		0: negative polarity (high period is longer than low one) 1: positive polarity (low period is longer than high one)
5	R	Time-Out bit of Input VSYNC Period Measurement (No VSYNC occurred) 0: No Time Out 1: Time Out occurred
4	R	Over-flow bit of Input VSYNC Period Measurement 0: No Over-flow occurred 1: Over-flow occurred
3:0	R	Input VSYNC Period Measurement Result: High Byte[11:8]

Address: 55 MEAS_VS_PER_L (VSYNC Period Measured Result)

Bit	Mode	Function
7:0	R	Input VSYNC Period Measurement Result: Low Byte[7:0]

- This result is expressed in terms of input HS pulses.
- When measured digitally, the result is expressed as the number of input ENA signal within a frame.

Address: 56 MEAS_HS&VS_HI_H (HSYNC&VSYNC High Period Measured Result)

Bit	Mode	Function
7:4	R	Input HSYNC High Period Measurement Result: High Byte[11:8] (CR58[0] = 0) Input VSYNC High Period Measurement Result: High Byte[11:8] (CR58[0] = 1)
3:0	R	Input HSYNC Period Measurement Fractional Result (See CR52,53)

Address: 57 MEAS_HS&VS_HI_L (HSYNC&VSYNC High Period Measured Result)

Bit	Mode	Function
7:0	R	Input HSYNC High Period Measurement Result: Low Byte[7:0] (CR58[0] = 0) Input VSYNC High Period Measurement Result: Low Byte[7:0] (CR58[0] = 1)

- This result of HSYNC high-period is expressed in terms of crystal clocks. When measured digitally, the result of HSYNC high-period is expressed as the number of input clocks inside the input enable signal.
- This result of VSYNC high-period is expressed in terms of input HS pulses

Address: 58 MEAS_HS&VS_HI_SEL (VSYNC High Period Measured Result) Default:00h

Bit	Mode	Function
7:6	R/W	HSYNC_MAX_DELTA 00: Don't care (CR58[3] will never go high) 01: 4-clock 10: 8-clock 11: 16-clock
5:4	R/W	VSYNC_MAX_DELTA 00: Don't care (CR58[2] will never go high) 01: 2-HSYNC 10: 4-HSYNC



		11: 8-HSYNC
3	R	HSYNC_OVER_RANGE Set to 1 if variation of HSYNC larger than HSYNC_MAX_DELTA is detected by on-line measurement (CR52[7]=1). Write to clear this flag.
2	R	VSYNC_OVER_RANGE Set to 1 if variation of VSYNC larger than VSYNC_MAX_DELTA is detected by on-line measurement (CR52[7]=1). Write to clear this flag.
1	R/W	Start Measurement after Mode Detection Auto-mode 0: Disable 1: Enable (Default)
0	R/W	HSYNC/VSYNC High Period Measurement Result Select 0: HSYNC 1: VSYNC (See CR56~CR57)

Address: 59 **MEAS_ACTIVE_REGION_H (Active Region Measured by CRSTL_CLK Result)**

Bit	Mode	Function
7:0	R/W	Active Region Measured By Crystal Clock 1st read: Measurement Result: High Byte[23:16] 2nd read: Measurement Result: High Byte[15:8] 3rd read: Measurement Result: High Byte[8:0] Read pointer is auto increase, if write, the pointer is also reset to 1 st result.

Address: 5A **SYNC_TEST_MISC** **Default: 00h**

Bit	Mode	Function
7	R/W	Clamp Reference Source Selection 0: Clamp source from normal HS 1: Clamp source from CS_RAW
6	R/W	Sync Processor Time-Clock Test Mode 0: Normal (Default) 1: Enable Test Mode; (switch 70ns-ck to the time-out & polarity counters)
5:3	R/W	Sync Processor Test Signals Output Selection 000: Disable On-line Sync-Processor Test-Signal Output (Default) 001: adc_vs, adc_hs, adc_field, sog, vs_raw, cs_raw, hs_out, coast 010: cs_hs, hs_yprpb_postiv, input_signal_be_inverted, search_finish, load_search_stable48_result, load_finish_stable48_result, cap_hit, cap_miss 011: cs_hs ,cap_window ,de_hs ,de_vs ,de_coast ,clamp_mask ,cap_hit ,cap_miss 100: cs_raw, hs_for_decmp, auto_det_rdy, auto_result_rdy, flg_cnt_is50ms, flg_cnt_is80ms, hs_for_mv, mv_occur 101: mode_det_of, stb_per_chg, stb_pol_chg, vs_raw_vld, cap_32unlock, eq_occur, hs_pol_chg, cap_unlock 110: vs1_meas, hs1_meas, meas_clk, ms_now, reg_ms_1_frame_now, hsper_of, vsper_of,



		ms_timeout 111: adc_vs, clamp_mask, hs_clamp_g, hs_clamp_rb, vga_online_clamp3, vga_online_clamp2, vga_online_clamp1, vga_online_clamp0
2:0	R	The Number of Input HS between 2 Input VSYNC. LSB bit [2:0] for YPbPr

Address: 5B Reserved**Address: 5C SYNC_PROC_PORT_ADDR Default: 00h**

Bit	Mode	Function
7:5	R/W	Reserved
4:0	R/W	Sync Processor Access Port Address

Address: 5D SYNC_PROC_PORT_DATA Default: 00h

Bit	Mode	Function
7:0	R/W	Sync Processor Access Port Data

- Port address will increase automatically after read/write.

Address: 5D-00 G_CLAMP_START (Clamp Signal Output Start) Default: 04h

Bit	Mode	Function
7:0	R/W	Start of Output Clamp Signal Pulse for Y/G Channel[7:0]: Determine the number of input double-pixel between the trailing edge of input HSYNC and the start of the output CLAMP signal.

Address: 5D-01 G_CLAMP_END (Clamp Signal Output End) Default: 10h

Bit	Mode	Function
7:0	R/W	End of Output Clamp Signal Pulse for Y/G Channel [7:0]: Determine the number of input double-pixel between the trailing edge of input HSYNC and the end of the output CLAMP signal.

Address: 5D-02 BR_CLAMP_START (Clamp Signal Output Start) Default: 04h

Bit	Mode	Function
7:0	R/W	Start of Output Clamp Signal Pulse for B/Pb and R/Pr Channel [7:0]: Determine the number of input double-pixel between the trailing edge of input HSYNC and the start of the output CLAMP signal.

Address: 5D-03 BR_CLAMP_END (Clamp Signal Output End) Default: 10h

Bit	Mode	Function
7:0	R/W	End of Output Clamp Signal Pulse for B/Pb and R/Pr Channel [7:0]: Determine the number of input double-pixel between the trailing edge of input HSYNC and the end of the output CLAMP signal.

Address: 5D-04 CLAMP_CTRL0 Default: 00h

Bit	Mode	Function
-----	------	----------



7	R/W	Clamp Trigger Edge Inverse for Y/G Channel 0: Trailing edge (Default) 1: Leading edge
6	R/W	Clamp Trigger Edge Inverse for B/Pb and R/Pr Channel 0: Trailing edge (Default) 1: Leading edge
5:0	R/W	Mask Line Number before DeVS [5:0]

Address: 5D-05**CLAMP_CTRL1****Default: 00h**

Bit	Mode	Function
7	R/W	Clamp Mask Enable 0: Disable (Default) 1: Enable
6	R/W	Select Clamp Mask as De VS 0: Disable 1: Enable
5:0	R/W	Mask Line Number after DeVS [5:0]

CR5D-04[5:0] and CR5D-05[5:0] will set number of Mask Line before/after DeVS for Clamp Mask.

Address: 5D-06**CLAMP_CTRL2****Default: 00h**

Bit	Mode	Function
7	R/W	Clamp Clock Source 0: ADC_Clock (Default) 1: Crystal Clock
6	R/W	Clamp Counter Unit (0x5D-00 – 0x5D-03) 0: Double Pixels (Default) 1: Single Pixel
5	R/W	ADC1_clamp_enable 0: Disable (Default) 1: Enable
4	R/W	ADC0_clamp_enable 0: Disable (Default) 1: Enable
3	R/W	ADC-3 Clamp Source 0: Clamp-G (Default) 1: Clamp-BR
2	R/W	ADC-2 Clamp Source 0: Clamp-G (Default) 1: Clamp-BR



1	R/W	ADC-1 Clamp Source 0: Clamp-G (Default) 1: Clamp-BR
0	R/W	ADC-0 Clamp Source 0: Clamp-G (Default) 1: Clamp-BR

Address: 5D-07 COAST_CTRL Default: 21h

Bit	Mode	Function
7:4	R/W	Start of COAST before DeVS Leading Edge [3:0]
3:0	R/W	End of COAST after DeVS Trailing Edge [3:0]

Address: 5D-08 CAPTURE_WINDOW_SETTING Default: 04h

Bit	Mode	Function
7	R/W	Coast_sel 0: de_coast (Default) 1: coast_org
6	R/W	Capture Miss Limit during Hsync Extraction 0: 32 (Default) 1: 16
5	R/W	Capture Window add step as Miss Lock 0: ± 1 crystal clks (Default) 1: ± 2 crystal clks
4:0	R/W	Capture Window Tolerance 5'h00: ± 6 crystal clks for capture window 5'h01 ~ 5'b1F: $\pm 1 \sim \pm 31$ crystal clks for capture window

Address: 5D-09 DETECTION_TOLERANCE_SETTING Default: 00h

Bit	Mode	Function
7	R/W	Reserved to 0
6:5	R/W	Stable Period Tolerance Extension 00: Use 0x4F[3] Setting (Default) 01: ± 4 crystal clks 10: ± 8 crystal clks 11: ± 16 crystal clks
4:0	R/W	H-sync for De-composite De-bounce Length 5'h00: Disable De-bounce Function (Default) 5'h01 ~ 5'h1F: De-bounce 1 ~ 31 crystal clks for de-composite

Address: 5D-0A DEVS_CAP_NUM_H Default: 00h

Bit	Mode	Function
7:4	R/W	Reserved to 0
3:0	R	The number of Capture window between DeVs high period: High Byte[11:8]

Address: 5D-0B DEVS_CAP_NUM_L Default: 00h



Bit	Mode	Function
7:0	R	The number of Capture window between DeVs high period: High Byte[7:0]

Address: 5D-0C~0F Reserved

Macro Vision

Address: 5D-10 MacroVision Control

Default: 00h

Bit	Mode	Function
7:4	R/W	Skip Line[3:0] Skip Lines after Vsync detected
3:2	R/W	Reserved to 0
1	R	MacroVision Detected (On-line monitor) When detected Macrovision occurred, this bit set to 1, else clear to 0.
0	R/W	MacroVision Enable 0: Disable (Default) 1: Enable

Address: 5D-11 MacroVision Start Line in Even Field

Bit	Mode	Function
7	R/W	Reserved to 0
6:0	R	MacroVision Start Line in Even Field [6:0]

Address: 5D-12 MacroVision End Line in Even Field

Bit	Mode	Function
7	R	Indicate the validity of Macro Vision Line in Even Field 0: not valid 1: valid
6:0	R	MacroVision End Line 0 [6:0]

Address: 5D-13 MacroVision Start Line in Odd Field

Bit	Mode	Function
7	R/W	Reserved to 0
6:0	R	MacroVision Start Line in Odd Field [6:0]

Address: 5D-14 MacroVision End Line in Odd Field

Bit	Mode	Function
7	R	Indicate the validity of Macro Vision Line in Odd Field 0: not valid 1: valid
6:0	R	MacroVision End Line in Odd Field [6:0]

Address: 5D-15 Macro Vision Detect De-bounce

Default: 00h

Bit	Mode	Function
7:5	R/W	Reserved to 0



4:0	R/W	H-sync for Macro-Vision Detection De-bounce Length 5'h00 ~ 5'h07: De-bounce 7 crystal clks for de-composite (Default) 5'h08 ~ 5'h1F: De-bounce 8 ~ 31 crystal clks for de-composite
-----	-----	---

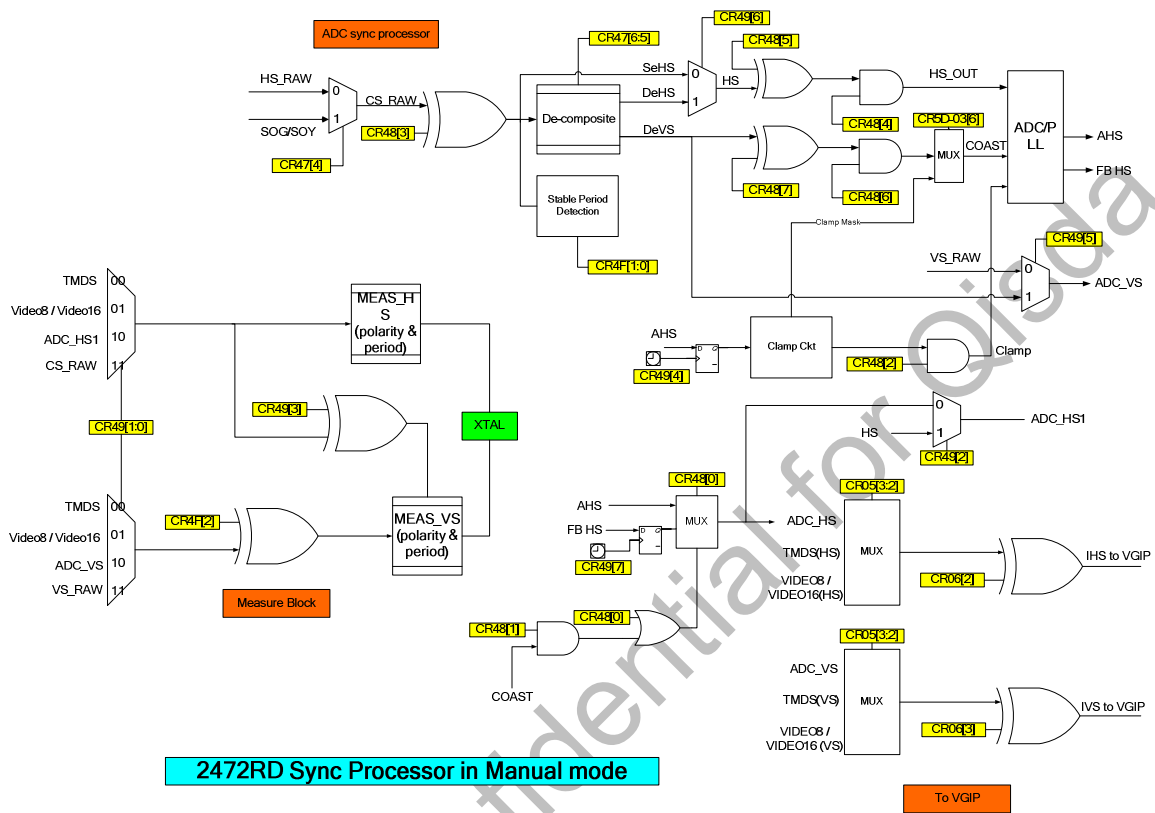
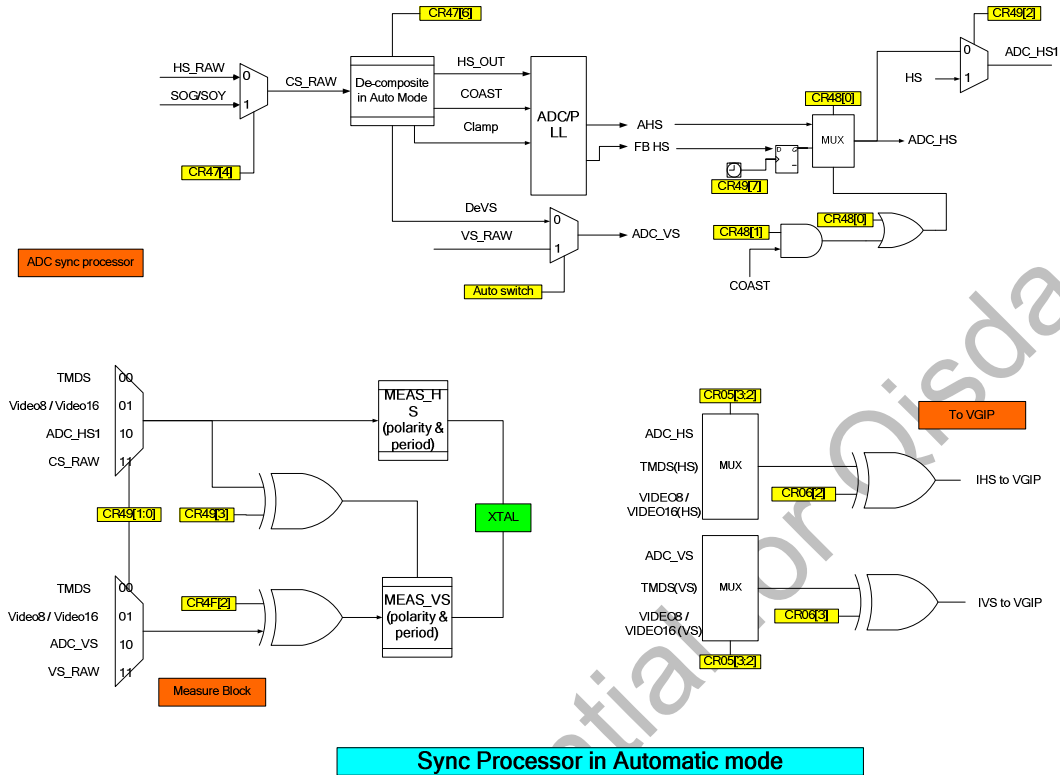


Figure 16: Sync processor



Sync Processor in Automatic mode

Sync processor in Automatic mode

Address 0x5E is reserved

Highlight window

Address: 60 Highlight Window Access Port control Default: 00h

Bit	Mode	Function
7	R/W	Enable highlight window access port
6	R/W	Enable highlight window
5:4	--	Reserved
3:0	R/W	Highlight-window port address

Address: 61-00 Highlight Window Horizontal Start

Bit	Mode	Function
7:4	--	Reserved
3:0	R/W	Highlight window horizontal start[11:8]

Address: 61-01 Highlight Window Horizontal Start

Bit	Mode	Function
7:0	R/W	Highlight window horizontal start[7:0]

**Address: 61-02 Highlight Window Horizontal End**

Bit	Mode	Function
7:4	--	Reserved
3:0	R/W	Highlight window horizontal end[11:8]

Address: 61-03 Highlight Window Horizontal End

Bit	Mode	Function
7:0	R/W	Highlight window horizontal end[7:0]

Address: 61-04 Highlight Window Vertical Start

Bit	Mode	Function
7:4	--	Reserved
3:0	R/W	Highlight window vertical start[11:8]

Address: 61-05 Highlight Window Vertical Start

Bit	Mode	Function
7:0	R/W	Highlight window vertical start[7:0]

Address: 61-06 Highlight Window Vertical End

Bit	Mode	Function
7:4	--	Reserved
3:0	R/W	Highlight window vertical end[11:8]

Address: 61-07 Highlight Window Vertical End

Bit	Mode	Function
7:0	R/W	Highlight window vertical end[7:0]

Highlight window horizontal/vertical reference point is DEN (display background start).

Address: 61-08 Highlight Window Border

Bit	Mode	Function
7:4	--	Reserved
3:0	R/W	Highlight window border width

Address: 61-09 Highlight Window Border Color

Bit	Mode	Function
7:6	--	Reserved
5:0	R/W	Highlight window border red color MSB 6bit (red color 2-bit LSB = 00)

Address: 61-0A Highlight Window Border Color

Bit	Mode	Function
7:6	--	Reserved
5:0	R/W	Highlight window border green color MSB 6bit (green color 2-bit LSB = 00)

Address: 61-0B Highlight Window Border Color

Bit	Mode	Function
-----	------	----------



7:6	--	Reserved
5:0	R/W	Highlight window border blue color MSB 6bit (blue color 2-bit LSB = 00)

Address: 61-0C**Highlight Window Control 0****Default : 00h**

Bit	Mode	Function																																																
7:6	R/W	<p>Contrast / brightness application control</p> <p>00: Set A used on full region 01: Set B used inside highlight window 10: Set A used outside highlight window 11: Set A used outside highlight window, and Set B used inside highlight window</p> <table border="1"> <thead> <tr> <th>Contrast (CR62[1])</th> <th>Application control</th> <th>Inside window</th> <th>Outside window</th> </tr> </thead> <tbody> <tr> <td>0</td> <td>X</td> <td>bypass</td> <td>bypass</td> </tr> <tr> <td>1</td> <td>CR61-0C[7:6]=00 CR60[6]=0</td> <td>Set A</td> <td>Set A</td> </tr> <tr> <td>1</td> <td>CR61-0C[7:6]=01 && CR60[6]=1</td> <td>Set B</td> <td>bypass</td> </tr> <tr> <td>1</td> <td>CR61-0C[7:6]=10 && CR60[6]=1</td> <td>bypass</td> <td>Set A</td> </tr> <tr> <td>1</td> <td>CR61-0C[7:6]=11 && CR60[6]=1</td> <td>Set B</td> <td>Set A</td> </tr> </tbody> </table> <table border="1"> <thead> <tr> <th>Brightness (CR62[0])</th> <th>Application control</th> <th>Inside window</th> <th>Outside window</th> </tr> </thead> <tbody> <tr> <td>0</td> <td>X</td> <td>bypass</td> <td>bypass</td> </tr> <tr> <td>1</td> <td>CR61-0C[7:6]=00 CR60[6]=0</td> <td>Set A</td> <td>Set A</td> </tr> <tr> <td>1</td> <td>CR61-0C[7:6]=01 && CR60[6]=1</td> <td>Set B</td> <td>bypass</td> </tr> <tr> <td>1</td> <td>CR61-0C[7:6]=10 && CR60[6]=1</td> <td>bypass</td> <td>Set A</td> </tr> <tr> <td>1</td> <td>CR61-0C[7:6]=11 && CR60[6]=1</td> <td>Set B</td> <td>Set A</td> </tr> </tbody> </table>	Contrast (CR62[1])	Application control	Inside window	Outside window	0	X	bypass	bypass	1	CR61-0C[7:6]=00 CR60[6]=0	Set A	Set A	1	CR61-0C[7:6]=01 && CR60[6]=1	Set B	bypass	1	CR61-0C[7:6]=10 && CR60[6]=1	bypass	Set A	1	CR61-0C[7:6]=11 && CR60[6]=1	Set B	Set A	Brightness (CR62[0])	Application control	Inside window	Outside window	0	X	bypass	bypass	1	CR61-0C[7:6]=00 CR60[6]=0	Set A	Set A	1	CR61-0C[7:6]=01 && CR60[6]=1	Set B	bypass	1	CR61-0C[7:6]=10 && CR60[6]=1	bypass	Set A	1	CR61-0C[7:6]=11 && CR60[6]=1	Set B	Set A
Contrast (CR62[1])	Application control	Inside window	Outside window																																															
0	X	bypass	bypass																																															
1	CR61-0C[7:6]=00 CR60[6]=0	Set A	Set A																																															
1	CR61-0C[7:6]=01 && CR60[6]=1	Set B	bypass																																															
1	CR61-0C[7:6]=10 && CR60[6]=1	bypass	Set A																																															
1	CR61-0C[7:6]=11 && CR60[6]=1	Set B	Set A																																															
Brightness (CR62[0])	Application control	Inside window	Outside window																																															
0	X	bypass	bypass																																															
1	CR61-0C[7:6]=00 CR60[6]=0	Set A	Set A																																															
1	CR61-0C[7:6]=01 && CR60[6]=1	Set B	bypass																																															
1	CR61-0C[7:6]=10 && CR60[6]=1	bypass	Set A																																															
1	CR61-0C[7:6]=11 && CR60[6]=1	Set B	Set A																																															
5:4	R/W	<p>Gamma application control</p> <p>00: gamma used on full region 01: gamma used inside window 10: gamma used outside window 11: reserved</p> <table border="1"> <thead> <tr> <th>Gamma (CR67[6])</th> <th>Application control</th> <th>Inside window</th> <th>Outside window</th> </tr> </thead> <tbody> <tr> <td>0</td> <td>X</td> <td>bypass</td> <td>bypass</td> </tr> <tr> <td>1</td> <td>CR61-0C[5:4]=00 CR60[6]=0</td> <td>Gamma</td> <td>Gamma</td> </tr> <tr> <td>1</td> <td>CR61-0C[5:4]=01 && CR60[6]=1</td> <td>Gamma</td> <td>bypass</td> </tr> <tr> <td>1</td> <td>CR61-0C[5:4]=10 && CR60[6]=1</td> <td>bypass</td> <td>Gamma</td> </tr> </tbody> </table>	Gamma (CR67[6])	Application control	Inside window	Outside window	0	X	bypass	bypass	1	CR61-0C[5:4]=00 CR60[6]=0	Gamma	Gamma	1	CR61-0C[5:4]=01 && CR60[6]=1	Gamma	bypass	1	CR61-0C[5:4]=10 && CR60[6]=1	bypass	Gamma																												
Gamma (CR67[6])	Application control	Inside window	Outside window																																															
0	X	bypass	bypass																																															
1	CR61-0C[5:4]=00 CR60[6]=0	Gamma	Gamma																																															
1	CR61-0C[5:4]=01 && CR60[6]=1	Gamma	bypass																																															
1	CR61-0C[5:4]=10 && CR60[6]=1	bypass	Gamma																																															



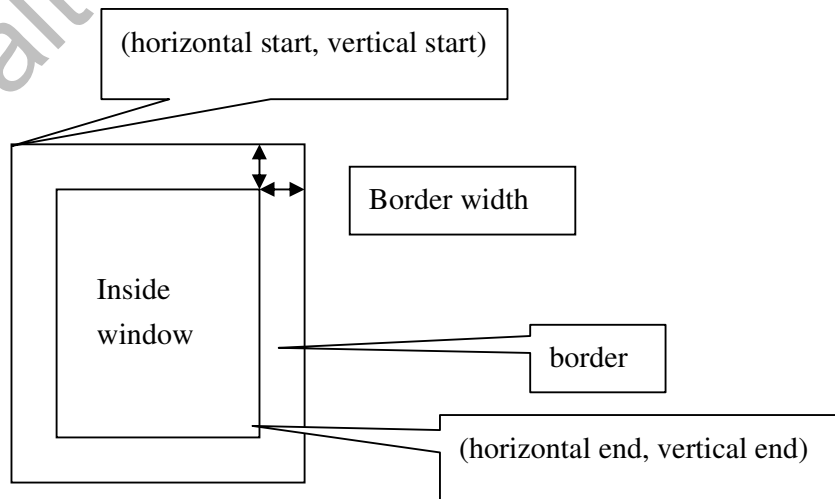
3:2	R/W	DCC/ICM application control 00: DCC/ICM used on full region 01: DCC/ICM used inside window 10: DCC/ICM used outside window 11: Reserved																																								
		<table border="1"> <thead> <tr> <th>ICM (CRE0[7])</th> <th>Application control</th> <th>Inside window</th> <th>Outside window</th> </tr> </thead> <tbody> <tr> <td>0</td> <td>X</td> <td>bypass</td> <td>bypass</td> </tr> <tr> <td>1</td> <td>CR61-0C[3:2]=00 CR60[6]=0</td> <td>ICM</td> <td>ICM</td> </tr> <tr> <td>1</td> <td>CR61-0C[3:2]=01 && CR60[6]=1</td> <td>ICM</td> <td>bypass</td> </tr> <tr> <td>1</td> <td>CR61-0C[3:2]=10 && CR60[6]=1</td> <td>bypass</td> <td>ICM</td> </tr> </tbody> </table> <table border="1"> <thead> <tr> <th>DCC (CRE4[7])</th> <th>Application control</th> <th>Inside window</th> <th>Outside window</th> </tr> </thead> <tbody> <tr> <td>0</td> <td>X</td> <td>bypass</td> <td>bypass</td> </tr> <tr> <td>1</td> <td>CR61-0C[3:2]=00 CR60[6]=0</td> <td>DCC</td> <td>DCC</td> </tr> <tr> <td>1</td> <td>CR61-0C[3:2]=01 && CR60[6]=1</td> <td>DCC</td> <td>bypass</td> </tr> <tr> <td>1</td> <td>CR61-0C[3:2]=10 && CR60[6]=1</td> <td>bypass</td> <td>DCC</td> </tr> </tbody> </table>	ICM (CRE0[7])	Application control	Inside window	Outside window	0	X	bypass	bypass	1	CR61-0C[3:2]=00 CR60[6]=0	ICM	ICM	1	CR61-0C[3:2]=01 && CR60[6]=1	ICM	bypass	1	CR61-0C[3:2]=10 && CR60[6]=1	bypass	ICM	DCC (CRE4[7])	Application control	Inside window	Outside window	0	X	bypass	bypass	1	CR61-0C[3:2]=00 CR60[6]=0	DCC	DCC	1	CR61-0C[3:2]=01 && CR60[6]=1	DCC	bypass	1	CR61-0C[3:2]=10 && CR60[6]=1	bypass	DCC
ICM (CRE0[7])	Application control	Inside window	Outside window																																							
0	X	bypass	bypass																																							
1	CR61-0C[3:2]=00 CR60[6]=0	ICM	ICM																																							
1	CR61-0C[3:2]=01 && CR60[6]=1	ICM	bypass																																							
1	CR61-0C[3:2]=10 && CR60[6]=1	bypass	ICM																																							
DCC (CRE4[7])	Application control	Inside window	Outside window																																							
0	X	bypass	bypass																																							
1	CR61-0C[3:2]=00 CR60[6]=0	DCC	DCC																																							
1	CR61-0C[3:2]=01 && CR60[6]=1	DCC	bypass																																							
1	CR61-0C[3:2]=10 && CR60[6]=1	bypass	DCC																																							
1:0	R/W	Peaking/Coring application control 00: Full region 01: Inside window 10: Outside window 11: Reserved																																								
		<table border="1"> <thead> <tr> <th>Peaking (CR9A[6])</th> <th>Application control</th> <th>Inside window</th> <th>Outside window</th> </tr> </thead> <tbody> <tr> <td>0</td> <td>X</td> <td>bypass</td> <td>bypass</td> </tr> <tr> <td>1</td> <td>CR61-0C[5:4]=00 CR60[6]=0</td> <td>Peaking</td> <td>Peaking</td> </tr> <tr> <td>1</td> <td>CR61-0C[5:4]=01 && CR60[6]=1</td> <td>Peaking</td> <td>bypass</td> </tr> <tr> <td>1</td> <td>CR61-0C[5:4]=10 && CR60[6]=1</td> <td>bypass</td> <td>Peaking</td> </tr> </tbody> </table>	Peaking (CR9A[6])	Application control	Inside window	Outside window	0	X	bypass	bypass	1	CR61-0C[5:4]=00 CR60[6]=0	Peaking	Peaking	1	CR61-0C[5:4]=01 && CR60[6]=1	Peaking	bypass	1	CR61-0C[5:4]=10 && CR60[6]=1	bypass	Peaking																				
Peaking (CR9A[6])	Application control	Inside window	Outside window																																							
0	X	bypass	bypass																																							
1	CR61-0C[5:4]=00 CR60[6]=0	Peaking	Peaking																																							
1	CR61-0C[5:4]=01 && CR60[6]=1	Peaking	bypass																																							
1	CR61-0C[5:4]=10 && CR60[6]=1	bypass	Peaking																																							

Address: 61-0D Highlight Window Control 1**Default : 00h**

Bit	Mode	Function
-----	------	----------



7:6	R/W	<p>sRGB application control</p> <p>00: sRGB used on full region</p> <p>01: sRGB used inside highlight window</p> <p>10: sRGB used outside highlight window</p> <p>11: Reserved</p> <table border="1"> <thead> <tr> <th>sRGB (CR62[2])</th> <th>Application control</th> <th>Inside window</th> <th>Outside window</th> </tr> </thead> <tbody> <tr> <td>0</td> <td>X</td> <td>bypass</td> <td>bypass</td> </tr> <tr> <td>1</td> <td>CR61-0D[7:6]=00 CR60[6]=0</td> <td>sRGB</td> <td>sRGB</td> </tr> <tr> <td>1</td> <td>CR61-0D[7:6]=01 && CR60[6]=1</td> <td>sRGB</td> <td>bypass</td> </tr> <tr> <td>1</td> <td>CR61-0D[7:6]=10 && CR60[6]=1</td> <td>bypass</td> <td>sRGB</td> </tr> </tbody> </table>	sRGB (CR62[2])	Application control	Inside window	Outside window	0	X	bypass	bypass	1	CR61-0D[7:6]=00 CR60[6]=0	sRGB	sRGB	1	CR61-0D[7:6]=01 && CR60[6]=1	sRGB	bypass	1	CR61-0D[7:6]=10 && CR60[6]=1	bypass	sRGB
sRGB (CR62[2])	Application control	Inside window	Outside window																			
0	X	bypass	bypass																			
1	CR61-0D[7:6]=00 CR60[6]=0	sRGB	sRGB																			
1	CR61-0D[7:6]=01 && CR60[6]=1	sRGB	bypass																			
1	CR61-0D[7:6]=10 && CR60[6]=1	bypass	sRGB																			
5:4	R/W	<p>DCR_APP_CTRL</p> <p>00: DCR used on full region.</p> <p>01: DCR used inside highlight window.</p> <p>10: DCR used outside highlight window.</p> <p>11: Reserved.</p> <table border="1"> <thead> <tr> <th>DCR(Page 7 CRD8[0])</th> <th>Application control</th> <th>Inside window</th> <th>Outside window</th> </tr> </thead> <tbody> <tr> <td>0</td> <td>X</td> <td>bypass</td> <td>bypass</td> </tr> <tr> <td>1</td> <td>CR61-0D[5:4]=00 CR60[6]=0</td> <td>DCR</td> <td>DCR</td> </tr> <tr> <td>1</td> <td>CR61-0D[5:4]=01 && CR60[6]=1</td> <td>DCR</td> <td>bypass</td> </tr> <tr> <td>1</td> <td>CR61-0D[5:4]=10 && CR60[6]=1</td> <td>bypass</td> <td>DCR</td> </tr> </tbody> </table>	DCR(Page 7 CRD8[0])	Application control	Inside window	Outside window	0	X	bypass	bypass	1	CR61-0D[5:4]=00 CR60[6]=0	DCR	DCR	1	CR61-0D[5:4]=01 && CR60[6]=1	DCR	bypass	1	CR61-0D[5:4]=10 && CR60[6]=1	bypass	DCR
DCR(Page 7 CRD8[0])	Application control	Inside window	Outside window																			
0	X	bypass	bypass																			
1	CR61-0D[5:4]=00 CR60[6]=0	DCR	DCR																			
1	CR61-0D[5:4]=01 && CR60[6]=1	DCR	bypass																			
1	CR61-0D[5:4]=10 && CR60[6]=1	bypass	DCR																			
3:0	--	Reserved to 0																				





Inside window left-top point = (horizontal start + border width, vertical start + border width)

Inside window right-bottom point = (horizontal end, vertical end)

Border window left-top point = (horizontal start, vertical start)

Border window right-bottom point = (horizontal end+ border width, vertical end + border width)

Border = border window – inside window

Outside window = screen – border window

Color Processor Control

Address: 62 **COLOR_CTRL (Color Control Register)** **Default: 00h**

Bit	Mode	Function
7	R/W	sRGB Coefficient Write Ready 0: Not ready or cleared after finished 1: Ready to write (wait for DVS to apply)
6	R/W	sRGB Precision 0: Normal (Default) 1: Multiplier Coefficient Bit Left Shift
5:3	R/W	sRGB Coefficient Write Enable 000: Disable 001: Write R Channel (RRH,RRL,RGH,RGL,RBH,RBL) (address reset to 0 when written) 010: Write G Channel (GRH,GBL,GGH,GGL,GBH,GBL) (address reset to 0 when written) 011: Write B Channel (BRH,BRL,BGH,BGL,BBH,BBL) (address reset to 0 when written) 100: R Offset 101: G Offset 110: B Offset
2	R/W	Enable sRGB Function 0: Disable (Default) 1: Enable
1	R/W	Enable Contrast Function: 0: disable the coefficient (Default) 1: enable the coefficient
0	R/W	Enable Brightness Function: 0: disable the coefficient (Default) 1: enable the coefficient

Address: 63 **SRGB_ACCESS_PORT**

Bit	Mode	Function
7:0	W	sRGB_COEF[7:0]



- For Multiplier coefficient: 9 bit: 1 bit sign, 8 bit fractional part
- For filling multiplier coefficient, the sequence should be SIGN bit (High Byte), 8 bit fractional (Low Byte)
- For Offset Coefficient: 1 sign, 5 integer, 2 bit fractional part
- sRGB output saturation to 1023 and Clamp to 0
- sRGB Output is 10 bit

$$\begin{bmatrix} R' \\ G' \\ B' \end{bmatrix} = \begin{bmatrix} 1+RR & RG & RB \\ GR & 1+GG & GB \\ BR & BG & 1+BB \end{bmatrix} \begin{bmatrix} R + Roffset \\ G + Goffset \\ B + Boffset \end{bmatrix}$$

Contrast/Brightness Coefficient**Address: 64** Contrast /Brightness Access Port Control**Default: 00h**

Bit	Mode	Function
7	R/W	Enable Contrast /Brightness access port
6:4	--	Reserved
3:0	R/W	Contrast /Brightness port address

Access data port continuously will get address auto increase.

Address: 65-00 BRI_RED_COE (Set A)

Bit	Mode	Function
7:0	R/W	Brightness Red Coefficient: Valid range: -128(00h) ~ 0(80h) ~ +127(FFh)

Address: 65-01 BRI_GRN_COE (Set A)

Bit	Mode	Function
7:0	R/W	Brightness Green Coefficient: Valid range: Valid range: -128(00h) ~ 0(80h) ~ +127(FFh)

Address: 65-02 BRI_BLU_COE (Set A)

Bit	Mode	Function
7:0	R/W	Brightness Blue Coefficient: Valid range: -128(00h) ~ 0(80h) ~ +127(FFh)

Address: 65-03 CTS_RED_COE (Set A)

Bit	Mode	Function
7:0	R/W	Contrast Red Coefficient: Valid range: 0(00h) ~ 1(80h) ~ 2(FFh)

Address: 65-04 CTS_GRN_COE (Set A)

Bit	Mode	Function
7:0	R/W	Contrast Green Coefficient: Valid range: 0(00h) ~ 1(80h) ~ 2(FFh)

Address: 65-05 CTS_BLU_COE (Set A)



Bit	Mode	Function
7:0	R/W	Contrast Blue Coefficient: Valid range: 0(00h) ~ 1(80h) ~ 2(FFh)

Address: 65-06 BRI_RED_COE (Set B)

Bit	Mode	Function
7:0	R/W	Brightness Red Coefficient: Valid range: -128(00h) ~ 0(80h) ~ +127(FFh)

Address: 65-07 BRI_GRN_COE (Set B)

Bit	Mode	Function
7:0	R/W	Brightness Green Coefficient: Valid range: Valid range: -128(00h) ~ 0(80h) ~ +127(FFh)

Address: 65-08 BRI_BLU_COE (Set B)

Bit	Mode	Function
7:0	R/W	Brightness Blue Coefficient: Valid range: -128(00h) ~ 0(80h) ~ +127(FFh)

Address: 65-09 CTS_RED_COE (Set B)

Bit	Mode	Function
7:0	R/W	Contrast Red Coefficient: Valid range: 0(00h) ~ 1(80h) ~ 2(FFh)

Address: 65-0A CTS_GRN_COE (Set B)

Bit	Mode	Function
7:0	R/W	Contrast Green Coefficient: Valid range: 0(00h) ~ 1(80h) ~ 2(FFh)

Address: 65-0B CTS_BLU_COE (Set B)

Bit	Mode	Function
7:0	R/W	Contrast Blue Coefficient: Valid range: 0(00h) ~ 1(80h) ~ 2(FFh)

When highlight window is disable, coefficient set A is used.

Gamma Control**Address: 66 GAMMA_PORT**

Bit	Mode	Function
7:0	R/W	Access port for gamma correction table

- The Gamma Table written to this port should follow the sequences as expressed below:
{2'b0, g0[9:4]}, {g0[3:0]}, 2'b0, g4[9:8]}, {g4[7:0]}, <- addr = 0



{2'b0, g8[9:4]}, {g8[3:0]}, 2'b0, g12[9:8]}, {g12[7:0]}, <- addr = 1

....

{2'b0, g1016[9:4]}, {g1016[3:0]}, 2'b0, g1020[9:8]}, {g1020[7:0]}, <- addr = 127

{2'b0, g1023[9:4]}, {g1023[3:0]}, 4'b0}, {8'b0} <- addr = 128

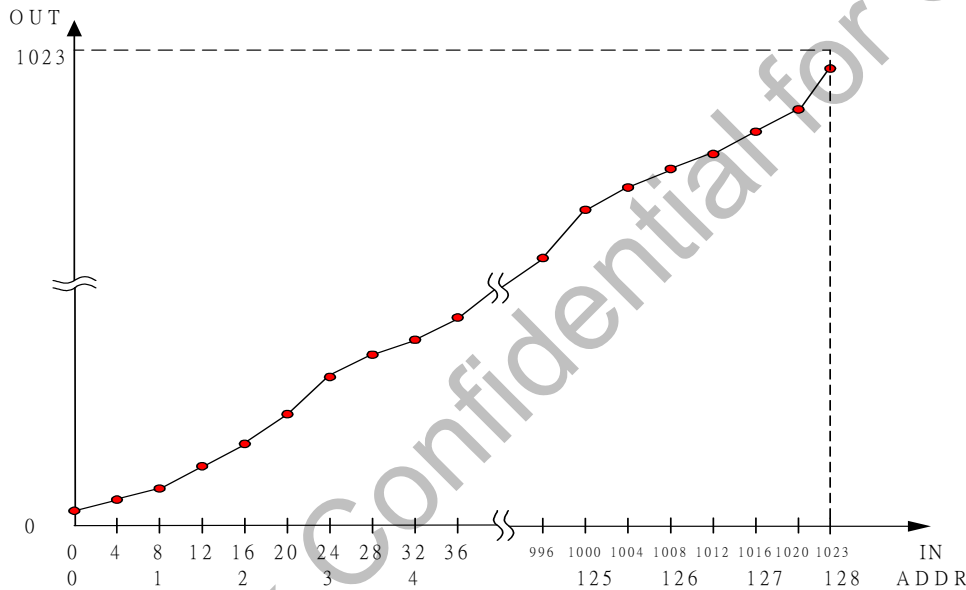
- When CR67[3] is set to 1, we can directly specify the initial address of Gamma Table in this port.
- When CR67[3] is set to 1, the value of this port is the address of Gamma Table that you are going to R/W.
- When CR67[3] is set to 0, we can read the value of Gamma Table in the following order.

{2'b0, g_4*2n [9:4]}, {g_4*2n [3:0]}, 2'b0, g4*(2n+1)[9:8]}, {g4*(2n+1)[7:0]},

{2'b0, g_4*(2n+2)[9:4]}, {g_4*(2n+2) [3:0]}, 2'b0, g4*(2n+3) [9:8]}, {g4*(2n+3)[7:0]},

....

{2'b0, g_1023[9:4]}, {g_1023*(2n+2) [3:0]}, 4'b0}, {8'b0}



Address: 67 GAMMA_CTRL Default: 00h

Bit	Mode	Function
7	R/W	Enable Access Channels for Gamma Correction Coefficient: 0: disable these channels (Default) 1: enable these channels
6	R/W	Gamma table enable 0: by pass (Default) 1: enable
5:4	R/W	Color Channel of Gamma Table 00: Red Channel (Default) 01: Green Channel 10: Blue Channel 11: Red/Green/Blue Channel (R/G/B Gamma are the same)
3	R/W	Gamma Port Address Access Enable



		0: Normal function. (Default) 1: Gamma Port is used as specifying initial address.
2:0	--	Reserved to 0

- Access Gamma_Access register will reset GAMMA_PORT index.

Address: 68		GAMMA_BIST (Color Control Register)	Default: 00h
Bit	Mode	Function	
7	R/W	Test_mode 0: Disable, dither_out = dither_result[9:2]; // truncate to integer number (Default) 1: Enable, dither_out = dither_result[7:0]; // propagate decimal part for test	
6	R/W	sRGB multiplier coefficient precision 0: 1-bit Shift-left (Default) 1: 2-bit Shift-left	
5:2	--	Reserved to 0	
1	R/W	Gamma BIST_Progress 0: BIST is done (Default) 1: BIST is running	
0	R	Gamma BIST Test Result(It will go low first during BIST period) 0: SRAM Fail 1: SRAM OK	

Dithering Control (For Display Domain)

Register:: DITHERING_DATA_ACCESS					0x69
Name	Bits	Read/Write	Reset State	Comments	Config
DITHERING_DATA_ACCESS	7:0	W	0	Refer to following description	

A. When CR6A[7:6] is 2'b01, dithering sequence table access is enabled:

- There are three set of dithering sequence table, each table contains 32 elements, s0, s1, ..., s31. Each element has 2 bit to index one of 4 dithering table.
- Input data sequence is {sr3,sr2,sr1,sr0}, {sr7,sr6,sr5,sr4}, ..., {sr31,sr30,sr29,sr28}, {sg3,sg2,sg1,sg0}, ... ,



{sg31,sg30,sg29,sg28}, {sb3,sb2,sb1,sb0}, ... , {sb31,sb30,sb29,sb28} for red, green and blue channel.

- $R + (2R+1) * C$ choose sequence element, where R is Row Number / 2, and C is Column Number / 2.

B. When CR6A[7:6] is 2'b10, dithering table access is enabled:

- For dithering table access, the red, green, blue each channel has 4 dithering table, each table is 2x2 elements, and one element has 4 bit for 10B/8B, the elements should fill 0 to 3, for 10B/6B, the elements should fill 0 to 15.
- Input data sequence is [Dr00 Dr01],[Dr02,Dr03], ... , [Dr30,Dr31],[Dr32,Dr33],
[Dg00,Dg01],[Dg02,Dg03], ... , [Dg30,Dg31],[Dg32,Dg33], [Db00,Db01],[Db02,Db03], ... ,
[Db30,Db31],[Db32,Db33].

D00	D01
D02	D03

D10	D11
D12	D13

D20	D21
D22	D23

D30	D31
D32	D33

C. When CR6A[7:6] is 2'b11, temporal offset access is enabled:

- There are 16 element for temporal offset table, t0, t1, ... , t15.
Each element has 2 bit to index one of 4 temporal offset.
- Input data sequence is {t3,t2,t1,t0}, {t7,t6,t5,t4}, {t11,t10,t9,t8}, {t15,t14,t13,t12}.

Register:: DITHERING_CTRL1				0x6A	
Name	Bits	Read/Write	Reset State	Comments	Config
Dither_Access	7:6	R/W	0	Enable Access Control 00: disable (Default) 01: enable access dithering sequence table 10: enable access dithering table 11: enable access temporal offset	
Dither_en	5	R/W	0	Enable Dithering Function 0: disable (Default) 1: enable	
Dither_temp	4	R/W	0	Temporal Dithering 0: Disable (Default) 1: Enable	
Dither_table	3	R/W	0	Dithering Table Value Sign 0: unsigned 1: signed (2's complement)	
Dither_mode	2	R/W	0	Dithering Mode 0: New (Default) 1: Old	
Dither_V_Fram_M	1	R/W	0	Vertical Frame Modulation	



				0: Disable (Default) 1: Enable	
Dither_VH_Fram_M	0	R/W	0	Horizontal Frame Modulation 0: Disable (Default) 1: Enable	

Register:: DITHERING_CTRL2 0x6B

Name	Bits	Read/Write	Reset State	Comments	Config
Reserved	7:1	R/W	0	Reserved	
Dither_Table_Ref	0	R/W	1	Table reference 0: By VS/HS 1: By DEN (Default)	

Overlay/Color Palette/Background Color Control

Address: 6C OVERLAY_CTRL (Overlay Display Control Register) Default: 00h

Bit	Mode	Function
7:6	--	Reserved to 0
5	R/W	Background color access enable 0: Disable(Reset CR6D Write Pointer to R) 1: Enable
4:2	R/W	Alpha blending level (Also enable OSD frame control register 0x003 byte 1[3:2]) 000: Disable (Default) 001 ~111: 1/8~ 7/8
1	R/W	Overlay Sampling Mode Select: 0: single pixel per clock (Default) 1: dual pixels per clock (The OSD will be zoomed 2X in horizontal scan line)
0	R/W	Overlay Port Enable: 0: Disable (Default) 1: Enable Turn off <u>overlay enable</u> and <u>switch to background</u> simultaneously when auto switch to background.

Address: 6D BGDND_COLOR_CTRL Default: 00h

Bit	Mode	Function
7:0	R/W	Background color RGB 8-bit value[7:0]

- There are 3 bytes color select of background R, G, B, once we enable Background color access channel(CR6C[5]) and the continuous writing sequence is R/G/B

**Address: 6E** OVERLAY_LUT_ADDR (Overlay LUT Address) **Default: 00h**

Bit	Mode	Function
7	R/W	Enable Overlay Color Plate Access: 0: Disable (Default) 1: Enable
6	R/W	Reserved to 0
5:0	R/W	Overlay 16x24 Look-Up-Table Write Address [5:0]

- Auto-increment while every accessing “Overlay LUT Access Port”.

Address: 6F COLOR_LUT_PORT (LUT Access Port)

Bit	Mode	Function
7:0	W	Color Palette 16x24 Look-Up-Table access port [7:0]

- Using this port to access overlay color plate which addressing by the above registers.
- The writing sequence into LUT is [R0, G0, B0, R1, G1, B1, ... R15, G15, and B15] and the address counter will be automatic increment and circular from 0 to 47.

Image Auto Function

Address: 70 H_BOUNDARY_H

Bit	Mode	Function
7:4	R/W	Horizontal Boundary Start: High Byte [11:8]
3:0	R/W	Horizontal Boundary End: High Byte [11:8]

Address: 71 H_BOUNDARY_STA_L

Bit	Mode	Function
7:0	R/W	Horizontal Boundary Start: Low Byte [7:0]

Address: 72 H_BOUNDARY_END_L

Bit	Mode	Function
7:0	R/W	Horizontal Boundary End: Low Byte [7:0]

Address: 73 V_BOUNDARY_H

Bit	Mode	Function
7:4	R/W	Vertical Boundary Start: High Byte [11:8]
3:0	R/W	Vertical Boundary End: High Byte [11:8]

Vertical boundary search should be limited by Vertical boundary start.

Address: 74 V_BOUNDARY_STA_L

Bit	Mode	Function
7:0	R/W	Vertical Boundary Start: Low Byte [7:0]



Address: 75 **V_BOUNDARY_END_L**

Bit	Mode	Function
7:0	R/W	Vertical Boundary End: Low Byte [7:0]

Address: 76 **RED_NOISE_MARGIN (Red Noise Margin Register)**

Bit	Mode	Function
7:2	R/W	Red pixel noise margin setting register
1:0	--	Reserved to 0

Address: 77 **GRN_NOISE_MARGIN (Green Noise Margin Register)**

Bit	Mode	Function
7:2	R/W	Green pixel noise margin setting register
1:0	--	Reserved to 0

Address: 78 **BLU_NOISE_MARGIN (Blue Noise Margin Register)**

Bit	Mode	Function
7:2	R/W	Blue pixel noise margin setting register
1:0	--	Reserved to 0

Address: 79 **DIFF_THRESHOLD**

Bit	Mode	Function
7:0	R/W	Difference Threshold (Threshold for DIFF no matter CR7D[2] = 0 or 1)

Address: 7A **AUTO_ADJ_CTRL0** **Default: 00h**

Bit	Mode	Function
7	R/W	Field_Select_Enable: Auto-Function only active when Even or Odd field. 0: Disable (Default) 1: Enable
6	R/W	Field_Select: Select Even or Odd field. Active when Field_Select_Enable . 0: Active when ODD signal is "0" (Default) 1: Active when ODD signal is "1"
5	R/W	Low Pass Filter (121-LPF) 0: Disable (Default) 1: Enable
4	R/W	Auto Function Acceleration : 0: Disable (Default) 1: Enable For auto-balance (CR7D[1]=0), this function must be disabled.
3:2	R/W	Vertical boundary search: 00: 1 pixel over threshold (Default) 01: 2 pixel over threshold



		10: 4 pixel over threshold 11: 8 pixel over threshold
1:0	R/W	Color Source Select for Detection: 00: B color (Default) 01: G color 10: R color 11: ALL (the result will be divided by 2)

Address: 7B**HW_AUTO_PHASE_CTRL0****Default: 00h**

Bit	Mode	Function
7:3	R/W	Number of Auto-Phase Step (Valut+1) (How many times (steps reference CR7B[2:0]) jumps when using Hardware Auto)
2:0	R/W	Hardware Auto Phase Step 000: Step =1 (Default) 001 Step =2 010: Step =4 011: Step =8 1xx: Step =16

Address: 7C**HW_AUTO_PHASE_CTRL1****Default: 00h**

Bit	Mode	Function
7	R/W	Hardware Auto Phase Select Trigger 0: IVS 1: Vertical Boundary End
6:0	R/W	Initial phase of Auto-Phase (0~127)

Address: 7D**AUTO_ADJ_CTRL1****Default: 00h**

Bit	Mode	Function
7	R/W	Measure Digital Enable Info when boundary search active 0: Normal Boundary Search (Default) 1: Digital Enable Info Boundary Search.(Digital mode)
6	R/W	Hardware / Software Auto Phase Switch 0: Software (Default) 1: Hardware
5	R/W	Color Max or Min Measured Select: 0: MIN color measured (Only when Balance-Mode, result must be complemented) (Default) 1: MAX color measured
4	R/W	Accumulation or Compare Mode 0: Compare Mode (Default) 1: Accumulation Mode



3	R/W	Mode Selection For SOD 0: SOD Edge Mode (Default) 1: SOD Edge + Pulse Mode
2	R/W	Type Selection For DIFF 0: DIFF 1: (DIFF/4) * (DIFF/4) Total result for each color is divided by 8 if this bit is 1.
1	R/W	Function (Phase/Balance) Selection 0: Auto-Balance (Default) 1: Auto-Phase
0	R/W	Start Auto-Function Tracking Function: 0: stop or finished (Default) 1: start

Control Table/ Function	Sub-Function	CR7D.6	CR7D.5	CR7D.4	CR7D.3	CR7D.1	CR7C
Auto-Balance	Max pixel	X	1	0	0	0	X
	Min pixel	X	0	0	0	0	X
Auto-Phase Type	Mode1	1	1	1	0	1	Th
	Mode2	1	1	1	1	1	Th
Accumulation	All pixel	1	1	1	0	0	0

Table 1 Auto-Tracking Control Table

Address: 7E VER_START_END_H (Active region vertical start Register)

Bit	Mode	Function
7:4	R	Active region vertical START measurement result: bit[11:8]
3:0	R	Active region vertical END measurement result: bit[11:8]

Address: 7F VER_START_L (Active region vertical start Register)

Bit	Mode	Function
7:0	R	Active region vertical start measurement result: bit[7:0]

Address: 80 VER_END_L (Active region vertical end Register)

Bit	Mode	Function
7:0	R	Active region vertical end measurement result: bit[7:0]

Address: 81 H_START_END_H (Active region horizontal start Register)

Bit	Mode	Function
7:4	R	Active region horizontal START measurement result: bit [11:8]
3:0	R	Active region horizontal END measurement result: bit[11:8]

Address: 82 H_START_L (Active region horizontal start Register)



Bit	Mode	Function
7:0	R	Active region horizontal start measurement result: bit[7:0]

Address: 83 H_END_L (Active region horizontal end Register)

Bit	Mode	Function
7:0	R	Active region horizontal end measurement result: bit[7:0]

Address: 84 AUTO_PHASE_3 (Auto phase result byte3 register)

Bit	Mode	Function
7:0	R	Auto phase measurement result: bit[31:24]

Address: 85 AUTO_PHASE_2 (Auto phase result byte2 register)

Bit	Mode	Function
7:0	R	Auto phase measurement result: bit[23:16]

Address: 86 AUTO_PHASE_1 (Auto phase result byte1 register)

Bit	Mode	Function
7:0	R	Auto phase measurement result: bit[15:8]

Address: 87 AUTO_PHASE_0 (Auto phase result byte0 register)

Bit	Mode	Function
7:0	R	Auto phase measurement result: bit[7:0] The measured value of R or G or B color max or min. (Auto-Balance)

When input is 2560x1600, there will be three case for Register 0x84~0x87:

- a. Only SOD + Pulse for RGB
 $2560 \times 1600 \times 255 \times 2 \times 3 = 6266880000$ need 33 bits to indicate.
CR 84~87 will give bit [32:1].
- b. $(SOD/4)^2 / 8 +$ Pulse for RGB
 $2560 \times 1600 \times (255/4)^2 / 8 \times 2 \times 3 = 12484800000$ need 34 bits to indicate.
CR 84~87 will give bit [33:2]
- c. $(SOD/4)^2 / 8 +$ Pulse only for one color
 $2560 \times 1600 \times (255/4)^2 / 8 \times 2 = 4161600000$ need 32 bits to indicate.
CR 84~87 will give bit [31:0]

Dithering Control (For Input Domain)

Register:: DITHERING_DATA_ACCESS					0x88
Name	Bits	Read/	Reset	Comments	Config



		Write	State	
DITHERING_DATA_ACCESS	7:0	W	0	Refer to following description

A. When CR88[7:6] is 2'b01, dithering sequence table access is enabled:

- There are three set of dithering sequence table, each table contains 32 elements, s0, s1, ... , s31.
Each element has 2 bit to index one of 4 dithering table.
- Input data sequence is {sr3,sr2,sr1,sr0}, {sr7,sr6,sr5,sr4}, ... , {sr31,sr30,sr29,sr28}, {sg3,sg2,sg1,sg0}, ... , {sg31,sg30,sg29,sg28}, {sb3,sb2,sb1,sb0}, ... , {sb31,sb30,sb29,sb28} for red, green and blue channel.
- $R + (2R+1) * C$ choose sequence element, where R is Row Number / 2, and C is Column Number / 2.

B. When CR88[7:6] is 2'b10, dithering table access is enabled:

- For dithering table access, the red, green, blue each channel has 4 dithering table, each table is 2x2 elements, and one element has 4 bit for 10B/8B, the elements should fill 0 to 3, for 10B/6B, the elements should fill 0 to 15.
- Input data sequence is [Dr00 Dr01],[Dr02,Dr03], ... , [Dr30,Dr31],[Dr32,Dr33], [Dg00,Dg01],[Dg02,Dg03], ... , [Dg30,Dg31],[Dg32,Dg33], [Db00,Db01],[Db02,Db03], ... , [Db30,Db31],[Db32,Db33].

D00	D01
D02	D03

D10	D11
D12	D13

D20	D21
D22	D23

D30	D31
D32	D33

C. When CR88[7:6] is 2'b11, temporal offset access is enabled:

- There are 16 element for temporal offset table, t0, t1, ... , t15.
Each element has 2 bit to index one of 4 temporal offset.
- Input data sequence is {t3,t2,t1,t0}, {t7,t6,t5,t4}, {t11,t10,t9,t8}, {t15,t14,t13,t12}.

Register:: DITHERING_CTRL1				0x89	
Name	Bits	Read/Write	Reset State	Comments	Config
Dither_Access	7:6	R/W	0	Enable Access Control 00: disable (Default) 01: enable access dithering sequence table 10: enable access dithering table 11: enable access temporal offset	
Dither_en	5	R/W	0	Enable Dithering Function 0: disable (Default) 1: enable	
Dither_temp	4	R/W	0	Temporal Dithering 0: Disable (Default) 1: Enable	
Dither_table	3	R/W	0	Dithering Table Value Sign	



				0: unsigned 1: signed (2's complement)	
Dither_mode	2	R/W	0	Dithering Mode 0: New (Default) 1: Old	
Dither_V_Fram_M	1	R/W	0	Vertical Frame Modulation 0: Disable (Default) 1: Enable	
Dither_VH_Fram_M	0	R/W	0	Horizontal Frame Modulation 0: Disable (Default) 1: Enable	

Address 0x8A are reserved

Embedded Timing Controller

Address: 8B TCON_ADDR_PORT **Default: 00h**

Bit	Mode	Function
7:0	R/W	Address port for embedded TCON access

Address: 8C TCON_DATA_PORT **Default: 00h**

Bit	Mode	Function
7:0	R/W	Data port for embedded TCON access

Address: 8C-00 TC_CTRL0 (Timing Controller control register1) **Default: 01h**

Bit	Mode	Function
7	R/W	Enable Timing Controller Function (Global) 0: Disable (Default) 1: Enable All TCON pins will be initialized when enabled and goes low when disabled.
6	R/W	TCON [n] Toggle Function Reset 0: Not reset (Default) 1: reset by DVS
5	R/W	Inactive Period Data Controlled by internal TCON [13] 0: DEN (Default) 1: TCON [13]
4	R/W	TCON_HS compensation 0: Real TCON_HS = TCON_HS-4 1: Real TCON_HS = TCON_HS-27



		If setting TCON_HS > DH_Total, then setting TCON_HS must subtract DH_Total.
3	---	Reserve to 0
2	---	Reserve to 0
1:0	R/W	DISP_TYPE 01: LVDS (Default) others are reserved

Address: 8C-01 TC_CTRL1 (Timing Controller control register1) Default: 00h

Bit	Mode	Function
7:0	R/W	Reserved to 0

Address: 8C-02 Pixel Threshold MSB Default: 00h

Bit	Mode	Function
7	R/W	2-Line Sum of Difference Threshold 1 Value: bit [8], ie:TH1 (also refer to CR8C-03)
6	R/W	2-Line Sum of Difference Threshold 2 Value: bit [8], ie:TH2 (also refer to CR8C-04)
5:0	R/W	Over Difference Line Threshold Value: bit [9:4] Notes: Bit[3:0] are zeros

Address: 8C-03 Pixel Threshold High Value for Smart Polarity (TH1) Default: 00h

Bit	Mode	Function
7:0	R/W	2 line Sum of Difference Threshold 1 Value: bit [7:0], ie:TH1 (Also refer to CR8C-02[7])

Address: 8C-04 Pixel Threshold Low Value for Smart Polarity (TH2) Default: 00h

Bit	Mode	Function
7:0	R/W	2 line Sum of Difference Threshold 2 Value: bit [7:0], ie:TH2 (Also refer to CR8C-02[6])

Address: 8C-05 Line Threshold Value for Smart Polarity Default: 00h

Bit	Mode	Function
7	R/W	Measure Dot Pattern over Threshold 1: Run. Auto: always measure (Reference to CR8C-05[5]) Manual: start to measure, clear after finish 0: Stop
6	R	Dot Pattern Sum of Difference Measure Result 1: Over threshold 0: Under threshold
5	R/W	Anti-Flicker Auto-Measure Control 1: Auto 0: Manual



4:1	R/W	Reserved
0	R/W	Anti-Flicker Measure Mode 0: Dot-Based (Original) 1: Pixel-Based

Over Difference Line Threshold Value shall not exceed 0x190.

Address: 8C-06~07 Reserved to 0

TCON Horizontal/Vertical Timing Setting

Address: 8C-08 TCON [0]_VS_LSB (TCON [0] Vertical Start LSB Register)

Bit	Mode	Function
7:0	W	Line number [7:0] at which TCON control generation begins

Address: 8C-09 TCON [0]_VS_MSB (TCON [0] Vertical Start/End MSB Register)

Bit	Mode	Function
7:4	W	Line number [11:8] at which TCON control generation ends
3:0	W	Line number [11:8] at which TCON control generation begins

Address: 8C-0A TCON [0]_VE_LSB (TCON [0] Vertical End LSB Register)

Bit	Mode	Function
7:0	W	Line number [7:0] at which TCON control generation ends

Address: 8C-0B TCON [0]_HS_LSB (TCON [0] Horizontal Start LSB Register)

Bit	Mode	Function
7:0	W	Pixel count [7:0] at which TCON goes active

Address: 8C-0C TCON [0]_HS_MSB (TCON [0] Horizontal Start/End MSB Register)

Bit	Mode	Function
7:4	W	Pixel count [11:8] at which TCON goes inactive
3:0	W	Pixel count [11:8] at which TCON goes active

To be triggered on rising edge of the DCLK

Address: 8C-0D TCON [0]_HE_LSB (TCON [0] Horizontal End LSB Register)

Bit	Mode	Function
7:0	W	Pixel count [7:0] at which TCON goes inactive

If the register number is large than display format, the horizontal component is always on.

Real TCON_HS = TCON_HS-4, Real TCON_HE = TCON_HE-4

Address: 8C-0E TCON [0]_CTRL (TCON [0] Control Register) **Default: 00h**

Bit	Mode	Function
7	R/W	TCON [n] Enable (Local) 0: Disable (TCON [n] output clamp to '0') (Default) 1: Enable



6	R/W	Polarity Control 0: Normal output (Default) 1: Inverted output
5:4	--	Reserved to 0
3	R/W	Toggle Circuit Enable/Disable 0: Normal TCON output (Default) 1: Toggle Circuit enable When using toggle circuit enable mode, the TCON[n] will be 1 clock earlier than TCON[n-1] and then toggling together, finally output will be 1 clock delay comparing to toggling result.
2:0	R/W	TCON [13:10] & TCON [7:4] (TCON Combination Select) TCON [13] has inactive data controller function. TCON [13]~[10] has dot masking function TCON [7] has flicking reduce function. 000: Normal TCON output (Default) 001: Select TCON [n] “AND” with TCON [n-1] 010: Select TCON [n] “OR” with TCON [n-1] 011: Select TCON [n] “XOR” with TCON [n-1] 100: Select TCON [n-1] rising edge as toggle trigger signal (when toggle enable) 101: Select TCON [n-1] rising edge as toggle trigger signal, then “AND” (when toggle enable) 110: Select TCON [n-1] rising edge as toggle trigger signal, then “OR” (when toggle enable) 111: Select TCON [n] and TCON [n-1] on alternating frames. ----- TCON [9:8] (TCON Combination Select) 000: Normal TCON output 001: Select TCON [n] “AND” with TCON [n-1] 010: Select TCON [n] “OR” with TCON [n-1] 011: Select TCON [n] “XOR” with TCON [n-1] 100: Select TCON [n-1] rising edge as toggle trigger signal (when toggle enable) 101: Select TCON [n-1] rising edge as toggle trigger signal, then “AND” (when toggle enable) 110: Select TCON [n-1] rising edge as toggle trigger signal, then “OR” (when toggle enable) 111: Select TCON [n] and TCON [n-1] reference ODD signal as alternating frames. ----- TCON [3] (TCON Combination Select) 000: Normal TCON output 001: Select TCON [3] “AND” with TCON [2] 010: Select TCON [3] “OR” with TCON [2] 011: Select TCON [3] “XOR” with TCON [2] 100: Select TCON [2] rising edge as toggle trigger signal (when toggle enable)



	<p>101: Select TCON [2] rising edge as toggle trigger signal, then “AND” (when toggle enable)</p> <p>110: Select TCON [2] rising edge as toggle trigger signal, then “OR” (when toggle enable)</p> <p>111: Select reset(ODD=0) or set(ODD=1) TCON [3] by DVS, when toggle function enable</p> <p>-----</p> <p>TCON [2] (Clock Toggle Function)//toggle function is inactive</p> <p>00x: Normal TCON output</p> <p>010: Select DCLK/2 when TCON [2] is “0”</p> <p>011: Select DCLK/2 when TCON [2] is “1”</p> <p>100: Select DCLK/4 when TCON [2] is “0”</p> <p>101: Select DCLK/4 when TCON [2] is “1”</p> <p>110: Select DCLK/8 when TCON [2] is “0”</p> <p>111: Select DCLK/8 when TCON [2] is “1”</p> <p>-----</p> <p>TCON [1]</p> <p>xx0: Normal TCON output</p> <p>xx1: Reverse-Control Signal output</p> <p>-----</p> <p>TCON [0]</p> <p>00x: Normal TCON output</p> <p>010: EVEN “REV” 18/24-bit function (“REV0” on TCON [0]) ODD “REV” 18/24-bit function (“REV1” on TCON [1])</p> <p>011: ALL “REV” 36/48-bit function (“REV” on TCON [0], can also on TCON [1])</p> <p>100: EVEN data Output Inversion Controlled by TCON [0] is “0” ODD data Output Inversion Controlled by TCON [1] is “0”</p> <p>101: EVEN data Output Inversion Controlled by TCON [0] is “1” ODD data Output Inversion Controlled by TCON [1] is “1”</p>
--	--

Dot Masking**Address: 8C-5F/67/6F/77 TC_DOT_MASKING_CTRL****Default: 00h**

Bit	Mode	Function
7:3	R/W	Reserved to 0
2	R/W	Red Dot Masking Enable 0: Disable (Default) 1: Enable
1	R/W	Green Dot Masking Enable 0: Disable (Default) 1: Enable



0	R/W	Blue Dot Masking Enable 0: Disable (Default) 1: Enable
---	-----	---

When applying dot masking, the timing setting for TCON will be

Real TCON_Mask_STA = TCON_STA+2

Real TCON_Mask_END = TCON_END +2

TCON [0] ~ TCON [13] Control Registers Address Map

Address	Data(# bits)	Default
0A,09,08	TCON [0]_VS_REG (11)	
0D,0C,0B	TCON [0]_HS_REG (11)	
0E	TCON [0]_CTRL_REG	00
0F	Reserved	
12,11,10	TCON [1]_VS_REG (11)	
15,14,13	TCON [1]_HS_REG (11)	
16	TCON [1]_CTRL_REG	00
17	Reserved	
1A,19,18	TCON [2]_VS_REG (11)	
1D,1C,1B	TCON [2]_HS_REG (11)	
1E	TCON [2]_CTRL_REG	00
1F	Reserved	
22,21,20	TCON [3]_VS_REG (11)	
25,24,23	TCON [3]_HS_REG (11)	
26	TCON [3]_CTRL_REG	00
27	Reserved	
2A,29,28	TCON [4]_VS_REG (11)	
2D,2C,2B	TCON [4]_HS_REG (11)	
2E	TCON [4]_CTRL_REG	00
2F	Reserved	
32,31,30	TCON [5]_VS_REG (11)	
35,34,33	TCON [5]_HS_REG (11)	
36	TCON [5]_CTRL_REG	00



37	Reserved	
3A,39,38	TCON [6]_VS_REG (11)	
3D,3C,3B	TCON [6]_HS_REG (11)	
3E	TCON [6]_CTRL_REG	00
3F	Reserved	
42,41,40	TCON [7]_VS_REG (11)	
45,44,43	TCON [7]_HS_REG (11)	
46	TCON [7]_CTRL_REG	00
47	Reserved	
4A,49,48	TCON [8]_VS_REG (11)	
4D,4C,4B	TCON [8]_HS_REG (11)	
4E	TCON [8]_CTRL_REG	00
4F	Reserved	
52,51,50	TCON [9]_VS_REG (11)	
55,54,53	TCON [9]_HS_REG (11)	
56	TCON [9]_CTRL_REG	00
57	Reserved	
5A,59,58	TCON [10]_VS_REG (11)	
5D,5C,5B	TCON [10]_HS_REG (11)	
5E	TCON [10]_CTRL_REG	00
5F	TCON [10]_CTRL_REG	
62,61,60	TCON [11]_VS_REG (11)	
65,64,63	TCON [11]_HS_REG (11)	
66	TCON [11]_CTRL_REG	00
67	TCON [11]_CTRL_REG	00
6A,69,68	TCON [12]_VS_REG (11)	
6D,6C,6B	TCON [12]_HS_REG (11)	
6E	TCON [12]_CTRL_REG	00
6F	TCON [12]_CTRL_REG	00



72,71,70	TCON [13]_VS_REG (11)	
75,74,73	TCON [13]_HS_REG (11)	
76	TCON [13]_CTRL_REG	00
77	TCON [13]_CTRL_REG	00

Control for LVDS**Address: 8C-A0****LVDS_CTRL0****Default: 00h**

Bit	Mode	Function
7	--	Reserved to 0
5	R/W	Power Up LVDS Even-Port (pin 86~95) 0: Power down (Default) 1: Normal
4	R/W	Power Up LVDS Odd-Port (pin 74~83) 0: Power down (Default) 1: Normal
3:2	R/W	Watch Dog Model 00: Enable Watch Dog(Default) 01: Keep PLL VCO = 1V 1x: Disable Watch Dog
1	R/W	Reserved to 0
0	R	Watch Dog Control Flag 0: Watch dog not active (Default) 1: Watch dog active, Reset PLL and set VCO = 1V

Address: 8C-A1**LVDS_CTRL1****Default: 14h**

Bit	Mode	Function
7	R/W	CKLAGL: Inverse the CK port 0: lead (Default) 1: lag T/14
5:3	R/W	STSTL [2:0]: select test attribute 000: WD 001: VCOM 010: IB40u (default) 011: IBVOCM 100: PLLTST-fbak



		101: PLLTST-fin 110: LVTST-CKDIN 111: LVTST-LVDSIN[6]
2:0	R/W	LVDS Output Common Mode (Default: 100) 000 : 1.07v 001 : 1.12v 010 : 1.17v 011 : 1.22v 100 : 1.29v (Default) 101 : 1.33v 110 : 1.38v 111 : 1.43v

Address: 8C-A2**LVDS_CTRL2****Default: 43h**

Bit	Mode	Function
7:6	R/W	SBGL 00: 1.164V 01: 1.244V (Default) 10: 1.324V 11: 1.404V
5	R/W	ENIB40UX2L: Double the LVDS output swing 0: 1X 1: 2X
4	R/W	SIBXL : select 20uA source If DISP_TYPE=LVDS 0: from Bandgap (Default) 1: from ADC
3	R/W	PLL lock edge 0: positive 1: negative
2:0	R/W	SIBGENL (LVDS Current Source correction), 40u: LVDS driving current, 100u: LVDS VOCM(default) 000 : 25uA/62.5uA 001 : 30uA/75uA 010 : 35uA/87.5uA 011 : 40uA/100uA (Default) 100 : 45uA/112.5uA 101 : 50uA/125uA 110 : 55uA/137.5uA



		111 : 60uA/150uA
--	--	------------------

Address: 8C-A3 **LVDS_CTRL3** **Default: 1Ch**

Bit	Mode	Function
7	R/W	ENVPBL: Enable VCO_D2S Current Up 0: disable (Default) 1: enable
6	R/W	Reserved to 0
5:3	R/W	SIL [2:0]: PLL charge pump current (I=5uA+5uA*code) (Default: 011)
2:1	R/W	SRL [1:0]: PLL resistor (R=6K+2K*code) (Default: 10)
0	R/W	BMTS: Bit-Mapping Table Select 0: Table 1 (Default) 1: Table 2

TCLK+

LVDS	Bit 1	Bit 0	Bit 6	Bit 5	Bit 4	Bit 3	Bit 2	Bit 1	Bit 0	Bit 6	Bit 5
TXE0	ER1	ER0	EG0	ER5	ER4	ER3	ER2	ER1	ER0	EG0	ER5
TXE1	EG2	EG1	EB1	EB0	EG5	EG4	EG3	EG2	EG1	EB1	EB0
TXE2	EB3	EB2	DEN	VS	HS	EB5	EB4	EB3	EB2	DEN*6	VS*5
TXE3	ER7	ER6	RSV	EB7	EB6	EG7	EG6	ER7	ER6	RSV*7	EB7
TXO0	OR1	OR0	OG0	OR5	OR4	OR3	OR2	OR1	OR0	OG0	OR5
TXO1	OG2	OG1	OB1	OB0	OG5	OG4	OG3	OG2	OG1	OB1	OB0
TXO2	OB3	OB2	DEN	VS	HS	OB5	OB4	OB3	OB2	DEN*2	VS*1
TXO3	OR7	OR6	RSV	OB7	OB6	OG7	OG6	OR7	OR6	RSV*3	OB7

TABLE 1 Bit-Mapping 6bit(5~0)+2bit(7~6)

TCLK+

LVDS	Bit 1	Bit 0	Bit 6	Bit 5	Bit 4	Bit 3	Bit 2	Bit 1	Bit 0	Bit 6	Bit 5
TXE0	ER3	ER2	EG2	ER7	ER6	ER5	ER4	ER3	ER2	EG2	ER7
TXE1	EG4	EG3	EB3	EB2	EG7	EG6	EG5	EG4	EG3	EB3	EB2
TXE2	EB5	EB4	DEN	VS	HS	EB7	EB6	EB5	EB4	DEN*6	VS*5
TXE3	ER1	ER0	RSV	EB1	EB0	EG1	EG0	ER1	ER0	RSV*7	EB1
TXO0	OR3	OR2	OG2	OR7	OR6	OR5	OR4	OR3	OR2	OG2	OR7
TXO1	OG4	OG3	OB3	OB2	OG7	OG6	OG5	OG4	OG3	OB3	OB2
TXO2	OB5	OB4	DEN	VS	HS	OB7	OB6	OB5	OB4	DEN*2	VS*1
TXO3	OR1	OR0	RSV	OB1	OB0	OG1	OG0	OR1	OR0	RSV*3	OB1

TABLE 2 Bit-Mapping 6bit(7~2)+2bit(1~0)

Address: 8C-A4 **LVDS_CTRL4** **Default: 80h**

Bit	Mode	Function
7:6	R/W	E_RSV: even port reserve signal select 11: Always '1'



		10: Always '0' 01: TCON [11] 00: PWM_0
5:4	R/W	E_DEN : even port data enable signal select 11: Always '1' 10: Always '0' 01: TCON [9] 00: DENA
3:2	R/W	E_VS : even port VS signal select 11: Always '1' 10: DENA 01: TCON [7] 00: DVS
1:0	R/W	E_HS : even port HS signal select 11: Always '1' 10: DENA 01: TCON [5] 00: DHS

Address: 8C-A5**LVDS_CTRL5****Default: 80h**

Bit	Mode	Function
7:6	R/W	O_RSV : odd port reserve signal select 11: Always '1' 10: Always '0' 01: TCON [13] 00: PWM_1
5:4	R/W	O_DEN : odd port data enable signal select 11: Always '1' 10: Always '0' 01: TCON [9] 00: DENA
3:2	R/W	O_VS : odd port VS signal select 11: Always '1' 10: DENA 01: TCON [7] 00: DVS
1:0	R/W	O_HS : odd port HS signal select 11: Always '1' 10: DENA



		01: TCON [5] 00: DHS
--	--	-------------------------

Address: 8C-A6**LVDS_CTRL6****Default: 02h**

Bit	Mode	Function
7	R/W	RSDS Differential pair PN swap (data) (Also refer to CR29[6:4]) 0: No Swap (Default) 1: Swap
6:4	--	Reserved to 0
3	R/W	DALAGL: Inverse the Data port 0: lead (Default) 1: lag T/14
2	R/W	Reserved
1	R/W	ENDUL: Odd clock pair current double(odd B port) 0: 1X 1: 2X (Default)
0	--	Reserved to 0

Test function

Register::Pin_config_Addr_Port						0x8D
Name	Bit	R/W	Default	Description	Config	
Pin_config_Addr_Port	7:0	R/W	00	Address port for pin configuration control access		

Register::Pin_config_Data_Port						0x8E
Name	Bit	R/W	Default	Description	Config	
Pin_config_Data_Port	7:0	R/W	00	Data port for pin configuration control access		

Register::TEST_MODE						0x00
Name	Bit	R/W	Default	Description	Config	
Select_data_test_mode	7	R/W	0	Select Data Test mode MSB(for 48pin) 0: select Data test mode [15:0] to pin 36~21 1: select Data test mode [29:16] to pin 36~21		
Test mode select	6:5	R/W	00	00:Normal 01:test_output mode Others are Reserved		



Test_output_Mode	4	R/W	0	<p>0: Select Data test mode Select Data test output to 128pin{124~121,114~108,105~100,72~64, 54~51} depend on bit6~bit4 48pin(36~21)depend on bit7~bit4 1: PLL test mode {dp11, m2pll, audio_pll, mpll, ckt_pll27x, ck108_pll27x, dp11status, test1out, test2out, fav4, xclk} will be outputted to 128pin{124,113,51,71,110,101,108, 105,54,67,64} 48pin{29,37,21,35,none,none,25,23,27,3 3,31} when set to 1, clock frequency of some test pin could be divided by assigning its corresponding TST_CLK_CTRL</p>
Data_Test_mode	3:0	R/W	0	<p>0000: 1'b0, Z0TST[3:0], pclk_tst, Red[9:2], Green[9:2], Blue[9:2] through VGIP 0001: 1'b0, Z0TST[3:0], adc_clk, Red[7:0], Green[7:0], Blue[7:0] After Scale Down 0010: Z0TST[3:0], adc_clk, IVS_DLY, IHS_DLY, IFD_ODD, IENA, VSD_DEN, VSD_ACT, Auto_hs, Auto_vs, auto_field, 1'b0, COAST, test_s1, test_s2, CLAMP_G, CLAMP_BR, SOG_IN0, SOG_IN1, FAV4, final_pe_com, t_s[1:0], pe_extrab, high_88, recur_delay_chain_en, high_127 0011: Z0TST[3:0], adc_clk, MCUWR, MCURD, MCU_ADR_INC, MIN[7:0], MCUWR, MCURD, MADR[7:0], SDMOUT_TST[3:0] 0100: 1'b0, adc_clk, RAW_VS, RAW_HS, RAW_ODD, RAW_DEN, SDMOUT_TST[3:0], Green[9:0], Red[9:0] through VGIP 0101: 1'b0, adc_clk, Red[9:0], Green[9:0], raw_vs, raw_hs, en_flag, meas_ihs, HSOUT_sync_proc, coast, CLAMP_G, CLAMP_BR 0110: 1'b0, adc_clk, raw_vs, raw_hs, test_s1, test_s2, raw_filed, Blue[9:0], Green[9:0], hs0_schmitt, hs1_schmitt, 1'b0 0111: 3'b0, adc_clk, Green[9:0], iclk_tst, raw_vs, raw_hs, raw_filed, fifo_clk, internal_crystal, test_s1, test_s2, sync_pro_tst[7:0] 1000: AUDIO_DAC enable signal test pin: dac_2ch_otpin[29:0] 1001: VSDMAIN test mode: pclk_tst, 3'b0, vsd_act, vsd_den, vsd_pr[7:0], vsd_y[7:0], vsd_pb[7:0] 1010: Auto_soy test mode reserved 1011: 6'b0, ADC SNR RGB 8-bitx3 output 1100: Embedded MCU test out mode</p>



				<p>1101: HDMI test in mode 128 pin HDMI_TST_IN [29:0] assign to {124~121, 114~108, 105~100, 72~64, 54~51} 48 pin HDMI_TST_IN [15:0] assign to {36~21}</p> <p>1110: HDMI test out mode 128 pin HDMI_TST_OUT [29:0] assign to {124~121, 114~108, 105~100, 72~64, 54~51} 48 pin HDMI_TST_OUT [15:0] assign to {36~21}</p> <p>1111: 6'b0, ADC SNR RGB 8-bitx3-output reserved When set to 0010/0110/0111, test_s1 & test_s2 can be assigned by "Select_Tst_s1s2" Others are reserved</p>	
--	--	--	--	---	--

Register::TST_CLK_CTRL0					0x01
Name	Bits	Read/ Write	Reset State	Comments	Config
DPLL_OEN	7	R/W	0	DPLL frequency output enable 0: output disabled 1: output enabled	
M2pll_OEN	6	R/W	0	M2PLL frequency output enable 0: output disabled 1: output enabled	
Audio_pll_OEN	5	R/W	0	Audio_PLL frequency output enable 0: output disabled 1: output enabled	
MPLL_OEN	4	R/W	0	MPLL frequency output enable 0: output disabled 1: output enabled	
CLK108_PLL27X_OEN	3	R/W	0	CLK108_PLL27X frequency output enable 0: output disabled 1: output enabled	
Test1out_OEN	2	R/W	0	Test1out frequency output enable 0: output disabled 1: output enabled	
Test2out_OEN	1	R/W	0	Test2out frequency output enable 0: output disabled 1: output enabled	
Fav4_OEN	0	R/W	0	Fav4 frequency output enable 0: output disabled 1: output enabled	

Register::TST_CLK_CTRL1					0x02
Name	Bits	Read/ Write	Reset State	Comments	Config
XCLK_OEN	7	R/W	0	XCLK frequency output enable 0: output disabled 1: output enabled	
CKT_PLL27X_OEN	6	R/W	0	CKT_PLL27X frequency output enable	



				0: output disabled 1: output enabled	
Rev	5:0	---	---	Reserved	

Register::TST_CLK_CTRL2					0x03
Name	Bit	R/W	Default	Description	Config
MPLL_DIV_CTRL	7:6	R/W	00	MPLL frequency is divided by 00:1 01:2 10:4 11:8	
DPLL_DIV_CTRL	5:4	R/W	00	DPLL frequency is divided by 00:1 01:2 10:4 11:8	
M2pll_DIV_CTRL	3:2	R/W	11	M2PLL frequency is divided by 00:1 01:2 10:4 11:8	
Audio_pll_DIV_CTRL	1:0	R/W	00	Audio PLL frequency is divided by 00:1 01:2 10:4 11:8	

Register:: TST_CLK_CTRL3					0x04
Name	Bit	R/W	Default	Description	Config
Fav4_DIV_CTRL	7:6	R/W	00	Fav frequency is divided by 00:1 01:2 10:4 11:8	
Test1out_DIV_CTRL	5:4	R/W	00	Test1out frequency is divided by 00:1 01:2 10:4	



				11:8	
Test2out_DIV_CTRL	3:2	R/W	00	Test2out frequency is divided by 00:1 01:2 10:4 11:8	
108_pll27xDIV_CTRL	1	R/W	0	0:Divided by 1 1:Divided by 4	
Ckt_pll27x DIV_CTRL	0	R/W	0	0:divided by 1 1:divided by4	

Register:: Select_Tst_s1s2					0x05
Name	Bit	R/W	Default	Description	Config
Reserved	7	R/W	0	Reserved	
Select_Tst_s1	6:4	R/W	001	Select test function of test_s1 3'b000: DPLL clock (TIE LOW NOW) 3'b001: PLLS fbk clock 3'b010: CKOAD2(High Speed) 3'b011: PLL status 3'b100: HSOUT 3'b101: ADC clock(from PLLS)(High Speed) 3'b110: Empty Flag 3'b111: BVS(Video8)	
Reserved	3	R/W	0	Reserved	
Select_Tst_s2	2:0	R/W	010	Select test function of test_s1 3'b000: PLLS phase swallow clock (High speed) 3'b001: DPLL status(TIE LOW NOW) 3'b010: PLLS phase0 clock(High speed) 3'b011: M2PLL clock(Not in APLL) 3'b100: HSFb 3'b101: TP2_MX5 3'b110: Full Flag 3'b111: BHS(Video8)	



Register:: Select_Tstinlock					0x06	
Name	Bit	R/W	Default	Description	Config	
DPLL_TST_IN	7	R/W	0	0:Normal 1:DCLK enter from pin 34		
ADCPLL_TST_IN	6	R/W	0	0:Normal 1:ADC CLK enter from pin 35		
M2PLL_TST_IN	5	R/W	0	0:Normal 1:M2PLL CLK enter from pin 36		
HDMI_CP_ACLK_TST_IN	4	R/W	0	0:Normal 1:HDMI_CP_ACLK enter from pin 37		
HDMI_CP_CLK_TST_IN	3	R/W	0	0:Normal 1:HDMI_CP_CLK enter from pin 38		
SCAN_CLK_TST_IN	2	R/W	1	0:Normal 1:SCAN CLK enter from pin 21		
DPLL_NDIV2_EN	1	R/W	0	DPLL Test Mode Divider Enable 0:use pin 34 div2 as dclk 1:use pin 34 as dclk		
MPLL_TST_IN	0	R/W	0	0:Normal 1:MPLL CLK enter from pin 33		

TEST MODE in FIFO

Register:: ADC TEST MODE					0x07	
Name	Bit	R/W	Default	Description	Config	
ADC_TEST_MODE	7	R/W	0	0:Disable 1:Enable		
ADC_TEST_MODE_2	6	R/W	0	Useless		
FIFO_TEST_MODE	5	R/W	0	0:Disable 1:Enable test the CRC from FIFO , and open the Pattern Gen to d domain. Pattern Gen Seed (R = 01,G=00,B=00)		
ADC_TEST_START	4	R	0	Under ADC_TEST_MODE = 1, ADC_TEST_START will high when the new fifo is full , then read out data from FIFO by sending DCLK from outside test pin.		
Rev	3:0	---	---	Reserved		



Register:: ADC TEST MODE ADDR MSB					0x08
Name	Bit	R/W	Default	Description	Config
Rev	7:2	---	---	Reserved	
ADC_TEST_ADDR[9:8]	1:0	R/W	0X00	Read the FIFO initial Addr.	

Register:: ADC TEST MODE ADDR LSB					0x09
Name	Bit	R/W	Default	Description	Config
ADC_TEST_ADDR[7:0]	7:0	R/W	0X04	Read the FIFO initial Addr.	

Register:: ADC FIFO CRC					0x0A
Name	Bit	R/W	Default	Description	Config
NEW_FIFO_CRC[3:16]	7:0	R	0	NEW FIFO CRC	

Register:: ADC FIFO CRC					0x0B
Name	Bit	R/W	Default	Description	Config
NEW_FIFO_CRC[5:8]	7:0	R	0	NEW FIFO CRC	

Register:: ADC FIFO CRC					0x0C
Name	Bit	R/W	Default	Description	Config
NEW_FIFO_CRC[7:0]	7:0	R	0	NEW FIFO CRC	

Embedded OSD**Address: 90** OSD_ADDR_MSB (OSD Address MSB 8-bit)

Bit	Mode	Function
7:0	R/W	OSD MSB 8-bit address

Address: 91 OSD_ADDR_LSB (OSD Address LSB 8-bit)

Bit	Mode	Function
7:0	R/W	OSD LSB 8-bit address

Address: 92 OSD_DATA_PORT (OSD Data Port)



Bit	Mode	Function
7:0	W	Data port for embedded OSD access

Refer to the embedded OSD application note for the detailed.

Address: 93 **OSD_SCRAMBLE** **Default: 05h**

Bit	Mode	Function
7	R/W	BIST Start 0: stop (Default) 1: start (auto clear)
6	R	BIST Result 0: fail (Default) 1: success
5	R	MCU writes data when OSD ON status (Queue 1 byte data) 0: MCU writes data to OSD but not to real position (There is one level buffer here) 1: MCU doesn't write data, or data has been written to real position
4	R	Double_Buffer_Write_Status 0: double buffer write out is finish, or data write to double buffer is not ready, or no double buffer function. 1: after data write to dbuf and before dbuf write out, such that double buffer is busy.
3	R/W	OSDADRHSB 0: If initial address lower than or equal to 12K 1: If initial address higher than 12K The bit will be designed to control 16.5K bytes SRAM. However it will have no effect for WINDOW setting. Also please remember to set {OSDADRHSB, OSDADRMSB(CR90), OSDADRLSB(CR91) } again while you like to R/W a new address.
2:0	R/W	Double buffer depth (Default=6) 000~101=>1~6

Address: 94 **OSD_TEST**

Bit	Mode	Function
7:0	R/W	Testing Pattern

Address:95~97 Reserved

Digital Filter

Address: 98 **DIGITAL_FILTER_CTRL** **Default: 00h**

Bit	Mode	Function
7:4	R/W	Access Port Write Enable 0000: disable



		0001: phase access port 0010: negative smear access port 0011: positive smear access port 0100: negative ringing access port 0101: positive ringing access port 0110: mismatch access port 0111: Y(B)/Pb(G)/Pr(R) channel digital filter enable 1xxx: noise reduction access port
3:2	R/W	Two condition occur continuous (ringing to smear) 00: disable(hardware is off , depend on firmware) 01: only reduce ringing condition 10: only reduce smear condition 11: no adjust (hardware is on, but do nothing)
1	R/W	When noise reduction and mismatch occur, select 0: mismatch 1: noise reduction
0	--	Reserved to 0

Address: 99**DIGITAL_FILTER_PORT****Default: 00h****DIGITAL_FILTER_CTRL[7:4] = 0111**

Bit	Mode	Function
7	R/W	Y EN (G): function enable 0: function disable 1: function enable
6	R/W	Pb EN (B) : function enable 0: function disable 1: function enable
5	R/W	Pr EN (R) : function enable 0: function disable 1: function enable
4	R/W	Initial value: 0: raw data 1: extension
3:0	--	Reserved to 0

DIGITAL_FILTER_CTRL[7:4] = 000 ~ 110

Bit	Mode	Function
7	R/W	EN: function enable



		0: function disable 1: function enable
6:4	R/W	THD_OFFSET Threshold value of phase and mismatch and noise reduction or offset value of smear and ringing
3:2	R/W	DIV: divider value of phase and mismatch or offset value of smear and ringing 00: 0 01: 1 10: 2 11: 3
1:0	--	Reserved to 0

THD_OFFSET define:

The THD value definition of phase enhance function

Bit6~4	000	001	010	011	100	101	110	111
Value	112	128	144	160	176	192	208	224

The offset value definition of smear and ringing reduce function

Bit6~4	000	001	010	011	100	101	110	111
Value	no use	16	32	48	64	80	96	112

The THD value definition of mismatch enhance function

Bit6~4	000	XX1
Value	1	2

The THD value definition of noise reduction function

Bit6~4	000	001	010	011	100	101	110	111
Value	0	1	2	3	4	5	6	7

Color Conversion (Input Domain)**Address: 9C YUV_RGB_CTRL (YUV <-> RGB Control Register)****Default: 10h**

Bit	Mode	Function
7	R/W	Y_OUT Shift 0: Bypass 1: Y_Out+64
6	R/W	CbCr_Out_Shift: 0: Bypass 1: Cb_Out+512, Cr_Out+512
5	---	Reserved
4	R/W	Color Conversion Type 0: YUV->RGB 1: RGB->YUV (U,V are translated to unsigned 10-bit number)
3	R/W	Enable YUV/RGB coefficient Access: 0: Disable 1: Enable If this bit is set to 0, the address of the data port will reset to 0, and continuously writes 18 bytes
2	R/W	Cb Cr Clamp 0: Bypass



		1: Cb-512, Cr-512 (MSB Inversion)
1	R/W	Y Gain/Offset: 0: Bypass 1: (Y-64)*1.164
0	R/W	Enable YUV <-> RGB Conversion: 0: Disable YUV<->RGB conversion (Default) 1: Enable YUV<->RGB conversion

Address: 9D YUV_RGB_COEF_DATA

Bit	Mode	Function
7:0	W	COEF_DATA[7:0]

YUV->RGB matrix : (CR9C[4] = 0)

- CR9C[1] = 0, CR9C[2] = 1,

$$\begin{aligned} R &= h00*Y + h01*(Cb-512) + h02*(Cr-512) \\ G &= h10*Y + h11*(Cb-512) + h12*(Cr-512) \\ B &= h20*Y + h21*(Cb-512) + h22*(Cr-512) \end{aligned}$$

- CR9C[1] = 1, CR9C[2] = 1,

$$\begin{aligned} R &= h00*(1.164*(Y-64)) + h01*(Cb-512) + h02*(Cr-512) \\ G &= h10*(1.164*(Y-64)) + h11*(Cb-512) + h12*(Cr-512) \\ B &= h20*(1.164*(Y-64)) + h21*(Cb-512) + h22*(Cr-512) \end{aligned}$$

RGB->YUV matrix : (CR9C[4] = 1, CR9C[2:1] = 00)

$$\begin{aligned} Y &= h00*R + h01*G + h02*B \\ Cb &= h10*R + h11*G + h12*B \\ Cr &= h20*R + h21*G + h22*B \end{aligned}$$

All 'h' coefficients are expressed as 2's complement with 4-bit signed-extension, 2-bit integer and 10-bit fractional number. (0x0400 means 1.0)

When color conversion setting is YUV->RGB (CR9C[4]=0), h00, h10 and h20 is not effective(force to 1.0 internally).

Integer part is only effective for h02, h21. For other coefficients, integer part must be the same as signed- extension.

Coefficient Sequence (18-byte) : h00 (High-byte), h00 (Low-byte), h01 (High-byte), h01 (Low-byte), h02 (High-byte), h02 (Low-byte), h10 (High-byte), h10 (Low-byte), h11 (High-byte), h11 (Low-byte), h12 (High-byte), h12 (Low-byte), h20 (High-byte), h20 (Low-byte), h21 (High-byte), h21 (Low-byte), h22 (High-byte), h22 (Low-byte).

Default value: h00=0105h,h01=0202,h02=0063h,h10=ff69h,h11=fed8h,h12=01c0h,h20=01c0h,h21=fe89h,h22=ff8h



Paged Control Register

Address: 9F

PAGE_SEL

Default: 00h

Bit	Mode	Function
7:5	R/W	Reserved to 0
4:0	R/W	Page Selector (CRA0~CRFF) Page 0: <u>Embedded ADC/ABL/LVR/Smith trigger</u> Page 1: <u>PLL</u> Page 2: <u>HDMI/DVI/HDCP</u> Page 3: <u>LiveShow™ Control</u> Page 4: <u>SDRAM Control</u> Page 5: <u>SDR_FIFO Control</u> Page 6: Reserved Page 7: <u>Vivid color/DCC/ICM</u> Page 8: Reserved Page 9: Reserved Page A: Reserved Page B: <u>DisplayPort</u> Page C: <u>DisplayPort</u> Page D: <u>MCU</u> Page E: <u>MCU</u> Page F: <u>MCU</u> Page 10: <u>SDRAM Pin Control</u> Others: reserved

Realtek Confidential for Qisda

Embedded ADC (Page 0)

Register::ADC_POWER_SOG_SOY_CONTROL[7:0]					0XBA
Name	Bit	R/W	Default	Description	Config
Reserved	7:6	R/W	0b0	Reserved	
ADC_SOG1_DAC	5:0	R/W	0b100000	Reserved(SOG0/1 DAC input), 1-A only, SOG1 Reserved.	

Register:: ADC_2X_SAMPLE[7:0]					0XBB
Name	Bit	R/W	Default	Description	Config
ADC_2X_SAMPLE[7]	7	R/W	0b0	ADC 2x over sample (0:1x 1:2x)	
ADC_2X_SAMPLE[6]	6	R/W	0b0	2x Clock Polarity (0:Normal 1:Inverted)	
ADC_2X_SAMPLE[5]	5	R/W	0b0	1x Clock Polarity (0:Normal 1:Inverted)	
ADC_2X_SAMPLE[4:3]	4:3	R/W	0b00000	Reserved	
ADC_2X_SAMPLE[2]	2	R/W	0b0	clock input select (0:from CKOAD_V33, 1:from CKOAD_V12)	
ADC_2X_SAMPLE[1:0]	1:0	R/W	0b0	Reserved	

Register:: ADC_CLOCK[7:0]					0XBC
Name	Bit	R/W	Default	Description	Config
ADC_CLOCK[7]	7	R/W	0b0	Input Clock Polarity (0:Negative 1:Positive)	
ADC_CLOCK[6]	6	R/W	0b0	Output Divider Clock Polarity (0:Normal 1:Inverted)	
ADC_CLOCK[5:4]	5:4	R/W	0b0	ADC_OUT_PIXEL Delay (00:1.05n 01:1.39n 10:1.69n 11:1.97n)	
ADC_CLOCK[3]	3	R/W	0b0	1X or 2X from APLL (0:1X 1:2X)	
ADC_CLOCK[2]	2	R/W	0b0	Single Ended or Diff. Clock from APLL (0:Diff. 1:Single Ended)	
ADC_CLOCK[1:0]	1:0	R/W	0b1	Duty Stabilizer(00: 48% 01:50% 10: 51% 11:52%)	

Register:: ADC_TEST[7:0]					0XB D
Name	Bit	R/W	Default	Description	Config
ADC_TEST[7]	7	R/W	0b0	R,B Clamp Vaule from G (0: No 1: Yes) ADC Gain Calibration	
ADC_TEST[6:4]	6:4	R/W	0b000	Test Ouput Selection (PAD: SOGIN0, SOGIN1) SOGIN0 (000:X 001:gnd 010:gnd 011:gnd 100:gnd 101:vmid 110:voffset 111:vdd)	
ADC_TEST[3]	3	R/W	0b0	Reserved	
ADC_TEST[2]	2	R/W	0b0	Reserved	
ADC_TEST[1:0]	1:0	R/W	0b00	Clock Output Divider (00: 1/1 01: 1/2 10: 1/3 11: 1/4)	

Register::RGB gain_LSB					0XB E
Name	Bit	R/W	Default	Description	Config
Reserved	7:6	R/W	0b0	Reserved	
ADC_GAI_RED[1:0]	5:4	R/W	0x0	Red Channel Gain Adjust[1:0]	
ADC_GAI_GRN[1:0]	3:2	R/W	0x0	Green Channel Gain Adjust[1:0]	
ADC_GAI_BLU[1:0]	1:0	R/W	0x0	Blue Channel Gain Adjust[1:0]	

Register::RGB offset_LSB					0XB F
Name	Bit	R/W	Default	Description	Config
Reserved	7:6	R/W	0b0	Reserved	
ADC_OFF_RED[1:0]	5:4	R/W	0x0	Red Channel Offset Adjust[1:0]	
ADC_OFF_GRN[1:0]	3:2	R/W	0x0	Green Channel Offset Adjust[1:0]	
ADC_OFF_BLU[1:0]	1:0	R/W	0x0	Blue Channel Offset Adjust[1:0]	

Register::red gain_MSB					0XC 0
------------------------	--	--	--	--	-------

Name	Bit	R/W	Default	Description	Config
ADC_GAI_RED[9:2]]	7:0	R/W	0x80	Red Channel Gain Adjust[9:2]	

Register::green gain_MSB					0XC1
Name	Bit	R/W	Default	Description	Config
ADC_GAI_GRN[9:2]]	7:0	R/W	0x80	Green Channel Gain Adjust[9:2]	

Register::blue gain_MSB					0XC2
Name	Bit	R/W	Default	Description	Config
ADC_GAI_BLU[9:2]]	7:0	R/W	0x80	Blue Channel Gain Adjust[9:2]	

Register::RED OFFSET_MSB					0XC3
Name	Bit	R/W	Default	Description	Config
ADC_OFF_RED[9:2]]	7:0	R/W	0x80	Red Channel Offset Adjust[9:2]	

Register::GREEN OFFSET_MSB					0XC4
Name	Bit	R/W	Default	Description	Config
ADC_OFF_GRN[9:2]]	7:0	R/W	0x80	Green Channel Offset Adjust[9:2]	

Register::BLUE OFFSET_MSB					0XC5
Name	Bit	R/W	Default	Description	Config
ADC_OFF_BLU[9:2]]	7:0	R/W	0x80	Blue Channel Offset Adjust[9:2]	

Register:: ADC_POWER[7:0]					0XC6
Name	Bit	R/W	Default	Description	Config
ADC_POWER[7]	7	---	0	Reserved	
ADC_POWER[6]	6	R/W	0	ADC clock Power On (0: Power Down)	

				1: Power On)	
ADC_POWER[5]	5	R/W	0b0	SOG_ADC0 Power On (0: Power Down 1: Power On)	
ADC_POWER[4]	4	---	0	Reserved	
ADC_POWER[3]	3	R/W	0b1	Bandgap Power On (0: Power Down 1: Power On)	
ADC_POWER[2]	2	R/W	0b0	Red Channel ADC Power On (0: Power Down 1: Power On)	
ADC_POWER[1]	1	R/W	0b0	Green Channel ADC Power On (0: Power Down 1: Power On)	
ADC_POWER[0]	0	R/W	0b0	Blue Channel ADC Power On (0: Power Down 1: Power On)	

Register:: ADC_IBIAS0[7:0]					0XC7
Name	Bit	R/W	Default	Description	Config
ADC_IBIAS0[7:4]	7:4	R/W	0101	Reserved	
ADC_IBIAS0[3:2]	3:2	R/W	0b01	Bias Current of LVDS20U (00:16u 01:20u 10:24u 11:28u)	
ADC_IBIAS0[1:0]	1:0	R/W	--	Reserved	

Register:: ADC_IBIAS1[7:0]					0XC8
Name	Bit	R/W	Default	Description	Config
ADC_IBIAS1[7:6]	7:6	R/W	0b01	Reserved	
ADC_IBIAS1[5:4]	5:4	R/W	01	Reserved	
ADC_IBIAS1[3:2]	3:2	R/W	0b01	Bias Current of LSADC6 (00:16u 01:20u 10:24u 11:28u)	
ADC_IBIAS1[1:0]	1:0	R/W	0b01	Bias Current of LSADC10 (00:16u 01:20u 10:24u 11:28u)	

Register:: ADC_IBIAS2[7:0]					0XC9
Name	Bit	R/W	Default	Description	Config
ADC_IBIAS2[7:5]	7:5	R/W	0b01	Reserved	
ADC_IBIAS2[4:2]	4:2	R/W	0b001	Bias Current of DAC (000:22.5u 001:25u 010:27.5u 011:30u)	
ADC_IBIAS2[1:0]	1:0	R/W	0b01	Bias Current of Audio_DAC (00:32u 01:40u 10:48u 11:56u)	

Register:: ADC_IBIAS3[7:0]				0XCA	
Name	Bit	R/W	Default	Description	Config
ADC_IBIAS3[7:6]	7:6	R/W	0b01	Bias Current of ADC_SF (00:15u 01:20u 10:25u 11:30)	
ADC_IBIAS3[5:3]	5:3	R/W	0b011	Bias Current of 1.2v mbias (000:17.5u 001:20u 010:22.5u 011:25u 100:27.5u 101:30u 110:32.5u 111:35u)	
ADC_IBIAS3[2:0]	2:0	R/W	0b100	Bias Current of SH,MDAC (000:6u 001:8u 010:10u 011:12u 100:14 101:17 110:20u 111:24u) Bias Current of SUBADC (000:12u 001:18u 010:24u 011:27u 100:30u 101:33u 110:39u 111:45u) SUBADC (000:10u 001:10u 010:10u 011:10u 100:20u 101:20u 110:20u 111:20u)	

Register:: ADC_IBIAS4[7:0]				0XCB	
Name	Bit	R/W	Default	Description	Config
ADC_IBIAS4[7:6]	7:6	R/W	0b01	Bias Current of DPLL20U (00:16u 01:20u 10:24u 11:28u)	
ADC_IBIAS4[5:4]	5:4	R/W	0b01	Bias Current of APLL_IB60U (00:48u 01:60u 10:72u 11:84u)	
ADC_IBIAS4[3:2]	3:2	R/W	0b01	Reserved	
ADC_IBIAS4[1:0]	1:0	R/W	0b01	Bias Current of M2PLL_20u (00:16u 01:20u 10:24u 11:28u)	

Register:: ADC_VBIAS0[7:0]				0XCC	
Name	Bit	R/W	Default	Description	Config
ADC_VBIAS0[7:6]	7:6	R/W	0b01	Reserved	
ADC_VBIAS0[5:4]	5:4	R/W	0b01	1.5v regulator adjuset (00:1.4 01:1.5 10:1.6 11:1.7)	
ADC_VBIAS0[3:2]	3:2	R/W	0b00	Reserved	
ADC_VBIAS0[1:0]	1:0	R/W	0b01	Bandgap Voltage (00:1.15 01:1.25 10:1.34 11:1.42)	

Register:: ADC_VBIAS1[7:0]					0XC D
Name	Bit	R/W	Default	Description	Config
ADC_VBIAS1[7]	7	R/W	0b0	ADC Gain Calibration (0: Normal 1: Calibration)	
ADC_VBIAS1[6]	6	R/W	0b0	R Channel Clamp to -300mV (0: 0mV 1:-300mV)	
ADC_VBIAS1[5]	5	R/W	0b0	G Channel Clamp to -300mV (0: 0mV 1:-300mV)	
ADC_VBIAS1[4]	4	R/W	0b0	B Channel Clamp to -300mV (0: 0mV 1:-300mV)	
ADC_VBIAS1[3]	3	R/W	0b1	SH boot enable (0:no boost, 1: boost)	
ADC_VBIAS1[2]	2	R/W	0b0	SH boot adjust (0:0.8, 1:0.85)	
ADC_VBIAS1[1:0]	1:0	R/W	0b01	Reserved	

Register:: ADC_CTL_RGB[7:0]					0XCE
Name	Bit	R/W	Default	Description	Config
ADC_CTL_RGB[7:4]	7:4	R/W	0b1000	SH gain(0000:0.95, 0001:1, 0010:1.05, 0011:1.1, 0100:1.15, 0101:1.2, 0110:1.25, 0111:1.3, 1000:1.35, 1001:1.4, 1010:1.45)	
ADC_CTL_RGB[3]	3	R/W	0b0	Dual (0: Input0, 1:force to ground)	
ADC_CTL_RGB[2]	2	R/W	0b1	Single Ended or Diff. Input (0: Single Ended 1: Diff)	
ADC_CTL_RGB[1:0]	1:0	R/W	0b10	Bandwidth (00: 75M 01: 150M 10: 300M 11: 500M)	

Register:: ADC_CTL_RED[7:0]					0XCF
Name	Bit	R/W	Default	Description	Config
ADC_CTL_RED[7]	7	R/W	0b0	RGB/YPrPb Clamp (0: RGB 1:YPrPB) //ADC_VBIAS1[6]==0	
ADC_CTL_RED[6:4]	6:4	R/W	0b100	Clamp Voltage (0V~700mV, Step=100mV)	
ADC_CTL_RED[3]	3	R/W	0b0	Offset Depends on Gain (0: RGB Yes, YPrPb No 1:RGB No, YPrPb No)	

ADC_CTL_RED[2:0]	2:0	R/W	0b000	Red Channel ADC Fine Tune Delay, Step=90ps	
------------------	-----	-----	-------	--	--

Register:: ADC_CTL_GRN[7:0]					0XD0
Name	Bit	R/W	Default	Description	Config
ADC_CTL_GRN[7]	7	R/W	0b0	RGB/YPrPb Clamp (0: RGB 1:YPrPB)	
ADC_CTL_GRN[6:4]	6:4	R/W	0b100	Clamp Voltage (0V~700mV, Step=100mV)	
ADC_CTL_GRN[3]	3	R/W	0b0	Offset Depends on Gain (0: RGB Yes, YPrPb No 1:RGB No, YPrPb No)	
ADC_CTL_GRN[2:0]	2:0	R/W	0b0	Green Channel ADC Fine Tune Delay, Step=90ps	

Register:: ADC_CTL_BLU[7:0]					0XD1
Name	Bit	R/W	Default	Description	Config
ADC_CTL_BLU[7]	7	R/W	0b0	RGB/YPrPb Clamp (0: RGB 1:YPrPB)	
ADC_CTL_BLU[6:4]	6:4	R/W	0b100	Clamp Voltage (0V~700mV, Step=100mV)	
ADC_CTL_BLU[3]	3	R/W	0b0	Offset Depends on Gain (0: RGB Yes, YPrPb No 1:RGB No, YPrPb No)	
ADC_CTL_BLU[2:0]	2:0	R/W	0b0	Blue Channel ADC Fine Tune Delay, Step=90ps	

Register:: ADC_SOG_CMP[7:0]					0XD2
Name	Bit	R/W	Default	Description	Config
ADC_SOG_CMP[7:4]	7:4	R/W	0b0000	SOG0 input MUX select (0000: R0, 0001:G0, 0010:B0, 0011: SOG0)	
ADC_SOG_CMP[3:0]	3:0	R/W	0b0000	Reserved	

Register:: ADC_DCR_CTRL[7:0]					0XD3
Name	Bit	R/W	Default	Description	Config
ADC_DCR_CTRL[7]	7	R/W	0	Red_0 DC Restore Enable (0:Disable 1:Enable)	

ADC_DCR_CTRL[6]	6	R/W	0	Green_0 DC Restore Enable (0:Disable 1:Enable)	
ADC_DCR_CTRL[5]	5	R/W	0	Blue_0 DC Restore Enable (0:Disable 1:Enable)	
ADC_DCR_CTRL[4]	4	R/W	0	SOG0 DC Restore Enable(0:Disable 1:Enable)	
ADC_DCR_CTRL[3]	3	R/W	0	Reserved	
ADC_DCR_CTRL[2]	2	R/W	0	Reserved	
ADC_DCR_CTRL[1]	1	R/W	0	Reserved	
ADC_DCR_CTRL[0]	0	R/W	0	Reserved	

Register:: ADC_CLAMP_CTRL0[7:0]					0XD4
Name	Bit	R/W	Default	Description	Config
ADC_CLAMP_CTRL0[7]	7	R/W	0	Red_0 Clamp Enable (0: Disable 1:Enable)	
ADC_CLAMP_CTRL0[6]	6	R/W	0	Green_0 Clamp Enable (0: Disable 1:Enable)	
ADC_CLAMP_CTRL0[5]	5	R/W	0	Blue_0 Clamp Enable (0: Disable 1:Enable)	
ADC_CLAMP_CTRL0[4]	4	R/W	0	SOG0 Clamp Enable(0:Disable 1:Enable)	
ADC_CLAMP_CTRL0[3]	3	R/W	0	Reserved	
ADC_CLAMP_CTRL0[2]	2	R/W	0	Reserved	
ADC_CLAMP_CTRL0[1]	1	R/W	0	Reserved	
ADC_CLAMP_CTRL0[0]	0	R/W	0	Reserved	

Register:: ADC_CLAMP_CTRL1[7:0]					0XD5
Name	Bit	R/W	Default	Description	Config

ADC_CLAMP_CTR L1[7]	7	R/W	0	Red channel clamp voltage (0: IR=400mV 1: IR=100mV)	
ADC_CLAMP_CTR L1[6]	6	R/W	0	Red channel clamp source select (0: R0=DAC, R1=IR 1: R0=IR, R1=DAC)	
ADC_CLAMP_CTR L1[5]	5	R/W	0	Green channel clamp voltage (0: IR=400mV 1: IR=100mV)	
ADC_CLAMP_CTR L1[4]	4	R/W	0	Green channel clamp source select (0: G0=DAC, G1=IR 1: G0=IR, G1=DAC)	
ADC_CLAMP_CTR L1[3]	3	R/W	0	Blue channel clamp mode select (0: IR=400mv 1: IR=100mV)	
ADC_CLAMP_CTR L1[2]	2	R/W	0	Blue channel clamp source select (0: B0=DAC, B1=IR 1: B0=IR, B1=DAC)	
ADC_CLAMP_CTR L1[1]	1	R/W	0	SOG0 clamp -300mV (0: noraml clamp 1: clamp -300m) //IR	
ADC_CLAMP_CTR L1[0]	0	R/W	0	Reserved	

Register:: ADC_CLAMP_CTRL2[7:0]					0XD6
Name	Bit	R/W	Default	Description	Config
ADC_CLAMP_CTR L2[7:6]	7:6	R/W	0b01	Input0 and SOG0 DC restore resister (00:open 01:500k 10:1M 11:5M)	
ADC_CLAMP_CTR L1[5:4]	5:4	R/W	0b01	<u>Reserved</u>	
ADC_CLAMP_CTR L1[3]	3	R/W	0	RGB input range adjust (0: 0.5V-1.0V, 1:0.25V-1.25V)	
ADC_CLAMP_CTR L1[2]	2	R/W	0	Red channel clamp to top (0: noraml 1: top)	
ADC_CLAMP_CTR L1[1]	1	R/W	0	Green channel clamp to top (0: noraml 1: top)	
ADC_CLAMP_CTR L1[0]	0	R/W	0	Blue channel clamp to top (0: noraml 1: top)	

Register::ADC_SOG_DAC_SOY_CONTROL[7:0]					0XD7
Name	Bit	R/W	Default	Description	Config
Reserved	7:6	---	0b0	Reserved	
ADC_SOG0_DAC[5]	5:0	R/W	0b100000	SOG0 DAC input	

:0]					
-----	--	--	--	--	--

Address:D8 **PTNPOS_H** **Default: 00h**

Bit	Mode	Function
7:4	R/W	Test Pattern V Position Register [11:8] Assign the test pattern digitized position in line after V_Start.
3:0	R/W	Test Pattern H Position Register [11:8] Assign the test pattern digitized position in pixel after H_Start.

Address: D9 **PTNPOS_V_L**

Bit	Mode	Function
7:0	R/W	Test Pattern V Position Register [7:0] Assign the test pattern digitized position in line after V_Start..

Address:DA **PTNPOS_H_L**

Bit	Mode	Function
7:0	R/W	Test Pattern H Position Register [7:0] Assign the test pattern digitized position in line after H_Start..

Use PTNPOS to assign the pixel position after HSYNC leading edge that input signal digitized. Each time the PTNPOS is written, the digitized results will be loaded into PTNRD, PTNGD and PTNBD. For test issue, make the input signal a fixed pattern before PTNPOS is written. Then the same digitized output will be got.

Address: DB **PTNRD**

Bit	Mode	Function
7:0	R	Test Pattern Red-Channel Digitized Result.

Address: DC **PTNGD**

Bit	Mode	Function
7:0	R	Test Pattern Green-Channel Digitized Result.

Address:DD **PTNBD**

Bit	Mode	Function
7:0	R	Test Pattern Blue-Channel Digitized Result.

Address:DE **TEST_PATTERN_CTRL** **Default: 00h**

Bit	Mode	Function
7	R/W	Enable Test 0: Finish (and result sequence is R-G-B) (Default) 1: Start
6:0	--	Reserved

Register:: EBD_REGLATOR_VOL[7:0]					0XDF
Name	Bit	R/W	Default	Description	Config
EBD_REGLATOR_VOL[7:6]	7:6	R/W	0b00	Reserved	
RBG33	5:4	R/W	00	Select bandgap output voltage @ TT60 00 : Vbg = 1.22 V 01 : Vbg = 1.13 V 10 : Vbg = 1.32 V 11 : Vbg = 1.41 V	
VINSEL	3	R/W	0	Select reference voltage to REG_OP 0 : from bandgap	

				1 : from “ Vdd of power supply* resistance ratio ”	
VSEL	2:0	R/W		Select output voltage of regulator 000 : 1.203 V 001 : 1.143 V 010 : 1.085 V 011 : 1.246 V 100 : 1.298 V 101 : 1.355 V 110 : 1.424 V 111 : 1.508 V	
			000		



ABL(Page 0)

Address: E2

AUTO_BLACK_LEVEL_CTRL1

Default: 00h

Bit	Mode	Function
7	R/W	ABL Mode 0: RBG (Default) 1: YPbPr
6	R/W	On-line/Off-line ABL Mode 0: Off-line (Default) 1: On-line
5:4	R/W	Width of ABL region in each line 00: 16 pixels (Default) 01: 32 pixels 10: 64 pixels 11: 4 pixels
3	R	R/Pr Channel ABL Result (write clear) 0: not equal 1: equal (Black Level = Target Value) On-line mode: Black Level - Target Value <= LOCK_MGN Off-line mode: Black Level - Target Value <= EQ_MGN
2	R	G/Y Channel ABL Result (write clear) 0: not equal 1: equal (Black Level = Target Value) On-line mode: Black Level - Target Value <= LOCK_MGN Off-line mode: Black Level - Target Value <= EQ_MGN
1	R	B/Pb Channel ABL Result (write clear) 0: not equal 1: equal (Black Level = Target Value) On-line mode: Black Level - Target Value <= LOCK_MGN Off-line mode: Black Level - Target Value <= EQ_MGN
0	R/W	Auto Black Level Enable (write 0 force stop) 0: Finished/Disable (Default) 1: Enable to start ABL, auto cleared after finished Cleared to 0 when off-line mode completes.

- Parameters can only be changed when EN_ABL is 0
 - The on-line mode never stops unless EN_ABL is 0.
 - Off-line mode completes when MAX_FRAME is measured or the result is equal.
-

- ABL must be disabled before switching On-line/Off-line mode and then enable again.

Address: E3 **AUTO_BLACK_LEVEL_CTRL2** **Default: 84h**

Bit	Mode	Function
7:6	R/W	Line averaged for each ABL adjustment 00: 8 01: 16 10: 32 (Default) 11: 64
5	--	Reserved
4:0	R/W	Start Vertical Position of ABL in each line Determine the start line of auto-black-level after the leading edge of Vsync

Address: E4 **AUTO_BLACK_LEVEL_CTRL3** **Default: 10h**

Bit	Mode	Function
7:4	R/W	Y/R/G/B Target value 0000: 1 0001: 2 (Default) 0010: 3 0011: 4 1111:16 (Pb/Pr Target level is fixed 128)
3:2	R/W	Lock Margin 00: 1 (Default) 01: 2 10: 4 11: 6
1:0	R/W	End Vertical Position of ABL measurement region [9:8] Determine the last line of auto-black-level measurement for every frame/field count by double line

- Off-line mode rule:
Measures once for each field / frame, and the offset is the delta.
- On-line mode rule:
If (delta <= EQ_MGN) offset = 0
Else if (delta < L_MGN) offset = +/-1
Else offset = +/-L_MGN
- ADC offset is updated immediately.

Address: E5 **AUTO_BLACK_LEVEL_CTRL4** **Default: 82h**

Bit	Mode	Function
7:0	R/W	End Vertical Position of ABL measurement region [7:0] Determine the last line of auto-black-level measurement for every frame/field counted by double line.

- Note: ABL will fail if End Vertical Position < Start Vertical Position + Average Line(CRC1[7:6])

Address: E6 **AUTO_BLACK_LEVEL_CTRL5** **Default: 04h**

Bit	Mode	Function
7:0	R/W	Start Position of ABL in Each Line Determine the start position of auto-black-level after the trailing edge of reference signal. (When ABL mode in YPbPr, the reference signal is input Hsync. In RGB mode, the reference signal is clamp signal.)

- In each region, hardware compare the average value in the target region (fixed 16 input pixels after start position of ABL) with target value and add +1/-1 or +L_MGN /- L_MGN to ADC offset. (+ for greater than target value, - for smaller than target value).

Address: E7 **AUTO_BLACK_LEVEL_CTRL6** **Default: C0h**

Bit	Mode	Function
7:6	R/W	Large Error Margin (L_MGN) (For on-line Mode) 00: 2 01: 4 10: 6 11: 8 (Default)
5:4	R/W	Max. Frame/Field Count (For off-line mode) 00: 4 (Default) 01: 5 10: 6 11: 7
3	--	Reserved
2:0	R/W	Lines delayed between each measurement region (For on-line Mode) 000: 16 (Default) 001: 32 010: 64 011: 128 100: 192 101: 256 110: 384 111: 640

Address: E8

AUTO_BLACK_LEVEL_CTRL7

Default: 60h

Bit	Mode	Function
7	--	Reserved
6	R/W	Equal Condition (Off-line mode) 0: To trigger status until measurement achieve Max Frame/Field Count. 1: To trigger status once if Black Level - Target Value <= EQ_MGN. (Default) (If set 0, the ABL Result will not go low even noise comes for the next frames.)
5	R/W	Measure Pixels Method 1: Minimum value (Default) 0: Average value
4	R/W	Measure Error Flag Reset 0: Normal 1: Reset
3	R	Measure Error Flag 0: Normal 1: Error (This flag is occurred when Hsync trailing edge is met during measurement.)
2	R/W	Hsync Start Reference Select 0: HS leading edge (Default) 1: HS trailing edge
1:0	R/W	Equal margin (EQ_MGN) 00: 0 (Default) 01: 1 10: 2 11: 3

Address: E9

AUTO_BLACK_LEVEL_RED_VALUE

Bit	Mode	Function
7:0	R	Minimum/Average Value of Red Channel in Test Mode (only show MSB 8bit.)

Address: EA

AUTO_BLACK_LEVEL_GREEN_VALUE

Bit	Mode	Function
7:0	R	Minimum/Average Value of Green Channel in Test Mode (only show MSB 8bit.)

Address: EB

AUTO_BLACK_LEVEL_BLUE_VALUE

Bit	Mode	Function
7:0	R	Minimum/Average Value of Blue Channel in Test Mode (only show MSB 8bit.)

Address: EC AUTO_BLACK_LEVEL_NOISE_VALUE_OF_RED_CHANNEL

Bit	Mode	Function
7:0	R	Noise Value of Red Channel in Test Mode after Equal status is triggered. (only show MSB 8bit.)

Address: ED AUTO_BLACK_LEVEL_NOISE_VALUE_OF_GREEN_CHANNEL

Bit	Mode	Function
7:0	R	Noise Value of Green Channel in Test Mode after Equal status is triggered. (only show MSB 8bit.)

Address: EE AUTO_BLACK_LEVEL_NOISE_VALUE_OF_BLUE_CHANNEL

Bit	Mode	Function
7:0	R	Noise Value of Blue Channel in Test Mode after Equal status is triggered. (only show MSB 8bit.)

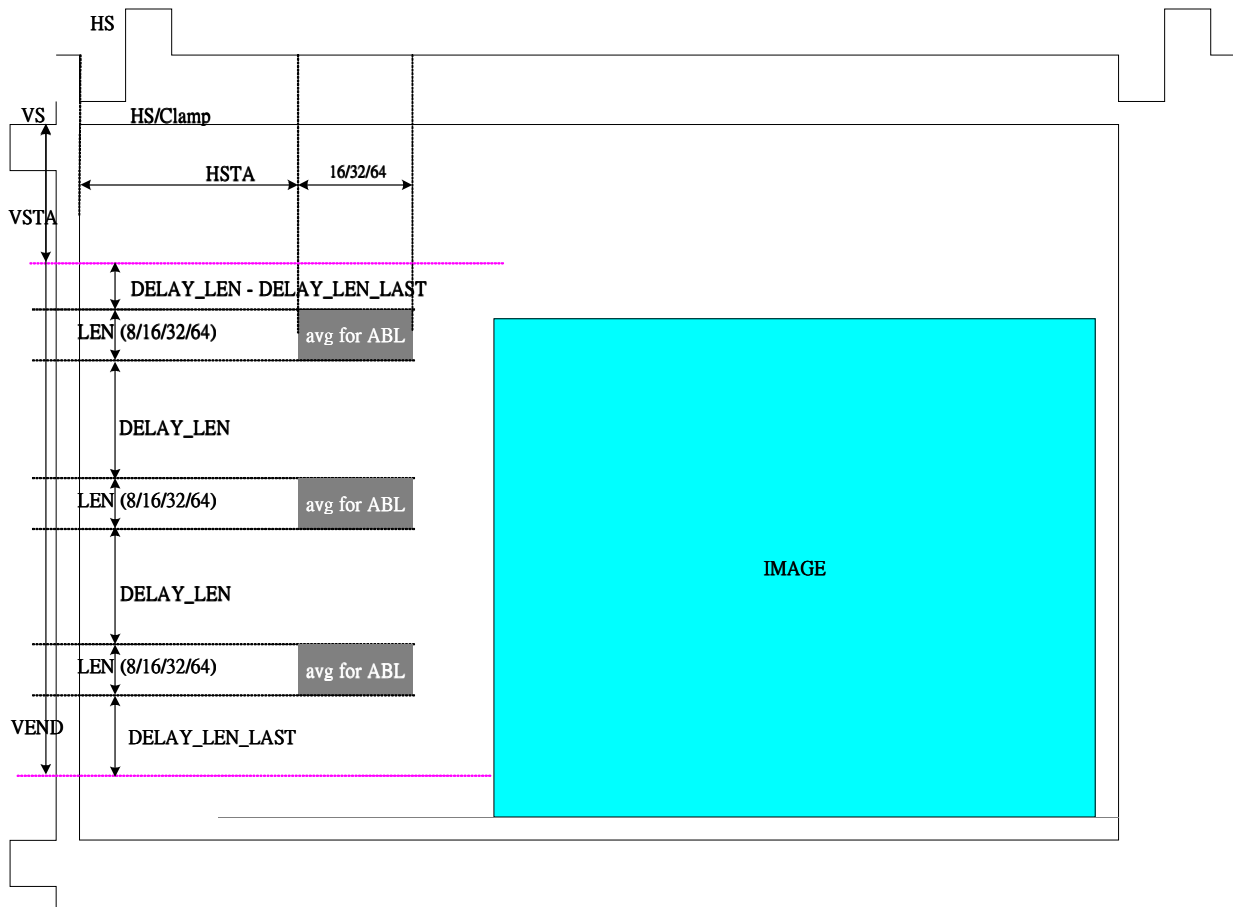


Figure-2: Auto Black Level active region – case 1

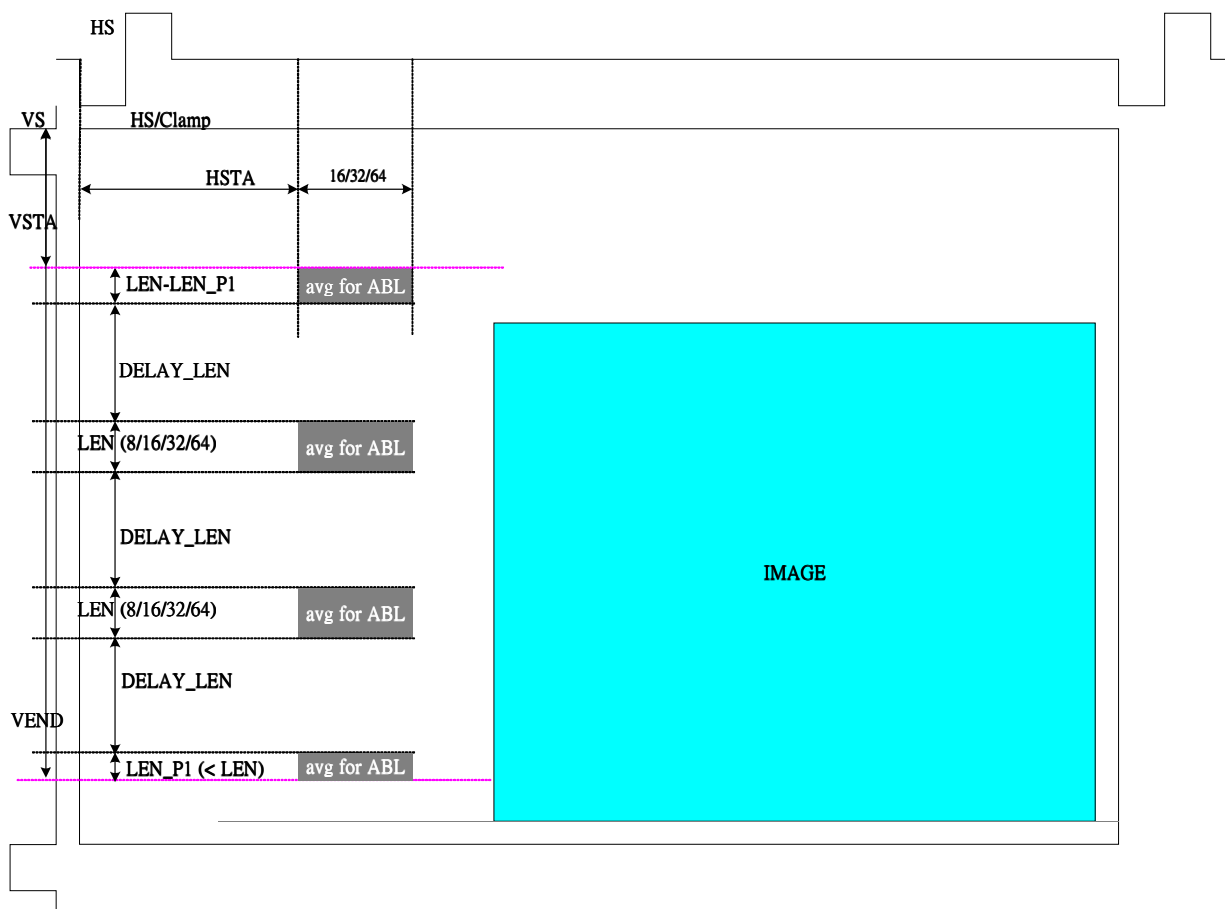


Figure-3: Auto Black Level active region – case 2

LVR(Page 0)

Address: F3

POWER_ON_RESET

Default: 94h

Bit	Mode	Function
7:6	R/W	Negative Threshold Value For Power on Reset 00:1.8V 01:2.2V 10:2.0V (Default) 11:2.4V
5:4	R/W	PORMCUVSET (LVR Threshold Voltage) 00:1.22V 01:1.13V (Default) 10:1.32V 11:1.41V
3:0	R/W	Reserved to 0x04

Smith trigger(Page 0)

Address:F 4

HS_SCHMITT_TRIGGE_CTRL

Default:E1h

Bit	Mode	Function
7	R/W	HSYNC Schmitt Power Down (Only for Schmitt trigger new mode) 0: Power down 1: Normal (Default)
6	R/W	Polarity Select 0: Negative HSYNC (high level) 1: Positive HSYNC (low level) (Default)
5	R/W	Schmitt Trigger Mode 0: Old mode 1: New mode(Default)
4	R/W	Threshold Voltage Fine Tune (only for Schmitt trigger new mode) 0: 0V (Default) 1: -0.1V
3:2	R/W	Positive Threshold Voltage
1:0	R/W	Negative Threshold Voltage

- There is a mode of the HSYNC Schmitt trigger.

- New mode: Fully programmable Schmitt trigger.

The following table will determine the Schmitt Trigger positive and negative voltage:

bit[6]=1 (Positive HSYNC)				bit[6] = 0 (Negative HSYNC)			
bit[3:2]	V _t ⁺	bit[1:0]	V _t ⁻	bit[3:2]	V _t ⁺	bit[1:0]	V _t ⁻
00	1.4V	00	V _t ⁺ - 1.2V	00	1.8V	00	V _t ⁺ - 1.2V
01	1.6V	01	V _t ⁺ - 1.0V	01	2.0V	01	V _t ⁺ - 1.0V
10	1.8V	10	V _t ⁺ - 0.8V	10	2.2V	10	V _t ⁺ - 0.8V
11	2.0V	11	V _t ⁺ - 0.6V	11	2.4V	11	V _t ⁺ - 0.6V

- After we get the threshold voltage by the table, we still can fine tune it:

Final Positive Threshold Voltage = V_t⁺ - 0.1 * bit[4]

Final Negative Threshold Voltage = V_t⁻ - 0.1 * bit[4]

MEMORY PLL (Page 0)

Register::MPLL_M					0xF5	
Name	Bits	R/W	Default	Comments	Config	
MPLL_M[7:0]	7:0	R/W	4E	MPLL DPM value - 2		

Register::MPLL_N					0xF6	
Name	Bits	R/W	Default	Comments	Config	
MPLL_RESERVE1	7	R/W	0	Reserved		

MPLL_BPN	6	R/W	0	MPLL BPN 0: N divider enable. 1: N divider disable, OUT=ckxtal.	
MPLL_O[1:0]	5:4	R/W	1	MPLL Output Divider 00: Div1 01: Div2 (Default) 10: Div4 11: Div8	
MPLL_N[3:0]	3:0	R/W	3	MPLL DPN value - 2	

- Assume $MPLL_M=0x7D$, $DPM=0x7D+2=127$; $MPLL_N=0x0A$, $DPN=0x0A+2=12$; $Divider=1/4$, $F_IN = 24.576MHz$. $F_MPLL = F_IN \times DPM / DPN \times Divider = 24.576 \times 127 / 12 / 4 = 65.024MHz$.

CRF5~CRF6 are double buffer.

Register::MPLL_CRNT					0xF7
Name	Bits	R/W	Default	Comments	Config
MPLL_RS[2:0]	7:5	R/W	3	MPLL Loop Filter Resister Control 000: 16K 001: 18K 010: 20K 011: 22K (Default) 100: 24K 101: 26K 110: 28K 111: 30K	
MPLL_CS[1:0]	4:3	R/W	2	MPLL Loop Filter Capacitor Control 00: 18p 01: 20p 10: 24p (Default) 11: 28p	
MPLL_IP[2:0]	2:0	R/W	2	MPLL Charger Pump Current Control $I_{cp}=(2.5uA+2.5uA*bit[0]+5uA*bit[1]+10uA*bit[2])$ Keep DPM/Icp constant=10.67	

Register::MPLL_WD					0xF8
Name	Bits	R/W	Default	Comments	Config

MPLL_WDO	7	R	0	MPLL WD Status 0: Normal 1: Abnormal	
MPLL_WDRST	6	R/W	0	MPLL WD Reset 0: Normal (Default) 1: Reset	
MPLL_WDSET	5	R/W	0	MPLL WD Set 0: Normal (Default) 1: Set	
MPLL_FUPDN	4	R/W	1	MPLL Frequency Tuning 0: Freq Up 1: Freq Dn(Default)	
MPLL_STOP	3	R/W	1	MPLL Frequency Tuning 0: Disable 1: Enable (Default)	
MPLL_FREEZE	2	R/W	0	MPLL Output Freeze 0: Normal (Default) 1: Freeze Active high.	
MPLL_VCORSTB	1	R/W	0	Reset VCO 0: Normal (Default) 1: Reset Active high.	
MPLL_PWDN	0	R/W	1	Power Down MPLL 0: Power on 1: Power down(Default) Active high.	

Register::MPLL_CAL				0xF9	
Name	Bits	R/W	Default	Comments	Config
MPLL_VCOMD[1:0]	7:6	R/W	3	MPLL VCO Default Mode 00: VCO slowest 11: VCO fastest (Default)	
MPLL_CALBP	5	R/W	0	MPLL Bypass Calibration 0: Reference by Calibration Result(Default) 1: Reference by CR-F9[7:6] Active high.	

MPLL_CALSW	4	R/W	0	Calibration Validated Go high after power on 1200us. 0: Reference by CR-F9[7:6] 1: Refernect by Calibration Result	
MPLL_CALLCH	3	R/W	0	Latch Calibration Go high after power on 1100us. 0: Disable Latch 1: Enable Latch	
MPLL_CMPEN	2	R/W	0	CMP Enable Go high after power on 1000us. 0: Diable CMPEN 1: Enable CMPEN	
MPLL_CP	1	R/W	0	CP Control 0: 1.77pF 1: 2.1pF	
MPLL_RESERVE	0	R/W	1	Reserved for MPLL Phase Swallow Circuit 0: Path0 1: Path1	

ADC PLL (Page 1)

Address: A0

PLL_DIV_CTRL

Default: 08h

Bit	Mode	Function
7	R/W	DDS Tracking Edge 0: HS positive edge (Default) 1: HS negative edge
6	R/W	Tracking direction inversion 0: if HS leads HSFB => phase lead => m, k ↑ (Default) 1: if HS lags HSFB => phase lag => m, k ↓
5:4	R/W	Waiting HS lines to start counting divider for Fast Lock function 00: 4 (default) 01: 3 10: 2 11: 1
3:2	R/W	Delay Compensation Mode 00: Mode 0 No delay from PLL phase0 to DDS pfd input 01: Mode 1 Delay the path from PLL phase0 to DDS pfd input to be around 4.2 ns 10: Mode 2 (default) Delay the path from PLL phase0 to DDS pfd input to be around 4.6 ns 11: Mode 3 Delay the path from PLL phase0 to DDS pfd input to be around 5 ns
1	R/W	Reserved to 0
0	R/W	Reserved to 0

Address: A1

I_CODE_M

Default: 01h

Bit	Mode	Function
7	R/W	Reserved to 0
6:0	R/W	I_CODE[14:8]

Address: A2

I_CODE_L

Default: 04h

Bit	Mode	Function
7:0	R/W	I_CODE[7:0]

Address: A3

P_CODE

Default: 20h

Bit	Mode	Function
7:0	R/W	P_CODE[7:0]

Address: A4

PFD_CALIBRATED_RESULTS

Default: 8'b0xxxxxxx

Bit	Mode	Function
7	R/W	PFD Calibration Enable (auto clear when finished) Overwrite 0 to 1 return a new PFD calibrated value.
6:4	R/W	Reserved to 0
3:0	R	PFD Calibrated Results [11:8]

Address: A5

PFD_CALIBRATED_RESULTS

Default: 8'bxxxxxxx

Bit	Mode	Function
7:0	R	PFD Calibrated Results [7:0]

Address: A6 PE_MEARSURE **Default: 8'b0xxxxxxx**

Bit	Mode	Function
7	R/W	PE Measure Enable (auto clear when finished) 0: Disable (Default) 1: Start PE Measurement, clear after finish.
6:4	R/W	Reserved to 0
3:0	R	PE Value Result [11:8]

Address: A7 PE_MEARSURE **Default: 8'bxxxxxxx**

Bit	Mode	Function
7:0	R	PE Value Result [7:0]

Address: A8 PE_MAX_MEASURE **Default: 8'b0xxxxxxx**

Bit	Mode	Function
7	R/W	PE Max. Measure Enable 0: Disable (Default) 1: Start PE Max. Measurement
6:4	R/W	Reserved to 0
3:0	R	PE Max Value [11:8]

Address: A9 PE_MAX_MEASURE **Default: 8'bxxxxxxx**

Bit	Mode	Function
7:0	R	PE Max Value [7:0]

Address: AA FAST_PLL_CTRL **Default: 00h**

Bit	Mode	Function
7	R/W	PE Max. Measure Clear 0: clear (Default) 1: write '1' to clear PE Max. Value
6	R/W	Enable APLL Setting 0: Disable (Default) 1: Enable (Auto clear when finished) When CRAA[5] enabled, enable this bit will write P_CODE, I_CODE, PLL M/N, PLL K, PLLDIV and DDS SUM_I at the end of input vertical data enable
5	R/W	Enable Fast PLL Mechanism 0: Disable (Default) 1: Enable (Auto clear when finished)
4	R/W	Force APLL Setting Enable

		Force to write PLL M/N, K, PLLDIV and SUM_I while got no V_ACTIVE signal 0: Disable (Default) 1: Enable (Auto clear when finished)
3	R/W	DDS SUM_I Setting Updated Enable 0: Disable (Default) 1: Enable (Auto clear when finished)
2	R/W	Measure SUM_I 0: Disable 1: Enable (Auto clear after finish)
1	R/W	Enable Port AB 0: Disable Port AB Access 1: Enable Port AB Access When this bit is 0, port address will be reset to 00, and will auto increase when read or write
0	R/W	Select SUM_I for Read 1: Select SUM_I_NOW [26:0] for read 0: Select SUM_I_PRE [26:0] for read

Address: AB **FAST_PLL_SUM_I**

Bit	Mode	Function
7:0	R/W	SUM_I_PRE (Auto Increase) 1st [00000, SUM_I [26:24]] 2nd SUM_I [23:16] 3rd SUM_I [15:8] 4th SUM_I [7:0]

SUM_I [26] is the signed bit

The operation steps are as following:

SUM_I Access Port Indexing=0,

SUM_I Access Port Indexing=1,

SUM_I selection =1, Fast Lock Function=1

Latch SUM_I_NOW=1

Read SUM_I_NOW from SUM_I_ACCESS_PORT for 4 times:

SUM_I_NOW [26:24]

SUM_I_NOW [23:16]

SUM_I_NOW [15:8]

SUM_I_NOW [7:0]

Calculate new freq. SUM_I_PRE and write to SUM_I_ACCESS_PORT for 4 times:

SUM_I_PRE [26:24]

SUM_I_PRE [23:16]

SUM_I_PRE [15:8]

SUM_I_PRE [7:0]

SUM_I_PRE_SET =1

Write PLL2 M/N code and DDS feed back divider

Write New P/I code

Setting Auto Load =1

Wait for next frame start or polling Reg [2E].6

Address: AC **PLL_M (M Parameter Register)** **Default: 09h**

Bit	Mode	Function
7:0	R/W	PLLM[7:0] (PLL DPM value – 3)

Address: AD **PLL_N (N Parameter Register)** **Default: 20h**

Bit	Mode	Function
7:4	R/W	PLLSPHNEXT[3:0] (K) (default is 0000)
3	R/W	PLLSNBP 0: N is followed by the value of REG AD [2:0] 1: N is always 1
2:0	R/W	PLLN[2:0] (PLL DPN value – 2) (default is 000) It is supposed to be always bigger than 2

- PLL1_N modify to only 4-bit.
- Assume PLL1_M=0x0B, P1M=0x0B+3=14; PLL1_N=0x03, P1N=0x03+2=5; K=7; F_IN = 24.576MHz.
F_PLL = F_IN x ((P1M+7/16) / P1N) = 24.576 x 14.4375 / 5 = 70.9632MHz
- If the target frequency is F_ADC, the constraint of F_PLL is $(M+7/16)/N * XTCLK < F_PLL < (M+8/16)/N * XTCLK$
- Although the new dds provides +15/-16 phase margin for tracking. However it is better not to set M, N and K to be some freq. that PLL has to swallow +15/-16 phases. Because under that condition, SDM will get saturation problem.
- For NO shrink IC => PLLN setting will have no limitation
- For shrink IC and timing factor predicted as 0.8 => crystal clock 27 MHZ => PLLN can't be 0 while APLL VCO is lower than 167MHZ
crystal clock 24.576 MHZ => PLLN can't be 0 while APLL VCO is lower than 84 MHZ
- For shrink IC and timing factor predicted as 0.9 => crystal clock 27 MHZ => PLLN can't be 0 while APLL VCO is lower than 74 MHZ
crystal clock 24.576 MHZ => PLLN can't be 0 while APLL VCO is lower than 52 MHZ

Address: AE **PLL_CRNT (PLL Current/Resistor Register)** **Default: 6Fh**

Bit	Mode	Function
7:5	R/W	PLLVR [2:0] (PLL Loop Filter Resister Control) 000: 7K 001: 9.5K 010: 12K 011: 14.5K(Default)

		100: 17K 101: 19.5K 110: 22K 111: 24.5K
4:0	R/W	PLLSI [4:0] (PLL Charger Pump Current IchDpll) (Default: 00011b) $I_{cp} = 2.5\mu A + 2.5\mu A * \text{bit}[0] + 5\mu A * \text{bit}[1] + 10\mu A * \text{bit}[2] + 20\mu A * \text{bit}[3] + 30\mu A * \text{bit}[4]$

- Keep Icp/DPM constant

Address: AF **PLL_WD (PLL Watch Dog Register)** **Default: 09h**

Bit	Mode	Function
7	R	PLLSTATUS (PLL WD Status) 0: Normal (Default) 1: Abnormal
6	R/W	PLLWDRST (PLL WD Reset) 0: Normal (Default) 1: Reset
5	R/W	PLLWDSET (PLL WD Set) 0: Normal (Default) 1: Set
4:3	R/W	PLLWDVSET[1:0] (PLL WD Voltage Set) 00: 2.46V 01: 1.92V(Default) 10: 1.36V 11: 1.00V
2	R/W	HS_dds2synp latch edge 0: falling edge (Default) 1: rising
1	R/W	Reset DDS 0: normal (Default) 1: reset whole DDS
0	R/W	PLLPWDN (PLL Power Down) 0: Normal Run 1: Power Down (Default)

- HSFB_dds2synp & HS_dds2synp will be both sampled by AF [2]

Address: B0 **PLL_MIX** **Default: 8'b0000_000x**

Bit	Mode	Function
7	R/W	PLLSVR3
6	---	Reserved to 0
5	R/W	PLLSVC3

4	---	Reserved to 0
3	---	Reserved to 0
2:1	R/W	ADCKMODE [1:0] (ADC Input Clock Select Mode) 00: Single Clock Mode (Default) 01: Single Inverse-Clock Mode 10: External Clock Mode 11: Dual Clock Mode (1x and 2x Clock)
0	R	Swallow phase enable (K mask disabled) The pll can't enable swallow phase function while pll just be power up. Waiting for 64 clock cycles then start to enable phase swallow function. While power down, the counter will be reset. While power up, the counter start to work

Address: B1 PLLDIV_H Default: 45h

Bit	Mode	Function
7	---	Reserved to 0
6	R/W	Phase_Select_Method 0: Manual 1: Look-Up-Table (default)
5	R/W	PLLPH0PATH 0: Short Path (Default) 1: Long Path (Compensate PLL_ADC path delay)
4	R/W	PLLD2 0:ADC CLK=1/2 VCO CLK (Default) 1:ADC CLK=1/4 VCO CLK
3:0	R/W	PLL Divider Ratio Control. High-Byte [11:8]. (Default: 5h)

Address: B2 PLLDIV_L Default: 2Eh

Bit	Mode	Function
7:0	R/W	PLL Divider Ratio Control. Low-Byte [7:0]. PLLDIV should be double buffered when PLLDIV_LO changes and IDEN_STOP occurs.

- This register determines the number of output pixel per horizontal line. PLL derives the sampling clock and data output clock (DCLK) from input HSYNC. *The real operation Divider Ratio = PLLDIV+1*
- The power up default value of PLLDIV is 053Fh(=1343, VESA timing standard, 1024x768 60Hz, Horizontal time).
- The setting of PLLDIV must include sync, back-porch, left border, active, right border, and front-porch times.
- Control-Register B1 & B2 will filled in when Control-Register B2 is written.

Address: B3 PLLPHASE_CTRL0 (Select Phase to A/D) Default: 30h

Bit	Mode	Function
7	R/W	PLLD2X control (Default=0)
6	R/W	PLLD2Y control (Default=0)

5	R/W	PLLX (PLL X Phase control) (Default=1)
4	R/W	PLLY (PLL X Phase control) (Default=1)
3:0	R/W	PLLSCK [4:1] (PLL 32 Phase Pre-Select Control) (Default=0h)

Address: B4 PLLPHASE_CTRL1 (Select Phase to A/D) **Default: 00h**

Bit	Mode	Function
7	R/W	PLLSCK [0] (PLL 32 Phase Pre-Select Control) (Default=0)
6	R/W	MSB of 128 phase (Only for ADC CLK=1/4 VCO CLK) (Default=0)
5:0	R/W	Phase Select the index of Look-Up-Table[5:0] (Default=0)

- When Phase_Select_Method=1, Phase is selected by CRB4[6:0].
- When Phase_Select_Method=0, PLLD2X, PLLD2Y, PLLX, PLY, PLLSCK[4:0] Should be double buffered when PLLSCK[0] is updated

Address: B5 PLL_PHASE_INTERPOLATION **Default: 50h**

Bit	Mode	Function
7:6	R/W	PLL Phase Interpolation Control Load (Default: 01)
5:3	R/W	PLL Phase Interpolation Control Source (Default: 010)
2:1	R/W	PLL Add Phase Delay 00: Original phase selected by X,Y and 16-phase pre-select 01-11: Add 1-3 delay to Original phase selected by X,Y and 32-phase pre-select
0	R/W	Reserved to 0

Phase	[XY ^^^^^]	Phase	[XY ^^^^^]	Phase	[XY ^^^^^]	Phase	[XY ^^^^^]
0	[11 00000]	16	[01 10000]	32	[10 00000]	48	[00 10000]
1	[11 00001]	17	[01 10001]	33	[10 00001]	49	[00 10001]
2	[11 00010]	18	[01 10010]	34	[10 00010]	50	[00 10010]
3	[11 00011]	19	[01 10011]	35	[10 00011]	51	[00 10011]
4	[11 00100]	20	[01 10100]	36	[10 00100]	52	[00 10100]
5	[11 00101]	21	[00 10101]	37	[10 00101]	53	[00 10101]
6	[11 00110]	22	[00 10110]	38	[10 00110]	54	[00 10110]
7	[11 00111]	23	[01 10111]	39	[10 00111]	55	[00 10111]
8	[11 01000]	24	[01 11000]	40	[10 01000]	56	[00 11000]
9	[11 01001]	25	[01 11001]	41	[10 01001]	57	[00 11001]
10	[01 01010]	26	[10 11010]	42	[10 01010]	58	[11 11010]
11	[01 01011]	27	[10 11011]	43	[10 01011]	59	[11 11011]
12	[01 01100]	28	[10 11100]	44	[00 01100]	60	[11 11100]
13	[01 01101]	29	[10 11101]	45	[00 01101]	61	[11 11101]

14	[01 01110]	30	[10 11110]	46	[00 01110]	62	[11 11110]
15	[01 01111]	31	[10 11111]	47	[00 01111]	63	[11 11111]

Address: B6

P_CODE mapping methods

Default: 18h

Bit	Mode	Function
7:6	R/W	<p>Mapping method:</p> <p>00: normal mapping P_CODE x G value (default)</p> <p>01: nonlinear mapping I smaller than Q(PE) 2 4 8 16 32 64 P_CODE x 1 2 4 8 32 128 128</p> <p>10: nonlinear mapping II P_CODE x 1 2 2 8 32 256 256</p> <p>11: nonlinear mapping III P_CODE x 1 2 8 16 32 128 512</p>
5:2	R/W	<p>G value</p> <p>0000: 0</p> <p>0001: 1</p> <p>0010: 4</p> <p>0011: 16</p> <p>0100: 64</p> <p>0101: 128</p> <p>0110: 256 (default)</p> <p>0111: 512</p> <p>1000: 1/4</p> <p>1001: 1/16</p> <p>1010: 1/64</p> <p>1011: reserved to 0</p> <p>1100: reserved to 0</p> <p>1101: reserved to 0</p> <p>1110: reserved to 0</p> <p>1111: reserved to 0</p>
1	R/W	<p>Adaptive tracking enable for I_CODE</p> <p>0: disable to use adaptive I_CODE (default)</p> <p>1: enable to use adaptive I_CODE</p>
0	R/W	<p>Adaptive tracking enable for P_CODE</p> <p>0: disable to use adaptive P_CODE (default)</p> <p>1: enable to use adaptive P_CODE</p>

Address: B7

PE tracking method

Default: 02h

Bit	Mode	Function
7:6	R/W	Threshold value of Q (PE) to decide if starting adaptive tracking 00: 2 (default) 01: 4 10: 8 11: 15
5:4	R/W	Threshold times to decide if starting adaptive tracking while Q(PE) < Threshold value successively 00: 3 (default) 01: 7 10: 11 11: 15
3	R/W	Mask high speed testing pins (test1out, test2out, fav4) 0: normal 1: mask
2	R/W	Adaptive tracking enable => refer to B6 [1:0] to decide if I_CODE or P_CODE enables adaptive tracking or not 0: disable (default) 1: enable
1:0	R/W	Decrease ratio for adaptive tracking Adaptive tracking will be enabled while getting Q (PE) <=2 for over 8 times, and it will be triggered only under delay-chain mode 00: 1/2 01: 1/4 10: 1/8 (default) 11: 1/16

Address: B8

DDS_MIX_1

Default: 06h

Bit	Mode	Function
7:6	R	DDS tracking state [1:0] 00: not lock 01: lock 10: unlock but not using new tracking mode yet 11: unlock & using new tracking mode
5:4	R/W	Reserved to 0
3:1	R/W	Judge threshold lock already => while Q (PE) keep smaller than threshold for 32 HS 000: 2 001: 4 010: 6

		011: 8 (default) 100: 16 101: 32 110: 64 111: 120
0	R	PLL lock already 0: not lock already 1: lock already

Address: B9

DDS_MIX_2

Default: 00h

Bit	Mode	Function
7:0	R/W	P_code_max[16:9] Set p_code_max value to clamp the GAIN of APLL

Address: BA

DDS_MIX_3

Default: 00h

Bit	Mode	Function
7:0	R/W	P_code_max[8:1] Set p_code_max value to clamp the GAIN of APLL

Address: BB

DDS_MIX_4

Default: 1Bh

Bit	Mode	Function
7	R/W	P_code_max[0] Set p_code_max value to clamp the GAIN of APLL
6	R/W	New mode enable 0: disable new mode tracking (default) 1: enable new mode tracking
5:3	R/W	New mode enable threshold 000: 8 001: 20 010: 60 011: 120 (default) 100: 200 101: 450 110: 800 111: 1200
2:0	R/W	New mode lock threshold=> while Q (PE) keep smaller than threshold for 32 HS 000: 2 001: 4 010: 6 011: 8 (default) 100: 16

		101: 32
		110: 64
		111: 120

- New mode enable threshold should be larger than new mode lock threshold, otherwise, the track state will always be at lock state and new mode function will not be enabled while new mode enable threshold < Q (PE) < new mode lock threshold

Address: BC

DDS_MIX_5

Default: A0h

Bit	Mode	Function
7:6	R/W	Delay chain length select (only valid while new mode enable and track state is 01 10 11) 00: cnt=7 => 59.6ns 01: cnt=15 => 117ns 10: cnt=23 => 184.4ns (default) 11: cnt=31 => 246.8ns
5:4	R/W	Phase error sample period choose (only valid while new mode enable and track state is 01 10 11) 00: every 1 cycle sample 01: every 2 cycle sample 10: every 3 cycle sample (default) 11: every 4 cycle sample
3	R/W	Delay chain reset period select 0: short reset (2ns) (default) 1: long reset (1 fbck)
2	R/W	Reset delay chain saturation flag 0: normal (default) 1: reset flag
1	R	Delay chain saturation flag 0: not saturate 1: saturate => it need to enlarge the sample period or set bigger N code
0	R/W	APLL_free_run enable 0: normal state (default) 1: force APLL to free run state

- While we got delay chain saturation flag 1'b1, that means that the big jitter is bigger than what we image and we have to reset the delay chain length setting BC [7:6]. Also we have to enlarge the sampling period & delay chain length
- The choice for sampling period will be set by the rule as following:
(Delay chain length * 78 +50) * each tap delay + 10(ns) must be < N * T_{XCLK} * sample period
if delay chain saturation flag goes high, then we must enlarge the delay chain length & set bigger sampling period

- While we enable free run mode, DDS will keep reset status until disable free run

Address: BD **DDS_MIX_6**

Bit	Mode	Function
7:0	R	Final M code to APLL

- While we like to read final M code & K code, we have to enable measure PE (Page 1-CRA6[7]) first. Otherwise we will get glitch value

Address: BE **DDS_MIX_7** **Default: 00h**

Bit	Mode	Function
7:4	R	Final K code to APLL
3:1	R/W	Change mode threshold => triggered by any Q (PE) > threshold 000: 600 (default) 001: 850 010: 1100 011: 1350 100: 1600 101: 1850 110: 2100 111: 2350
0	R/W	new_mode_i_code_en 0: while new mode enable, I code will have no effect on SUM_I. All phase error will be compensated by P code (default) 1: while new mode enable, I code will be operated as normal state

- For APLL interrupt status that include 4 different types:
 No lock: initial is 1 => over lock threshold B8 [3:1] => 1
 Wait state: initial is 1 => valid only while u enable new mode => over new mode enable threshold BB [5:3] => 1
 New mode state: initial is 1 => valid only while u enable new mode => over new mode lock threshold BB [2:0] => 1
 Change mode happen state: initial is 1 => over change mode threshold BE [3:1] => 1
- DISPLAY PLL (Page 1)

Register::DPLL_M				0xBF		
Name	Bits	R/W	Default	Comments	Config	
DPLL_M[7:0]	7:0	R/W	4E	DPLL DPM value - 2		

Register::DPLL_N				0xC0	
Name	Bits	R/W	Default	Comments	Config
DPLL_RESERVE1	7	R/W	0	Reserved	
DPLL_BPN	6	R/W	0	DPLL BPN 0: N divider enable. 1: N divider disable, OUT=ckxtal.	
DPLL_O[1:0]	5:4	R/W	1	DPLL Output Divider 00: Div1 01: Div2 (Default) 10: Div4 11: Div8	
DPLL_N[3:0]	3:0	R/W	3	DPLL DPN value - 2	

- Assume DPLL_M=0x7D, DPM=0x7D+2=127; DPLL_N=0x0A, DPN=0x0A+2=12; Divider=1/4, F_IN = 24.576MHz. $F_{DPLL} = F_{IN} \times DPM / DPN \times \text{Divider} = 24.576 \times 127 / 12 / 4 = 65.024\text{MHz}$.

CRBF~CRC0 are double buffer.

Register::DPLL_CRNT				0xC1	
Name	Bits	R/W	Default	Comments	Config
DPLL_RS[2:0]	7:5	R/W	3	DPLL Loop Filter Resister Control 000: 16K 001: 18K 010: 20K 011: 22K (Default) 100: 24K 101: 26K 110: 28K 111: 30K	
DPLL_CS[1:0]	4:3	R/W	2	DPLL Loop Filter Capacitor Control 00: 18p 01: 20p 10: 24p (Default) 11: 28p	
DPLL_IP[2:0]	2:0	R/W	2	DPLL Charger Pump Current Control $I_{cp} = (2.5\mu\text{A} + 2.5\mu\text{A} \cdot \text{bit}[0] + 5\mu\text{A} \cdot \text{bit}[1] + 10\mu\text{A} \cdot \text{bit}[2])$ Keep DPM/Icp constant=10.67	

DCLK Spread Spectrum (Page 1)

Register::DPLL_WD				0xC2	
Name	Bits	R/W	Default	Comments	Config
DPLL_WDO	7	R	0	DPLL WD Status 0: Normal 1: Abnormal	
DPLL_WDRST	6	R/W	0	DPLL WD Reset 0: Normal (Default) 1: Reset	
DPLL_WDSET	5	R/W	0	DPLL WD Set 0: Normal (Default) 1: Set	
DPLL_FUPDN	4	R/W	1	DPLL Frequency Tuning 0: Freq Up 1: Freq Dn(Default)	
DPLL_STOP	3	R/W	1	DPLL Frequency Tuning 0: Disable 1: Enable (Default)	
DPLL_FREEZE	2	R/W	0	DPLL Output Freeze 0: Normal (Default) 1: Freeze Active high.	
DPLL_VCORSTB	1	R/W	0	Reset VCO 0: Normal (Default) 1: Reset Active high.	
DPLL_PWDN	0	R/W	1	Power Down DPLL 0: Power on 1: Power down(Default) Active high.	

Register::DPLL_CAL				0xC3	
Name	Bits	R/W	Default	Comments	Config
DPLL_VCOMD[1:0]	7:6	R/W	3	DPLL VCO Default Mode 00: VCO slowest 11: VCO fastest (Default)	

DPLL_CALBP	5	R/W	0	DPLL Bypass Calibration 0: Reference by Calibration result(Default) 1: Reference by CRC3[7:6] Active high.	
DPLL_CALSW	4	R/W	0	Calibration Validated Go high after power on 1200us. 0: Reference by CRC3[7:6] 1: Refernect by cal result	
DPLL_CALLCH	3	R/W	0	Latch Calibration Go high after power on 1100us. 0: Disable Latch 1: Enable Latch	
DPLL_CMPEN	2	R/W	0	CMP Enable Go high after power on 1000us. 0: Diable CMPEN 1: Enable CMPEN	
DPLL_CP	1	R/W	0	CP Control 0: 1.77pF 1: 2.1pF	
DPLL_RESERVE	0	R/W	1	Reserved for DPLL Phase Swallow Circuit 0: Path0 1: Path1	

Register:: Initial DCLK_FINE_TUNE_OFFSET_MSB				0xC4	
Name	Bits	R/W	Default	Comments	Config
DPLL_LINEAR_CHANGE	7	R/W	0	Linear change offset value function 0 : disable 1: enable (auto clear when finish) It should work on DDS Spread Spectrum Output function enable. When function is done, the initial offset and DPLLUPDN value would be the target offset and DPLLUPDN value.	
DPLL_EVEN_OLD_EN	6	R/W	0	Only Even / Odd Field Mode Enable 0: Disable (Default)	

				1: Enable	
DPLL_EVEN_OD_SEL	5	R/W	0	Even / Odd Field Select 0: Even (Default) 1: Odd	
DPLL_FUPDN	4	R/W	1	DPLL FUPDN (DPLL Frequency Tuning) 0: Freq Up 1: Freq Down (Default)	
DCLK_OFFSET[11:8]	3:0	R/W	0	Initial DCLK Offset [11:8] in Fixed Last Line DVTOTAL & DHTOTAL	

Register:: Initial DCLK_FINE_TUNE_OFFSET_LSB						0xC5
Name	Bits	R/W	Default	Comments	Config	
DCLK_OFFSET[7:0]	7:0	R/W	0	Initial DCLK Offset [7:0] in Fixed Last Line DVTOTAL & DHTOTAL		

Register:: DCLK_SPREAD_SPECTRUM						0xC6
Name	Bits	R/W	Default	Comments	Config	
DCLK_SPREAD_RANGE	7:4	R/W	0	DCLK Spreading range (0.0~7.5%) The bigger setting, the spreading range will bigger, but not uniform		
DCLK_FMDIV	3	R/W	0	Spread Spectrum FMDIV (SSP_FMDIV)/(0) 0: 33K 1: 66K		
DCLK_READY	2	R/W	0	Spread Spectrum Setting Ready for Writing (Auto Clear) 0: Not ready 1: Ready to write		
FREQ_SYNTHESIS_SEL	1:0	R/W	0	Frequency Synthesis Select (F & F-N*dF) 00~11: N=1~4		

- The “Spread Spectrum Setting Ready for Writing” means 4 kinds of registers will be set after this bit is set:
 1. DCLK spreading range
 2. Spread spectrum FMDIV
 3. DCLK offset setting
 4. Frequency synthesis select

Register:: EVEN_FIXED_LAST_LINE_MSB						0xC7
Name	Bits	R/W	Default	Comments	Config	
EVEN_FIXED_LAST_LINE[11:8]	6:4	R/W	3	Even Fixed Last Line Length [11:8]		

EVEN_FIXED_DVTOTAL[11:8]	3:0	R/W	0	Even Fixed DVTOTAL [11:8]	
--------------------------	-----	-----	---	---------------------------	--

Register:: EVEN_FIXED_LAST_LINE_LSB					0xC8
Name	Bits	R/W	Default	Comments	Config
EVEN_FIXED_DVTOTAL[7:0]	7:0	R/W	0	Even Fixed DVTOTAL [7:0]	

Register:: EVEN_FIXED_LAST_LINE_LENGTH_LSB					0xC9
Name	Bits	R/W	Default	Comments	Config
EVEN_FIXED_DVTOTAL[7:0]	7:0	R/W	0	Even Fixed Last Line Length [7:0]	

- If Even / Odd mode disable, we use EVEN_FIXED_LAST only.
- If Even/Odd mode enable, the even / odd field would be reference different setting.
- Fixed last line value can't be zero, and can't smaller than DH_Sync width.

Register:: FIXED_LAST_LINE_CTRL					0xCA
Name	Bits	R/W	Default	Comments	Config
RSV_CA_76	7:6	--	0	Reserved to 0	
MEASURE_PHASE	5	R/W	0	Measure the Phase about Fixed DVTOTAL & Last Line DHTOTAL Function 0 : Disable 1 : Enable (Auto clear when finish)	
MARK_PHASE_TRACKING	4	R/W	0	Mark Phase tracking about Fixed DVTOTAL & Last Line DHTOTAL Function 0 : Disable 1 : Enable	
NED_FIXED_LAST_LINE_MODE	3	R/W	0	Enable New Design Function in Fixed Last Line Mode 0: Disable (Default) 1: Enable	
DCLK_DDS	2	R/W	0	DDS Spread Spectrum Test Enable 0: Disable (Default) 1: Enable	
DCLK_FIXED_LAST_LINE_EN	1	R/W	0	Enable the Fixed DVTOTAL & Last Line DHTOTAL Function 0: Disable (Default) 1: Enable	

DCLK_DDS_EN	0	R/W	0	Enable DDS Spread Spectrum Output Function 0: Disable (Default) 1: Enable
-------------	---	-----	---	--

Procedure:

- First, we have set M/N code and then we need to tune DCLK OFFSET to achieve frame-sync, every step of offset frequency is $DCLK/2^{15}$.
- When we finished the frame-sync, we turn on CRCA[1] to let the system running in to free-run mode, at this time, the CRC7,CRC8,CRC9 are the reference DV and DH total and Fixed last Line Length.
- But the free-run mode DVS' should be close to frame-sync mode DVS to achieve pseudo-frame-sync(actually, it is free run mode now)
- Then we use CRC6[1:0] ($F-N*dF$) to keep DVS' and DVS very closely to achieve pseudo-frame-sync.

Notice:

- In RTD2472RD, when all the setting above is ready, then we open spread spectrum function, the DCLK OFFSET will shift, please keep the DCLK OFFSET keeps steady when we open spread spectrum function.
- In Real free-run mode, the DV_TOTAL refers to CR2B-0B/CR2B-0C, and in Fixed-Last-Line mode, and disable "Even/Odd mode" then the free-run timing DV_TOTAL refers to CRC7/CRC8, at this time CR2B-0B/CR2B-0C serve for Vsync-timeout watch dog reference.

Register:: ODD_FIXED_LAST_LINE_MSB				0xCB	
Name	Bits	R/W	Default	Comments	Config
ODD_FIXED_LAST_LINE LENG[11:8]	6:4	R/W	0	ODD Fixed Last Line Length [11:8]	
ODD_FIXED_DVTOTAL[11:8]	3:0	R/W	0	ODD Fixed DVTOTAL [11:8]	

Register:: ODD_FIXED_LAST_LINE_DVTOTAL_LSB				0xCC	
Name	Bits	R/W	Default	Comments	Config
ODD_FIXED_DVTOTAL[7:0]	7:0	R/W	0	ODD Fixed DVTOTAL [7:0]	

MCLK Spread Spectrum (Page 1)

Register:: MCLK_FINE_TUNE_OFFSET_MSB				0xCD	
Name	Bits	R/W	Default	Comments	Config

RSV_FA_74	7:4	---	0	Reserved	
MCLK_OFFSET[11:8]	3:0	R/W	0	MCLK Offset [11:8]	
Register:: MCLK_FINE_TUNE_OFFSET_LSB 0xCE					
Name	Bits	R/W	Default	Comments	Config
MCLK_OFFSET[7:0]	7:0	R/W	0	MCLK Offset [7:0]	

Register:: MCLK_SPREAD_SPECTRUM 0xCF					
Name	Bits	R/W	Default	Comments	Config
MCLK_SPREAD_RANGE	7:4	R/W	3	MCLK Spreading range (0.0~7.5%) The bigger setting, the spreading range will bigger, but not uniform	
MCLK_FMDIV	3	R/W	0	Spread Spectrum FMDIV (SSP_FMDIV)/(0) 0: 33K 1: 66K	
MCLK_READY	2	R/W	0	Spread Spectrum Setting Ready for Writing (Auto Clear) 0: Not ready 1: Ready to write	
MCLK_DDS	1	R/W	0	DDS Spread Spectrum Test Enable 0: Disable (Default) 1: Enable	
MCLK_DDS_EN	0	R/W	0	Enable DDS Spread Spectrum Output Function 0: Disable (Default) 1: Enable	

- The “Spread Spectrum Setting Ready for Writing” means 3 kinds of registers will be set after this bit is set:
 1. MCLK spreading range
 2. Spread spectrum FMDIV
 3. MCLK offset setting

Register:: PHASE_LINE_LSB 0xD0					
Name	Bits	R/W	Default	Comments	Config
PHASE_LINE[7:0]	7:0	R	0	Phase Line [7:0]	

Register:: PHASE_PIXEL_PIXEL					0xD1	
Name	Bits	R/W	Default	Comments	Config	
PHASE_PIXEL[7:0]	7:0	R	0	Lead Phase Pixel [7:0]		

Register:: TARGET_DCLK_FINE_TUNE_OFFSET_MSB					0xD2	
Name	Bits	R/W	Default	Comments	Config	
RSV_D2_75	7:5	---	0	Reserved		
TARGET_DPLLUPDB	4	R/W	1	Target DPLLUPDN (DPLL Frequency Tuning Up/Down) 0: Freq Up 1: Freq Down (Default)		
TARGET_DCLK_OFFSET[11:8]	3:0	R/W	0	Target DCLK Offset [11:8] in Fixed Last Line DVTOTAL & DHTOTAL		

Register:: TARGET_DCLK_FINE_TUNE_OFFSET_LSB					0xD3	
Name	Bits	R/W	Default	Comments	Config	
TARGET_DCLK_OFFSET[7:0]	3:0	R/W	0	Target DCLK Offset [7:0] in Fixed Last Line DVTOTAL & DHTOTAL		

Register::DPLL_RESULT					0xD4	
Name	Bits	R/W	Default	Comments	Config	
RSV_D4_74	7:4	---	0	Reserved		
DPLL_VO2	3	R	0	DPLL CAL OUT2		
DPLL_VO1	2	R	0	DPLL CAL OUT1		
DPLL_CAL[1:0]	1:0	R	0	DPLL calibrated VCO code		

MULTIPLY PLL FOR INPUT CYRSTAL (Page 1)

Register::M2PLL_M					0xE0	
Name	Bits	R/W	Default	Comments	Config	

M2PLL_M[7:0]	7:0	R/W	69	M2PLL DPM value – 2 (M) * PLL output=input*(M/P)	
--------------	-----	-----	----	---	--

Register::M2PLL_N					0xE1	
Name	Bits	R/W	Default	Comments	Config	
M2PLL_CP	7	R/W	0	CP Control 0:CP=1.77pF 1:CP=2.1pF		
M2PLL_BPN	6	R/W	0	M2PLLBPN=0 , N divider enable M2PLLBPN=1, N divider disable , OUT=ckxtal		
M2PLL_O[1:0]	5:4	R/W	1	M2PLL Output divider 00:Div1, 01:Div2, 10:Div4, 11:Div8		
M2PLL_N[3:0]	3:0	R/W	3	M2PLL DPN value - 2		

Note: CRE0~E1 are double buffer

CRE2~E3 are not controlled by software reset.

Register::M2PLL_CRNT					0xE4	
Name	Bits	R/W	Default	Comments	Config	
M2PLL_RS[2:0]	7:5	R/W	3	M2PLL Loop Filter Resister Control(Rs) 000:16K, 001:18K, 010:20K, 011:22K 100: 24K, 101: 26K, 110:28K, 111:30K		
M2PLL_CS[1:0]	4:3	R/W	2	M2PLL Loop Filter Capacitor Control(Cs) 00:18p, 01:20p, 10:24p, 11:28p		
M2PLL_IP[1:0]	2:0	R/W	2	M2PLL Charge Pump Current Control $I_{cp}=(2.5\mu A+2.5\mu A*\text{bit}[0]+5\mu A*\text{bit}[1]+10\mu A*\text{bit}[2])$ Keep DPM/Icp constant=10.67		

Register::M2PLL_WD					0xE5	
Name	Bits	R/W	Default	Comments	Config	
M2PLL_WDO	7	R	0	M2PLL WD Status register 0:Normal 1:Abnormal		
M2PLL_WDRST	6	R/W	0	M2PLL WD Reset 0:Normal		

				1:Reset	
M2PLL_WDSET	5	R/W	0	M2PLL WD Set 0:Normal 1:Set	
M2PLL_VCOMD[1:0]	4:3	R/W	3	M2PLL VCO Default mode 00: VCO slowest 11: VCO fastest	
M2PLL_FREEZE	2	R/W	0	M2PLL Output Freeze 0:Normal 1:Freeze (active high)	
M2PLL_VCORSTB	1	R/W	0	RESET VCO (active high)	
M2PLL_PWDN	0	R/W	0	Power Down M2PLL (active high)	

AUDIO DAC (Page 1)

Register:: BB_POWER0 0xF0					
Name	Bits	R/W	Default	Comments	Config
BB_POW_AIN	7	R/W	0	Power down control for AIN buffer (0:power down, 1:power on)	
BB_POW_AINVOL	6	R/W	0	Power down control for AIN volume control (0:power down, 1:power on)	
BB_POW_AOUT	5	R/W	1	Power down control for AOUT amplifier (0:power down, 1:power on)	
BB_POW_DAC	4	R/W	0	Power down control for DAC (0:power down, 1:power on)	
BB_POW_DACVOL	3	R/W	0	Power down control for DAC volume control (0:power down, 1:power on)	
BB_POW_DACVREF	2	R/W	0	Power down control for DAC reference voltage buffer (0:power down, 1:power on)	
BB_POW_DF2SE	1	R/W	0	Power down control for DF2SE (0:power down, 1:power on)	
BB_POW_HPOUT	0	R/W	1	Power down control for HPOUT amplifier (0:power down, 1:power on)	

Register:: BB_POWER1 0xF1					
Name	Bits	R/W	Default	Comments	Config

Reserved	7:2	--	0	Reserved	
BB_POW_MBIAS	1	R/W	1	Power down control for bias generator (0:power down, 1:power on)	
BB_POW_VREF	0	R/W	1	Power down control for analog ground generator (0:power down, 1:power on)	

Register:: AIN_CONTROL 0xF2					
Name	Bits	R/W	Default	Comments	Config
Reserved	7	--	0	Reserved	
BB_EN_AIN	6	R/W	0	Enable AIN (0:disable, 1:enable)	
BB_AINVOL	5:0	R/W	0x27	Volume control for AIN (00h:-58.5dB~37h:24dB)	

Register:: DAC_CONTROL 0xF3					
Name	Bits	R/W	Default	Comments	Config
Reserved	7:6	--	0	Reserved	
BB_DACVOL	5:0	R/W	0x27	Volume control for DAC output (00h:-58.5dB~37h:24dB)	

Register:: AOUT_CONTROL 0xF4					
Name	Bits	R/W	Default	Comments	Config
BB_MUTE_AOUT_L	7	R/W	1	Mute control for AOUT_L (0:unmute, 1:mute)	
BB_MUTE_AOUT_R	6	R/W	1	Mute control for AOUT_R (0:unmute, 1:mute)	
BB_MUX_AOUT	5	R/W	0	Source selection for AOUT (0:from DAC, 1:from AIN)	
BB_OUTEN_AOUT	4	R/W	0	Output enable for AOUT (0:disable, 1:enable)	
BB_SWAP_AOUT	3	R/W	0	Swap L/R control for AOUT (0:No swap, 1: Swap L/R)	
Reserved	2:0	--	0	Reserved	

Register:: HPOUT_CONTROL 0xF5					
-------------------------------	--	--	--	--	--

Name	Bits	R/W	Default	Comments	Config
BB_MUTE_HPOUT_L	7	R/W	1	Mute control for HPOUT_L (0:unmute, 1:mute)	
BB_MUTE_HPOUT_R	6	R/W	1	Mute control for HPOUT_R (0:unmute, 1:mute)	
BB_MUX_HPOUT	5	R/W	0	Source selection for HPOUT (0:from DAC, 1:from AIN)	
BB_OUTEN_HPOUT	4	R/W	0	Output enable for HPOUT (0:disable, 1:enable)	
BB_SWAP_HPOUT	3	R/W	0	Swap L/R control for HPOUT (0:No swap, 1: Swap L/R)	
Reserved	2:0	--	0	Reserved	

Register:: MBIAS_CONTROL0 0xF6					
Name	Bits	R/W	Default	Comments	Config
BB_MBIAS_AMP	7:6	R/W	10	Bias current selection for output amplifier (00b:10u, 01b:15u, 10b:20u, 11b:30u)	
BB_MBIAS_DACVREF	5:4	R/W	10	Bias current selection for DACVREF (00b:10u, 01b:15u, 10b:20u, 11b:30u)	
BB_MBIAS_DAOP	3:2	R/W	10	Bias current selection for DAOP (00b:10u, 01b:15u, 10b:20u, 11b:30u)	
BB_MBIAS_DAREFBUF	1:0	R/W	10	Bias current selection for DAREFBUF (00b:10u, 01b:15u, 10b:20u, 11b:30u)	

Register:: MBIAS_CONTROL1 0xF7					
Name	Bits	R/W	Default	Comments	Config
BB_MBIAS_DF2SE	7:6	R/W	10	Bias current selection for DF2SE (00b:10u, 01b:15u, 10b:20u, 11b:30u)	
BB_MBIAS_IN_MC3	5:4	R/W	10	Bias current selection for input buffer (00b:10u, 01b:15u, 10b:20u, 11b:30u)	
BB_MBIAS_VOL	3:2	R/W	10	Bias current selection for volume control (00b:10u, 01b:15u, 10b:20u, 11b:30u)	
BB_MBIAS_VREF	1:0	R/W	10	Bias current selection for analog ground generator (00b:10u, 01b:15u, 10b:20u, 11b:30u)	

Register:: VREF_CONTROL 0xF8					
------------------------------	--	--	--	--	--

Name	Bits	R/W	Default	Comments	Config
BB_VREF_VAG	7:6	R/W	01	Analog ground voltage selection (00b:1.717 ,01b:1.65, 10b:1.58, 11b:1.51)	
BB_DACVREF_MODE	5	R/W	1	DAC reference voltage source (0:internal generation, 1:external given)	
Reserved	4:0	--	0	Reserved	

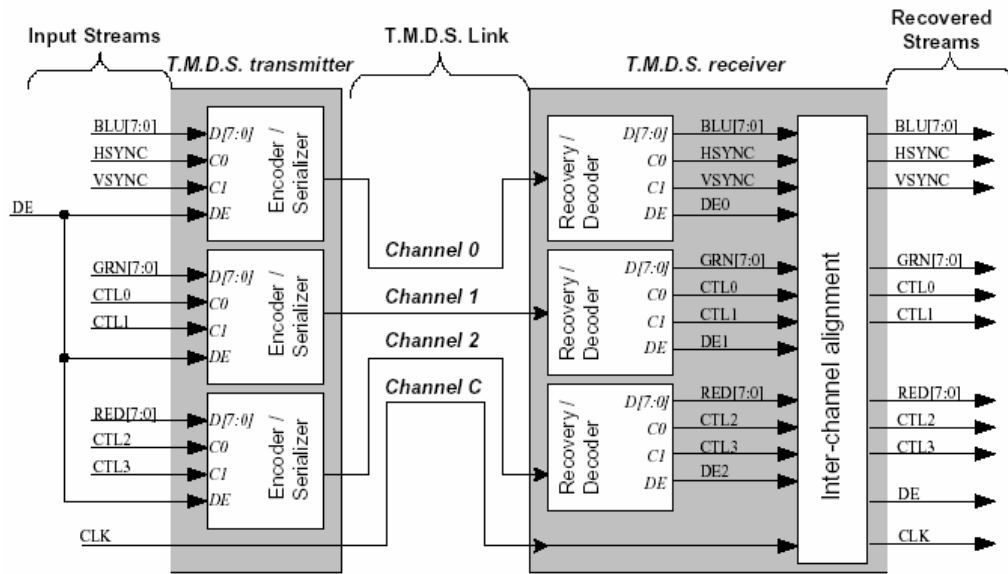
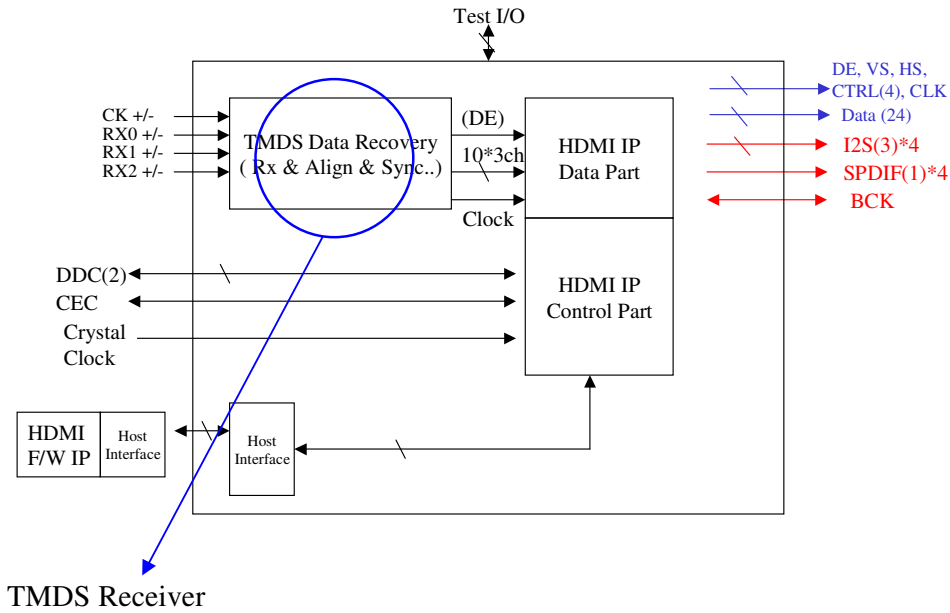
Register:: MODULATOR_CONTROL 0xF9					
Name	Bits	R/W	Default	Comments	Config
BB_MOD_CLK_RATE	7:6	R/W	00	00:mclk(256fs) 01:aclk(128fs) 10:sclk(64fs)	
BB_MOD_RST_N	5	R/W	1	for second time to reset sigma-delta modulator(after reset up sample filter about 22*(1/fs)) 0: Reset 1: No Reset	
BB_DEBUG_EN	4	R/W	0	Debug Mode Enable	
BB_DEBUG_MODE	3:1	R/W	0	Support 8 sets debug mode.	
BB_OUT_L_R_SEL	0	R/W	0	Debug Mode, Adding L or R output 16bits in digital function	

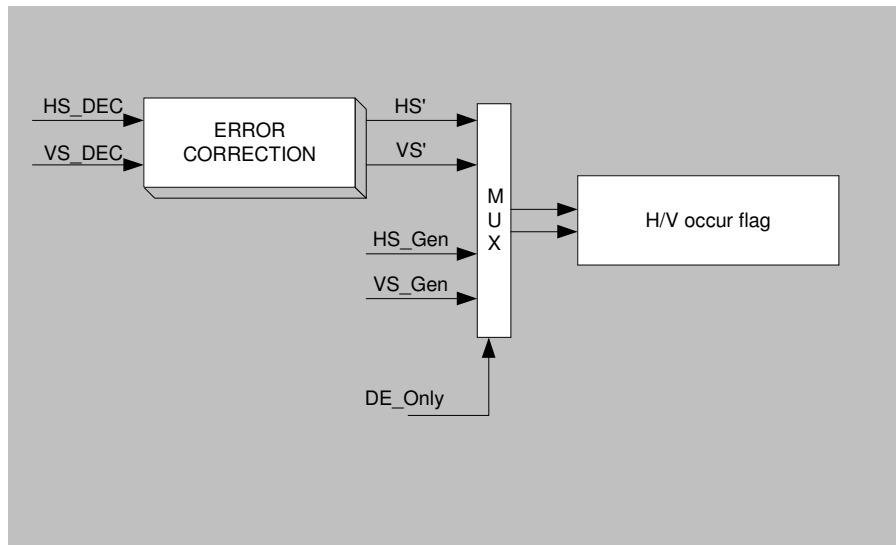
Register:: BIST_CONTROL 0xFA					
Name	Bits	R/W	Default	Comments	Config
BB_BIST_MODE	7	R/W	0	0: Disable 1: Enable	
BB_BIST_RST_N	6	R/W	1	0: Reset 1: No Reset	
BB_BIST_DONE	5	R	0	0: BIST is running 1: BIST done	
BB_BIST_FAIL	4	R	0	0: BIST ok 1: BIST fail	

BB_FT_EN	3	R/W	0	For FT and test performance ° 1:Input PCM data from test pin in. 0:PCM data from digital circuit.	
BB_48PIN_MODE	2	R/W	0	1:16bits TEST IN (PCM DATA). 0:22bits TEST IN. (PCM DATA)	BB_48PIN_MODE
Reserved	1:0	--	0	Reserved	



Overall HDMI System Function Block (Page 2)





Register: TMDS_MSR		0XA1		
Name	Bits	R/W	Reset State	Comments
TMM	7	R/W	0	Transition measurement method 0: Measure the number of transition for N-clock duration (TMDS_NCP[3:0]) 1: Measure the number of transition smaller than 16/64 clock period (TMDS_CTC) for 1-frame duration
MT	6:4	R/W	0	Measure times(exponential of 2) 000: 1 001: 2 010: 4 011: 8 100: 16 101: Not available 110: Not available 111: Not available This function will do bit [6:4] times, each time lasts for bit [3:0]/12 ms.
NCP	3:0	R/W	0	Numbers of Clock Period, measurement duration (where clock frequency is 12Khz) 0000: 16 0001: 1 0010: 2 0011: 3 1111: 15 This function will do bit [6:4] times, each time lasts for bit [3:0]/12 ms.

Register: TMDS_MRR0		0XA2		
Name	Bits	R/W	Reset State	Comments
TMS	7	R/W	0	Transition Measurement 0: Stop measure, Cleared after finish (Default) 1: Start measure
MRS	6:5	R/W	0	Measure Result Select 00: AVE Value (Default)

				01: Max Value 10: Min Value
MS	4:3	R/W	0	Measure Select 00: Measure Hsync transition times before error correction. 01: Measure Hsync transition times after error correction. 10: Measure Data Enable transition times before error correction. 11: Measure Data Enable transition times after error correction.
Reserved	2:1	---		Reserved
CTC	0	R/W	0	Criterion of Transition Count , duration smaller than 0: 16 clock 1: 64 clock

Register: TMDS_MRR1 0XA3				
Name	Bits	R/W	Reset State	Comments
Reserved	7	---	0	Reserved
VMR	6:0	R	0	Value Of Measure Result [6:0] (Item refer to MS)

Register:: TMDS_CTRL 0XA4				
Name	Bits	R/W	Reset State	Comments
BCD	7	R	x	B-Channel Detect (DE low 128 clock)(write 1 clear) 0:no 1:yes
GCD	6	R	x	G Channel Detect (DE low 128 clock)(write 1 clear) 0: no 1:yes
RCD	5	R	x	R Channel Detect (DE low 128 clock)(write 1 clear) 0: no 1: yes
HO	4	R	x	Hsync Occur (write 1 clear) 0: no 1: yes
YO	3	R	x	Vsync Occur (write 1 clear) 0: no 1: yes
CRCTS	2:1	R/W	0	CRC Type Select 00: do CRC only with DE 01: do CRC only with DIEN (Data Island Enable) 10: do CRC with both DE and DIEN 11: reserved
CRCC	0	R/W	0	CRC Check

Register:: TMDS_CRCOB2 0XA5				
Name	Bits	R/W	Reset State	Comments
CRCOB2	7:0	R	--	1 st read=> Output CRC-48 bit 47~40 2 nd read=> Output CRC-48 bit 39~32 3 rd read=> Out put CRC-48 bit 31~24 4 th read=> Out put CRC-48 bit 23~16 5 th read=> Out put CRC-48 bit 15~8 6 th read=> Out put CRC-48 bit 7~0

- The read pointer should be reset when 1. CRC Output Byte is written 2. CRC Check starts.
- The read back CRC value address should be auto-increase, the sequence is shown above

Register:: TMDS_OUTCTL 0XA6				
Name	Bits	R/W	Reset State	Comments
AOE	7	R/W	0	Auto Output Enable 0: Disable (Default) 1: Enable
TRCOE	6	R/W	0	TMDS R Channel Output Enable 0: Disable (Default) 1: Enable
TGCOE	5:	R/W	0	TMDS G Channel Output Enable 0: Disable (Default) 1: Enable
TBCOE	4	R/W	0	TMDS B Channel Output Enable 0: Disable (Default) 1: Enable
OCKE	3	R/W	0	OCLK Enable 0: Disable (Default) 1: Enable
OCKIE	2	R/W	0	OCLK Invert Enable 0: Normal (Default) 1: Enable
Reserved	1	R/W	0	Reserved
CLK25XI NV	0	R/W	0	Input 1x Clock Invert 0: No Invert (Default) 1: Invert

Register: TMDS_PWDCTL 0xA7				
Name	Bits	R/W	Reset State	Comments
DEO	7	R/W	0	DE-only: Generate VS/HS from DE signal 0: Disable (Default) 1: Enable
BRCW	6	R/W	0	B/R channel swap 0: No swap (Default) 1: Swap
PNSW	5	R/W	0	P/N Swap 0:No swap(Default) 1:swap
ICCAF	4	R/W	0	Input Channel control by auto function 0: Manual 1: Auto (Default)
ECC	3	R/W	0	Enable Clock channel: turn on clock channel PLL (For manual use) 0: Disable (Default) 1: Enable
ERIP	2	R/W	0	Enable Red input port (For manual use, cut off 50ohm internal resistor) 0: Disable (Default) 1: Enable
EGIP	1	R/W	0	Enable Green input port (For manual use, cut off 50ohm internal resistor) 0: Disable (Default) 1: Enable
EBIP	0	R/W	0	Enable Blue input port (For manual use, cut off 50ohm internal resistor)

				0: Disable (Default) 1: Enable
--	--	--	--	-----------------------------------

Register:: TMDS_ACC0 0XA8				
Name	Bits	R/W	Reset State	Comments
Reserved	7:0	--	--	Reserved

Register:: TMDS_ACC1 0XA9				
Name	Bits	R/W	Reset State	Comments
Reserved	7:0	--	--	Reserved

Register:: TMDS_ABC 0xAA				
Name	Bits	R/W	Reset State	Comments
Reserved	7:0	R/W	--	Reserved to 0

Register:: TMDS_ACC2 0XAB				
Name	Bits	R/W	Reset State	Comments
Reserved	7:0	R/W	--	Reserved to 0

Register:: TMDS_Z0CC2 0xAC				
Name	Bits	R/W	Reset State	Comments
DDCDBN C	7	R/W	1	HDCP DDC DEBOUNCE 0: Disable 1: Enable
HDE	6	R/W	0	HDMI/DVI function enable (HDCP enable is moved to HDCP) 0: Disable, gated clock and cut off TMDS pull up resistor for saving power. 1: Enable,
Reserved	5:0	R/W	--	Reserved to 0

Register:: TMDS_CPS 0xAD				
Name	Bits	R/W	Reset State	Comments
PLL_DIV2_ EN	7	R/W	0	HDMI output clock div 2 (enable this register if 2x clock is needed) 0: disable 1: enable
RESERVED	6:0	--	0	Reserved.

Register:: TMDS_RPS 0xAE				
Name	Bits	R/W	Reset State	Comments
Reserved	7:0	--	0	Reserved to 0

Register:: TMDS_WDC 0xAF				
Name	Bits	R/W	Reset State	Comments

Reserved	7:0	--	0	Reserved to 0
----------	-----	----	---	----------------------

Register 0xB0~0xB3 are reserved.

Register:: TMDS_DPC0		0XB4		
Name	Bits	R/W	Reset State	Comments
dpc_pp	7:4	R	0	PP value of HDMI 1.3 Deep color mode. (If dpc_auto(0xB8[2]) ==0, this bit is R/W; otherwise, it is read-only)
dpc_cd	3:0	R	0	CD value of HDMI 1.3 Deep color mode. (If dpc_auto(0xB8[2]) ==0, this bit is R/W; otherwise, it is read-only)

Register:: TMDS_UDC0		0XB5		
Name	Bits	R/W	Reset State	Comments
dpc_bypass_dis	7	R/W	0	Disable Deep Color Mode 0: disable 1: enable
reserved	6:3	--	0	Reserved.
CPTEST	2	R	0	CPTEST 0: normal mode, in which clock and data from analog are used. 1: select TSTCKIN/TSTDIN as input 2X5 clock and data respectively, for TESTING.
HMTM	1:0	R/W	0	HDCP MP TESTING MODE Force CTL[3:0] always equal to 00:Original 01:CTRL=1001 10:CTRL=1000 11:CTRL=0000

Register:: TMDS_UDC1		0xB6		
Name	Bits	R/W	Reset State	Comments
no_clk_in	7	R	0	No clock input. 0: normal, 1: no clock
cdr_rdy_red	6	R	0	CDR ready of red channel
cdr_rdy_grn	5	R	0	CDR ready of green channel
cdr_rdy_blu	4	R	0	CDR ready of blue channel
reserved	3:0	--	0	Reserved.

Register:: TMDS_UDC2		0XB7		
Name	Bits	R/W	Reset State	Comments
NL	7:5	R/W	0	ERRC_SEL<1:0> 000: original signal 001: 1 cycle debouncing 010: 1+8 cycle debouncing 011: 1+8 cycle debouncing + de masking transition of vs/hs

				100: 1+8 cycle debouncing + de masking transition of vs/hs + masking first 8-line de
NLFW	4:0	R/W	0	DEBUG_SEL

Register:: TMDS_DPC1 0XB8				
Name	Bits	R/W	Reset State	Comments
reserved	7:4	--	0	Reserved.
dpc_clk_source	3	R/W	0	Select the reference clock of deep color pll 0: recovered tmds clock 1: original tmds clock
dpc_auto	2	R/W	1	0: manual mode (CD/PP/default_phase fields are specified by FW) 1: auto mode (CD/PP/default_phase are directly decoded by HW)
dpc_default_phase	1	R/W	0	Default Phase of HDMI 1.3 Deep color mode. (If dpc_auto(0xB8[2]) ==0, this bit is R/W; otherwise, it is read-only)
dpc_pp_valid	0	R/W	0	Phase valid of HDMI 1.3 Deep color mode. (If dpc_auto(0xB8[2]) ==0, this bit is R/W; otherwise, it is read-only)

HDCP 1.3 (Page 2)

Register:: HDCP_CR				0XC0
Name	Bits	R/W	Reset State	Comments
Reserve	7	R	0	Reserved.
Reserve	6	R	0	Reserved.
IVSP	5	R	0	Indicate VSYNC Polarity 0: Positive, which means VS pulse is high. 1: Negative
INVVS	4	R/W	0	Invert VSYNC for HDCP High: Inverted Low: Not Inverted
IVSPM	3	R/W	0	Indicate VSYNC Polarity Mode: High: manual, decided by INVVS Low: auto, indicate by IVSP
MADDF	2	R/W	0	MCU Access DDC data first 0: enable DDC channel and MCU access only when DDC is not busy 1: disable DDC channel and MCU access only
DKAPDE	1	R/W	0	Device Key Access Port download enable High: enable Low: disable, this would reset the address of Device Key Access Port to 0.
Enable	0	R/W	0	HDCP Enable High: Auto Enable HDCP function, when Tx I2C write Aksv, Low: Disable HDCP, except for output.

Register:: HDCP_DKAP				0XC1
Name	Bits	R/W	Reset State	Comments
DKAP	7:0	R/W	0	When enable device key accessing 40x56 table, the 56-bit key table will be transferred to 64-bit pseudo data with 7 th , 15 th , 23 rd , 31 st , 39 th , 47 th , 55 th bits inserted. The inserted data are '0'. And the write sequence is: {D0-Byte0, D0-Byte1, D0-Byte2, D0-Byte3, D0-Byte4, D0-Byte5, D0-Byte6, D0-Byte7}, {D1-Byte0, D1-Byte1, D1-Byte2, D1-Byte3, D1-Byte4, D1-Byte5, D1-Byte6, D1-Byte7}, Accessing this port must be coded/decoded by REALTEK protection code.

Register:: HDCP_PCR				0xC2
Name	Bits	R/W	Reset State	Comments
Rev	7:5	---		Reserved
ENC_TOG	4	R	0	ENC toggled.
AVMUTE_DIS	3	R/W	1	Auto enc_dis when AVMUTE 0: non active 1: active
DDCSEL	2:0	R/W	0	DDC Channel SEL for Key Access 00: DDCSCL1/DDCSDA1 01: DDCSCL2/DDCSDA2 1x: Reserved.
APAI	0	R/W	0	HDCP Accessing Port Auto Increase (For Host Side)

				0: auto increase 1: keep in the same address.
--	--	--	--	--

Register:: HDCP_AP 0XC3				
Name	Bits	R/W	Reset State	Comments
AP	7:0	R/W	0	Address port for embedded HDCP access, auto increase after DATA_PORT being accessed. (For Host Side controlled by APAI)

Register:: HDCP_DP 0XC4				
Name	Bits	R/W	Reset State	Comments
DP	7:0	R/W	0	Data port for embedded HDCP access

Note :

1. When accessing this DDC register map by DDC, the address should increase automatically, except for the first accessing address is KSV_FIFO, 0x43.

Following register is assigned by “HDCP-address port”, “HDCP-data port”

Register:: HDCP_FCR 0xC0				
Name	Bits	R/W	Reset State	Comments
Reserved	7	R	--	Reserved
FC	6:0	R	0	HDCP_frame counter[6:0]

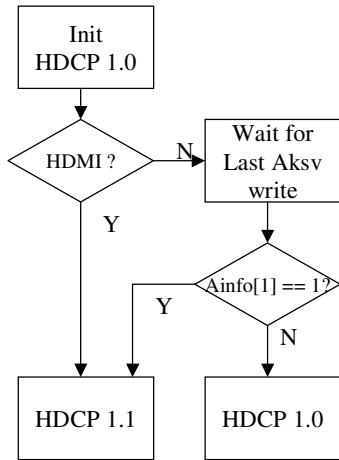
Register:: HDCP_SIR 0xC1				
Name	Bits	R/W	Reset State	Comments
AST	7	R	0	Authst (Means bksv of RTD pass Tx authorization, Tx is ready to do HDCP transaction)
AKM	6	R	0	Authkm (Means RTD finish computing KM, ri) //Hidden
ADNE	5	R	0	Authdone (means TX admitted ri value, start to do HDCP transmission)
REA	4	R/W	0	RE_AUTH
ENCM	3	R/W	0	ENC_Method
ENCE	2	R	0	ENC_ERROR
NC	1	R	0	NO_CTRL(HDCP1.0: no ctrl[3], HDCP1.1: ctrl is not 1001 nor 0001)
IB	0	R	0	Internal buffer for Ainfo[1]. Since Ainfo[1] in DDC port is 0 at most of time, we need to know what Tx wrote.

HDCP 1.1/1.0 decide flow.

1. If HDMI conditions happen, HDCP 1.1 is used.
2. When last byte of Aksv is written, Ainfo[1] indicates HDCP 1.0/1.1 mode.

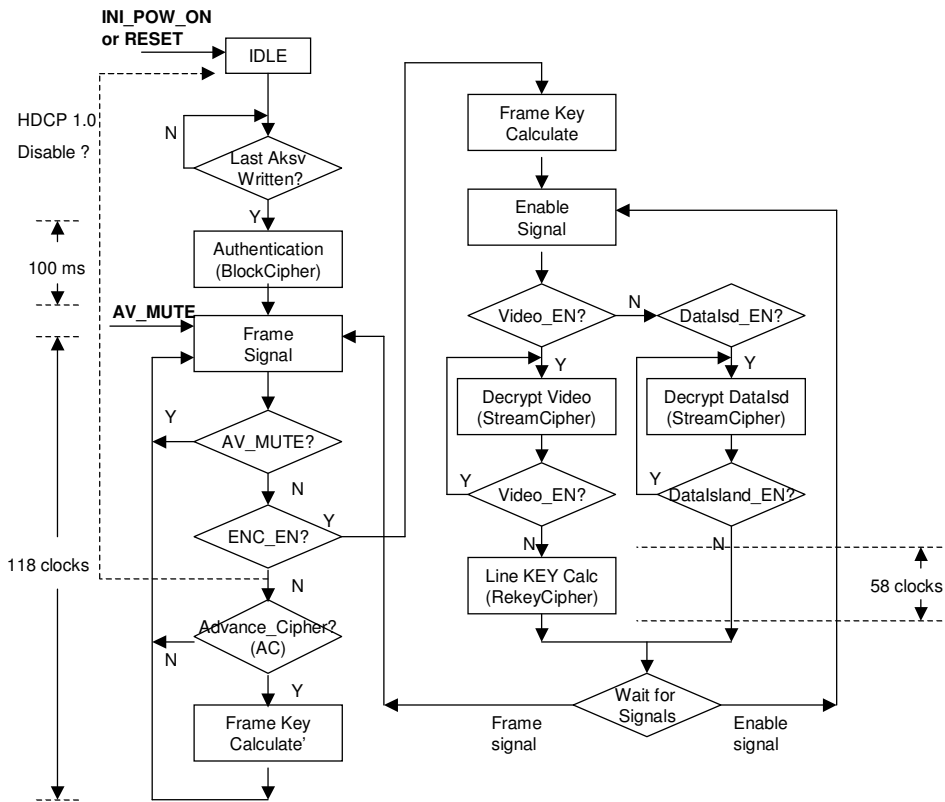
OESS is the same as HDCP 1.0. We could tell it by Ainfo[1] in DDC.

HDCP 1.0/1.1 decide flow (Before Auth)



Initial flow.

HDCP Total Flow



HDCP 1.0/1.1 difference

Item	Description	HDCP 1.0	HDCP 1.1

1	Fast Reset	No constraint in 1.0	It must be done
2	DDC : Ainfo	Useless	Double buffer
3	DDC : Pj	No this feature	Update per 16 frames
4	DDC : Bcaps[1]	No this feature	It is used to tell if Rx supports 1.1
5	DDC : Bstatus	No this feature	HDMI mode mapping
6	DDC : short read	Read Ri.	Read Ri & Pj.
7	OESS/EESS	Only OESS compatible	Depend on DDC info. Sync.
8	Support protocol	DVI (DE only)	DVI & HDMI (DE & DIEN)
9	CTLx position	CTL3 follows VS	All info must be in opp. window.
10	Error correction	No the requirement	Error correction for ENC_EN/DIS
11	VS polarity distinguishment	No clear description	1. init is neg. 2. VS debouncing befor DE. 3. VS por for open opp window.
12			
13			
14			

Frame counter

HDCP 1.0 : Increase by VS(CTL3).

HDCP 1.1 : In OESS mode, increase by ENC_EN

In EESS mode, increase when a. AV_MUTE = false.

& b. AC = 1 or ENC_EN = 1.

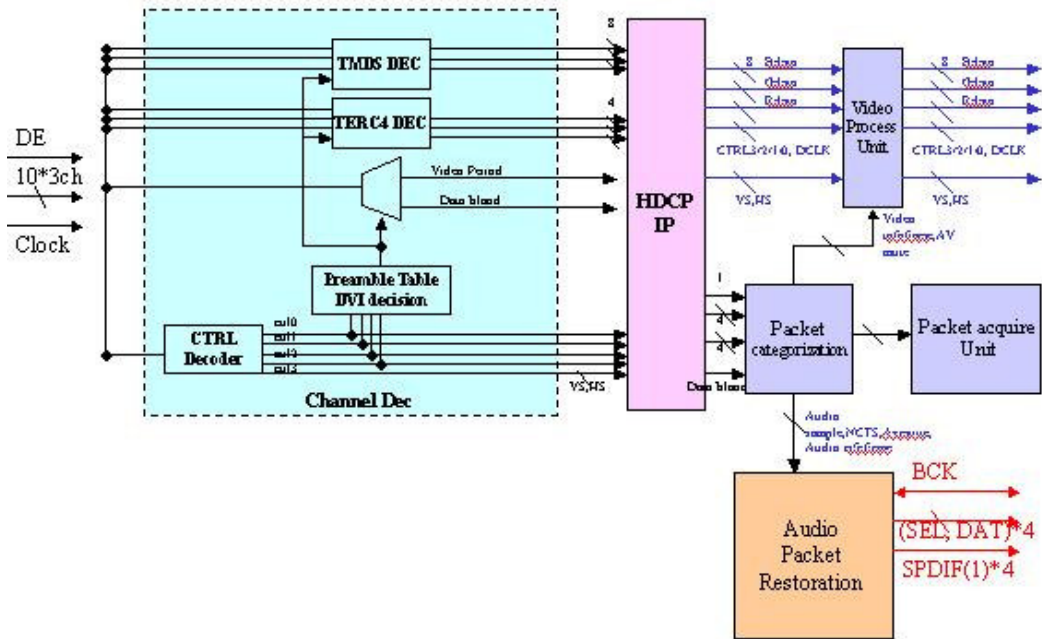
NOTE :

1. HDCP output must be always enable for DVI/HDMI.
2. The sub-descriptions i of Ri & j of Pj are the same.

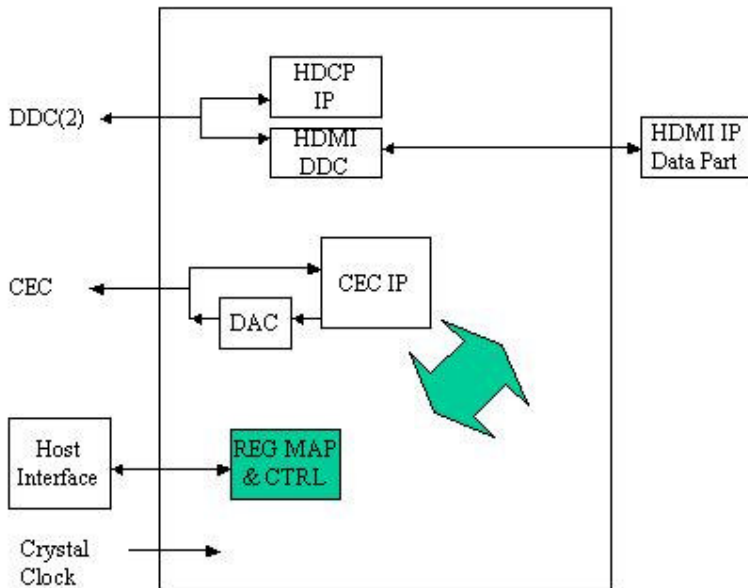


HDMI Video and Audio Part (Page 2)

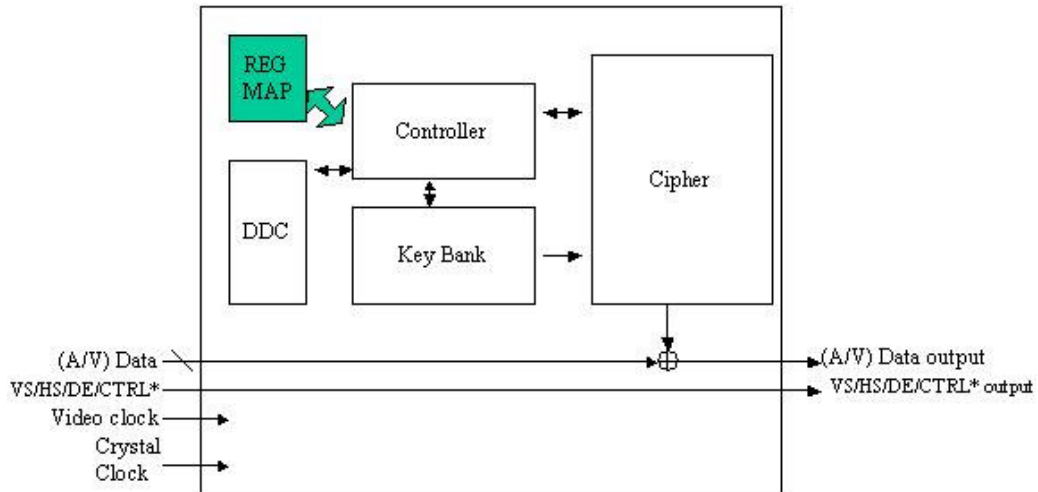
HDMI IP Data Part



HDMI IP Control Part



HDCP IP



Register:: HDMI_APC		0xC8		
Name	Bits	R/W	Reset State	Comments
Reserved	7:1	R/W	0	Reserved to 0

AAIF	0	R/W	0	Address auto increase function 0: If read/write “HDMI data port” continuously without assign “HDMI address port”, address would be not added by one automatically. 1: If read/write “HDMI data port” continuously without assign “HDMI address port”, address would be added by one automatically.
------	---	-----	---	---

Register:: HDMI_AP 0xC9				
Name	Bits	R/W	Reset State	Comments
AP	7:0	R/W	0	Address port for HDMI

Register:: HDMI_DP 0xCA				
Name	Bits	R/W	Reset State	Comments
DP	7:0	R/W	0	Data port for HDMI

HDMI Register in Address Data Port

Access Addr.	Name	Description
0x00	HDMI_SCR	System Control
0x01	HDMI_N_VAL	N times of Condition A
0x02	HDMI_BCHCR	BCH Control Bits
0x03	HDMI_AFCR	Audio Flow Control
0x04	HDMI_AFSR	Audio FIFO Status
0x05	HDMI_MAGCR	Manual Audio Gain Coefficient
0x06	HDMI_AAGCR	Auto Audio Gain Control
0x10	HDMI_CMCRR	Clock MUX Control
0x11	HDMI_MCAPR	M Code of Audio PLL
0x12	HDMI_SCAPR	S Code of Audio PLL
0x13	HDMI_DCAPR0	MSB of D Code of Audio PLL
0x14	HDMI_DCAPR1	LSB of D Code of Audio PLL
0x15	HDMI_PSCR	Phase Swallow Control
0x16	HDMI_FDDR	FIFO Depth at DE Rising
0x17	HDMI_FDDF	FIFO Depth at DE Falling
0x18	HDMI_MFDDR	Maximum FIFO Depth at DE Rising
0x19	HDMI_MFDDF	Minimum FIFO Depth at DE Falling
0x1A	HDMI_FTR	FIFO Trend Register
0x1B	HDMI_FBR	FIFO Boundary Register
0x1C	HDMI_ICPSNCR0	I Code of Phase Swallow and N/CTS Register 0

0x1D	HDMI_ICPSNCR1	I Code of Phase Swallow and N/CTS Register 1
0x1E	HDMI_PCPSNCR0	P Code of Phase Swallow and N/CTS Register 0
0x1F	HDMI_PCPSNCR1	P Code of Phase Swallow and N/CTS Register 1
0x20	HDMI_ICTPSR0	I Code of Trend for Phase Swallow Register 0
0x21	HDMI_ICTPSR1	I Code of Trend for Phase Swallow Register 1
0x22	HDMI_PCTPSR0	P Code of Trend for Phase Swallow Register 0
0x23	HDMI_PCTPSR1	P Code of Trend for Phase Swallow Register 1
0x24	HDMI_ICBPSR0	I Code of Boundary for Phase Swallow Register 0
0x25	HDMI_ICBPSR1	I Code of Boundary for Phase Swallow Register 1
0x26	HDMI_PCBPSR0	P Code of Boundary for Phase Swallow Register 0
0x27	HDMI_PCBPSR1	P Code of Boundary for Phase Swallow Register 1
0x28	HDMI_NTx1024TR0	Number of Tx in 1024 Tv Register 0
0x29	HDMI_PCBPSR1	Number of Tx in 1024 Tv Register 1
0x2A	HDMI_STBPR	Stop Time for Boundary PE Register
0x2B	HDMI_NCPER	N and CTS Phase Error Register
0x2C	HDMI_PETR	Phase Error Threshold Register
0x2D	HDMI_AAPNR	Action for Audio PLL Non-Lock Register
0x2E	HDMI_APDMCR	Audio PLL Debug Mode Control Register
0x30	HDMI_AVMCR	Audio and Video Mute Control Register
0x31	HDMI_WDCR0	Watch Dog Control Register 0
0x32	HDMI_WDCR1	Watch Dog Control Register 1
0x33	HDMI_WDCR1	Watch Dog Control Register 2
0x34	HDMI_DBCR	HDMI Double Buffer Control Register
0x35	HDMI_APTMCR0	Audio PLL Test Mode Control Register 0
0x36	HDMI_APTMCR1	Audio PLL Test Mode Control Register 1
0x38	HDMI_DPCR0	DPLL Control Register 0
0x39	HDMI_DPCR1	DPLL Control Register 1
0x3A	HDMI_DPCR2	DPLL Control Register 2
0x3B	HDMI_DPCR3	DPLL Control Register 3
0x40	HDMI_AWDSR	Audio Watch Dog Status Register
0x41	HDMI_VWDSR	Video Watch Dog Status Register
0x42	HDMI_PAMICR	Packet Acquire Mechanism Interrupt Control Register
0x43	HDMI_PTRSV1	Packet Type of RSV1 Packet
0x44	HDMI_PTRSV2	Packet Type of RSV2 Packet

0x45	HDMI_PVGCR0	Packet Variation Global Control Register 0
0x46	HDMI_PVGCR1	Packet Variation Global Control Register 1
0x47	HDMI_PVGCR2	Packet Variation Global Control Register 2
0x48	HDMI_PVSR0	Packet Variation Status Register 0
0x49	HDMI_PVSR1	Packet Variation Status Register 1
0x4A	HDMI_PVSR2	Packet Variation Status Register 2
0x50	HDMI_VCR	Video Control Register
0x51	HDMI_ACRCR	ACR Control Register
0x52	HDMI_ACRSR0	ACR Status Register 0
0x53	HDMI_ACRSR1	ACR Status Register 1
0x54	HDMI_ACRSR2	ACR Status Register 2
0x55	HDMI_ACRSR3	ACR Status Register 3
0x56	HDMI_ACRSR4	ACR Status Register 4
0x57	HDMI_ACS0	Audio Channel Status 0
0x58	HDMI_ACS1	Audio Channel Status 1
0x59	HDMI_ACS2	Audio Channel Status 2
0x5A	HDMI_ACS3	Audio Channel Status 3
0x5B	HDMI_ACS4	Audio Channel Status 4
0x60	HDMI_INTCR	HDMI Interrupt Control Register
0x61	HDMI_ALCR	Audio Layout Control Register
0x62	HDMI_AOCR	Audio Output Control Register
0x70	HDMI_BCSR	HDMI Basic Coding Status Register
0x71	HDMI_ASR0	Audio Status Register 0
0x72	HDMI_ASR1	Audio Status Register 1

Register:: HDMI_SR				0xCB
Name	Bits	R/W	Reset State	Comments
Reserved	7	---	0	Reserved
AVMUTE	6	R	0	AV_MUTE flag of General Control Packet 0: If HW receive Clear_AVMUTE flag of General Control Packet ,this bit shall assign to 0 until HW receive Set_AVMUTE 1: If HW receive Set_AVMUTE flag of General Control Packet ,this bit shall assign to 1 until HW receive Clear_AVMUTE Note : If HW never receives “General Control Packet”, this bit shall set to 0. If HW receive “General Control Packet” with Clear_AVMUTE flag = 0 & Set_AVMUTE flag = 0, this bit shall keep previous value.

				If HW receive "General Control Packet" with Clear_AVMUTE flag = 1 & Set_AVMUTE flag = 1, this bit shall keep previous value, but set "General Control Packet error flag".
VIC	5	R	0	If VIC(In AVI Infoframe) is different with pervious value ,this bit would be assigned to 1 until clear this bit. (write 1 clear for each bit)
SPDIFTYPE	4	R	0	SPDIF coding type 0: LPCM 1: Non-LPCM
PLLSTS	3	R	0	PLL status. This bit is global status, we could watch more detail information in PLL detail status byte. (write 1 clear for each bit) 1: non-lock 0: lock
AFIFOOF	2	R	0	0: Audio FIFO isn't overflow for X samples 1: Audio FIFO is overflow for X sample (write 1 clear for each bit) If audio FIFO has stayed at overflow state for X-sample periods, this bit would be set to '1' until F/W clear this bit.
AFIFOUF	1	R	0	0: Audio FIFO isn't underflow for Y samples 1: Audio FIFO is underflow for Y sample (write 1 clear for each bit) If audio FIFO has stayed at underflow state for Y-sample periods, this bit would be set to '1' until F/W clear this bit.
MODE	0	R	0	HDMI/DVI mode detected by auto function, even in manual mode, this bit could indicate decision of auto function. 0: DVI 1: HDMI

FW should read "PLL status" after 0.66ms~3 ms from FW clear this bit.

Register:: HDMI_GPVS					0xCC
Name	Bits	R/W	Reset State	Comments	
NPS	7	R	0	Null Packet Status	
PIS	6:5	R	0	Packet Input Status 6: RSV1 received 5: RSV0 received	
PVS	4:0	R	0	Packet Variation Status 0: AVI infoframe 1: Audio infoframe 2: ACP 3: ISRC1 4: MPEG infoframe	

Note. Write 1 Clear

"Packet variation status":

- "Packet variation status" means packet content variation, bit4 ~ bit 0 corresponds to AVI info-frame, audio info-frame, ACP, ISRC1, and MPEG info-frame respectively.
- Before FW process the corresponding action item, FW should clear the corresponding bit of "Global Packet variation status".
- Then FW read the content of the corresponding packet, polling "Global Packet variation status", check if corresponding bit of "Global Packet variation status" is 0, and execute follow-up action item if .this bit is 0.
- Jump to step 2 if this bit is 1.
- The variation result appears in "Global Packet variation status" after the corresponding packet finish transmitting.

"Packet input status":

- "Packet input status" represents updated status of RSV1, RSV0 respectively. If it is updated, "Packet input status" is assigned to 1 until F/W clear this bit.
- "Null Packet status":When receive null packet , "Null Packet status" is assigned to 1until F/W clear this bit
- If one bit of "Packet variation status" is cleared, the corresponding bit of "local variation flag for detail info" is also cleared.

Register:: HDMI_PSAP					0xCD
----------------------	--	--	--	--	------

Name	Bits	R/W	Reset State	Comments
APSS	7:0	R/W	0	Address for Packet Storage SRAM

Register:: HDMI_PSDP 0xCE				
Name	Bits	R/W	Reset State	Comments
DPSS	7:0	R	0	Data Port for Packet Storage SRAM

BCH is stored in the 1st address of each packet type, its content is stated as following:
 Bit0: 2-bit error for bch header (0: 2-bit error doesn't occur; 1: 2-bit error occurs)
 Bit1: 2-bit error for bch block 0 (0: 2-bit error doesn't occur; 1: 2-bit error occurs)
 Bit2: 2-bit error for bch block 1 (0: 2-bit error doesn't occur; 1: 2-bit error occurs)
 Bit3: 2-bit error for bch block 2 (0: 2-bit error doesn't occur; 1: 2-bit error occurs)
 Bit4: 2-bit error for bch block 3 (0: 2-bit error doesn't occur; 1: 2-bit error occurs)
 Bit5: checksum result (0: checksum error doesn't occur; 1: checksum error occurs)

Packet Type and Address

Packet type	Variation status	Storage (byte) (+ means BCH)	Address needed (8 bits/add)	Address
AVI info	9+1(global)	16+	17	0~16
Audio info	4+1	8+	9	17~25
ACP	3+1	4+	5	26~30
ISRC1	1+1	18+	19	31~49
ISRC2	X	18+	19	50~68
MPEG info	3+1	8+	9	69~77
RSV0	1, only global	30+	31	78~108
RSV1	1, only global	30+	31	109~139

Table 2 Packet Type and Address SRAM map Table

Following register is assigned by “HDMI-address port”, “HDMI-data port”

Register:: HDMI_SCR 0x00				
Name	Bits	R/W	Reset State	Comments
Reserved	7:4	--	0	Reserved to 0
MODE	3	R/W	0	HDMI/DVI switch mode 0: Auto detect flow is as fig.1 1: Manual
MSMODE	2	R/W	0	Manual switch HDMI/DVI 0: DVI 1: HDMI
CABS	1	R/W	0	DVI/HDMI condition A, B select 0: condition A: Detect data island preamble + data island guard band (appear count is decided by “N”) condition B: Detect if data island preamble + data island guard band

				<p>appear in continuous 30 or 2 frames(decide by bit 0)</p> <p>1: condition A: Detect data island preamble + data island guard band & video preamble + video guard band(appear count is decided by "N")</p> <p>condition B: Detect if data island preamble + data island guard band & video preamble + video guard band appear in continuous 30 or 2 frames(decide by bit 0)</p>
FCDDIP	0	R/W	0	<p>Frame count to detect data island packet (Condition B)</p> <p>0: 2 frames</p> <p>1: 30 frames</p>

1. HDMI/DVI auto switch mode , the information must be passed to HDCP :

DVI/HDMI decision flow is shown as below.

DVI/ HDMI decide flow

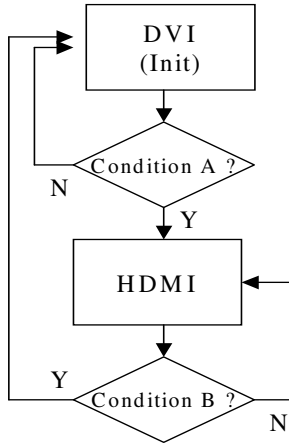


Fig 1

2. Power Saving for HDMI/HDCP :

In Power saving mode, TMDS channel Green/Red are always turn off. HDMI is power down.

There are only TMDS clock input frequency detect and channel blue DE decoder working.

The channel blue DE decoder is active after clock frequency is OK.

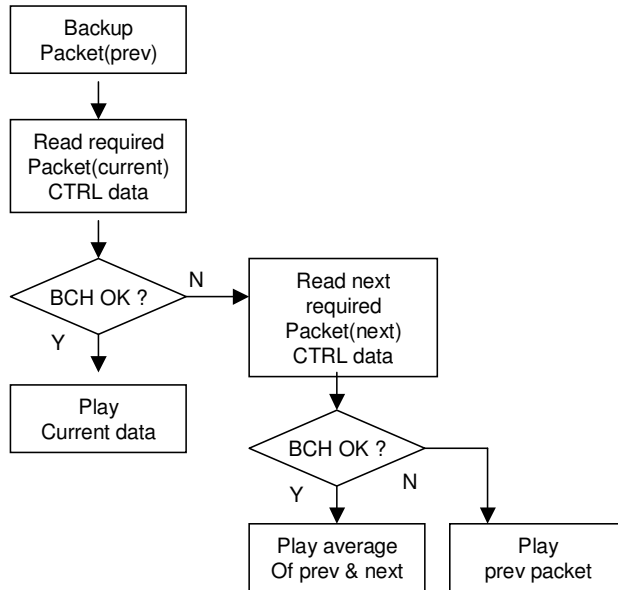
Register:: HDMI_N_VAL 0x01				
Name	Bits	R/W	Reset State	Comments
NVAL	7:0	R/W	1	N= 00 : X 01 : 1 FF : 255 N = 1 ~ 255 , N can't be assigned to 0x00

Register:: HDMI_BCHCR 0x02				
Name	Bits	R/W	Reset State	Comments
Reserved	7:6	---	0	Reserved to 0
SPCSS	5	R/W	0	SPDIF preamble channel status Source , When PLL is non-lock 0: Input audio sample (normal) 1: Internal system
ENRWE	4	R/W	0	Enable noise reduction when BCH error is greater than one. 1: Enable noise reduction 0: Disable noise reduction
BCHE	3	R/W	1	BCH function enable 1: Enable BCH function 0: Disable BCH function, bit[2:1] are always 2'b00.
BCHES	2	R	0	BCH function's result, one bit error. It is set by this case, and cleared by write 1. This bit is the result of ORing 5 bits BCH 1 bit error.

				1: One bit error occurs. 0: No error occurs Note: If BCH detect 1-bit error, this bit would be assigned to 1 until clear this bit
BCHES2	1	R	0	BCH function's result, two bits error. It is set by this case, and cleared by write 1. This bit is the result of ORing 5 bits BCH 1 bit error. 1: 2-bit error occurs 0: 2-bit error don't occurs If BCH detect 2-bit error, this bit would be assigned to 1 until clear this bit
PE	0	R/W	0	The processing for Packet with two or more BCH error (not include Audio packet) 1: Block Info frame message 0: As correct frame, decided by F/W NOTE! Audio samples always go to FIFO

Register:: HDMI_AFCR				0x03
Name	Bits	R/W	Reset State	Comments
Reserved	7	---	0	Reserved to 0
AOEM	6	R/W	1	Audio Output Enable mode 1: Auto audio output flow, bit[5:0] could be assigned by HW, but couldn't be assigned by FW. 0: Manual audio output flow, bit[5:0] could be assigned by FW, but couldn't be assigned by HW.
AOC	5	R	0	Audio output on/off control 0: Audio output off, cut off audio output immediately in "manual audio output flow", and audio output is turned on by auto audio output flow gradually in "auto audio output flow". 1: Audio output on, switch on audio output immediately in "manual audio output flow", and audio output is turned on by auto audio output flow gradually in "auto audio output flow".
AUDIO_TEST_ENABLE	4	R/W	1	0:Disable 1:Generate sine wave to IIS/SPDIF internally This is assigned to "1" in IIS/SPDIF test mode, but it is assigned to "0" in normal mode.
MGC	3	R/W	0	Manual Gain control 1: Enable gain control, gain is decided by "Manual Audio Gain coefficient" 0: Disable gain control, gain = 1
AFIFOWE	2	R/W	0	Audio FIFO write enable 0: Disable, no audio sample would go in audio FIFO. This bit would clear Audio FIFO status, including read/write address, ovfl, unfl, and etc. 1: Enable FIFO audio Write, and enable bit[1:0] function, read control . (If buffer write to target depth, new data read out action is controlled by bit1).
AFIFORE	1:0	R/W	0	Audio FIFO read enable, this bit is only active when bit[2] = 1, 00: No audio frequency read, only drop old data when new data in. 01: Audio sample which read form FIFO repeats previous sample, only drop old data when new data in. 1x: Use audio frequency to read out FIFO.

Audio noise reduction 1



Register:: HDMI_AFSR		0x04		
Name	Bits	R/W	Reset State	Comments
Reserved	7:6	---	0	Reserved
BISTR	5	R	1	Audio FIFO BIST Result 0: fail 1: success
BISTS	4	R/W	0	Audio FIFO BIST Start (embedded test pattern) 0: stop 1: start(auto clear)
AFIFO F	3	R	0	Audio FIFO Full (write clear) 0: Indicate FIFO is not full. 1: Indicate FIFO is full.
AFIFO E	2	R	0	Audio FIFO Empty(write clear) 0: Indicate FIFO is not empty. 1: Indicate FIFO is empty.
Reserved	1:0	---	0	Reserved to 0

Register:: HDMI_MAGCR		0x05		
Name	Bits	R/W	Reset State	Comments
MG	7:0	R/W	0	Manual Gain. Unsigned floating. NOTE, gain value here is always less than 1. 8'h00 = 0 8'hFF = 1 - 2^-8

Only valid when “Manual Gain control” is enabled in “manual audio output flow”

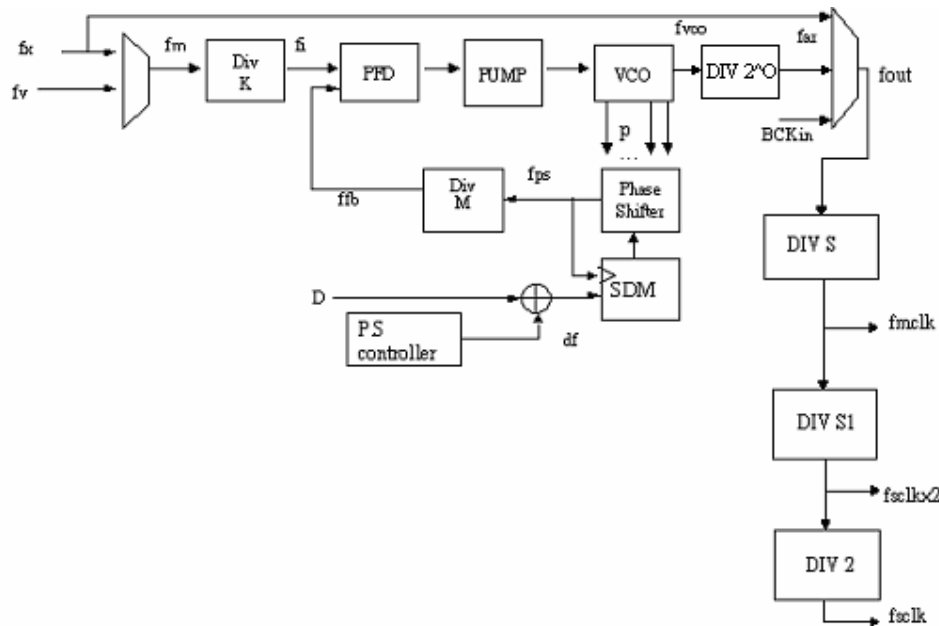
Register:: HDMI_MAGCR		0x06		
Name	Bits	R/W	Reset	Comments

			State	
Reserved	7:6	---	0	Reserved to 0
AGI	5:3	R/W	4	Auto Gain Incremental 000 : 2^{-8} 001 : 2^{-7} 010 : 2^{-6} ... 111 : 2^{-1}
AGD	2:0	R/W	4	Auto Gain Delay 000 : 2^0 sample 001 : 2^1 samples 010 : 2^2 samples ... 111 : 2^7 samples The total meanings of this byte are: When function is on, gain increase from 0 to 1 with 'incremental' per 'delay'. When function is off, gain decrease from 1 to 0 with '-inc' per 'delay'. So that the default value means increase 2^{-5} per 16 samples.

Only valid in "auto audio output flow"



Audio Clock Regeneration



Definition :

fx : frequency of crystal

fv : frequency of video

fa : audio frequency

fout : $128 * fa$

far : recovered $128 * fa$

fm : freq. of mux-clock

fvco : frequency after VCO

fps : frequency after P.S

ffb : feed back frequency

P.S : Phase Swallow

p : number of phase

D : P.S density, shift D phase per cycle

df : fine tune of D

T* : Period of f*

NOTE!!! Signed number and detail procedures are not ready.

Register:: HDMI_CMCR		0x10		
Name	Bits	R/W	Reset State	Comments
ICMUX	7	R/W	0	Input Clock MUX 1: use video clock as input 0: use crystal clock as input
OCS	6:5	R/W	2	Output Clock Select 00: use crystal clock as output clock. 01: use BCKin as output clock 1X: use generated clock, far, as output clock (must set when power-saving)
DBDCB	4	R/W	0	Double Buffer Download Control Bit Enable is also triggered by HW, ref. "Phase error mode". 1: write current data to active buffer. 0: after write done, this bit would be cleared automatically. When set this bit to 1, "K", "S", "S1", "M", "D", "O", "DPLLBPn", "In/out clk mux", "Phase tracking enable control bits" would fill in after finish current audio PLL cycle and then set this bit to 0.
KCAPLL	3:0	R/W	3	K Code of Audio PLL , the value set here adding 1 is real div value 0000: div 2 1111: div 17

				If “DPLLBPn” == 1'b1, no div, else, div number is decided by these four bits.
--	--	--	--	---

NOTE:

1. When reading the registers with double buffers, the read-out value is the value in the 2nd buffer, not the value just written.
2. The meaning of default value of registers with double buffers is that default values of both 1st registers and 2nd buffer are the value written in spec.

Register:: HDMI_MCAPR 0x11				
Name	Bits	R/W	Reset State	Comments
MC	7:0	R/W	4E	M Code 00: div 2 FF: div 257

Register:: HDMI_SCAPR 0x12				
Name	Bits	R/W	Reset State	Comments
SLC	7	R/W	0	S1 code 0: div 1 1: div 2
SC	6:0	R/W	5	S/2 code

Register:: HDMI_DCAPR0 0x13				
Name	Bits	R/W	Reset State	Comments
DCAPR	7:0	R/W	0	D[15:8]

Register:: HDMI_DCAPR1 0x14				
Name	Bits	R/W	Reset State	Comments
DCAPR	7:0	R/W	0	D[7:0]

Register:: HDMI_PSCR 0x15				
Name	Bits	R/W	Reset State	Comments
FDINT	7:5	R/W	7	When max. FIFO depth increase for n times or min. FIFO depth decrease for n times, turn FIFO tracking mechanism 000 : xx 001 : n=2, don't use this value for normal case 010 : n=3 011 : n=4 100 : n=5 101 : n=6 110 : n=7 111 : n=8
ETCN	4	R/W	0	Enable tracking of CTS & N 0: disable. 1: enable.
ETFD	3	R/W	0	Enable tracking of the trend of FIFO depth 0: disable. 1: enable.
ETFBC	2	R/W	0	Enable tracking of FIFO boundary condition (This bit is suggested to be 1) 0: disable. 1: enable.
PECS	1:0	R/W	1	Phase error count source(CTS & N) 00 : phase error counted by video clock 01 : phase error counted by crystal clock

				10 : phase error counted by fps/4, fdds 11 : It is too fast, about 500MHz,to be used
--	--	--	--	---

Note. Phase tracking control bits is bit4~bit2.

Register:: HDMI_FDDR 0x16				
Name	Bits	R/W	Reset State	Comments
FDDR	7:0	R	0	FIFO depth at DE rising, this unit is number of samples,

Register:: HDMI_FDDF 0x17				
Name	Bits	R/W	Reset State	Comments
FDDF	7:0	R	0	FIFO depth at DE falling

Register:: HDMI_MFDDR 0x18				
Name	Bits	R/W	Reset State	Comments
MFDDR	7:0	R	0	Max. FIFO depth at DE rising. Auto clear to 0x00 when up-trend is confirmed and frequency up is triggered. Write 1 to clear this byte as 0x00.the clear action needs video clock to work.

Register:: HDMI_MFDDF 0x19				
Name	Bits	R/W	Reset State	Comments
MFDDF	7:0	R	0	Min. FIFO depth at DE falling. Auto clear to 0xFF when down-trend is confirmed and frequency down is triggered. Write 1 to clear this byte as 0x00.the clear action needs video clock to work. Write 1 to clear.

Register:: HDMI_FTR 0x1A				
Name	Bits	R/W	Reset State	Comments
TL2DER	7:6	R	0	Trend of latest 2 DE rising. 0X: the same 10: trend down, which means FIFO depth goes lower and lower. 11: trend up, which means FIFO depth goes larger and larger.
TL2DEF	5:4	R	0	Trend of latest 2 DE falling. 0X: the same 10: trend down, which means FIFO depth goes lower and lower. 11: trend up, which means FIFO depth goes larger and larger.
TT	3:0	R/W	7	Target times for summation of one trend to decide the trend. Times = value set + 1 0000 : 1, 1111 : 16

Register:: HDMI_FBR 0x1B				
Name	Bits	R/W	Reset State	Comments
TFD	7:3	R/W	E	Target FIFO depth, the unit is 4 address, and 16 bits in one address.
BAD	2:0	R/W	2	Boundary address distance for triggering Audio PLL tracking where boundary address= value set * 4, and 16 bits per address. 4 bytes*16 bits is one sample. When the value is 2,number of sample is 0,1,31,and 32 will trigger boundary condition. Value 0 can't be used.

Register:: HDMI_ICPSNCR0 0x1C				
Name	Bits	R/W	Reset State	Comments

IC	7:0	R/W	0	I code of N/CTS [15:8]
----	-----	-----	---	------------------------

Register:: HDMI_ICPSNCR1 0x1D				
Name	Bits	R/W	Reset State	Comments
IC	7:0	R/W	0	I code of N/CTS [7:0]

Register:: HDMI_PCPSNCR0 0x1E				
Name	Bits	R/W	Reset State	Comments
PC	7:0	R/W	0	P code of N/CTS [15:8]

Register:: HDMI_PCPSNCR1 0x1F				
Name	Bits	R/W	Reset State	Comments
PC	7:0	R/W	0	P code of N/CTS [7:0]

Register:: HDMI ICTPSR0 0x20				
Name	Bits	R/W	Reset State	Comments
ICT	7:0	R/W	0	I code of trend [15:8]

Register:: HDMI ICTPSR1 0x21				
Name	Bits	R/W	Reset State	Comments
ICT	7:0	R/W	0	I code of trend [7:0]

Register:: HDMI PCTPSR0 0x22				
Name	Bits	R/W	Reset State	Comments
PCT	7:0	R/W	0	P code of trend [15:8]

Register:: HDMI PCTPSR1 0x23				
Name	Bits	R/W	Reset State	Comments
PCT	7:0	R/W	0	P code of trend [7:0]

Register:: HDMI ICBPSR0 0x24				
Name	Bits	R/W	Reset State	Comments
ICB	7:0	R/W	0	I code of boundary [15:8]

Register:: HDMI ICBPSR1 0x25				
Name	Bits	R/W	Reset State	Comments
ICB	7:0	R/W	0	I code of boundary [7:0]

Register:: HDMI PCBPSR0 0x26				
Name	Bits	R/W	Reset State	Comments
PCB	7:0	R/W	0	P code of boundary [15:8]

Register:: HDMI PCBPSR1 0x27				
Name	Bits	R/W	Reset State	Comments
PCB	7:0	R/W	0	P code of boundary [7:0]

Register:: HDMI_NTx1024TR0 0x28				
Name	Bits	R/W	Reset State	Comments
Reserved	7:4	---	0	Reserved to 0
RM	3	R/W	0	Restart measure. Measure the length of 1024 Tv by crystal. The result is readable from the following bits. 1: enable measure. Writing 1 would clear the answer. This bit would be auto cleared after measure done. 0: indicating measure is done.
NT	2:0	R	0	Number of Tx for 1024 Tv [10:8], (How many Tx = 1024 * Tv)

Register:: HDMI_NTx1024TR1 0x29				
Name	Bits	R/W	Reset State	Comments
NT	7:0	R/W	0	Number of Tx for 1024 Tv [7:0], (How many Tx = 1024 * Tv)

Register:: HDMI_STBPR 0x2A				
Name	Bits	R/W	Reset State	Comments
FTB	7:0	R/W	0	The fast time for boundary df repeating. The unit is 16 crystal clock. 8'h00: 16 crystal clock. 8'h7F: 128 * 16 crystal clock.

Register:: HDMI_NCPER 0x2B				
Name	Bits	R/W	Reset State	Comments
NCPER	7:0	R	0	Phase error equals how many numbers of measuring clock, PE[7:0]

NOTE!! The active PI code of CTS&N would have proportional alike relation with Phase error.

The value of this byte is record of the maximum value after last write.

Write this byte when fpec exists would clear the value to 0.

When "pe_mode"==1, delay mode, the max value of phase error is 40.

When "pe_mode"==1, clock mode, the max value of phase error is FF.

Register:: HDMI_PETR 0x2C				
Name	Bits	R/W	Reset State	Comments
PETR	7:0	R/W	FF	Phase error threshold of audio PLL non-lock

If "Phase error" is greater than phase error threshold, "PLL status" would be automatically assigned to 1 until FW clear it.

Register:: HDMI_AAPNR 0x2D				
Name	Bits	R/W	Reset State	Comments
CMVTC	7	R/W	0	Clear max value (18, 19) when trend condition is sure. 1: Enable trend to clear max value 0: Disable this function
CMVBC	6	R/W	0	Clear max value (18, 19) when boundary condition is sure. 1: Enable boundary to clear max value 0: Disable this function
SSDMOU	5	R	0	Flag of sum_r of SDM overflow/underflow (Read only) 1: Overflow or underflow happened 0: No overflow, no underflow
TEF	4	R/W	0	Trend Error Flag 1: Detect up and down at the same time. Clear only when disable SDM (2D[1] = 0) 0: Trend is ok.
WIC5	3	W	0	Write 1 to clear bit [5]

PEM	2	R/W	0	Phase Error Mode. 1: Use delay to calculate, each unit is 0.1 ns. 0: Use clock to calculate, the clock select is at “PE count source”.
ESDM	1	R/W	0	Enable SDM(phase swallow) 1: Enable 0: Disable, there won't be phase swallow operating in the loop of PLL.
Reserved	0	---	0	Reserved

Register:: HDMI_APDMCR				0x2E
Name	Bits	R/W	Reset State	Comments
Reserved	7:6	---	0	Reserved
EDM	5	R/W	0	Enable Debug Mode 0: Normal run 1: Enable when test mode
PST	4	R/W	0	Phase swallow trend 0: Fast direction 1: Slow direction
PSC	3:0	R/W	0	Phase Swallow Cycle. Any bit is set to 1 for swallow, 0 for hold.

Behavior description of audio PLL non-clock

When system receive new audio or video timing , audio PLL would non-lock ,and watch dog mechanism would force audio output to mute state(I2S DAC: MCLK,SCLK, and LRCK normal output, but SDATA output zero),so system should provide a stable fout to I2S DAC in audio mute state.

In the transition form normal fout to mute fout , fout frequency couldn't change too much, for this reason ,HW provide double buffers of mechanism of “ K”, “S”, “S1”, “M”, “D”, “O”, “DPLLBPn”, “In/out clk mux”, “Phase tracking enable control bits”.

For initial state, a stable fv input to audio PLL, and audio PLL would lock by use suitable “KMSDO”&PI code.The suitable “KMSDO” could be named as “KMSDO1”,and it would save in 2nd buffer(The value of 2nd buffer could be applied to audio PLL directly , and that of 1st buffer is used to backup, when “double buffer download control bit” is assigned to 1,the value of 1st buffer would be downloaded to 2nd buffer).F/W should calculate “KMSDO2” of crystal clock input to produce a fout which is the same as present fout ,then save KMSDO2 in 1st buffer of KMSDO, F/W also assign “phase tracking control bits” to 000'b in 1st buffer, and assign “input clock mux” to “crystal input” in 1st budder.

When audio PLL is non-lock(change audio frequency or video frequency),the 1st buffer content of “KMSDO”, “phase tracking control bits”, and “input clock mux” would download to their corresponding 2nd buffers. Then audio PLL would switch input to crystal in, apply KMSDO2,and disable phase tracking at the same time, and provide a stable fout to I2SDAC foe mute state.

In mute state, F/W calculate KMSDO(KMSDO3) of new audio or video timing, assign KMSDO3 in 1st buffer of KMSDO, F/W also assign “enable setting” in 1st buffer of phase tracking enable control, and assign “video input” to second buffer of input clock mux.

Assign PI code, then double buffer download control bit is assigned to 1, audio PLL would switch input to video in, apply KMSDO3, and disable phase tracking at the same time, and provide a fout for new video and audio timing.

Register:: HDMI_AVMCR					0x30					
Name	Bits	R/W	Reset State	Comments						
Reserved	7	--	0	Reserved						
AOC	6	R/W	0	Audio output enable/disable control 1: Enable 0: Disable If this bit is enabled, audio output signal would be controlled by bit4. When FW set this bit to 1, then HW will return this bit to 0 if audio PLL non-lock if audio PLL non-lock.						
AOMC	5	R/W	0	Audio Output Mute Control 1: Normal output 0: Mute If bit 5 is 0, output of I2S & SPDIF shall be disabled regardless of 1 or 0 in this bit for “auto audio output flow”. When FW set this bit to 1, then HW will return this bit to 0 if audio PLL is non-lock						
AWD	4	R/W	0	If Audio Watch Dog event occur, audio output would be 0: Mute 1: Disable						
VE	3	R/W	0	Video Enable 1: Enable video output 0: disable video output						
AMPIC	2	R/W	0	Audio Mute Pin Invert Control, execute when mute/disable happens. 0: when event (audio mute or disable) occur, set this pin to low voltage, others maintain high. 1: when event (audio mute or disable) occur, set this pin to high voltage, others maintain low						
VDPIC	1	R/W	0	Video Disable Pin Invert Control 0: when event (video disable) occurred, set this pin to low voltage, others maintain high. 1: when event (video disable) occurred, set this pin to high voltage, others maintain low.						
NFPSS	0	R/W	0	IRQ Output Pin Polarity Inverse 0: no inverse, which means H : IRQ, L : no IRQ 1: inverse, which means H : no IRQ L : IRQ						

Definition:

Disable Video Assign “DE pins”, “VS pin”, “HS pin”, “CTRL(4) pins”, “CLK pin”, “Data(24) pins” to zero, refer to “Global System”

- Mute Audio**
- In I2S application, keep MCLK*4, SCLK*4, and LRCK*4 to normal output, but cut SDATA*4 to zero.
 - In SPDIF application, keep preamble(M,B,W) to normal output, but cut other bits to zero.

Disable Audio I2S => assign MCLK*4, SCLK*4, and LRCK*4 and SDATA*4 to zero.

SPDIF => Assign all bits to zero.

Register:: HDMI_WDCR0				0x31
Name	Bits	R/W	Reset State	Comments
ASMFE	7	R/W	1	Auto SET_AVMUTE function enable 0: If HW receives SET_AVMUTE flag, don't mute/disable audio & disable video by HW. 1: If HW receives SET_AVMUTE flag, mute/disable audio & disable video by HW. <i>Note:</i> If "CLEAR_AVMUTE" and "SET_AVMUTE" of the General Control Packet are all 1, keep previous A/V output state, and pull up "General Control Packet error flag"
Reserved	6	---	1	Reserved to 1
Reserved	5	---	0	Reserved to 0
AWDCT	4	R/W	0	Audio watch dog for audio coding type(Decode from SPDIF, code type only include LPCM or Non-LPCM) 0: If coding type is different with previous type, don't mute/disable audio by HW. 1: If coding type is different with previous type, mute/disable audio by HW.
AWDAP	3	R/W	0	Audio Watch dog enable for audio PLL 0: If audio PLL is non-lock, don't mute/disable audio by HW. 1: If audio PLL is non-lock, mute audio , mute/disable audio by HW.
AWDFO	2	R/W	0	Audio watch dog function for audio FIFO overflow for "X" sample. 0: If audio FIFO is overflow for X samples , don't mute/disable audio by HW. 1: If audio FIFO is overflow for X samples, mute/disable audio by HW.
AWDFU	1	R/W	0	Audio watch dog function for audio FIFO underflow for "Y" sample. 0: If audio FIFO is underflow for Y samples, don't mute/disable audio by HW. 1: If audio FIFO is underflow for Y samples, mute/disable audio by HW.
CT	0	R/W	0	"SPDIF coding type" is decoded by 0: Channel status bit 1 1: Valid bit

Audio/Video watch dog for "packet acquire mechanism" is listed in Packet acquire mechanism Unit.

Register:: HDMI_WDCR1				0x32
Name	Bits	R/W	Reset State	Comments
AWDCK	7	R/W	0	Audio Watch Dog For TMDS clock 1: If TMDS clock disappears, mute or disable audio. 0: If TMDS clock disappears, doesn't mute or disable audio.
AWDLF	6	R/W	0	Audio Watch Dog For Layout Field Of Audio Sample Packet 1: If layout field is different with previous value, mute or disable audio. 0: If layout field is different with previous value, don't mute or disable audio.
Rev	5	---	0	Reserved
VWDACT	4	R/W	0	Video Watch Dog For Audio Coding Type 1: If coding type is different with previous type, disable video 0: If coding type is different with previous type, don't disable video
XV	3:0	R/W	0	X Value 0000: 1 0001: 3 ~

				1111: 31
--	--	--	--	----------

Register:: HDMI_WDCR2 0x33				
Name	Bits	R/W	Reset State	Comments
VWDAP	7	R/W	0	Video Watch dog enable for audio PLL 1: If audio PLL is non-lock, disable video 0: If audio PLL is non-lock, don't disable video
VWDLF	6	R/W	0	Video watch dog for layout field of audio sample packet 1: If layout field is different with previous value, disable Video. 0: If layout field is different with previous value, don't disable Video.
VWDAFO	5	R/W	0	Video watch dog function for audio FIFO overflow. 1: If audio FIFO is overflow for "X" samples, disable Video. 0: If audio FIFO is overflow for "X" samples, don't disable Video.
VWDAFU	4	R/W	0	Video watch dog function for audio FIFO underfloww . 1: If audio FIFO is underflow for "Y" samples, disable Video. 0: If audio FIFO is overflow for "Y" samples, don't disable Video
YV	3:0	R/W	0	Y value 0000:1 0001:3 ~ 1111:31

Register:: HDMI_DBCR 0x34				
Name	Bits	R/W	Reset State	Comments
Reserved	7:4	---	0	Reserved
ALDBFv	3	R/W	0	Auto Load Double Buffer when TMDS clock disappear 0: If TMDS clock disappear , don't assign "double buffer download control bit" to 1 by HW 1: If TMDS clock disappear, assign "double buffer download control bit" to 1 by HW. <i>Note:</i> If this bit is 0, "phase tracking control bits" shall be downloaded to 2 nd buffer by assigned "double buffer download control bit" to 1. If this bit is 1, "phase tracking control bits" shall be downloaded to 2 nd buffer by HW if fv < 25MHz or fv > 165MHz.
ALDBFO	2	R/W	0	Auto Load Double Buffer when FIFO overflow is for X samples. 0: If audio FIFO is overflow for X samples, don't assign "double buffer download control bit" to 1 by HW 1: If FIFO is overflow for X samples, assign "double buffer download control bit" to 1 by HW. <i>Note:</i> If this bit is 0, "phase tracking control bits" shall be downloaded to 2 nd buffer by assigned "double buffer download control bit" to 1. If this bit is 1, "phase tracking control bits" shall be downloaded to 2 nd buffer by HW if FIFO is overflow for X samples.
ALDBFU	1	R/W	0	Auto Load Double Buffer when FIFO underflow is for Y samples. 0: If audio FIFO is underflow for Y samples, don't assign "double buffer download control bit" to 1 by HW 1: If FIFO is underflow for Y samples, assign "double buffer download control bit" to 1 by HW. <i>Note:</i> If this bit is 0, "phase tracking control bits" shall be downloaded to 2 nd buffer by assigned "double buffer download control bit" to 1. If this bit is 1, "phase tracking control bits" shall be downloaded to 2 nd buffer by HW if FIFO is underflow for Y samples.
ALDBPN	0	R/W	0	Auto Load Double Buffer when PLL non-lock. This function needs crystal clock to work, which means it can't work when

				<p>power down. After PLL non-lock, 0: If audio PLL non-lock occurred, don't assign "double buffer download control bit" to 1 by HW 1: If audio PLL non-lock occurred, assign "double buffer download control bit" to 1 by HW. <i>Note:</i> If this bit is 0, "phase tracking control bits" shall be downloaded to 2nd buffer by assigned "double buffer download control bit" to 1. If this bit is 1, "phase tracking control bits" shall be downloaded to 2nd buffer by HW if "PLL status" is non-lock.</p>
--	--	--	--	--

Register:: HDMI_APTMCR0 0x35				
Name	Bits	R/W	Reset State	Comments
FPS	7:4	R/W	0	1 st phase shift amount for a step
SPS	3:0	R/W	0	2 nd phase shift amount for a step

Register:: HDMI_APTMCR1 0x36				
Name	Bits	R/W	Reset State	Comments
Reserved	7	---	0	Reserved
PLLTM	6	R/W	0	PLL test mode enable 1: enable 0: disable
FPSD	5	R/W	0	1 st phase shift direction 0: upwards 1: downwards
SPSD	4	R/W	0	2 nd phase shift direction 0: upwards 1: downwards
NFPSS	3:0	R/W	0	Number of 1 st phase shift step

In test mode, PLL shift its phase by 16 steps periodically. The steps which are performed in 1st phase each 16 steps could be assigned by "Number of 1st phase shift step", remaining steps are performed in 2nd phase.

Register:: HDMI_DPCR0 0x38				
Name	Bits	R/W	Reset State	Comments
DPLLC2	7	R/W	1	DPLLPWDN 0: power up 1: power down
DPLLC1	6	R/W	0	DPLLFREEZE 0: normal 1: freeze
DPLLC0	5:4	R/W	0	DPLLO div 2 ^(DPLLO)
DPLL_CAL BP	3	R/W	0	DPLL bypass calibration(active high)
DPLL_CAL SW	2	R/W	0	calibration validated (go high after power on 1200us)
DPLL_CAL LCH	1	R/W	0	latch calibration (go high after power on 1100us)
DPLL_CMP EN	0	R/W	0	cmp enable (go high after power on 1000us)

Register:: HDMI_DPCR1 0x39				
Name	Bits	R/W	Reset	Comments

			State	
DPLL_RS	7:5	R/W	3	DPLL Loop Filter Resister Control RS: 000:16K 001:18K 010:20K 011:22K 100: 24K 101: 26K 110:28K 111:30K
DPLL_CS	4:3	R/W	2	DPLL Loop Filter Capacitor Control CS= 00:18p, 01:20p, 10:24p, 11:28p
DPLL_IP	2:0	R/W	2	DPLL Charge Pump Current Control Icp=(2.5uA+2.5uA*bit[0]+5uA*bit[1]+10uA*bit[2]) Keep DPM/Icp constant=10.67

Register:: HDMI_DPCR2					0x3A
Name	Bits	R/W	Reset State	Comments	
DPLLSTATUS	7	R	0	DPLLSTATUS(DPLL WD Status) 0:Normal 1:Abnormal	
DPLLWDRST	6	R/W	0	DPLLWDRST(DPLL WD Reset) 0:Normal 1:Reset	
DPLLWDSET	5	R/W	0	DPLLWDSET(DPLL WD Set) 0:Normal 1:Set	
DPLL_VCOMD	4:3	R/W	3	DPLL VCO Default mode 00: VCO slowest, 11: VCO fastest	
DPLLRESERVE	2	R/W	1	DPLLRESERVE, phase swallow circuit clock select 0: fvco, default is 1 1: fps	
DPLLSTOP	1	R/W	1	DPLLSTOP(DPLL Frequency Tuning Enable) 0:Disable 1:Enable	
DPLL_CP	0	R/W	0	CP Control 0:CP=1.77pF 1:CP=2.1pF	

Register:: HDMI_DPCR3					0x3B
Name	Bits	R/W	Reset State	Comments	
DPLL_VO2	7	R	0	DPLL CAL OUT2	
DPLL_VO1	6	R	0	DPLL CAL OUT1	
DPLL_CAL	5:4	R	0	DPLL calibrated VCO code	
RESERVED	3	R/W	0	Reserved.	
DPLLBP	2	R/W	0	DPLLBP 0: divider K enable 1: divider K disable(K=1)	
DPLL_RESERVE1	1	R/W	0	DPLL_RESERVE1	
DPLLVCORSTB	0	R/W	0	RESET VCO (active high)	

Packet Acquire Mechanism

Register:: HDMI_AWDSR 0x40				
Name	Bits	R/W	Reset State	Comments
Reserved	7:5	---	0	Reserved to 0
AWDPVSB	4:0	R/W	0	Audio watch dog for Packet variation status bit

If a bit is assigned to 1 and the corresponding bit of “Global Packet variation status” is 1, audio output will be disabled/muted.

Register:: HDMI_VWDSR 0x41				
Name	Bits	R/W	Reset State	Comments
Reserved	7:5	---	0	Reserved to 0
VWDPVSB	4:0	R/W	0	Video watch dog for Packet variation status bit

If a bit is assigned to 1 and the corresponding bit of “Global Packet variation status” is 1, video output will be disabled.

Register:: HDMI_PAMICR 0x42				
Name	Bits	R/W	Reset State	Comments
Reserved	7:5	---	0	Reserved to 0
ICPVSB	4:0	R/W	0	IRQ control for Packet variation status bit

If a bit is assigned to 1 and the corresponding bit of “Global Packet variation status” is 1, issue IRQ signal.

Note: The corresponding bit of “Global Packet variation status” means bit0 maps to bit 0 of “Global Packet variation status ,bit1” maps to bit 1 of “Global Packet variation status”,...etc.

Register:: HDMI_PTRSV1 0x43				
Name	Bits	R/W	Reset State	Comments
PT	7:0	R/W	0	Packet Type of RSV1 packet

Register:: HDMI_PTRSV2 0x44				
Name	Bits	R/W	Reset State	Comments
PT	7:0	R/W	0	Packet Type of RSV2 packet

Register:: HDMI_PVGCR0 0x45				
Name	Bits	R/W	Reset State	Comments
PVSEF	7:0	R/W	FF	Bit7 ~ Bit0 of packet variation status enable flag

Register:: HDMI_PVGCR1 0x46				
Name	Bits	R/W	Reset State	Comments
PVSEF	7:0	R/W	FF	Bit15 ~ Bit8 of packet variation status enable flag

Register:: HDMI_PVGCR2 0x47				
Name	Bits	R/W	Reset State	Comments
Reserved	7:4	---	0	Reserved
PVSEF	3:0	R/W	F	Bit19 ~ Bit16 of packet variation status enable flag

When the bits of enable “Packet Variation Global Control Register” are set, the corresponding “Packet Variation Status Register” bits will OR to “Packet Variation Global Control Register”.

Register:: HDMI_PVSR0 0x48				
Name	Bits	R/W	Reset State	Comments

PVS	7:0	R	0	Bit7 ~ Bit0 of packet variation status
-----	-----	---	---	--

Register:: HDMI_PVSR1 0x49				
Name	Bits	R/W	Reset State	Comments
PVS	7:0	R	0	Bit15 ~ Bit8 of packet variation status

Register:: HDMI_PVSR2 0x4A				
Name	Bits	R/W	Reset State	Comments
Reserved	7:4	---	0	Reserved
PVS	3:0	R	0	Bit19 ~ Bit16 of packet variation status

There are 20 bits “Enable flags to global Packet variation”. Each bit is set to watching a standard type of received packet content, and checking if it changed from the previous received packet.

If received packet content changed from previous received one, the relative bit in “local variation flag for detail info.” register will be set, and it will trigger the “global packet variation status” set.

The following table presents the detail of “local variation flag for detail info.”

InfoFrame	Bit	Description
AVI	0	Y0Y1change
	1	A0,R0,R1,R2,R3 change
	2	S0,S1 any bit change
	3	C0,C1 change
	4	M0,M1 change
	5	VIC0 ~ VIC6 change
	6	PR0 ~ PR6 change
	7	SC1,SC0 change
	8	B0,B1,Top bar, bottom bar, left bar , right bar change
Audio	9	CC0~CC3 change
	10	CA0~CA7 change
	11	LSV0~LSV3 change
	12	DM_INH any bit change
ACP	13	ACP_Type change
	14	DVD-audio_type_dependent_generation change
	15	Copy_Permission, Copy_Number,Quality,& Transaction change
ISRC1	16	ISRC_status change
MPEG	17	MB#3~MB#0 change
	18	FR0 change
	19	MF1,MF0 change

Register:: HDMI_VCR 0x50				
Name	Bits	R/W	Reset State	Comments
EOI	7	R/W	0	EVEN/ODD Inverse 0: Normal

				1: Inverse
EOT	6	R	0	EVEN/ODD Toggle (write 1 clear) 0: Progressive 1: Interlace
SE	5	R	0	EVEN/ODD signal error (write 1 clear) 0: Normal 1: Error
RS	4	R/W	0	The reference signal for executing Info-frame automatically. 0: DEN 1: VSYNC
DSC	3:0	R/W	0	Down sample control (only valid if Video Down Sampling Auto Mode Disable) 0000: pixel down sample for 1 time(no down sample) 0001: pixel down sample for 2 times 0010: pixel down sample for 3 times 0011: pixel down sample for 4 times 0100: pixel down sample for 5 times 0101: pixel down sample for 6 times 0110: pixel down sample for 7 times 0111: pixel down sample for 8 times 1000: pixel down sample for 9 times 1001: pixel down sample for 10 times others : XXX

Register:: HDMI_ACRCR 0x51				
Name	Bits	R/W	Reset State	Comments
HDIRQ	7	R/W	0	HDMI/DVI change interrupt enable 0:disable 1:enable
CSAM	6	R/W	1	Color Space Translation 0: Manual 1: Auto
CSC	5:4	R/W	0	Color Space Control (if CSAM=1, CSC will be read-only) 00: RGB 01: YCrCb-422 10: YCrCb-444 11: Reserved
Reserved	3	--	0	Reserved to 0
PRDSAM	2	R/W	1	Pixel Repetition down sampling auto mode 1: auto, the circuit resolve the repeat number, and enable it in next frame. The result could be read in bits for repeat number. 0: manual, F/W sets repeat number, the number is set in bits for repeat number.
PUCNR	1	R/W	0	Pop up CTS&N result 0: No pop up 1: Pop up result (Pop up CTS&N which is acquired completely. If present N&CTS is acquiring, pop up previous complete N&CTS) If the info is updating, HW will refuse this command.
PUCSR	0	R/W	0	Pop up channel status result 0: No pop up 1: Pop up result (Pop up channel status which is acquired completely. If present channel status is acquiring, pop up previous complete channel status)

Register:: HDMI_ACRSR0 0x52				
Name	Bits	R/W	Reset State	Comments
CTS	7:0	R	0	CTS in usage, CTS[19:12]

Register:: HDMI_ACRSR1 0x53				
Name	Bits	R/W	Reset State	Comments
CTS	7:0	R	0	CTS in usage, CTS[11:4]

Register:: HDMI_ACRSR2 0x54				
Name	Bits	R/W	Reset State	Comments
CTS	7:4	R	0	CTS in usage, CTS[3:0]
N	3:0	R	0	N in usage, N[19:16]

Register:: HDMI_ACRSR3 0x55				
Name	Bits	R/W	Reset State	Comments
N	7:0	R	0	N in usage, N[15:8]

Register:: HDMI_ACRSR4 0x56				
Name	Bits	R/W	Reset State	Comments
N	7:0	R	0	N in usage, N[7:0]

Register:: HDMI_ACS0 0x57				
Name	Bits	R/W	Reset State	Comments
CS	7:0	R	0	Channel status bit7~ bit0

Register:: HDMI_ACS1 0x58				
Name	Bits	R/W	Reset State	Comments
CS	7:0	R	0	Channel status bit 15~ bit 8

Register:: HDMI_ACS2 0x59				
Name	Bits	R/W	Reset State	Comments
CS	7:0	R	0	Channel status bit23~ bit 16

Register:: HDMI_ACS3 0x5A				
Name	Bits	R/W	Reset State	Comments
CS	7:0	R	0	Channel status bit 31~ bit 24

Register:: HDMI_ACS4 0x5B				
Name	Bits	R/W	Reset State	Comments
CS	7:0	R	0	Channel status bit 39~ bit 32

Register:: HDMI_INTCR 0x60				
Name	Bits	R/W	Reset State	Comments
PENDING	7	R	0	When IRQ occurred, this bit would be assigned to 1 by HW, and IRQ would be pended until FW clear this bit.(write 1 clear)
AVMUTE	6	R/W	0	If get General control packet and the corresponding Set_AVMUTE flag & Clear_AVMUTE flag is different with previous values 0: IRQ don't occur. 1: IRQ occur.

FIFOD	5	R/W	0	If FIFO depth reach Target (Used for manual audio flow) 0: IRQ don't occur 1: IRQ occur
ACT	4	R/W	0	Audio Coding Type 0: If audio coding type is different with previous value, IRQ doesn't occur. 1: If audio coding type is different with previous value, IRQ occurs.
APLL	3	R/W	0	Audio PLL 0: If audio PLL is non-lock, IRQ doesn't occur 1: If audio PLL is non-lock, IRQ occurs
AFIFOO	2	R/W	0	Audio FIFO Overflow 0: If audio FIFO is overflow for X samples , IRQ doesn't occur. 1: If audio FIFO is overflow for X samples , IRQ occurs.
AFIFOU	1	R/W	0	Audio FIFO Underflow 0: If audio FIFO is underflow for Y samples , IRQ doesn't occur. 1: If audio FIFO is underflow for Y samples , IRQ occurs.
VC	0	R/W	0	1: If video clock is higher than 165Mhz or lower than 25Mhz (refer to NL), IRQ doesn't occur. 0: If video clock is higher than 165Mhz or lower than 25Mhz (refer to NL), IRQ occurs.

Register:: HDMI_ALCR					0x61				
Name	Bits	R/W	Reset State	Comments					
LO1	7:6	R/W	0	Speaker location of I2S #1 & SPDIF OUT#1 00: from SubPacket0 of Audio Sample Packet 01: from SubPacket1 of Audio Sample Packet 10: from SubPacket2 of Audio Sample Packet 11: from SubPacket3 of Audio Sample Packet					
LO2	5:4	R/W	1	Speaker location of I2S #2 & SPDIF OUT #2					
LO3	3:2	R/W	2	Speaker location of I2S #3 & SPDIF OUT #3					
LO4	1:0	R/W	3	Speaker location of I2S #4 & SPDIF OUT #4					

Register:: HDMI_AOCR					0x62				
Name	Bits	R/W	Reset State	Comments					
SPDIFO1	7	R/W	0	SPDIF 1 Output Switch 0: cutoff 1: normal					
SPDIFO2	6	R/W	0	SPDIF 2 Output Switch					
SPDIFO3	5	R/W	0	SPDIF 3 Output Switch					
SPDIFO4	4	R/W	0	SPDIF 4 Output Switch					
I2SO1	3	R/W	0	I2S 1 Output Switch 0: cutoff 1: normal					
I2SO2	2	R/W	0	I2S 2 Output Switch					
I2SO3	1	R/W	0	I2S 3 Output Switch					
I2SO4	0	R/W	0	I2S 4 Output Switch					

Register:: HDMI_BCSR					0x70				
Name	Bits	R/W	Reset State	Comments					
Reserved	7:6	---	0	Reserved to 0					
NVLGB	5	R	0	Video No Leading Guard Band If no leading GB after video preamble (It is only triggered in HDMI mode), this bit would be assigned to 1 until clear this bit Write 1 to clear.					
NALGB	4	R	0	Audio No Leading Guard Band If no leading GB after audio preamble (It is only triggered in HDMI					

				mode), this bit would be assigned to 1 until clear this bit Write 1 to clear.
NATGB	3	R	0	Audio No Trailing Guard Band If audio packets without trailing GB, this bit would be assigned to 1 until clear this bit. Write 1 to clear.
NGB	2	R	0	No Guard Band If any type of GB is not synchronous in 3 channels(audio is only 2 channel), this bit would be assigned to 1 until clear this bit. Write 1 to clear.
PE	1	R	0	Packet Error If size of Data Island Packet is not times of 32, this bit would be assigned to 1 until clear this bit. Write 1 to clear.
GCP	0	R	0	General Control Packet error flag: If HW receive General Control Packet with Clear_AVMUTE=1 & Set_AVMUTE=1 ,assign this bit to 1 until clear this bit Write 1 to clear.

Register:: HDMI_ASR0 0x71				
Name	Bits	R/W	Reset State	Comments
Reserved	7:3	---	0	Reserved to 0
FsRE	2	R	0	Fs Regeneration Error If CTS & N received 0, this bit would be assigned to 1 until clear this bit Write 1 to clear.
FsIF	1	R	0	Fs from InfoFrame If audio frequency from InfoFrame ready, this bit would be assigned to 1 until clear this bit Write 1 to clear.
FsCS	0	R	0	Fs from Channel Status If audio frequency from Channel Status ready, this bit would be assigned to 1 until clear this bit Write 1 to clear.

Register:: HDMI_ASR1 0x72				
Name	Bits	R/W	Reset State	Comments
Reserved	7	---	0	Reserved
FBIF	6:4	R	0	Frequency bits from info frame 000: refer to channel status bits 001: 32k 010: 44.1k 011: 48k 100: 88.2k 101: 96k 110: 176.4k 111: 192k
FBCS	3:0	R	0	Frequency bits from channel status. (pop up with channel status simultaneously) 0010: 22.05k 0000: 44.1k 1001: 88.2k 0011: 176.4k 0110: 24k 0100: 48k 0101: 96k 0111: 192k 1100: 32k

				1000: Sampling frequency not indicated
--	--	--	--	--

Register:: TMDS_DPC_SET0 0x80				
Name	Bits	R/W	Reset State	Comments
dpc_en	7	R/W	0	
phase_errcnt_in	6:4	R/W	0	Max. times of phase error to rise error flag 3'b000 → count 8 times 3'b001~3'b111 → count 1~7 times
phase_clrcnt_in	3:1	R/W	0	Max. times of sync. Signal to clear the phase error counter according to "phase_clr_sel" 3'b000 → count 8 times 3'b001~3'b111 → count 1~7 times
phase_clr_sel	0	R/W	0	Unit of "phase_clrcnt_in" 0: Use V sync 1: Use H sync

Register:: TMDS_DPC_SET1 0x81				
Name	Bits	R/W	Reset State	Comments
set_full_noti	7:4	R/W	0	Set full notifier level (recommend: 3'd7) 3'b000~3'b111 → set 0~7
set_empty_noti	3:0	R/W	0	Set empty notifier level (recommend: 3'd3) 3'b000~3'b111 → set 0~7

Register:: TMDS_DPC_SET2 0x82				
Name	Bits	R/W	Reset State	Comments
fifo_errcnt_in	7:5	R/W	0	Max. times of FIFO error to rise error flag 3'b000 → count 8 times 3'b001~3'b111 → count 1~7 times
clr_phase_flag	4	R/W	0	Clear phase error flag
clr_fifo_flag	3	R/W	0	Clear FIFO error flag
dpc_phase_ok	2	R	0	Phase locking OK

dpc_phase_err_flag	1	R	0	Become 1 when phase error than “phase_errcnt_in” number
dpc_fifo_err_flag	0	R	0	Become 1 when fifo error than “fifo_errcnt_in” number

Register:: TMDS_DPC_SET3					0x83
Name	Bits	R/W	Reset State	Comments	
dpc_fifo_over_flag	7	R	0	Become 1 when internal FIFO receive writing signal while it is full.	
dpc_fifo_under_flag	6	R	0	Become 1 when internal FIFO receive reading signal while it is empty.	
dpc_fifo_over_xflag	5	R	0	Become 1 when internal FIFO receive writing signal while it is full. If (fifo_under_xflag=1), this flag is not active.	
dpc_fifo_under_xflag	4	R	0	Become 1 when internal FIFO receive reading signal while it is empty. If (fifo_over_xflag=1), this flag is not active.	
Reserved	3:0	--	0	reserved	

LiveShow™ Control (Page 3)

Register::LS_CTRL0				0xA1
Name	Bits	Read/Write	Reset State	Comments
LS_BYPASS	7	R/W	0	Display Pixel Resolution 0: Bypass LiveShow™ Processing 1: Enable LiveShow™ Processing
LS_BUF_EN	6	R/W	0	Enable SDRAM Buffer Access 0: Disable 1: Enable
LS_PD_EST	5	R/W	0	Level Estimation 0: Disable 1: Enable
LS_CPRS_EN	4	R/W	0	Huffman Data Compression 0: Disable 1: Enable
LS_GAIN_EN	3	R/W	0	Delta Gain Adjustment 0: Disable (Delta Gain=1) 1: Enable
LS_DISP_RES	2	R/W	0	Display Pixel Resolution 0: 8-bit 1: 6-bit
SOURCE_RES	1:0	R/W	0	Source Pixel Resolution 00: 6bit 01: 5bit 1x: 4bit (Pixel Resolution after rounding in previous path. Pixel Resolution for Compression.)

Register::LS_CTRL1				0xA2
Name	Bits	Read/Write	Reset State	Comments
LS_IN_WIN	7	R/W	0	LiveShow™ Inside Highlight Window 0: Disable 1: Enable
LS_OUT_WIN	6	R/W	0	LiveShow™ Outside Highlight Window 0: Disable

				1: Enable
LS_OFST_EN	5	R/W	0	Offset Compensation 0: Disable 1: Enable
LS_NR_EN	4	R/W	0	Low-Bit Noise Reduction 0: Disable 1: Enable
LS_NR_MD	3	R/W	0	Low-Bit Noise Reduction Mode 0: RGB Independent Mode (Old mode: RTD2363-like) 1: RGB Related Mode (New Mode)
LS_NR_THD	2:0	R/W	0	Low-Bit Noise Reduction Threshold 000`b: 4 001`b: 6 010`b: 8 011`b: 10 100`b: 12 101`b: 14 110`b: 16 111`b: 18

Register::LS_CPRS_CTRL				0xA4
Name	Bits	Read/Write	Reset State	Description
IM_CPRS_TYPE	7	R/W	0	Compression Type 0: Channel G, R reference to B 1: 3 Independent Channels
LS_MEM_RES	6:5	R/W	0	SDRAM Pixel Resolution 00: 4-bit 01: 5-bit 1x: 6-bit (Effective only when LS_CPRS_EN=1, SDRAM pixel resolution must always equal or less than source pixel resolution (SOURCE_RES))
RGB_YC_SEL	4	R/W	0	New OD algorithm 0: RGB rounding/compression 1: YC rounding
DE_BUF_EMPTY_DLY	3	R/W	1	Decode buf empty flag delay option 0: no delay for decode pre buf empty flag

				1: delay until buf_wr_adr reach 15 to let empty flag be normal
LS_RSV_A4_20	2:0	R/W	0	Reserved

Register::TG_SIZE_H				0xA5
Name	Bits	Read/Write	Reset State	Description
LS_RSV_A5_71	7:1	R/W	0	Reserved
TG_SIZE_H	0	R/W	0	<p>Target Size for Compression (Unit: 64 bit)</p> <p>Threshold = $\{(\text{num_break} * 6) + \sum (\text{num_n} * \text{length_n})\} / 64 + 7$</p> <p>Note:</p> <ol style="list-style-type: none"> Header(2x64)+Dummy rounding Effect(3x64)+Reserved Block(2x64) = 7x64-bit num_n = number matched for code n criteria. length_n = length of code n, calculated by Huffman tree generation. num_break = number of pixel matched the break criteria. Max. target-size = 256 (unit: 64-bit) <p>Threshold must be set in even number</p>

Register::TG_SIZE_L				0xA6
Name	Bits	Read/Write	Reset State	Description
TG_SIZE_L	7:0	R/W	0x00	<p>Target Size for Compression (Unit: 64 bit)</p> <p>Threshold = $\{(\text{num_break} * 6) + \sum (\text{num_n} * \text{length_n})\} / 64 + 7$</p> <p>Note:</p> <ol style="list-style-type: none"> Header(2x64)+Dummy rounding Effect(3x64)+Reserved Block(2x64) = 7x64-bit num_n = number matched for code n criteria. length_n = length of code n, calculated by Huffman tree generation. num_break = number of pixel matched the break criteria. Max. target-size = 256 (unit: 64-bit) <p>Threshold must be set in even number</p>

Register::GRP_NUM_H				0xA7
Name	Bits	Read/Write	Reset State	Description
LS_RSV_A7_72	7:3	R/W	0	Reserved
GRP_NUM_H	2:0	R/W	0	Number of Pixel per Group to be Analyzed and Compressed. (max. group number = 1280)

Register::GRP_NUM_L 0xA8				
Name	Bits	Read/Write	Reset State	Description
GRP_NUM_L	7:0	R/W	0	Number of Pixel per Group to be Analyzed and Compressed. (max. group number = 1280)

Register::FAIL_CNT_H 0xA9				
Name	Bits	Read/Write	Reset State	Description
LS_RSV_A9_74	7:4	R/W	0	Reserved
FAIL_CNT_H	3:0	R	0	The Count of Compression Fail

Register::FAIL_CNT_L 0xAA				
Name	Bits	Read/Write	Reset State	Description
FAIL_CNT_L	7:0	R	0	The Count of Compression Fail (Updated when DVS occurred)

Compression Format:

{1}, {symbol0 3-bit code length, 7bit code}, ..., {symbol7 3-bit code length, 7bit code}, {B0 code}, {G0 code}, {R0 code}, {B1 code}, {G1 code}, {R1 code}....

Non-Compression Format:

{0}, {B0 4-bit MSB}, {G0 4-bit MSB}, {R0 4-bit MSB}, {B1 4-bit MSB}, {G1 4-bit MSB}, {R1 4-bit MSB}....

Register::LS_LUT_ROW_ADDR 0xAE				
Name	Bits	Read/Write	Reset State	Description
LS_LUT_ACS_EN	7	R/W	0	LUT Access Enable 0: Disabled 1: Enabled
LS_RSV_AE_66	6	R/W	0	Reserved
LS_LUT_ROW	5:0	R/W	0	LUT Row Selector(Current Frame as index)

Register::LS_LUT_COL_ADDR 0xAF				
Name	Bits	Read/Write	Reset State	Description
LS_LUT_SEL	7:6	R/W	0	LUT Channel Selector 00: Red Channel 01: Green Channel 10: Blue Channel

				11: All Channels
LS_LUT_COL	5:0	R/W	0	LUT Column Selector (Previous Frame as index)

Register::LS_LUT_DATA 0xB0				
Name	Bits	Read/Write	Reset State	Description
LS_LUT_DATA	7:0	R/W	0	LUT Data Port

Register::DELTA_GAIN 0xB1				
Name	Bits	Read/Write	Reset State	Description
LS_RSV_B1_77	7	R/W	0	Reserved
DELTA_GAIN	6:0	R/W	0	Delta Gain Setting 0x00 -> Gain = 0 0x40 -> Gain = 1 0x7F -> Gain = 127/64 (Effective only when LS_GAIN_EN=1)

Register::UDST_THD 0xB2				
Name	Bits	Read/Write	Reset State	Description
LS_RSV_B2_77	7	R/W	0	Reserved
UDST_THD	6:0	R/W	0	Undershoot Threshold (2's complement) 0x00 -> THD = 0 0x7F -> THD = -127 (Effective only when LS_OFST_EN = 1)

Register::OVST_THD 0xB3				
Name	Bits	Read/Write	Reset State	Description
LS_RSV_B3_77	7	R/W	0	Reserved
OVST_THD	6:0	R/W	0	Overshoot Threshold 0x00 -> THD = 0 0x7F -> THD = 127 (Effective only when LS_OFST_EN = 1)

Register::UDST_GAIN 0xB4				
Name	Bits	Read/Write	Reset State	Description
LS_RSV_B4_76	7:6	R/W	0	Reserved
UDST_GAIN	5:0	R/W	0	Undershoot Gain 0x00 -> Gain = 0/128

				0x3F -> Gain = 63/128 (Effective only when LS_OFST_EN =1)
--	--	--	--	--

Register::OVST_GAIN				0xB5
Name	Bits	Read/Write	Reset State	Description
LS_RSV_B5_76	7:6	R/W	0	Reserved
OVST_GAIN	5:0	R/W	0	Overshoot Gain 0x00 -> Gain = 0/128 0x3F -> Gain = 63/128 (Effective only when LS_OFST_EN =1)

Register::LS_STATUS0				0xB6
Name	Bits	Read/Write	Reset State	Comments
LS_RBUF_FULL	7	R	0	Set if BUF_R is full (On-line monitor)
LS_RBUF_EPTY	6	R	0	Set if BUF_R is empty (On-line monitor)
LS_RBUF_UDFW	5	R	0	Set if BUF_R is underflow
LS_WBUF_FULL	4	R	0	Set if BUF_W is full (On-line monitor)
LS_WBUF_EPTY	3	R	0	Set if BUF_W is empty (On-line monitor)
LS_WBUF_OVFW	2	R	0	Set if BUF_W is overflow
Reserved	1	--	0	Reserved
LS_STATUS0_RST	0	R/W	0	Write 1 to reset BUF and FIFO status (Auto clear after done)

Register::LS_STATUS1				0xB7
Name	Bits	Read/Write	Reset State	Comments
LS_RFIFO_FULL	7	R	0	Set if FIFO_R is full (On-line monitor)
LS_RFIFO_EPTY	6	R	0	Set if FIFO_R is empty (On-line monitor)
LS_RFIFO_OVFW	5	R	0	Set if FIFO_R is overflow before LS_RFIFO_UDFW is set
LS_RFIFO_UDFW	4	R	0	Set if FIFO_R is underflow before LS_RFIFO_OVFW is set
LS_WFIFO_FULL	3	R	0	Set if FIFO_W is full (On-line monitor)
LS_WFIFO_EPTY	2	R	0	Set if FIFO_W is empty (On-line monitor)
LS_WFIFO_OVFW	1	R	0	Set if FIFO_W is overflow before LS_WFIFO_UDFW is set

LS_WFIFO_UDFW	0	R	0	Set if FIFO_W is underflow before LS_WFIFO_OVFW is set
---------------	---	---	---	--

Register::LS_WTLVL_W				0xC0
-----------------------------	--	--	--	-------------

Name	Bits	Read/Write	Reset State	Comments
Reserved	7	--	0	Reserved
LS_WTLVL_W	6:0	R/W	0x40	When FIFO depth is over WTLVL, FIFO write data $((NUM*LEN)+REM) * 64 =$ one frame/line data The assigned value multiplied by 2 is the real value.

Register::LS_WTLVL_R				0xC1
-----------------------------	--	--	--	-------------

Name	Bits	Read/Write	Reset State	Comments
Reserved	7	--	0	Reserved
LS_WTLVL_R	6:0	R/W	0x40	When FIFO depth is over WTLVL, FIFO write data $((NUM*LEN)+REM) * 64 =$ one frame/line data The assigned value multiplied by 2 is the real value.

Register::LS_MEM_FIFO_RW_NUM_H				0xC2
---------------------------------------	--	--	--	-------------

Name	Bits	Read/Write	Reset State	Comments
LS_MFRW_NO_H	7:0	R/W	0x01	LS_MEM_FIFO_RW_NUM [15:8] The Read/Write times of total memory access.

Register::LS_MEM_FIFO_RW_NUM_L				0xC3
---------------------------------------	--	--	--	-------------

Name	Bits	Read/Write	Reset State	Comments
LS_MFRW_NO_L	7:0	R/W	0x00	LS_MEM_FIFO_RW_NUM [7:0] The Read/Write times of total memory access.

Register::LS_MEM_FIFO_RW_LEN				0xC4
-------------------------------------	--	--	--	-------------

Name	Bits	Read/Write	Reset State	Comments
LS_MFRW_LEN	7:0	R/W	0x80	LS_MEM_FIFO_RW_LEN [7:0] The Read/Write number of words in each memory access.

Register::LS_MEM_FIFO_RW_REMAIN				0xC5
Name	Bits	Read/Write	Reset State	Comments
LS_MFRW_RM	7:0	R/W	0x80	LS_MEM_FIFO_RW_REMAIN [7:0] The Read/Write number of words at the last access. This register must be 4X.

Register::LS_MEM_START_ADDR_H				0xC6
Name	Bits	Read/Write	Reset State	Comments
LS_RSV_C6_77	7	R/W	0	Reserved
LS_MEM_ADR_H	6:0	R/W	0x00	LS_MEM_START_ADDR [22:16] Start address of LS memory block (Total 22/23 bits) .

If the columns per bank are 256, and Bank = 4 , SDRAM address [22:0] is: 1'b0+R[11:0]+B[1:0]+C[7:0]

If the columns per bank are 256, and Bank = 2 , SDRAM address [22:0] is: 2'b0+R[11:0]+B[0]+C[7:0]

If the columns per bank are 512, and Bank = 4 , SDRAM address [22:0] is: R[11:0]+B[1:0]+C[8:0]

If the columns per bank are 512, and Bank = 2 , SDRAM address [22:0] is: 1'b0+R[11:0]+B[0]+C[8:0]

Register::LS_MEM_START_ADDR_M				0xC7
Name	Bits	Read/Write	Reset State	Comments
LS_MEM_ADR_M	7:0	R/W	0x00	LS_MEM_START_ADDR [15:8] Start address of LS memory block (Total 22/23 bits)

Register::LS_MEM_START_ADDR_L				0xC8
Name	Bits	Read/Write	Reset State	Comments
LS_MEM_ADR_L	7:0	R/W	0x00	LS_MEM_START_ADDR [7:0] Start address of LS memory block (Total 22/23 bits)

				bits)
--	--	--	--	-------

Register::LS_BIST_CTRL	0xC9
-------------------------------	-------------

Name	Bits	Read/Write	Reset State	Comments
LS_TEST	7:6	R/W	0	Reserved for testing
LS_RSV_C9_5	5	R/W	0	Reserved
FREEZE_MODE	4	R/W	0	Freeze mode enable
LS_TEST_EN	3	R/W	0	LiveShow™ Test Enable. 0: Disable 1: Enable
LS_TEST_MODE	2	R/W	0	LiveShow™ Test Mode. 0: Bypass interpolated delta 1: Bypass LUT4 value
LS_BIST_START	1	R/W	0	LiveShow™ Memory BIST Start. Set 1 to start and auto-clear after finished.
LS_BIST_RESULT	0	R	0	LiveShow™ Memory BIST Result. 0: Failed 1: Pass

Register::LS_COMP_CHK	0xCA
------------------------------	-------------

Name	Bits	Read/Write	Reset State	Comments	Config
LS_RSV_C9_77	7	R/W	0	Reserved	
PREBUF_UDFW	6	R	0	Decompression previous buffer under flow	
PREBUF_STA_CLR	5	R	0	Decompression previous buffer status clear	wclr_out
REBUF_OVFW_VD UM	4	R	0	Reorder buffer overflow by vsync dummy purge, the previous frame result	
REBUF_OVFW_GD UM_MSB	3:0	R	0	Reorder buffer overflow by group dummy purge, the previous frame result, update by vsync, msb	

Register::LS_COMP_REOVFW					0xCB
Name	Bits	Read/Write	Reset State	Comments	Config
REBUF_OVFW_GD UM_LSB	7:0	R	0	Reorder buffer overflow by group dummy purge, the previous frame result, update by vsync, lsb	

Register::LS_FRAME0					0xCC
Name	Bits	Read/Write	Reset State	Comments	Config
CUR_BYPASS_EN	7	R/W	0	In Current frame path, ByPass the conversion path and go through OD_LUT directly: 0: Disable 1: Enable	
LS_RSV_CC_65	6:5	R/W	0	Reserved	
CUR_RGB2YUV_EN	4	R/W	0	In Current frame path, RGB to YUV: 0: Disable 1: Enable	
CUR_444TO422_EN	3	R/W	0	In Current frame path, YUV 444 to 422: 0: Disable 1: Enable	
LS_RSV_CC_21	2:1	R/W	0	Reserved	
UV_MODE	0	R/W	0	In Current/Previous frame path, 444to422 U/V type 0: U0 V0 U2 V2 U4 V4 ... 1: U0 V1 U2 V3 U4 V5 ...	

Register::LS_FRAME1					0xCD
Name	Bits	Read/Write	Reset State	Comments	Config
CUR_422TO444_EN	7	R/W	0	In Current frame path, YUV 422 to 444: 0: Disable 1: Enable	
CUR_DUPLICATE	6	R/W	0	In Current frame path, YUV 422 to 444: 0: Interpolation Mode 1: Duplication Mode Interpolation Mode: Original sequence: Y0U0, Y1V0, Y2U2, Y3V2, Y4U4, Y5V4,.... Final sequences: Y0U0V0, Y1((U0+U2)/2)((V0+V2)/2), Y2U2V2, Y3((U2+U4)/2)((V2+V4)/2), Y4U4V4, ... Duplication Mode: Original sequence: Y0U0, Y1V0, Y2U2, Y3V2, Y4U4, Y5V4,....	

				Final sequences: Y0U0V0, Y1U0V0, Y2U2V2, Y3U2V2, Y4U4V4, Y5U5V5,...	
LS_RSV_CD_5	5	R/W	0	Reserved	
CUR_YUV2RGB_EN	4	R/W	0	In Current frame path, YUV to RGB: 0: Disable 1: Enable	
PRE_422TO444_EN	3	R/W	0	In Previous frame path, YUV 422 to 444: 0: Disable 1: Enable	
PRE_DUPLICATE	2	R/W	0	In Previous frame path, YUV 422 to 444: 0: Interpolation Mode 1: Duplication Mode	
LS_RSV_CD_1	1	R/W	0	Reserved	
PRE_YUV2RGB_EN	0	R/W	0	In Previous frame path, YUV to RGB: 0: Disable 1: Enable	

Register::LS_FRAME2 0xCE					
Name	Bits	Read/Write	Reset State	Comments	Config
CUR_ROUND	7:6	R/W	0	The Current Pixel after RGB->YUV, 444->422 rounding mode setting 00: no rounding (keep original 10bit) 01: 6bit rounding 10: 4bit rounding 11: 5bit rounding	
EST_VALUE	5:0	R/W	0	User Defined Level Estimation Value: 0~63 (When Level Estimation Enabled, i.e. CRA1[5]==1, and working under YC rounding mode, CRA4[4] = 1'b1)	

SDRAM Control (Page 4)

Register::SDR_CTRL0				0xA1	
Name	Bits	Read/Write	Reset State	Comments	Config
SDR_RSV_A1_76	7:6	R/W	0	Reserved	
SDR_WR_DELAY	5:3	R/W	'b011	Delay from Row Active to Write 000: Reserved 001: Reserved 010: 2 MCLK 011: 3 MCLK 100: 4 MCLK 101: 5 MCLK 110: Reserved 111: Reserved	
SDR_RD_DELAY	2:0	R/W	'b011	Delay from Row Active to Data Valid 000: Reserved 001: Reserved 010: 2 MCLK 011: 3 MCLK 100: 4 MCLK 101: 5 MCLK 110: Reserved 111: Reserved	

Register::SDR_CTRL1				0xA2	
Name	Bits	Read/Write	Reset State	Comments	Config
SDR_CL	7:5	R/W	'b011	CAS Latency of SDRAM 000: Reserved 001: Reserved 010: 2 MCLK 011: 3 MCLK 100: Reserved 101: Reserved 110: Reserved 111: Reserved	

				If MCLK >100MHz, SDR_CL should be 3 MCLK.	
SDR_RSV_A2_40	4:0	R/W	4	Reserved	

Register::SDR_AREF_TIME 0xA3					
Name	Bits	Read/Write	Reset State	Comments	Config
SDR_AREF_TIME	7:0	R/W	0x0D	Auto Refresh Time. (The period of initial refresh time in MCLK cycle)	

Register::SDR_PRCG 0xA4					
Name	Bits	Read/Write	Reset State	Comments	Config
SDR_PRCG_BIT	7	R/W	0	Precharge All Banks by 0: A8 1: A10	
SDR_PRCG_DO	6	R/W	0	Force to Precharge All Banks	
SDR_COL_NUM	5	R/W	0	Columns per Bank 0: 256 1: 512	
SDR_RESET	4	R/W	0	SDR Reset 0: Normal 1: Reset	
SDR_PRCG_DLY	3:0	R/W	3	Precharge Delay Cycle (The interval from precharge to next valid command)	

Register::SDR_MEM_TYPE 0xA5					
Name	Bits	Read/Write	Reset State	Comments	Config
SDR_MEM_SIZE	7:6	R/W	0	SDRAM Memory Size 00: 1Mx16x1pcs 01: 1Mx16x2pcs 10: 2Mx32x1pcs 11: 2Mx32x2pcs	
SDR_BANK_SEL	5	R/W	0	Banks per SDRAM 0: 4 bank	

				1: 2 bank	
SDR_ABR_STATUS	4	R	0	Arbiter Recovery Happen	
SDR_ABR_REC_EN	3	R/W	0	Arbiter Recovery Enable, Reset State Machine	
SDR_CAS_LATN	2:0	R/W	1	CAS Latency for Controller 000: Reserved 001: 1 010: 1 011: 2 100: 2 101: 3 110: 3 111: 4	

Register::SDR_SLEW_RATE 0xA6					
Name	Bits	Read/Write	Reset State	Comments	Config
SDR_RSV_A6_73	7:3	R/W	0	Reserved	
SDR_AUTO_GATING	2	R/W	0	Auto gating CKE 0: Disable 1: Enable	
SDR_CKE_L	1	R/W	0	Force CKE Low (for power-down mode) 0: Disable 1: Enable	
SDR_CKE_H	0	R/W	0	Force CKE High (for testing) 0: Disable 1: Enable	

Register::SDR_AREF_CNT 0xA7					
Name	Bits	Read/Write	Reset State	Comments	Config
SDR_AREF_CNT8	7:0	R/W	0x81	Number of Auto Refresh (N*8)	

Register::RESERVED 0xA8					
Name	Bits	Read/Write	Reset State	Comments	Config
Reserved	7:0	R/W	0	Reserved	

Register::RESERVED						0xA9					
Name	Bits	Read/Write	Reset State	Comments	Config						
Reserved	7:0	R/W	0	Reserved							

Register::SDR_RSC_AREF						0xAA					
Name	Bits	Read/Write	Reset State	Comments	Config						
SDR_RSC_AREF	7:0	R	0xFF	Token Ring Bit[7:0]							

Register::SDR_RSC_MCU						0xAB					
Name	Bits	Read/Write	Reset State	Comments	Config						
SDR_RSC_MCU	7:0	R/W/D	0x20	Token Ring Bit[7:0]							

Register::SDR_RSC_CAP1						0xAC					
Name	Bits	Read/Write	Reset State	Comments	Config						
SDR_RSC_CAP1	7:0	R/W/D	0xAA	Token Ring Bit[7:0]							

Register::RESERVED						0xAD					
Name	Bits	Read/Write	Reset State	Comments	Config						
Reserved	7:0	R/W	0	Reserved							

Register::SDR_RSC_MAIN						0xAE					
Name	Bits	Read/Write	Reset State	Comments	Config						
SDR_RSC_MAIN	7:0	R/W/D	0x55	Token Ring Bit[7:0]							

Register::RESERVED						0xAF					
Name	Bits	Read/Write	Reset State	Comments	Config						

		Write	State		
Reserved	7:0	R/W	0	Reserved	

Register::SDR_RSC_RTC_RD						0xB0
Name	Bits	Read/Write	Reset State	Comments	Config	
SDR_RSC_RTC_RD	7:0	R/W/D	0xAA	Token Ring Bit[7:0]		

Register::SDR_RSC_RTC_WR						0xB1
Name	Bits	Read/Write	Reset State	Comments	Config	
SDR_RSC_RTC_WR	7:0	R/W/D	0x55	Token Ring Bit[7:0]		

- *(Double-Buffer) Token-Ring access before AREF*

Register::RESERVED						0xB2
Name	Bits	Read/Write	Reset State	Comments	Config	
Reserved	7:0	R/W	0	Reserved		

Register::RESERVED						0xB3
Name	Bits	Read/Write	Reset State	Comments	Config	
Reserved	7:0	R/W	0	Reserved		

Register::SDR_ABTR_STATUS0						0xB4
Name	Bits	Read/Write	Reset State	Comments	Config	
SDR_ABTR_RTCR	7	R	0	RTC Read Arbiter Status		
SDR_ABTR_RTCW	6	R	0	RTC Write Arbiter Status		
SDR_ABTR_MAIN	5	R	0	MAIN Read Arbiter Status		
Reserved	4	--	0	Reserved		
SDR_ABTR_CAP1	3	R	0	CAP1 Write Arbiter Status		
Reserved	2	--	0	Reserved		
SDR_ABTR_MCU	1	R	0	MCU R/W Arbiter Status		

SDR_ABTR_AREF	0	R	0	AREF Arbiter Status	
---------------	---	---	---	---------------------	--

- Write-clear

Register::SDR_ABTR_STATUS 1				0xB5	
------------------------------------	--	--	--	-------------	--

Name	Bits	Read/ Write	Reset State	Comments	Config
Reserved	7:1	--	0	Reserved	
SDR_RESET_RDY	0	R	0	SDR Reset Ready	

Register::RESERVED				0xB6	
---------------------------	--	--	--	-------------	--

Name	Bits	Read/ Write	Reset State	Comments	Config
Reserved	7:0	R/W	0	Reserved	

Register::RESERVED				0xB7	
---------------------------	--	--	--	-------------	--

Name	Bits	Read/ Write	Reset State	Comments	Config
Reserved	7:0	R/W	0	Reserved	

Register::SDR_ADDR_H				0xB8	
-----------------------------	--	--	--	-------------	--

Name	Bits	Read/ Write	Reset State	Comments	Config
Reserved	7	--	0	Reserved	
SDR_ADDR_H	6:0	R/W	0	SDR_ADDR [22:16] If the columns per bank are 256,bit[5:0] is assigned to R[11:6] and bit[6] is reserved. If the columns per bank are 512,bit[6:0] is assigned to R[11:5]	

If the columns per bank are 256, SDRAM address [22:0] is: R[11:0]+B[1:0]+C[7:0]

If the columns per bank are 512, SDRAM address [22:0] is: R[11:0]+B[1:0]+C[8:0]

Register::SDR_ADDR_M				0xB9	
-----------------------------	--	--	--	-------------	--

Name	Bits	Read/ Write	Reset State	Comments	Config
SDR_ADDR_M	7:0	R/W	0	SDR_ADDR [15:8] If the columns per bank are 256, bit[7:2] is assigned to R[5:0] bit[1:0] is assigned to B[1:0] If the columns per bank are 512,bit bit[7:3] is assigned to R[4:0] bit[2:1] is assigned to B[1:0] bit[0] is assigned to C[8]	

Register::SDR_ADDR_L 0xBA					
Name	Bits	Read/Write	Reset State	Comments	Config
SDR_ADDR_L	7:0	R/W	0	SDR_ADDR [7:0] Bitp7:0] is assigned to C[7:0] regardless of columns per bank are 256 or 512.	

Register::SDR_ACCESS_CMD 0xBB					
Name	Bits	Read/Write	Reset State	Comments	Config
SDR_ACS_CMD	7:5	R/W	0	SDR_ACCESS_COMMAND (clear to 000 after finish) 000: NOP or Finish 001: Pre-charge (all bank or single bank) 010: Auto-Refresh (step by step or auto arbiter) 011: Load Mode Register (step by step or auto initialization) (Load Mode Register will reset DLL of DRAM, we must idle ~200cycles before next "READ") 100: WRITE command (Buf→SDR) 101: READ command(SDR→Buf) 110: Reserved 111: Reserved	
SDR_DBUF_IDX	4:0	R/W	0	DATA_BUFFER_INDEX Specifies the next access byte in the buffer.	

Register::SDR_DATA_BUF 0xBC					
Name	Bits	Read/Write	Reset State	Comments	Config
SDR_DATA_BUF	7:0	R/W	0	SDR_DATA_BUFFER Sequential 8-word (32 byte) READ/WRITE from low to high address auto-increase. DATA_BUFFER_INDEX specifies the next access byte in the buffer.	

- SDR_ACCESS (Read/Write) can be used for MCU acces
- How to modify only one-byte in SDR? Read 32 bytes, only modify one index-select byte, Write 32 bytes.

Register::SDR_MCU_RD_LEN 0xBD					
Name	Bits	Read/Write	Reset State	Comments	Config
Mcurd_tst_en	7	R/W	0	On-line test mcurd SDRAM enable	
Mcurd_len	6:0	R/W	0	Mcu Read SRAM Length	

Register::phase calibration 0xBE					
Name	Bits	Read/Write	Reset State	Comments	Config

reserve	7:5	R/W	0		
Ph_cal_up_sel	4	R/W	0	Phase calibration wait event select 0 : SDRAM write (not include MCU write to SDRAM) 1: display vertical front porch	
Phcal_wait_en	3	R/W	0	Calibration wait event (ref. CR_BE[4])	
Phcal_en	2	R/W	0	Phase calibration enable 0: finish 1: enable (auto-clear by HW)	
Rd_ph_db_en	1	R/W	0	Double buffer enable(Update SRAM DATAT DQS fine dly)	
Rd_ph_db_start	0	R/W	0	Start double buffer (ref. CR_BE[4]) 0: finish 1: start (auto clear by HW)	

Register::calibration_result 0xBF					
Name	Bits	Read/ Write	Reset State	Comments	Config
reserve	7	R	0		
Phcal_cnt	6:0	R	0		

Register::SDR_CLK_DLY1 0xC0					
Name	Bits	Read/ Write	Reset State	Comments	Config
mclko_inv	7	R/W/D	0	Mclk ouput invert 0 : non invert 1: inert	
reserve	6:0	R/W	0		

Register::SDR_CLK_DLY2 0xC1					
Name	Bits	Read/ Write	Reset State	Comments	Config
mclk_fine_tune	7:0	R/W/D	0	Mclk delay fine tune[7:0]	

Register::DQS0_DLY1						0xC2					
Name	Bits	Read/Write	Reset State	Comments	Config						
SDR_D0_LFT_OFF	7	R	0	SDRAM Data [15:0] Latch Fine-Tune Status 0: Activated 1: Inactivated							
dqs0_coarse_dly	6:5	R/W/D	0	SDRAM Data [15:0]coarse dly [1:0] 00: 0 01: 90 10: 180 11: 270							
reserve	4:0	R/W	0								

Register::DQS0_DLY2						0xC3					
Name	Bits	Read/Write	Reset State	Comments	Config						
dqs0_fine_dly	7:0	R/W/D	0	SDRAM Data[15:0] fine dly [7:0]							

Register::DQS1_DLY1						0xC4					
Name	Bits	Read/Write	Reset State	Comments	Config						
SDR_D1_LFT_OFF	7	R	0	SDRAM Data [31:16] Latch Fine-Tune Status 0: Activated 1: Inactivated							
dqs1_coarse_dly	6:5	R/W/D	0	SDRAM Data[31:16] coarse dly [1:0] 00: 0 01: 90 10: 180 11: 270							
reserve	4:0	R/W	0								

Register::DQS1_DLY2						0xC5					
Name	Bits	Read/Write	Reset State	Comments	Config						

dqs1_fine_dly	7:0	R/W/D	0	SDRAM Data[31:16] fine dly [7:0]	
---------------	-----	-------	---	----------------------------------	--

Register::DQS2_DLY1 0xC6					
Name	Bits	Read/Write	Reset State	Comments	Config
SDR_D2_LFT_OFF	7	R	0	SDRAM Data [47:32] Latch Fine-Tune Status 0: Actived 1: Inactived	
Dqs2_coarse_dly	6:5	R/W/D	0	SDRAM Data[47:32] coarse dly [1:0] 00: 0 01: 90 10: 180 11: 270	
reserve	4:0	R/W	0		

Note: reserve for 64 bits SDRAM

Register::DQS2_DLY2 0xC7					
Name	Bits	Read/Write	Reset State	Comments	Config
Dqs2_fine_dly	7:0	R/W/D	0	SDRAM Data[47:32] fine dly [7:0]	

Note: reserve for 64 bits SDRAM

Register::DQS3_DLY1 0xC8					
Name	Bits	Read/Write	Reset State	Comments	Config
SDR_D3_LFT_OFF	7	R	0	SDRAM Data [63:48] Latch Fine-Tune Status 0: Actived 1: Inactived	
Dqs3_coarse_dly	6:5	R/W/D	0	SDRAM Data coarse dly [1:0] 00: 0 01: 90 10: 180 11: 270	
reserve	4:0	R/W	0		

Note: reserve for 64 bits SDRAM

Register::DQS3_DLY2 0xC9					
Name	Bits	Read/ Write	Reset State	Comments	Config
Dqs3_fine_dly	7:0	R/W/D	0	SDRAM Data[63:48] fine dly [7:0]	

Note: reserve for 64 bits SDRAM

Register::SEC_DQS0_DLY 0xCA					
Name	Bits	Read/ Write	Reset State	Comments	Config
Sec_dqs0_fine_dly	7:0	R/W	0	SDRAM Data[15:0] fine dly [7:0] Phase switch setting for on-line mcurd to check phase	

Register::SEC_DQS1_DLY 0xCB					
Name	Bits	Read/ Write	Reset State	Comments	Config
Sec_dqs1_fine_dly	7:0	R/W	0	SDRAM Data[31:16] fine dly [7:0] Phase switch setting for on-line mcurd to check phase	

Register::SEC_DQS2_DLY 0xCC					
Name	Bits	Read/ Write	Reset State	Comments	Config
Sec_dqs2_fine_dly	7:0	R/W	0	SDRAM Data[47:32] fine dly [7:0] Phase switch setting for on-line mcurd to check phase	

Note: reserve for 64 bits SDRAM

Register::SEC_DQS3_DLY 0xCD					
Name	Bits	Read/ Write	Reset State	Comments	Config
Sec_dqs3_fine_dly	7:0	R/W	0	SDRAM Data[63:48] fine dly [7:0] Phase switch setting for on-line mcurd to check phase	

Note: reserve for 64 bits SDRAM

Address: CE~FB Reserved

Register::extended_mode_register						0xFC					
Name	Bits	Read/Write	Reset State	Comments	Config						
Mcurd_crc_en	7	R/W	0	CRC Enable for MCU Read from SDRAM only							
reserve	6:5	R/W	0								
Emr_config[11:8]	3:0	R/W	0	extended_mode_register[11:8]							

Register::extended_mode_register						0xFD					
Name	Bits	Read/Write	Reset State	Comments	Config						
Emr_config[7:0]	7:0	R/W	0	extended_mode_register[7:0]							

Register::random_generator						0xFE					
Name	Bits	Read/Write	Reset State	Comments	Config						
Rst_random_sel	7	R/W	0	SDRAM controller random generator reset 0: dvs 1: ivs							
Rst_crc_sel	6	R/W	0	SDRAM controller CRC reset 0: dvs 1: ivs							
Random_en	5	R/W	0	SDRAM controller random generator enable							
Crc_start	4	R/W	0	SDRAM controller CRC start 0: finish 1: start (auto-clear by HW)							
Crc_adr_port	3:0	R/W	0	Address port for CRFF							

Register::CRC_DATA_PORT						0xFF					
Name	Bits	Read/Write	Reset State	Comments	Config						
Crc_data_port	7:0	R	0	CRC Data Port							

Reserved (Page 5)

Reserved (Page 6)

Vivid color-Video Color Space Conversion(page 7)

Register:: YUV2RGB_CTRL					0xBF
Name	Bits	Read/Write	Reset State	Comments	Config
Dummy	7:2	R/W	0	Reserved	
Access	1	R/W	0	Enable YUV/RGB coefficient Access 0: Disable 1: Enable	
Enable	0	R/W	0	Enable YUV to RGB Conversion 0: Disable YUV-to-RGB conversion 1: Enable YUV-to-RGB conversion	

Register:: YUV2RGB_ACCESS					0xC0
Name	Bits	Read/Write	Reset State	Comments	Config
Write_Enabled	7:3	R/W	0	YUV Coefficient Write Enable: 00000: K11 high byte 00001: K11 low byte 00010: K13 high byte 00011: K13 low byte 00100: K22 high byte 00101: K22 low byte 00110: K23 high byte 00111: K23 low byte 01000: K32 high byte 01001: K32 low byte 01010: Roffset high byte 01011: Roffset low byte 01100: Goffset high byte 01101: Goffset low byte 01110: Boffset high byte 01111: Boffset low byte 10000: Rgain high byte 10001: Rgain low byte 10010: Ggain high byte 10011: Ggain low byte 10100: Bgain high byte 10101: Bgain low byte 10110~11111: reserved	
Cb_Cr_Clamp	2	R/W	0	Cb Cr Clamp 0: Bypass 1: Cb-(128), Cr-(128)	
Y_Clamp	1	R/W	0	Y Clamp 0: Bypass 1: Y-(16)	
Y Signed	0	R/W	0	Y Signed Selection 0: (Y-16)-> Unsigned 1: (Y-16)-> Signed	

Register:: YUV_RGB_COEF_DATA					0xC1
Name	Bits	Read/Write	Reset State	Comments	Config
COEF	7:0	W	-	COEF_DATA[7:0]	

$$\text{YUV/RGB matrix } \begin{bmatrix} R' \\ G' \\ B' \end{bmatrix} = \begin{bmatrix} K_{11} & 0 & K_{13} \\ K_{11} & -K_{22} & -K_{23} \\ K_{11} & K_{32} & 0 \end{bmatrix} \begin{bmatrix} Y \text{ or } (Y-16) \\ U \text{ or } (U-128) \\ V \text{ or } (V-128) \end{bmatrix} + \begin{bmatrix} R_{offset} \\ G_{offset} \\ B_{offset} \end{bmatrix}$$

Then,

$$\begin{bmatrix} R \\ G \\ B \end{bmatrix} = \begin{bmatrix} R_{gain} \times R' \\ G_{gain} \times G' \\ B_{gain} \times B' \end{bmatrix}$$

Where

- Y: S(9,0)/ U(9,0) when CR C0[0]=0
- U, V: S(8,0).
- K11: U(12, 10) 12 bits, 2 bit integer and 10-bit fractional bits. (Default: 0x0400h)
- K13: U(11, 10) 11 bits, 1 bit integer and 10-bit fractional bits (Default: 0x048Fh)
- K22, K23: U(10, 10) 10 bits, all fractional bits (Default: K22: 0x0194h, K23: 0x0252h)
- K32: U(12, 10) 12 bits, 2 bit integer and 10-bit fractional bits (Default: 0x0820h)
- K11': S(15,4)
- Roffset, Goffset, Boffset: S(14,4) 14 bits, 10 bit signed integer and 4-bit fractional bits. (Default: 0x000h)
- K13': S(15,4)
- K22', K23': S(11,2)
- K32': S(13,2)
- Rgain, Ggain, Bgain: U(10, 9) 10bits, 1 bit integer and 9-bit fractional bits. (Default: 0x0200h)

Operation	Description
K11' = K11*Y	U(12,10) * S(9,0) = S(21,10) truncating to S(15,4)
K13' = K13*V	U(11,10) * S(8,0) = S(19,10) truncating to S(14,4)
R'' = K11'+K13'	S(15,4) + S(14,4) = S(15,4)
R' = R'' + Roffset	S(15,4) + S(14,4) = S(15,4) truncating to S(13,2)
K22' = K22*U	U(10,10) * S(9,0) = S(19,10) truncating to S(13,4)
K23' = K23*V	U(10,10) * S(8,0) = S(18,10) truncating to S(13,4)
G'' = K11'-K22'-K23'	S(15,4)+ S(13,4)+ S(13,4) = S(15,4)
G' = G'' + Goffset	S(15,4) + S(14,4) = S(15,4) truncating to S(13,2)
K32' = K32*U	U(12,10) * S(8,0) = S(20,10) truncating to S(15,4)
B'' = K11'+K32'	S(15,4)+ S(15,4) = S(15,4)
B' = B'' + Boffset	S(15,4) + S(14,4) = S(15,4) truncating to S(13,2)
R=Rgain*R'	U(10,9)*S(13,2)=S(23,11) rounding to U(10,0) (clamp)
G=Ggain*G'	U(10,9)*S(13,2)=S(23,11) rounding to U(10,0) (clamp)
B=Bgain*B'	U(10,9)*S(13,2)=S(23,11) rounding to U(10,0) (clamp)

Address 0xC2~0xC6 are reserved

Vivid color-DCC (Page 7)

Register:: DCC_CTRL_0		0xc7			
Name	Bits	R/W	Default	Comments	Config
DCC_EN	7	R/W	0	DCC_ENABLE 0: Disable 1: Enable	
Y_FORMULA	6	R/W	0	Y_FORMULA 0: Y = (2R+5G+B)/8 1: Y = (5R+8G+3B)/16	
SC_EN	5	R/W	0	SOFT_CLAMP 0: Disable	

				1: Enable	
DCC_MODE	4	R/W	0	DCC_MODE 0: Auto Mode 1: Manual Mode	
SCG_EN	3	R/W	0	SCENE_CHANGE 0: Disable Scene-Change Function 1: Enable Scene-Change Function in Auto Mode	
BWL_EXP	2	R/W	0	BWL_EXP 0: Disable Black/White Level Expansion 1: Enable Black/White Level Expansion in Auto Mode	
PAGE_SEL	1:0	R/W	0	DCC_PAGE_SEL 00: Page 0 (for Histogram / Ymin-max / Soft-Clamping / Scene-Change) 01: Page 1 (for Y-Curve / WBL Expansion) 10: Page 2 (for Calculation Parameter) 11: Page 3 (for Testing and Debug)	

Register:: DCC_CTRL_1						0xc8					
Name	Bits	R/W	Default	Comments		Config					
GAIN_EN	7	R/W	0	DCC gain control enable 0: Disable 1: Enable Note: DCC gain control enable must delay MOV_AVG_LEN frame after DCC enable.							
DCC_FLAG	6	R	0	1: time to write highlight window position & normalized factor, write to clear							
SAT_COMP_EN	5	R/W	0	Saturation Compensation Enable 0: Disable 1: Enable							
BLD_MODE	4	R/W	0	Blending Factor Control Mode 0: old mode 1: new mode (diff. regions have diff. blending factor)							
Reserved	3:0	--	0x00	Reserved to 0							

Register:: DCC Address Port						0xc9					
Name	Bits	R/W	Default	Comments		Config					
DCC_ADDR	7:0	R/W	0x00	DCC address							

Register:: DCC Data Port						0xca					
Name	Bits	R/W	Default	Comments		Config					
DCC_DATA	7:0	R/W	0x00	DCC data							

Register:: NOR_FACTOR_H (page0)						(ACCESS[C9,CA]) 0x00					
Name	Bits	R/W	Default	Comments		Config					
Reserved	7:6	--	--	Reserved							
NOR_FAC_H	5:0	R/W	0x00	Bit[21:16] of Normalized Factor; NF= (255/N) * (2^22)							

Register:: NOR_FACTOR_M (page0) (ACCESS[C9,CA]) 0x01					
Name	Bits	R/W	Default	Comments	Config
NOR_FAC_M	7:0	R/W	0x00	Bit[15:8] of Normalized Factor; NF = (255/N) * (2^22)	

Register:: NOR_FACTOR_L (page0) (ACCESS[C9,CA]) 0x02					
Name	Bits	R/W	Default	Comments	Config
NOR_FAC_L	7:0	R/W	0x00	Bit[7:0] of Normalized Factor; NF = (255/N) * (2^22)	

Register:: BBE_CTRL (page0) (ACCESS[C9,CA]) 0x03					
Name	Bits	R/W	Default	Comments	Config
BBE_EN	7	R/W	0	BBE_ENA 0: Disable Black-Background Exception 1: Enable Black-Background Exception	
Reserved	6:4	--	--	Reserved	
BBE_THD	3:0	R/W	0x4	BBE_THD 8-bit RGB Threshold for Black-Background Exception	

Register:: NFLT_CTRL (page0) (ACCESS[C9,CA]) 0x04					
Name	Bits	R/W	Default	Comments	Config
HNFLT_EN	7	R/W	0	HNFLT_ENA 0: Disable Histogram Noise Filter 1: Enable Histogram Noise Filter	
HNFLT_THD	6:4	R/W	0	HNFLT_THD Threshold for Histogram Noise Filter	
YNFLT_EN	3	R/W	0	YNFLT_ENA 0: Disable Ymax / Ymin Noise Filter 1: Enable Ymax / Ymin Noise Filter	
YNFLT_THD	2:0	R/W	0	YNFLT_THD Threshold for Ymax/Ymin Noise Filter (= 4*YNFLT_THD)	

Register:: HIST_CTRL (page0) (ACCESS[C9,CA]) 0x05					
Name	Bits	R/W	Default	Comments	Config
RH0_LIMITER	7	R/W	0	RH0_LIMITER 0: Disable RH0 Limiter 1: Enable RH0 Limiter	
RH1_LIMITER	6	R/W	0	RH1_LIMITER 0: Disable RH1 Limiter 1: Enable RH1 Limiter	
REAL_MA_LEN	5:3	R	--	Real MOV_AVG_LEN may be different with MOV_AVG_LEN, if SCG enable	
MOV_AVG_LEN	2:0	R/W	0	MOV_AVG_LEN 000: Histogram Moving Average Length = 1 001: Histogram Moving Average Length = 2 010: Histogram Moving Average Length = 4 011: Histogram Moving Average Length = 8	

				100: Histogram Moving Average Length = 16 101~111: reserved	
--	--	--	--	--	--

Register:: SOFT_CLAMP (page0) (ACCESS[C9,CA]) 0x06					
---	--	--	--	--	--

Name	Bits	R/W	Default	Comments	Config
SOFT_CLAMP	7:0	R/W	0xB0	Slope of Soft-Clamping (= SOFT_CLAMP / 256)	

Register:: Y_MAX_LB (page0) (ACCESS[C9,CA]) 0x07					
---	--	--	--	--	--

Name	Bits	R/W	Default	Comments	Config
Y_MAX_LB	7:0	R/W	0xFF	Lower Bound of Y_MAX (= 4*Y_MAX_LB)	

Register:: Y_MIN_HB (page0) (ACCESS[C9,CA]) 0x08					
---	--	--	--	--	--

Name	Bits	R/W	Default	Comments	Config
Y_MIN_HB	7:0	R/W	0x00	Higher Bound of Y_MIN (= 4*Y_MIN_HB)	

Register:: SCG_PERIOD (page0) (ACCESS[C9,CA]) 0x09					
---	--	--	--	--	--

Name	Bits	R/W	Default	Comments	Config
SCG_MODE	7	R/W	0	Scene-Change Control Mode 0: old mode (2553V) 1: new mode (2622)	
Reserved	6:5	--	--	Reserved	
SCG_PERIOD	4:0	R/W	0x10	Scene-Change Mode Period = 1~32. Note: SCG_PERIOD >= MOV_AVG_LEN, CRED-05[2:0](page0)	

Register:: SCG_LB (page0) (ACCESS[C9,CA]) 0x0A					
---	--	--	--	--	--

Name	Bits	R/W	Default	Comments	Config
SCG_LB	7:0	R/W	0x00	SCG_DIFF Lower Bound for Exiting Scene-Change Mode	

Register:: SCG_HB (page0) (ACCESS[C9,CA]) 0x0B					
---	--	--	--	--	--

Name	Bits	R/W	Default	Comments	Config
SCG_HB	7:0	R/W	0xFF	SCG_DIFF Higher Bound for Exiting Scene-Change Mode	

Register:: POPUP_CTRL (page0) (ACCESS[C9,CA]) 0x0C					
---	--	--	--	--	--

Name	Bits	R/W	Default	Comments	Config
Reserved	7:1	--	--	Reserved	
POPUP_BIT	0	R	--	Reg[0D]~Reg[16] are updated every frame. Once POPUP_BIT is read, the value of Reg[0D] ~ Reg[16] will not be updated until Reg[16] is read.	

Register:: SCG_DIFF (page0) (ACCESS[C9,CA]) 0x0D					
Name	Bits	R/W	Default	Comments	Config
SCG_DIFF	7:0	R	--	= (Histogram Difference between Current Frame and Average) / 8=DIFF[10:0]>>3	

Register:: Y_MAX_VAL (page0) (ACCESS[C9,CA]) 0x0E					
Name	Bits	R/W	Default	Comments	Config
Y_MAX_VAL	7:0	R	--	= Max { Y_MAX_LB, (Y Maximum in Current Frame / 4) }	

Register:: Y_MIN_VAL (page0) (ACCESS[C9,CA]) 0x0F					
Name	Bits	R/W	Default	Comments	Config
Y_MIN_VAL	7:0	R	--	= Min { Y_MIN_HB, (Y Minimum in Current Frame / 4) }	

Register:: S0_VALUE (page0) (ACCESS[C9,CA]) 0x10					
Name	Bits	R/W	Default	Comments	Config
S0_VALUE	7:0	R	--	Normalized Histogram S0 Value	

Register:: S1_VALUE (page0) (ACCESS[C9,CA]) 0x11					
Name	Bits	R/W	Default	Comments	Config
S1_VALUE	7:0	R	--	Normalized Histogram S1 Value	

Register:: S2_VALUE (page0) (ACCESS[C9,CA]) 0x12					
Name	Bits	R/W	Default	Comments	Config
S2_VALUE	7:0	R	--	Normalized Histogram S2 Value	

Register:: S3_VALUE (page0) (ACCESS[C9,CA]) 0x13					
Name	Bits	R/W	Default	Comments	Config
S3_VALUE	7:0	R	--	Normalized Histogram S3 Value	

Register:: S4_VALUE (page0) (ACCESS[C9,CA]) 0x14					
Name	Bits	R/W	Default	Comments	Config
S4_VALUE	7:0	R	--	Normalized Histogram S4 Value	

Register:: S5_VALUE (page0) (ACCESS[C9,CA]) 0x15					
Name	Bits	R/W	Default	Comments	Config
S5_VALUE	7:0	R	--	Normalized Histogram S5 Value	

Register:: S6_VALUE (page0) (ACCESS[C9,CA]) 0x16					
Name	Bits	R/W	Default	Comments	Config
S6_VALUE	7:0	R	--	Normalized Histogram S6 Value	

Register:: YHL_THD (page0) (ACCESS[C9,CA]) 0x17					
Name	Bits	R/W	Default	Comments	Config
YHL_THD	7:0	R/W	0x00	Y_H and Y_L Theshold When DIFF[10:0] < YHL_THD[7:0], Y_H and Y_L keep the previous values	

Register:: DEF_CRV[01] (page1) (ACCESS[C9,CA]) 0x00					
Name	Bits	R/W	Default	Comments	Config
DEF_CRV01	7:0	R/W	0x10	Pre-Defined Y-Curve; Keep DEF_CRV[N] ≥ DEF_CRV[N-1]	

Register:: DEF_CRV[02] (page1) (ACCESS[C9,CA]) 0x01					
Name	Bits	R/W	Default	Comments	Config
DEF_CRV02	7:0	R/W	0x20	Pre-Defined Y-Curve; Keep DEF_CRV[N] ≥ DEF_CRV[N-1]	

Register:: DEF_CRV[03] (page1) (ACCESS[C9,CA]) 0x02					
Name	Bits	R/W	Default	Comments	Config
DEF_CRV03	7:0	R/W	0x30	Pre-Defined Y-Curve; Keep DEF_CRV[N] ≥ DEF_CRV[N-1]	

Register:: DEF_CRV[04] (page1) (ACCESS[C9,CA]) 0x03					
Name	Bits	R/W	Default	Comments	Config
DEF_CRV04	7:0	R/W	0x40	Pre-Defined Y-Curve; Keep DEF_CRV[N] ≥ DEF_CRV[N-1]	

Register:: DEF_CRV[05] (page1) (ACCESS[C9,CA]) 0x04					
Name	Bits	R/W	Default	Comments	Config
DEF_CRV05	7:0	R/W	0x50	Pre-Defined Y-Curve; Keep DEF_CRV[N] ≥ DEF_CRV[N-1]	

Register:: DEF_CRV[06] (page1) (ACCESS[C9,CA]) 0x05					
Name	Bits	R/W	Default	Comments	Config
DEF_CRV06	7:0	R/W	0x60	Pre-Defined Y-Curve; Keep DEF_CRV[N] ≥ DEF_CRV[N-1]	

Register:: DEF_CRV[07] (page1) (ACCESS[C9,CA]) 0x06					
---	--	--	--	--	--

Name	Bits	R/W	Default	Comments	Config
DEF_CRV07	7:0	R/W	0x70	Pre-Defined Y-Curve; Keep DEF_CRV[N] ≥ DEF_CRV[N-1]	

Register:: DEF_CRV[08] (page1) (ACCESS[C9,CA]) 0x07					
Name	Bits	R/W	Default	Comments	Config
DEF_CRV08	7:0	R/W	0x80	Pre-Defined Y-Curve; Keep DEF_CRV[N] ≥ DEF_CRV[N-1]	

Register:: DEF_CRV[09] (page1) (ACCESS[C9,CA]) 0x08					
Name	Bits	R/W	Default	Comments	Config
DEF_CRV09	7:0	R/W	0x90	Pre-Defined Y-Curve; Keep DEF_CRV[N] ≥ DEF_CRV[N-1]	

Register:: DEF_CRV[10] (page1) (ACCESS[C9,CA]) 0x09					
Name	Bits	R/W	Default	Comments	Config
DEF_CRV10	7:0	R/W	0xA0	Pre-Defined Y-Curve; Keep DEF_CRV[N] ≥ DEF_CRV[N-1]	

Register:: DEF_CRV[11] (page1) (ACCESS[C9,CA]) 0x0A					
Name	Bits	R/W	Default	Comments	Config
DEF_CRV11	7:0	R/W	0xB0	Pre-Defined Y-Curve; Keep DEF_CRV[N] ≥ DEF_CRV[N-1]	

Register:: DEF_CRV[12] (page1) (ACCESS[C9,CA]) 0x0B					
Name	Bits	R/W	Default	Comments	Config
DEF_CRV12	7:0	R/W	0xC0	Pre-Defined Y-Curve; Keep DEF_CRV[N] ≥ DEF_CRV[N-1]	

Register:: DEF_CRV[13] (page1) (ACCESS[C9,CA]) 0x0C					
Name	Bits	R/W	Default	Comments	Config
DEF_CRV13	7:0	R/W	0xD0	Pre-Defined Y-Curve; Keep DEF_CRV[N] ≥ DEF_CRV[N-1]	

Register:: DEF_CRV[14] (page1) (ACCESS[C9,CA]) 0x0D					
Name	Bits	R/W	Default	Comments	Config
DEF_CRV14	7:0	R/W	0xE0	Pre-Defined Y-Curve; Keep DEF_CRV[N] ≥ DEF_CRV[N-1]	

Register:: DEF_CRV[15] (page1) (ACCESS[C9,CA]) 0x0E					
Name	Bits	R/W	Default	Comments	Config
DEF_CRV15	7:0	R/W	0xF0	Pre-Defined Y-Curve; Keep DEF_CRV[N] ≥ DEF_CRV[N-1]	

Register:: DEF_CRV[16] (page1) (ACCESS[C9,CA]) 0x0F					
Name	Bits	R/W	Default	Comments	Config
DEF_CRV16	7:0	R/W	0x00	Pre-Defined Y-Curve; Keep DEF_CRV[N] ≥ DEF_CRV[N-1] Note : default = 0x00 means 0x100 (256)	

When y-curve boundary is changed (DEF_CRV[16] != 0x00), disable histogram noise filter.

Registers below is effective only when auto mode is disable and black/white level expansion is enabled.

When auto mode is enabled (DCC_MODE=0), Y_BL_BIAS and Y_WL_BIAS are read-only.

Register:: Y_BL_BIAS (page1) (ACCESS[C9,CA]) 0x10					
Name	Bits	R/W	Default	Comments	Config
Y_BL_BIAS	7:0	R/W	0x00	Y Offset for Black-Level Expansion (Y_L' = 4*Y_BL_BIAS)	

Register:: Y_WL_BIAS (page1) (ACCESS[C9,CA]) 0x11					
Name	Bits	R/W	Default	Comments	Config
Y_WL_BIAS	7:0	R/W	0x00	Y Offset for While-Level Expansion (1023-Y_H' = 4*Y_WL_BIAS)	

Load double buffer CRED-00 ~ CRED-11 (page1) after write CRED-11 when DCC enable

Register:: SAT_FACTOR (page1) (ACCESS[C9,CA]) 0x12					
Name	Bits	R/W	Default	Comments	Config
Reserved	7:6	--	--	Reserved	
SAT_FACTOR	5:0	R/W	0x00	Saturation Compensation Factor = 0 ~ 32.	

Registers below is effective only when auto mode is enabled.

In manual mode (DCC_MODE=1), BLD_VAL will be fixed to 0. It means Y-curve is fully determined by DEF_CUR[01~15]

Register:: BLD_UB (page1) (ACCESS[C9,CA]) 0x13					
Name	Bits	R/W	Default	Comments	Config
BLD_UB	7:0	R/W	0x00	Upper Bound of Blending Factor	

Register:: BLD_LB (page1) (ACCESS[C9,CA]) 0x14					
Name	Bits	R/W	Default	Comments	Config
BLD_LB	7:0	R/W	0x00	Lower Bound of Blending Factor	

Register:: DEV_FACTOR (page1) (ACCESS[C9,CA]) 0x15					
Name	Bits	R/W	Default	Comments	Config
DEV_FACTOR	7:0	R/W	0x00	Deviation Weighting Factor	

Register:: BLD_VAL_SEL (page1) (ACCESS[C9,CA]) 0x16					
Name	Bits	R/W	Default	Comments	Config
WL_RANGE	7:6	R/W	0x00	White-Level Range 00: Yi = 512 (Z8) 01: Yi = 576 (Z9) 10: Yi = 640 (Z10) 11: Yi = 704 (Z11)	
WL_BLD_VAL	5:4	R/W	0x00	White-Level Blending Factor 00: 0 (user-defined curve) 01: R/2 10: R 11: 2R	
BL_RANGE	3:2	R/W	0x00	Black-Level Range 00: Yi = 448 (Z7) 01: Yi = 384 (Z6) 10: Yi = 320 (Z5) 11: Yi = 256 (Z4)	
BL_BLD_VAL	1:0	R/W	0x00	Black-Level Blending Factor 00: 0 (user-defined curve) 01: R/2 10: R 11: 2R	

Register:: BLD_VAL (page1) (ACCESS[C9,CA]) 0x17					
Name	Bits	R/W	Default	Comments	Config
BLD_VAL	7:0	R	--	= Max{ BLD_UB - [(DEV_VAL*DEV_FACTOR)/256], BLD_LB}	

Register:: DEV_VAL_HI (page1) (ACCESS[C9,CA]) 0x18					
Name	Bits	R/W	Default	Comments	Config
DEV_VAL_HI	7:0	R	--	Bit[8:1] of Deviation Value	

Register:: DEV_VAL_LO (page1) (ACCESS[C9,CA]) 0x19					
Name	Bits	R/W	Default	Comments	Config
DEV_VAL_LO	7	R	--	Bit[0] of Deviation Value	
Reserved	6:0	--	--	Reserved	

Register:: SRAM initial value (page2) (ACCESS[C9,CA]) 0x00~0x8F					
Name	Bits	R/W	Default	Comments	Config
SRAM_XX	7:0	W	--	Addr 00: SRAM_00 Addr 01: SRAM_01	

				
					Addr 8F : SRAM_8F

Register:: SRAM_BIST (page3) (ACCESS[C9,CA]) 0x00					
Name	Bits	R/W	Default	Comments	Config
BIST_EN	7	R/W	0	BIST_EN 0: disable 1: enable	
RAM_Mode	6	R/W	0	RAM_Mode 0: dclk domain mode (normal mode, BIST) 1: MCU domain mode (SCG test)	
Reserved	5:2	--	--	Reserved	
BIST_PERIOD	1	R	--	BIST_Period 0: BIST is done 1: BIST is running	
BIST_OK	0	R	--	BIST_OK 0: SRAM fail 1: SRAM ok	

ICM (Page 7)

Address: D0 ICM Control Default: 00h

Bit	Mode	Function
7	R/W	ICM Enable 0: Disable 1: Enable
6	R/W	Y Correction Mode 0: $dY = (8dU+dV)/8$ 1: $dY = (6dU+dV)/8$
5	R/W	ICM U/V Delta Range: 0: Original -128~+127 1: Double -256~254
4	R/W	CM0 Enable 0: Disable 1: Enable
3	R/W	CM1 Enable 0: Disable 1: Enable
2	R/W	CM2 Enable 0: Disable 1: Enable
1	R/W	CM3 Enable 0: Disable 1: Enable
0	R/W	CM4 Enable 0: Disable 1: Enable

Address: D1 ICM_SEL Default: 00h

Bit	Mode	Function
7:5	R/W	ICM Test Mode 000: disable 001: bypass U, V result 010: bypass hue/saturation result 011: bypass dU, dV value

		1xx: R,B as LUT input, and bypass LUT output to R/G/B output
4	--	reserved
3	R/W	CM5 Enable 0: Disbale 1: Enable
2:0	R/W	CM Select 000: Select Chroma Modifier 0 for Accessing Through Data Port 001: Select Chroma Modifier 1 for Accessing Through Data Port 010: Select Chroma Modifier 2 for Accessing Through Data Port 011: Select Chroma Modifier 3 for Accessing Through Data Port 100: Select Chroma Modifier 4 for Accessing Through Data Port 101: Select Chroma Modifier 5 for Accessing Through Data Port 110~111: reserved

Address: D2 ICM_ADDR Default: 00h

Bit	Mode	Function
7:0	R/W	ICM port address

Address: D3 ICM_Data

Bit	Mode	Function
7:0	R/W	ICM port data

ICM_ADDR will be increased automatically after each byte of ICM_DATA has been accessed.

Address: D3-00 MST_HUE_HB Default: x0h

Bit	Mode	Function
7:4	--	Reserved
3:0	W	High Byte[11:8] of Master Hue for Chroma Modifier N.

Address: D3-01 MST_HUE_LB Default: 00h

Bit	Mode	Function
7:0	W	Low Byte[7:0] of Master Hue for Chroma Modifier N.

Address: D3-02 HUE_SET Default: 00h

Bit	Mode	Function
7:6	W	CM[N]_LWID 00: CM[N] left width = 64 01: CM[N] left width = 128 10: CM[N] left width = 256 11: CM[N] left width = 512
5:4	W	CM[N]_LBUF 00: CM[N] left Buffer = 0 01: CM[N] left Buffer = 64 10: CM[N] left Buffer = 128 11: CM[N] left Buffer = 256
3:2	W	CM[N]_RWID 00: CM[N] right width = 64 01: CM[N] right width = 128 10: CM[N] right width = 256 11: CM[N] right width = 512
1:0	W	CM[N]_RBUF 00: CM[N] right Buffer = 0 01: CM[N] right Buffer = 64 10: CM[N] right Buffer = 128 11: CM[N] right Buffer = 256

Address: D3-03~32 U/V Offset Default: 00h

Bit	Mode	Function
7:0	W	Addr 03: U Offset 00, -128~127 Addr 04: V Offset 00, -128~127 Addr 05: U Offset 01, -128~127 Addr 06: V Offset 01, -128~127 Addr 07: U Offset 02, -128~127 Addr 08: V Offset 02, -128~127 Addr 09: U Offset 03, -128~127

	<p>Addr 0A: V Offset 03, -128~127 Addr 0B: U Offset 04, -128~127 Addr 0C: V Offset 04, -128~127 Addr 0D: U Offset 05, -128~127 Addr 0E: V Offset 05, -128~127 Addr 0F: U Offset 06, -128~127 Addr 10: V Offset 06, -128~127 Addr 11: U Offset 07, -128~127 Addr 12: V Offset 07, -128~127</p> <p>Addr 13: U Offset 10, -128~127 Addr 14: V Offset 10, -128~127 Addr 15: U Offset 11, -128~127 Addr 16: V Offset 11, -128~127 Addr 17: U Offset 12, -128~127 Addr 18: V Offset 12, -128~127 Addr 19: U Offset 13, -128~127 Addr 1A: V Offset 13, -128~127 Addr 1B: U Offset 14, -128~127 Addr 1C: V Offset 14, -128~127 Addr 1D: U Offset 15, -128~127 Addr 1E: V Offset 15, -128~127 Addr 1F: U Offset 16, -128~127 Addr 20: V Offset 16, -128~127 Addr 21: U Offset 17, -128~127 Addr 22: V Offset 17, -128~127</p> <p>Addr 23: U Offset 20, -128~127 Addr 24: V Offset 20, -128~127 Addr 25: U Offset 21, -128~127 Addr 26: V Offset 21, -128~127 Addr 27: U Offset 22, -128~127 Addr 28: V Offset 22, -128~127 Addr 29: U Offset 23, -128~127 Addr 2A: V Offset 23, -128~127 Addr 2B: U Offset 24, -128~127 Addr 2C: V Offset 24, -128~127 Addr 2D: U Offset 25, -128~127 Addr 2E: V Offset 25, -128~127 Addr 2F: U Offset 26, -128~127 Addr 30: V Offset 26, -128~127 Addr 31: U Offset 27, -128~127 Addr 32: V Offset 27, -128~127</p>
--	---

Y-Peaking filter and coring control (For Display Domain) (Page 7)

Address: D6 peaking/coring access port control

Default: 00h

Bit	Mode	Function
7	R/W	Enable peaking / coring access port
6	R/W	Peaking/coring Enable 0: Disable 1: Enable
5	R/W	Y peaking Coefficient Resolution 0: n/32 1: n/64

4:3	--	Reserved
2:0	R/W	Peaking/coring port address

Address: D7-00 Peaking_Coeff0

Bit	Mode	Function
7:0	R/W	Coefficient C0 of Peaking filter: Valid Range: -128/32(-128) ~ 127/32 (127) (2's complement)

Address: D7-01 Peaking_Coeff1

Bit	Mode	Function
7:0	R/W	Coefficient C1 of Peaking filter: Valid Range: -128/32(-128) ~ 127/32 (127) (2's complement)

Address: D7-02 Peaking_Coeff2

Bit	Mode	Function
7:0	R/W	Coefficient C2 of Peaking filter: Valid Range: -128/32(-128) ~ 127/32 (127) (2's complement)

Address: D7-03 Coring_Min

Bit	Mode	Function
7:5	R/W	Reserved
4:0	R/W	Coring Minimum value

Address: D7-04 Coring_Max_Pos

Bit	Mode	Function
7:0	R/W	Coring Maximum Positive value

Address: D7-05 Coring_Max_Neg

Bit	Mode	Function
7:0	R/W	Coring Maximum Negative value (2's complement)

$$Y'[n] = C0*Y[n] + C1*(Y[n-1]+Y[n+1]) + C2*(Y[n-2]+Y[n+2]), -256 \leq Y' \leq 255$$

$$Y_{peak} = Y'[n] - Coring_Min, \text{ if } Y'[n] \geq 0,$$

$$= Y'[n] + Coring_Min, \text{ if } Y'[n] < 0$$

if (|Y'[n]| <= Coring_Min)

$$Y''[n] = 0,$$

else if $Y_{peak} \geq Coring_Max_Pos$

$$Y''[n] = Coring_Max_Pos$$

else if $Y_{peak} \leq Coring_Max_Neg$

$$Y''[n] = Coring_Max_Neg$$

else

$$Y''[n] = Y_{peak}$$

$$Y_o[n] = Y[n] + Y''[n], 0 \leq Y_o[n] \leq 255$$

DCR (Page 7)

Register::DCR Address Port				0xD8		
Name	Bits	R/W	Default	Comments	Config	

DCR_ADDR	7:2	--	0	DCR address	
RESULT_READ	1	R/W	0	0: Disable Read to refresh measure result. 1: Read DCR measure result.	
MEASURE_START	0	R/W	0	0: Finish or disable 1: Start DCR computation.	

Register:: DCR Data Port 0xD9					
Name	Bits	R/W	Default	Comments	Config
DCR_DATA	7:0	R/W	0x00	DCR data	

Register:: DCR_THESHOLD1 (ACCESS[D8,D9]) 0x00					
Name	Bits	R/W	Default	Comments	Config
THRESHOLD1_VALUE	7:0	R/W	0x08	DCR threshold1. $(R+G+B)*0.75$	

If we want to set threshold1 = 200. THRESHOLD1_VALUE = $200*0.75 = 150$.

Register:: DCR_THESHOLD2 (ACCESS[D8,D9]) 0x01					
Name	Bits	R/W	Default	Comments	Config
THRESHOLD2_VALUE	7:0	R/W	0x60	DCR threshold2. (threshold2 > threshold1) $(R+G+B)*0.75$	

If we want to set threshold2 = 200. THRESHOLD2_VALUE = $200*0.75 = 150$.

Register::DCR_ABOVE_TH1_NUM_2 (ACCESS[D8,D9]) 0x02					
Name	Bits	R/W	Default	Comments	Config
ABOVE_TH1_NUM_2	7:0	R	0	Total pixel number above threshold1: bit[23:16]	

Register::DCR_ABOVE_TH1_NUM_1 (ACCESS[D8,D9]) 0x03					
Name	Bits	R/W	Default	Comments	Config
ABOVE_TH1_NUM_1	7:0	R	0	Total pixel number above threshold1: bit[15:8]	

Register::DCR_ABOVE_TH1_NUM_0 (ACCESS[D8,D9]) 0x04					
---	--	--	--	--	--

Name	Bits	R/W	Default	Comments	Config
ABOVE_TH1_NUM_0	7:0	R	0	Total pixel number above threshold1: bit[7:0]	

Register::DCR_ABOVE_TH1_VAL_3 (ACCESS[D8,D9]) 0x05					
Name	Bits	R/W	Default	Comments	Config
ABOVE_TH1_VAL_3	7:0	R	0	Total sum (R+G+B) of pixel value above threshold1: bit[31:24]	

Register::DCR_ABOVE_TH1_VAL_2 (ACCESS[D8,D9]) 0x06					
Name	Bits	R/W	Default	Comments	Config
ABOVE_TH1_VAL_2	7:0	R	0	Total sum (R+G+B) of pixel value above threshold1: bit[23:16]	

Register::DCR_ABOVE_TH1_VAL_1 (ACCESS[D8,D9]) 0x07					
Name	Bits	R/W	Default	Comments	Config
ABOVE_TH1_VAL_1	7:0	R	0	Total sum (R+G+B) of pixel value above threshold1: bit[15:8]	

Register::DCR_ABOVE_TH1_VAL_0 (ACCESS[D8,D9]) 0x08					
Name	Bits	R/W	Default	Comments	Config
ABOVE_TH1_VAL_0	7:0	R	0	Total sum (R+G+B) of pixel value above threshold1: bit[7:0]	

Register::DCR_ABOVE_TH2_NUM_2 (ACCESS[D8,D9]) 0x09					
Name	Bits	R/W	Default	Comments	Config
ABOVE_TH2_NUM_2	7:0	R	0	Total pixel number above threshold2: bit[23:16]	

Register::DCR_ABOVE_TH2_NUM_1 (ACCESS[D8,D9]) 0x0A					
Name	Bits	R/W	Default	Comments	Config

ABOVE_TH2_NUM_1	7:0	R	0	Total pixel number above threshold2: bit[15:8]	
-----------------	-----	---	---	--	--

Register::DCR_ABOVE_TH2_NUM_0 (ACCESS[D8,D9]) 0x0B					
Name	Bits	R/W	Default	Comments	Config
ABOVE_TH2_NUM_0	7:0	R	0	Total pixel number above threshold2: bit[7:0]	

Register::DCR_ABOVE_TH2_VAL_3 (ACCESS[D8,D9]) 0x0C					
Name	Bits	R/W	Default	Comments	Config
ABOVE_TH2_VAL_3	7:0	R	0	Total sum (R+G+B) of pixel value above threshold2: bit[31:24]	

Register::DCR_ABOVE_TH2_VAL_2 (ACCESS[D8,D9]) 0x0D					
Name	Bits	R/W	Default	Comments	Config
ABOVE_TH2_VAL_2	7:0	R	0	Total sum (R+G+B) of pixel value above threshold2: bit[23:16]	

Register::DCR_ABOVE_TH2_VAL_1 (ACCESS[D8,D9]) 0x0E					
Name	Bits	R/W	Default	Comments	Config
ABOVE_TH2_VAL_1	7:0	R	0	Total sum (R+G+B) of pixel value above threshold2: bit[15:8]	

Register::DCR_ABOVE_TH2_VAL_0 (ACCESS[D8,D9]) 0x0F					
Name	Bits	R/W	Default	Comments	Config
ABOVE_TH2_VAL_0	7:0	R	0	Total sum (R+G+B) of pixel value above threshold2: bit[7:0]	

Register::DCR_HIGH_LV_NUM_R_1 (ACCESS[D8,D9]) 0x10					
Name	Bits	R/W	Default	Comments	Config
HIGH_LV_NUM_R_1	7:0	R	0	Dynamically detect highest level pixel number of red channel. RMAX_NUM[15:8]	

Register::DCR_HIGH_LV_NUM_R_0 (ACCESS[D8,D9]) 0x11					
Name	Bits	R/W	Default	Comments	Config
HIGH_LV_NUM_R_0	7:0	R	0	Dynamically detect highest level pixel number of red channel. RMAX_NUM[7:0]	

Register::DCR_LOW_LV_NUM_R_1 (ACCESS[D8,D9]) 0x12					
Name	Bits	R/W	Default	Comments	Config
LOW_LV_NUM_R_1	7:0	R	0	Dynamically detect the lowest level pixel number of red channel. RMIN_NUM[15:8]	

Register::DCR_LOW_LV_NUM_R_0 (ACCESS[D8,D9]) 0x13					
Name	Bits	R/W	Default	Comments	Config
LOW_LV_NUM_R_0	7:0	R	0	Dynamically detect the lowest level pixel number of red channel. RMIN_NUM[7:0]	

Register::DCR_HIGH_LV_VAL_R (ACCESS[D8,D9]) 0x14					
Name	Bits	R/W	Default	Comments	Config
HIGH_LV_VAL_R	7:0	R	0	Dynamically detect highest level value of red channel.	

Register::DCR_LOW_LV_VAL_R (ACCESS[D8,D9]) 0x15					
Name	Bits	R/W	Default	Comments	Config
LOW_LV_VAL_R	7:0	R	0	Dynamically detect the lowest level value of red channel.	

Register::DCR_HIGH_LV_NUM_G_1 (ACCESS[D8,D9]) 0x16					
Name	Bits	R/W	Default	Comments	Config

HIGH_LV_NUM_G_1	7:0	R	0	Dynamically detect the highest level pixel number of green channel. GMAX_NUM[15:8]	
-----------------	-----	---	---	--	--

Register::DCR_HIGH_LV_NUM_G_0 (ACCESS[D8,D9]) 0x17					
Name	Bits	R/W	Default	Comments	Config
HIGH_LV_NUM_G_0	7:0	R	0	Dynamically detect the highest level pixel number of green channel. GMAX_NUM[7:0]	

Register::DCR_LOW_LV_NUM_G_1 (ACCESS[D8,D9]) 0x18					
Name	Bits	R/W	Default	Comments	Config
LOW_LV_NUM_G_1	7:0	R	0	Dynamically detect the lowest level pixel number of green channel. GMIN_NUM[15:8]	

Register::DCR_LOW_LV_NUM_G_0 (ACCESS[D8,D9]) 0x19					
Name	Bits	R/W	Default	Comments	Config
LOW_LV_NUM_G_0	7:0	R	0	Dynamically detect the lowest level pixel number of green channel. GMIN_NUM[7:0]	

Register::DCR_HIGH_LV_VAL_G (ACCESS[D8,D9]) 0x1A					
Name	Bits	R/W	Default	Comments	Config
HIGH_LV_VAL_G	7:0	R	0	Dynamically detect the highest level value of green channel.	

Register::DCR_LOW_LV_VAL_G (ACCESS[D8,D9]) 0x1B					
Name	Bits	R/W	Default	Comments	Config
LOW_LV_VAL_G	7:0	R	0	Dynamically detect the lowest level value of green channel.	

Register::DCR_HIGH_LV_NUM_B_1 (ACCESS[D8,D9]) 0x1C					
Name	Bits	R/W	Default	Comments	Config

HIGH_LV_NUM_B_1	7:0	R	0	Dynamically detect the highest level pixel number of blue channel. BMAX_NUM[15:8]	
-----------------	-----	---	---	---	--

Register::DCR_HIGH_LV_NUM_B_0 (ACCESS[D8,D9]) 0x1D					
Name	Bits	R/W	Default	Comments	Config
HIGH_LV_NUM_B_0	7:0	R	0	Dynamically detect the highest level pixel number of blue channel. BMAX_NUM[7:0]	

Register::DCR_LOW_LV_NUM_B_1 (ACCESS[D8,D9]) 0x1E					
Name	Bits	R/W	Default	Comments	Config
LOW_LV_NUM_B_1	7:0	R	0	Dynamically detect the lowest level pixel number of blue channel. BMIN_NUM[15:8]	

Register::DCR_LOW_LV_NUM_B_0 (ACCESS[D8,D9]) 0x1F					
Name	Bits	R/W	Default	Comments	Config
LOW_LV_NUM_B_0	7:0	R	0	Dynamically detect the lowest level pixel number of blue channel. BMIN_NUM[7:0]	

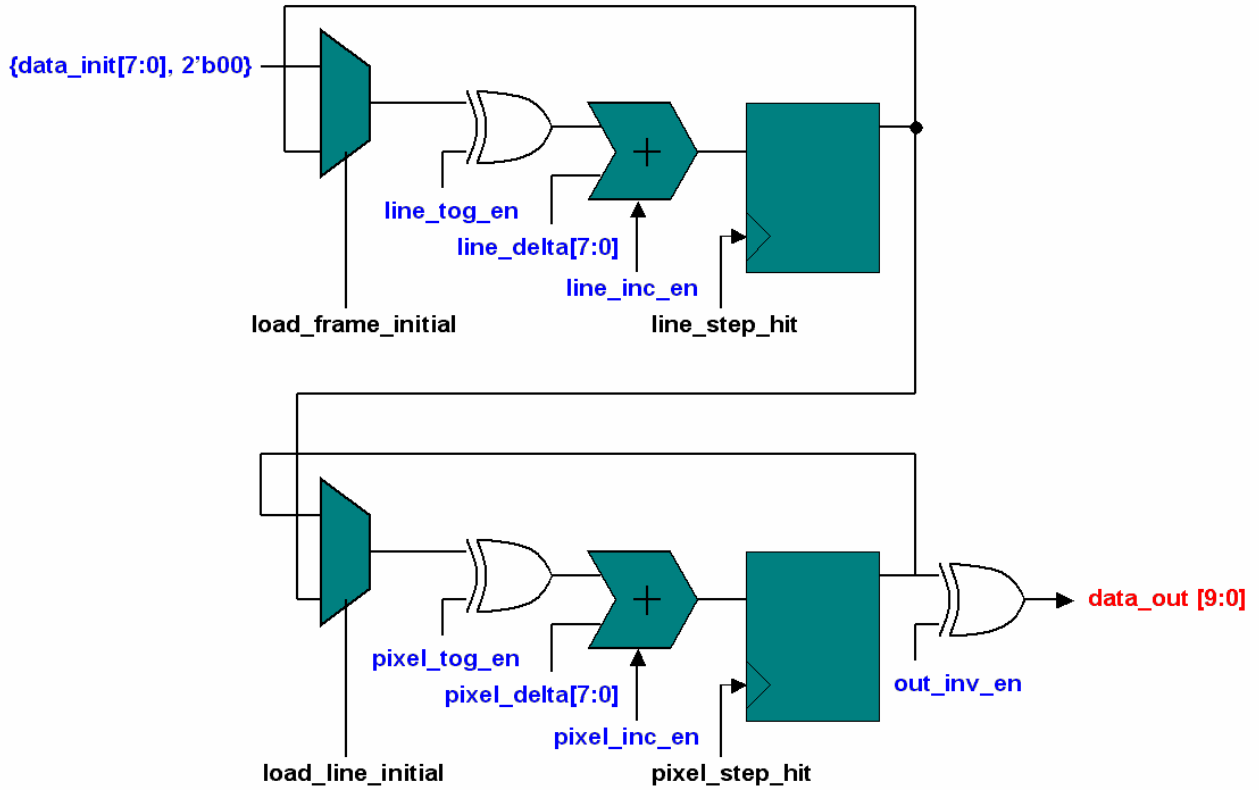
Register::DCR_HIGH_LV_VAL_B (ACCESS[D8,D9]) 0x20					
Name	Bits	R/W	Default	Comments	Config
HIGH_LV_VAL_B	7:0	R	0	Dynamically detect the highest level value of blue channel.	

Register::DCR_LOW_LV_VAL_B (ACCESS[D8,D9]) 0x21					
Name	Bits	R/W	Default	Comments	Config
LOW_LV_VAL_B	7:0	R	0	Dynamically detect the lowest level value of blue channel.	

Pattern Generator in Display Domain (Page 7)

RTD3182 supports programmable patterns, such as gray-level, chessboard, dot-pattern, etc., for

display image testing.



Register::DISP_PG_R_CTRL				0xF0		
Name	Bits	R/W	Default	Comments	Config	
PG_ENABLE	7	R/W	0	Dispaly Pattern Gen. Function Enable		
PG_R_CTRL_DUM	6	R/W	0	Dummy		
PG_ROUT_INV_EN	5	R/W	0	Inverse Data Output		
PG_R_CLAMP_EN	4	R/W	0	Adder result clamp to 10'h3FFF		
LINE_R_TOG_EN	3	R/W	0	Data toggled in each pixel-step		
LINE_R_INC_EN	2	R/W	0	Data increment in each line-step		
PIXEL_R_TOG_EN	1	R/W	0	Data toggled in each pixel-step		
PIXEL_R_INC_EN	0	R/W	0	Data incremented in each pixel-step		

Register::DISP_PG_G_CTRL				0xF1		
Name	Bits	R/W	Default	Comments	Config	
PG_G_CTRL_DUM	7:6	R/W	0	Dummy		
PG_GOUT_INV_EN	5	R/W	0	Inverse Data Output		
PG_G_CLAMP_EN	4	R/W	0	Adder result clamp to 10'h3FFF		

LINE_G_TOG_EN	3	R/W	0	Data toggled in each pixel-step	
LINE_G_INC_EN	2	R/W	0	Data increment in each line-step	
PIXEL_G_TOG_EN	1	R/W	0	Data toggled in each pixel-step	
PIXEL_G_INC_EN	0	R/W	0	Data incremented in each pixel-step	

Register::DISP_PG_B_CTRL 0xF2					
Name	Bits	R/W	Default	Comments	Config
PG_B_CTRL_DUM	7:6	R/W	0	Dummy	
PG_BOUT_INV_EN	5	R/W	0	Inverse Data Output	
PG_B_CLAMP_EN	4	R/W	0	Adder result clamp to 10'h3FFF	
LINE_B_TOG_EN	3	R/W	0	Data toggled in each pixel-step	
LINE_B_INC_EN	2	R/W	0	Data increment in each line-step	
PIXEL_B_TOG_EN	1	R/W	0	Data toggled in each pixel-step	
PIXEL_B_INC_EN	0	R/W	0	Data incremented in each pixel-step	

Register::DISP_PG_R_Initial 0xF3					
Name	Bits	R/W	Default	Comments	Config
PG_R_INIT	7:0	R/W	0	Initial Pattern Value for Red Data [9:2]	

Register::DISP_PG_G_Initial 0xF4					
Name	Bits	R/W	Default	Comments	Config
PG_G_INIT	7:0	R/W	0	Initial Pattern Value for Green Data [9:2]	

Register::DISP_PG_B_Initial 0xF5					
Name	Bits	R/W	Default	Comments	Config
PG_B_INIT	7:0	R/W	0	Initial Pattern Value for Blue Data [9:2]	

Register::DISP_PG_Pixel_Delta 0xF6					
Name	Bits	R/W	Default	Comments	Config
PG_PIXEL_DELTA	7:0	R/W	0	Pixel Delta value for incremental	

Register::DISP_PG_Line_Delta 0xF7					
Name	Bits	R/W	Default	Comments	Config
PG_LINE_DELTA	7:0	R/W	0	Line Delta value for incremental	

Register::DISP_PG_Pixel_Step_MSB 0xF8					
---------------------------------------	--	--	--	--	--

Name	Bits	R/W	Default	Comments	Config
PG_PIXEL_STEP_M	7:0	R/W	01h	Pixel Step for toggle/incremental, can not be 0	

Register::DISP_PG_Line_Step_MSB				0xF9	
Name	Bits	R/W	Default	Comments	Config
PG_LINE_STEP_M	7:0	R/W	01h	Line Step for toggle/incremental, can not be 0	

Register::DISP_PG Step_LSB				0xFA	
Name	Bits	R/W	Default	Comments	Config
LINE_STEP_DUM	7:6	R/W	0	Dummy	
PG_LINE_STEP_L	5:4	R/W	0	Decimal part for Line-step	
PIXEL_STEP_DUM	3:2	R/W	0	Dummy	
PG_PIXEL_STEP_L	1:0	R/W	0	Decimal part for Pixel-step	

Ex: If the pattern is 256 gray level in 640 pixels, the wanted pixel_step is $640/256 = 2.5$. Hence, PG_PIXEL_STEP_M = 2h and PG_PIXEL_STEP_L = 2'b10.

({PG_PIXEL_STEP_M, PG_PIXEL_STEP_L} = 2.5).





Reserved (Page A)

Reserved (Page B)

Reserved (Page C)



Register 1(page D)

Interrupt Control

Register::IRQ_Status					0xFF00	
Name	Bits	R/W	Default	Comments	Config	
Reserved	7	--	--	Reserved		
M2PLL_IRQ_EVENT	6	R/W	0	M2PLL-abnormal Event Status 1. Select M2PLL as clock source, but M2PLL power down, power saving or output disable, clear this bit to disable the interrupt	Rport Wport	
CEC_IRQ_EVENT	5	R/W	0	CEC Event Status 1. IF CEC func IRQ event occurred since the last status cleared	Rport Wport	
SCA_IRQ_EVENT	4	R/W	0	Scalar-related Event Status 1. IF Scalar integrated IRQ event occurred since the last status cleared	Rport Wport	
Reserved	3:1	--	0	Reserved to 0		
DDC_IRQ_EVENT	0	R/W	0	DDC Event Status 1: If the DDC IRQ event occurred since the last status cleared	Rport Wport	

Register:: REV_DUMMY1					0xFF02	
Name	Bits	R/W	Default	Comments	Config	
REV_DUMMY1	7:0	R/W	00	Dummy1		

DDC

RTD3580 has three DDC ports. The MCU can access the following three DDC interface:

- DDC_RAM1 (FD80~FDFF) through pin ASDL and ASDA by ADC DDC channel.
- DDC_RAM2 (FE00~FE7F) through pin DSDL and DSDA by DVI DDC channel.
-

Besides, the DDC_RAM1, DDC_RAM2, can be assigned from 128 to 256bytes. The actual

sizes of each DDC_RAM are determined by the combination of ADDCRAM_ST, DDDCRAM_ST, and HDDCRAM_ST. The DDC RAMs are shared with MCU's XSRAM, configuration must be take care for reserving XSRAM for programming. For example, Set ADDCRAM_ST = 0x2, DDDCRAM_ST = 0x3, , DVI DDC. The XSRAM for MCU is 512 bytes and ADC DDC/HDMI DDC is used with 256 bytes.

The DDC of RTD3580 is compliant with VESA DDC standard. All DDC slaves are in DDC1 mode after reset. When a high to low transition is detected on ASCL/DSCL pin, the DDC slave will enter DDC2 transition mode. The DDC slave can revert to DDC1 mode if the SCL signal keeps unchanged for 128 VSYNC periods in DDC2 transition mode and RVT_A_DDC1_EN / RVT_D_DDC1_EN = 1. In DDC2 transition mode, the DDC slave will lock in DDC2 mode if a valid control byte is received. Furthermore, user can force the DDC slave to operate DDC2 mode by setting A_DDC2 / D_DDC2 = 1.

Register:: ADC_SEGMENT_ADDRESS 0xFF19					
Name	Bits	R/W	Default	Comments	Config
ADC_SEG_ADDR	7:1	R/W	0x30	ADC slave address for segment control	
Reserved	0	--	--	Reserved	

Register:: ADC_SEGMENT_DATA 0xFF1A					
Name	Bits	R/W	Default	Comments	Config
ADC_SEG_DATA	7:0	R/W	0x00	Data Access for Slave ID, ADC_SEGMENT_ADDRESS, in ADC DDC	Rport Wport

Register::ADC_DDC_enable 0xFF1B					
Name	Bits	R/W	Default	Comments	Config
A_DDC_ADDR	7:5	R/W	0	ADC DDC Channel Address Least Significant 3 Bits (The default DDC channel address MSB 4 Bits is "A")	
A_SCL_DBN_SEL	4	R/W	0	SCL Debounce Clock Selection 0: De-bounce clock (after clock divider) 1: De-bounce reference clock	
A_DDC_W_STA	3	R/W	0	ADC DDC Write Status (for external DDC access only) It is cleared after write. (No matter what the data are)	Rport wport

A_DDCRAM_W_EN	2	R/W	0	ADC DDC SRAM Write Enable (for external DDC access only) 0: Disable 1: Enable	
A_DBN_EN	1	R/W	1	ADC DDC De-bounce Enable 0: Disable 1: Enable (with crystal/4)	
A_DDC_EN	0	R/W	0	ADC DDC Channel Enable Bit 0: MCU access Enable 1: DDC channel Enable	

Register::ADC_DDC_control_1						0xFF1C	
Name	Bits	R/W	Default	Comments	Config		
A_DBN_CLK_SEL	7:6	R/W	0	De-bounce clock divider 00: 1/1 reference clock 01: 1/2 reference clock 1X: 1/4 reference clock			
A_STOP_DBN_SEL	5:4	R/W	0	De-bounce sda stage 0X: latch one stage 10: latch two stage 11: latch three stage			
A_SYS_CK_SEL	3	R/W	0	De-bounce reference clock 0: crystal clock 1. Serial flash clock (M2PLL / Flash_DIV)			
A_DDC2	2	R/W	0	Force to ADC DDC to DDC2 mode 0: Normal operation 1: DDC2 is active			
RST_A_DDC	1	R/W	0	Reset ADC DDC circuit 0: Normal operation 1: reset (auto cleared)	Rport wport		
RVT_A_DDC1_EN	0	R/W	0	ADC DDC revert to DDC1 enable(SCL idle for 128 VSYNC) 0: Disable 1: Enable			

Register::ADC_DDC_control_2						0xFF1D					
Name	Bits	R/W	Default	Comments		Config					
A_SEG_WR_EN	7	R/W	0	Enable interrupt of ADC segment address write 0: Disable 1: Enable							
Reserved	6:2	--	--	Reserved							
A_SEG_WR	1	R/W	0	ADC DDC Segment Write Status 0: no external write after clear 1: new external write after clear It is cleared after write		Wport Rport					
A_FORCE_SCL_L	0	R/W	0	Force external SCL bus low 1: Driving SCL = 0 after external SCL = 0 0: Release SCL							

Register::DVI_DDC_enable						0xFF1E					
Name	Bits	R/W	Default	Comments		Config					
D_DDC_ADDR	7:5	R/W	0	DVI DDC Channel Address Least Significant 3 Bits (The default DDC channel address MSB 4 Bits is "A")							
D_SCL_DBN_SEL	4	R/W	0	SCL Debounce Clock Selection 0: De-bounce clock (after clock divider) 1: De-bounce reference clock							
D_DDC_W_STA	3	R/W	0	DVI DDC External Write Status (for external DDC access only) It is cleared after write.		Wport rport					
D_DDCRAM_W_EN	2	R/W	0	DVI DDC External Write Enable (for external DDC access only) 0: Disable 1: Enable							
D_DBN_EN	1	R/W	1	DVI DDC Debounce Enable 0: Disable 1: Enable (with crystal/4)							
D_DDC_EN	0	R/W	0	DVI DDC Channel Enable Switch 0: MCU access Enable 1: External DDC access Enable							

Register::DVI_DDC_control_1						0xFF1F					
Name	Bits	R/W	Default	Comments		Config					

D_DBN_CLK_SEL	7:6	R/W	0	De-bounce clock divider 00: 1/1 reference clock 01: 1/2 reference clock 1X: 1/4 reference clock	
D_STOP_DBN_SEL	5:4	R/W	0	De-bounce sda stage 0X: latch one stage 10: latch two stage 11: latch three stage	
D_SYS_CK_SEL	3	R/W	0	De-bounce reference clock 0: crystal clock 1. Serial flash clock (M2PLL / Flash_DIV)	
D_DDC2	2	R/W	0	Force to DVI DDC to DDC2 mode 0: Normal operation 1: DDC2 is active	
RST_D_DDC	1	R/W	0	Reset DVI DDC circuit 0: Normal operation 1: reset (auto cleared)	Rport wport
RVT_D_DDC1_EN	0	R/W	0	DVI DDC revert to DDC1 enable(SCL idle for 128 VSYNC) 0: Disable 1: Enable	

Register::DVI_DDC_control_2						0xFF20	
Name	Bits	R/W	Default	Comments	Config		
Reserved	7:2	--	--	Reserved			
D_SEG_WR	1	R/W	0	DVI DDC Segment Write Status 0: no external write after clear 1: new external write after clear It is cleared after write	Wport Rport		
D_FORCE_SCL_L	0	R/W	0	Force external SCL bus low 1: Driving SCL = 0 after external SCL = 0 0: Release SCL			

Register::DDCRAM_partition						0xFF21	
Name	Bits	R/W	Default	Comments	Config		
Reserved	7:6	-					
ADDCRAM_ST	5:4	R/W	0x3	ADDC RAM Start Address is 0x00 + ADDCRAM_ST*0x80, ADDCRAM SIZE =			

				DDDCRAM_ST – ADDCRAM_ST	
DDDCRAM_ST	3:2	R/W	0x3	DDDC RAM Start Address is 0x80 + DDDCRAM_ST*0x80, DDDCRAM SIZE = HDDCRAM_ST – DDDCRAM_ST	
Reserved	1:0			Reserved	

Register::VSYNC_Sel				0xFF22	
Name	Bits	R/W	Default	Comments	Config
Reserved	7:4	-			
VS_CON1	3:2	R/W	0	00: VSYNC1 signal is connected to ADC DDC 01: VSYNC1 signal is connected to DVI DDC 1x: VSYNC1 signal is not connected	
Reserved	1:0	--	0	Reserved	

DDC-CI

Register::IIC_set_slave				0xFF23	
Name	Bits	R/W	Default	Comments	Config
IIC_ADDR	7:1	R/W	37	IIC Slave Address to decode	
CH_SEL	0	R/W	0	Channel Select, overridden by HCH_SEL(0xFF2B[0]) = 1 0: from ADC DDC 1: from DVI DDC	

Register::IIC_sub_in				0xFF24	
Name	Bits	R/W	Default	Comments	Config
IIC_SUB_ADDR	7:0	R	00	IIC Sub-Address Received	

Register::IIC_data_in				0xFF25	
Name	Bits	R/W	Default	Comments	Config
IIC_D_IN	7:0	R	00	IIC data received. 16-bytes depth read in buffer mode	RPORT

Register::IIC_data_out				0xFF26	
Name	Bits	R/W	Default	Comments	Config
IIC_D_OUT	7:0	W	00	IIC data to be transmitted	Rport

					Wport
--	--	--	--	--	-------

Register::IIC_status				0xFF27	
Name	Bits	R/W	Default	Comments	Config
A_WR_I	7	R/W	0	If ADC DDC detects a STOP condition in write mode, this bit is set to “1” . Write 0 to clear.	Rport Wport
D_WR_I	6	R/W	0	If DVI DDC detects a STOP condition in write mode, this bit is set to “1” . Write 0 to clear.	Rport Wport
DDC_128VS1_I	5	R/W	0	In DDC2 Transition mode, SCL idle for 128 VSYNC. Write 0 to clear.	Rport Wport
STOP_I	4	R/W	0	If IIC detects a STOP condition(slave address must match), this bit is set to “1” . Write 0 to clear.	Rport Wport
D_OUT_I	3	R	0	If IIC_DATA_OUT loaded to serial-out-byte, this bit is set to “1”. Write IIC_data_out (FF25) to clear.	
D_IN_I	2	R	0	If IIC_DATA_IN latched, this bit is set to “1” . Read IIC_data_in (FF24) to clear.	
SUB_I	1	R/W	0	If IIC_SUB latched, this bit is set to “1” Write 0 to clear.	Rport Wport
SLV_I	0	R/W	0	If IIC_SLAVE latched, this bit is set to “1” Write 0 to clear.	Rport Wport

Register::IIC_IRQ_control				0xFF28	
Name	Bits	R/W	Default	Comments	Config
AWI_EN	7	R/W	0	0: Disable the A_WR_I signal as an interrupt source 1: Enable the A_WR_I signal as an interrupt source	
DWI_EN	6	R/W	0	0: Disable the D_WR_I signal as an interrupt source 1: Enable the D_WR_I signal as an interrupt source	
DDC_128VS11_EN	5	R/W	0	0: Disable the 128VS1_I signal as an interrupt source 1: Enable the 128VS1_I signal as an interrupt source	

STOPI_EN	4	R/W	0	0: Disable the STOP_I signal as an interrupt source 1: Enable the STOP_I signal as an interrupt source	
DOI_EN	3	R/W	0	0: Disable the D_OUT_I signal as an interrupt source 1: Enable the D_OUT_I signal as an interrupt source	
DII_EN	2	R/W	0	0: Disable the D_IN_I signal as an interrupt source 1: Enable the D_IN_I signal as an interrupt source	
SUBI_EN	1	R/W	0	0: Disable the SUB_I signal as an interrupt source 1: Enable the SUB_I signal as an interrupt source	
SLVI_EN	0	R/W	0	0: Disable the SLV_I signal as an interrupt source 1: Enable the SLV_I signal as an interrupt source	

Register::IIC_status2				0xFF29	
Name	Bits	R/W	Default	Comments	Config
IIC_FORCE_SCL_L	7	R/W	0	Force SCL = 0 when one of the following tow case happen: 1. IIC_BUF_FULL = 1 in write mode 2. IIC_BUF_EMPTY = 1 in read mode	
FORCE_NACK	6	R/W	0	Force IIC return NACK when one of the following tow case happen: IIC_BUF_FULL = 1 in write mode	
IIC_BUF_OV	5	R/W	0	IIC_DATA_BUFFER Overflow. Write '0' to clear	Rport Wport
IIC_BUF_UN	4	R/W	0	IIC_DATA_BUFFER Underflow. Write '0' to clear	Rport Wport
DDC_128VS2_I	3	R/W	0	In DDC2 Transition mode, SCL idle for 128 VSYNC. Write 0 to clear. Write '0' to clear	Rport Wport
IIC_BUF_FULL	2	R	0	IIC_DATA_BUFFER Full If IIC_DATA buffer is full, this bit is set to "1". (On-line monitor) The IIC_DATA buffer Full status will be on-line-monitor the condition, once it becomes full, it kept high, if it is not-full, then it goes low.	
IIC_BUF_EMPTY	1	R	0	IIC_DATA_BUFFER Empty	

				If IIC_DATA buffer is empty, this bit is set to “1”. (On-line monitor) The IIC_DATA buffer Empty status will be on-line-monitor the condition, once it becomes empty, it kept high, if it is not-empty, then it goes low.	
Reserved	0	R/W	0	Reserved	rport Wport

Register::IIC_IRQ_control2				0xFF2A	
Name	Bits	R/W	Default	Comments	Config
AUTO_RST_BUF	7	R/W	0	Auto reset IIC_DATA Buffer 0: disable 1: enable In host (pc) write enable, when IIC write (No START after IIC_SUB), reset IIC_DATA buffer.	
RST_DATA_BUF	6	R/W	0	Reset IIC_DATA buffer 0: Finish 1: Reset	Wport Rport
DATA_BUF_WEN	5	R/W	0	IIC_DATA buffer write enable 0: host (pc) write enable 1: slave (mcu) write enable Both PC and MCU can read IIC_DATA buffer, but only one can write IIC_DATA buffer.	
Dummy_2	4:3	R/W	0	Reserved	
DDC_BUF_FULL_EN	2	R/W	0	0: Disable the DDC_DATA_BUFFER Full signal as an interrupt source 1: Enable the DDC_DATA_BUFFER Full signal as an interrupt source	
DDC_BUF_EMPTY_EN	1	R/W	0	0: Disable the DDC_DATA_BUFFER Empty signal as an interrupt source 1: Enable the DDC_DATA_BUFFER Empty signal as an interrupt source	
Reserved	0			Reserved	

Register::IIC_channel_control				0xFF2B	
Name	Bits	R/W	Default	Comments	Config

Reserved	7:2	--	0	Reserved	
RLS_SCL_SU	1	R/W	0	Set IIC data Setup Time When holding SCL low 0: Use Delay Chain (~5ns) 1: Use Crystal Clock to increase data setup time relative to SCL clock line	
Reserved	0	--	0	Reserved	

The access ports below are used for external host interface only.

Register::ADC_DDC_INDEX 0XFF2F					
Name	Bits	R/W	Default	Comments	Config
A_DDC_INDEX	7:0	R/W	0	DDC SRAM Read/Write Index Register [7:0]	Rport Wport

Register::ADC_DDC_ACCESS_PORT 0XFF30					
Name	Bits	R/W	Default	Comments	Config
A_DDC_ACCESS_PORT	7:0	R/W	0	DDC SRAM Read/Write Port	Rport Wport

Register::DVI_DDC_INDEX 0XFF31					
Name	Bits	R/W	Default	Comments	Config
D_DDC_INDEX	7:0	R/W	0	DDC SRAM Read/Write Index Register [7:0]	Rport Wport

Register::DVI_DDC_ACCESS_PORT 0XFF32					
Name	Bits	R/W	Default	Comments	Config
D_DDC_ACCESS_PORT	7:0	R/W	0	DDC SRAM Read/Write Port	Rport Wport

Register:: DDCCI_REMAIN_DATA 0XFF35					
Name	Bits	R/W	Default	Comments	Config
Reserved	7:5	--	0	Reserved	
DDCCI_REMAIN_LEN	4:0	R	0	DDCCI Remaining data length (= write_pointer – read_pointer)	

Register:: DVI_SEGMENT_ADDRESS 0XFF36					
Name	Bits	R/W	Default	Comments	Config
DVI_SEG_ADDR	7:1	R/W	0x30	DVI DDC slave address for segment control	
Reserved	0	--	--	Reserved	

Register:: DVI_SEGMENT_DATA 0XFF37					
Name	Bits	R/W	Default	Comments	Config
DVI_SEG_DATA	7:0	R/W	0x00	Data Access for Slave ID, DVI_SEGMENT_ADDRESS, in DVI DDC	Rport Wport

PWM

RTD3580 supports 6 channels of PWM DAC. The resolution of each PWM is 12-bit. PWM0, PWM1, PWM2, are connected to DA0, DA1, DA2, respectively. The figure below represents the PWM clock generator. Based on the clock, we make up the PWM waveform which frequency is 1/4096 of the PWM clock.

The PWM duty registers have 12-bit resolution. These registers have double buffer mechanism. When write the MSB bit, the 12-bit data will be loaded.

The PWM frequency is :

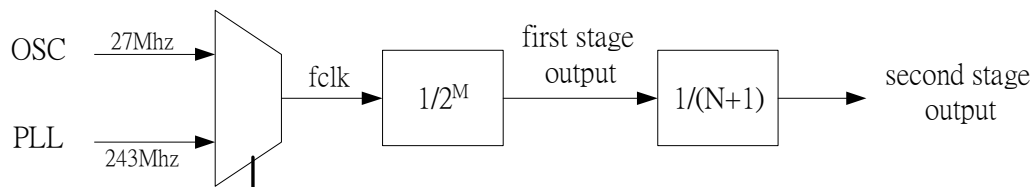
$$F_{pwm} = f_{clk} / 2^M / (N+1) / 4096$$

The PWM frequency range is :

fclk=27M, fpwm = 6.6KHz ~ 0.2Hz

fclk=243M, fpwm = 60KHz ~ 1.8Hz

PWM clock generator



Register::PWM_CK_SEL 0xFF3A	
-----------------------------	--

Name	Bits	R/W	Default	Comments	Config
PWM_CK_SEL_DUMMY	7:6	R/W	0	dummy	
Reserved	5:3			Reserved	
PWM2_CK_SEL	2	R/W	0	PWMx clock generator input source 0: Crystal 1: PLL output	
PWM1_CK_SEL	1	R/W	0	PWMx clock generator input source 0: Crystal 1: PLL output	
PWM0_CK_SEL	0	R/W	0	PWMx clock generator input source 0: Crystal 1: PLL output	

Register::PWM03_M					0xFF3B
Name	Bits	R/W	Default	Comments	Config
Reserved	7:6			Reserved	
PWM2_M	5:4	R/W	0	PWMx clock first stage divider	
PWM1_M	3:2	R/W	0	PWMx clock first stage divider	
PWM0_M	1:0	R/W	0	PWMx clock first stage divider	

Register::PWM45_M					0xFF3C
Name	Bits	R/W	Default	Comments	Config
PWM_M_DUMMY	7:4	R/W	0	dummy	
Reserved	3:0			Reserved	

Register::PWM01_N_MSB					0xFF3D
Name	Bits	R/W	Default	Comments	Config
PWM1H_N	7:4	R/W	0	PWMx clock Second stage divider MSB[11:8]	
PWM0H_N	3:0	R/W	0	PWMx clock Second stage divider MSB[11:8]	

Register::PWM0_N_LSB					0xFF3E
Name	Bits	R/W	Default	Comments	Config
PWM0L_N	7:0	R/W	0	PWMx clock Second stage divider LSB[7:0]	

Register::PWM1_N_LSB					0xFF3F
Name	Bits	R/W	Default	Comments	Config
PWM1L_N	7:0	R/W	0	PWMx clock Second stage divider LSB[7:0]	

Register::PWM23_N_MSB					0xFF40
Name	Bits	R/W	Default	Comments	Config
Reserved	7:4			Reserved	
PWM2H_N	3:0	R/W	0	PWMx clock Second stage divider MSB[11:8]	

Register::PWM2_N_LSB					0xFF41
Name	Bits	R/W	Default	Comments	Config
PWM2L_N	7:0	R/W	0	PWMx clock Second stage divider LSB[7:0]	

Register::PWML					0xFF46
Name	Bits	R/W	Default	Comments	Config
PWM_W_DB_WR	7	R/W	0	Write 1 to Set PWM_Width if PWM_W_DB_EN = 1'b1. Auto-Clear after PWM_Width was loaded	RPORT WPORT
PWM_W_DB_MODE	6	R/W	0	PWM Width Setting Double-Buffer Mode 0: Setting active after PWM_W_DB_WR = 1 1: Setting active after PWM_W_DB_WR = 1 & DVS.	
Reserved	5:3			Reserved	
PWM2L	2	R/W	0	0: enable Active H 1: enable Active L	
PWM1L	1	R/W	0	0: enable Active H 1: enable Active L	
PWM0L	0	R/W	0	0: enable Active H 1: enable Active L	

Register::PWM_VS_CTRL					0xFF47
Name	Bits	R/W	Default	Comments	Config

PWM_VS_CTRL_DUM	7:6	R/W	0	dummy	
Reserved	5:3			Reserved	
PWM2_VS_RST_EN	2	R/W	0	0: Disable 1: Enable PWM2 reset by DVS	
PWM1_VS_RST_EN	1	R/W	0	0: Disable 1: Enable PWM1 reset by DVS	
PWM0_VS_RST_EN	0	R/W	0	0: Disable 1: Enable PWM0 reset by DVS	

Register::PWM_EN					0xFF48	
Name	Bits	R/W	Default	Comments	Config	
PWM_W_DB_EN	7	R/W	0	0: PWM Width set when write MSB 1: PWM Width setting double-buffered enable		
PWM_WIDTH_SEL	6	R/W	0	0: PWMxL_DUT is active 1: PWMxL_DUT is inactive, forced to 4'h0 internally		
Reserved	5:3			Reserved		
PWM2_EN	2	R/W	0	0: PWM output disable 1: PWM output enable		
PWM1_EN	1	R/W	0	0: PWM output disable 1: PWM output enable		
PWM0_EN	0	R/W	0	0: PWM output disable 1: PWM output enable		

Register::PWM_CK					0xFF49	
Name	Bits	R/W	Default	Comments	Config	
PWM_CK_DUMMY	7:6	R/W	0	Dummy		
Reserved	5:3			Reserved		
PWM2_CK	2	R/W	0	0: Select first stage output 1: Select second stage output		
PWM1_CK	1	R/W	0	0: Select first stage output 1: Select second stage output		
PWM0_CK	0	R/W	0	0: Select first stage output 1: Select second stage output		

Register::PWM0H_DUT					0xFF4A	
Name	Bits	R/W	Default	Comments	Config	
PWM0H_DUT	7:0	R/W	0	PWM0[11:4] duty width When write the MSB bit (PWM_W_DB_EN=0) , the 12-bit	RPORT	

				data will be loaded.	WPORT
--	--	--	--	----------------------	--------------

Register::PWM1H_DUT					0xFF4B
Name	Bits	R/W	Default	Comments	Config
PWM1H_DUT	7:0	R/W	0	PWM1[11:4] duty width When write the MSB bit (PWM_W_DB_EN=0) , the 12-bit data will be loaded.	RPORT WPORT

Register::PWM01L_DUT					0xFF4C
Name	Bits	R/W	Default	Comments	Config
PWM1L_DUT	7:4	R/W	0	PWM1[3:0] duty width	RPORT WPORT
PWM0L_DUT	3:0	R/W	0	PWM0[3:0] duty width	RPORT WPORT

Register::PWM2H_DUT					0xFF4D
Name	Bits	R/W	Default	Comments	Config
PWM2H_DUT	7:0	R/W	0	PWM2[11:4] duty width When write the MSB bit (PWM_W_DB_EN=0) , the 12-bit data will be loaded.	RPORT WPORT

Register::PWM23L_DUT					0xFF4F
Name	Bits	R/W	Default	Comments	Config
Reserved	7:4			Reserved	
PWM2L_DUT	3:0	R/W	0	PWM2[3:0] duty width	RPORT WPORT

Register:: REV_DUMMY3					0xFF53
Name	Bits	R/W	Default	Comments	Config
REV_DUMMY3	7:0	R/W	00	Dummy3	

Register 2(page E)

0xFF76~0xFF93 Reserved

Pin-Share

Register:: PIN_SHARE_CTRL00				0xFF94	
Name	Bits	Read/Write	Reset State	Comments	Config
VIDEO8_SEL	7	R/W	0x0	Video8 Source Select 0: Pin47~48, Pin1~7 (QFN48) or Pin62~64, Pin1~6 (QFN64) <default> 1: Pin59, Pin62~63, Pin1~6 (QFN64)	
Reserved	6:3	R/W	0x00	reserved to 0	
SDRAM_en	2	R/W	0x00	SDRAM enable 0: no SDRAM <default> 1: MCM SDRAM	
SDRAM_size	1	R/W	0x0	SDRAM size 0: 1Mx16 SDRAM <default> 1: 1Mx32 SDRAM	
Package_Type	0	R/W	0x0	Package Type 0: 48pin package<default> 1: 64pin package	

Register:: PIN_SHARE_CTRL01				0xFF95	
Name	Bits	Read/Write	Reset State	Comments	Config
DQM3	7	R/W	0x0	SDR DQM3 (UDQM) – Data Input/Output Mask 0: non-active 1: active	
DQM2	6	R/W	0x0	SDR DQM2 (LDQM) – Data Input/Output Mask 0: non-active 1: active	
DQM1	5	R/W	0x0	SDR DQM1 – Data Input/Output Mask 0: non-active 1: active	
DQM0	4	R/W	0x0	SDR DQM0 – Data Input/Output Mask 0: non-active 1: active	
DDCSCL1	3:2	R/W	0x0	Pin44 (48pin) / Pin58 (64pin) (PAD_DDCSCL1) 00: DDCSCL <IO> <open-drain> <default> 01: PWM0 <O> 10: TCON7 <O> 11: AUX-CH_P0	
DDCSDA1	1:0	R/W	0x0	Pin43 (48pin) / Pin57 (64pin) (PAD_DDCSDA1) 00: DDCSDA <IO> <open-drain> <default> 01: PWM1 <O> 10: TCON9 <O> 11: AUX-CH_N0/IRQ Effectively only if CRFF95[3:2] != 2'b11,when	

				CRFF95[3:2]=11,output is AUX-CH_N0	
--	--	--	--	--	--

Register:: PIN_SHARE_CTRL01 0xFF96					
Name	Bits	Read/Write	Reset State	Comments	Config
DDCSDA2	7:6	R/W	0x0	Pin56 (64pin) (PAD_DDCSDA2) 00: DDCSDA <IO> <open-drain> <default> 01: MCK <O> 10: TCON11 <O> 11: AUX-CH_N1	
AUD_HOURL	5:4	R/W	0x0	Pin26 (64pin) 00: AUDIO (HOURL) <default> 01: TCON0 <O> 10: PWM0 <O>	
AUD_HOURL	3	R/W	0x0	Pin27-28 (64pin) 0: AUDIO (HOURL, REF) <default> 1: TCON7, TCON5 <O>	
DDCSDA2	2:0	R/W	0x0	Pin55 (64pin) (PAD_DDCSCL2) 000: DDCSCL <IO> <open-drain> <default> 001: SCK <O> 010: TCON8 <O> 011: AUX-CH_P1 100: IRQ <O>	

Register:: PIN_SHARE_CTRL03 0xFF97					
Name	Bits	Read/Write	Reset State	Comments	Config
Reserved	7:6	R/W	0x0	reserved to 0	
SPDIF0	5:4	R/W	0x0	Pin59 (64pin) (PAD_SPDIF0) 00: TCON10 <O> <default> 01: PWM1 <O> 10: SD0 <O> 11: SPDIF0 <O> Effectively only if CRFF96[7] = 1'b0	
SCL	3:2	R/W	0x0	Pin42 (48pin) / Pin54 (64pin) (PAD_SCL) 00: TCON13 <O> <default> 01: PWM2 <O> 10: WS <O> 11: SPDIF0 <O> Effectively only in 1-wire host interface condition	
CEC	1:0	R/W	0x0	Pin30 (64pin) (PAD_CEC) 00: CEC <O> <default> 01: PWM1 <O> 10: TCON3 <O> 11: Reserved	

Register:: PIN_DRIVING_CTRL10 0xFF98					
Name	Bits	Read/Write	Reset State	Comments	Config
E2CTRL10_7	7	R/W	0	Driving Current Control – Pin26~28 (64pin) 0: Low 1: High	
E2CTRL10_6	6	R/W	0	reserved to 0	
E2CTRL10_5_4	5:4	R/W	0x2	Driving Current Control – Pin21~38 (48pin) / Pin33~50 (64pin)	

				- TTL x0: 8mA x1: 12mA - LVDS 00: 2.5mA 01: 3.0mA 10: 3.5mA 11: 4.0mA	
E2CTRL10_3	3	R/W	0	Schmitt Trigger Control – Pin30 (64pin) 0: On 1: Off reserved to 0	
E2CTRL10_2	2	R/W	0	Slew Rate Control – Pin30 (64pin) 0: Fast 1: Slow reserved to 0	
E2CTRL10_1	1	R/W	0	Driving Current Control – Pin30 (64pin) 0: Low 1: High	
E2CTRL10_0	0	R/W	0	reserved to 0	

Register:: PIN_DRIVING_CTRL11 0xFF99					
Name	Bits	Read/Write	Reset State	Comments	Config
E2CTRL11_7	7	R/W	0	Schmitt Trigger Control – Pin41~42 (48pin) / Pin53~54 (64pin) 0: On 1: Off	
E2CTRL11_6	6	R/W	0	Slew Rate Control – Pin41~42 (48pin) / Pin53~54 (64pin) 0: Fast 1: Slow	
E2CTRL11_5	5	R/W	0	Driving Current Control – Pin41~42 (48pin) / Pin53~54 (64pin) 0: Low 1: High	
E2CTRL11_4	4	R/W	0	reserved to 0	
E2CTRL11_3	3	R/W	0	Schmitt Trigger Control – Pin55~56 (64pin) 0: On 1: Off reserved to 0	
E2CTRL11_2	2	R/W	0	Slew Rate Control – Pin55~56 (64pin) 0: Fast 1: Slow reserved to 0	
E2CTRL11_1	1	R/W	0	Driving Current Control – Pin55~56 (64pin) 0: Low 1: High	
E2CTRL11_0	0	R/W	0	reserved to 0	

Register:: PIN_DRIVING_CTRL12 0xFF9A					
Name	Bits	Read/Write	Reset State	Comments	Config
E2CTRL12_7	7	R/W	0	Schmitt Trigger Control – Pin43~44 (48pin) / Pin57~58 (64pin) 0: On 1: Off reserved to 0	
E2CTRL12_6	6	R/W	0	Slew Rate Control – Pin43~44 (48pin) /	

				Pin57-58 (64pin) 0: Fast 1: Slow reserved to 0	
E2CTRL12_5	5	R/W	0	Driving Current Control – Pin43~44 (48pin) / Pin57~58 (64pin) 0: Low 1: High	
E2CTRL12_4	4	R/W	0	reserved to 0	
E2CTRL12_3	3	R/W	0	Schmitt Trigger Control – Pin59 (64pin) 0: On 1: Off	
E2CTRL12_2	2	R/W	0	Slew Rate Control – Pin59 (64pin) 0: Fast 1: Slow	
E2CTRL12_1	1	R/W	0	Driving Current Control – Pin59 (64pin) 0: Low 1: High	
E2CTRL12_0	0	R/W	0	reserved to 0	

Register:: PIN_DRIVING_CTRL13				0xFF9B	
Name	Bits	Read/Write	Reset State	Comments	Config
E2CTRL13_7	7	R/W	0	Schmitt Trigger Control – SDR CLK 0: On 1: Off	
E2CTRL13_6	6	R/W	0	Slew Rate Control – SDR CLK 0: Fast 1: Slow	
E2CTRL13_5	5	R/W	0	Driving Current Control – SDR CLK 0: Low 1: High	
E2CTRL13_4	4	R/W	0	reserved to 0	
E2CTRL13_3	3	R/W	0	Schmitt Trigger Control – SDR Control 0: On 1: Off	
E2CTRL13_2	2	R/W	0	Slew Rate Control – SDR Control 0: Fast 1: Slow	
E2CTRL13_1	1	R/W	0	Driving Current Control – SDR Control 0: Low 1: High	
E2CTRL13_0	0	R/W	0	reserved to 0	

Register:: PIN_DRIVING_CTRL14				0xFF9C	
Name	Bits	Read/Write	Reset State	Comments	Config
E2CTRL14_7	7	R/W	0	Schmitt Trigger Control – DQ31~24 (DQ8~11) 0: On 1: Off	
E2CTRL14_6	6	R/W	0	Slew Rate Control – DQ31~24 (DQ8~11) 0: Fast 1: Slow	
E2CTRL14_5	5	R/W	0	Driving Current Control – DQ31~24 (DQ8~11) 0: Low 1: High	
E2CTRL14_4	4	R/W	0	reserved to 0	
E2CTRL14_3	3	R/W	0	Schmitt Trigger Control – DQ23~16 (DQ4~7) 0: On	

E2CTRL14_2	2	R/W	0	1: Off Slew Rate Control – DQ23~16 (DQ4~7) 0: Fast 1: Slow	
E2CTRL14_1	1	R/W	0	Driving Current Control – DQ23~16 (DQ4~7) 0: Low 1: High	
E2CTRL14_0	0	R/W	0	reserved to 0	

Register:: PIN_DRIVING_CTRL15 0xFF9D					
Name	Bits	Read/Write	Reset State	Comments	Config
E2CTRL15_7	7	R/W	0	Schmitt Trigger Control – DQ15~8 (DQ12~15) 0: On 1: Off	
E2CTRL15_6	6	R/W	0	Slew Rate Control – DQ15~8 (DQ12~15) 0: Fast 1: Slow	
E2CTRL15_5	5	R/W	0	Driving Current Control– DQ15~8 (DQ12~15) 0: Low 1: High	
E2CTRL15_4	4	R/W	0	reserved to 0	
E2CTRL15_3	3	R/W	0	Schmitt Trigger Control – DQ7~0 (DQ0~3) 0: On 1: Off	
E2CTRL15_2	2	R/W	0	Slew Rate Control – DQ7~0 (DQ0~3) 0: Fast 1: Slow	
E2CTRL15_1	1	R/W	0	Driving Current Control – DQ7~0 (DQ0~3) 0: Low 1: High	
E2CTRL15_0	0	R/W	0	reserved to 0	

Register:: PIN_DRIVING_CTRL16 0xFF9E					
Name	Bits	Read/Write	Reset State	Comments	Config
E2CTRL16_7	7	R/W	0	Schmitt Trigger Control – SDR Address 0: On 1: Off	
E2CTRL16_6	6	R/W	0	Slew Rate Control – SDR Address 0: Fast 1: Slow	
E2CTRL16_5	5	R/W	0	Driving Current Control – SDR Address 0: Low 1: High	
E2CTRL16_4	4	R/W	0	reserved to 0	
E2CTRL16_3	3	R/W	0	Schmitt Trigger Control – SDR DQM 0: On 1: Off	
E2CTRL16_2	2	R/W	0	Slew Rate Control – SDR DQM 0: Fast 1: Slow	
E2CTRL16_1	1	R/W	0	Driving Current Control – SDR DQM 0: Low 1: High	
E2CTRL16_0	0	R/W	0	reserved to 0	

Address: 0xFF9F Reserved to 0

CEC function

CEC Control Register

In CEC function, write_reg pulses should have distances larger than 3 XTAL clk period at least.

Register:: cec_cr 1		0xFFAA			
Name	Bits	R/W	Default	Comments	Config
Reserved	7:5	--	--		
ini_adr_sel	4	R/W	0	1:initial address change 0:use original address	
ini_adr	3:0	R/W	0x1	Initial address when ini_adr_sel = 1	

Register::cec_cr0		0xFFAB			
Name	Bits	R/W	Default	Comments	Config
cec_mode	7:6	R/W	0x0	00: Disable CEC module 01: Enable CEC Normal Operation 10: PAD Output Test Mode. 11: Digital Loopback, Tx Data will be loopback before PAD . Note. 1. As CEC module is disabled, RX will not ACK any transaction which destination address is the same with CECLOCADDR or 0xf.	
test_mode_pad_data	5	R/W	0x1	0: CEC PAD output low 1: CEC PAD output high	
test_mode_pad_en	4	R/W	0x0	0 : output high impedance 1 : PAD output enable This bit is active with CEC_Mode=10 only.	
logical_addr	3:0	R/W	0xF	CEC device logical (local) address	

Register::cec_cr1		0xFFAC			
Name	Bits	R/W	Default	Comments	Config
timer_div	7:0	R/W	0x14	DAC ENP(Enable Pulse) divides into Timer Enable Pulse. And Timer Enable Pulse is equal to Input Sample Enable Pulse. Its default value is 0.8MHz divides into 20 to 40KHz(25us). CEC clock frequency is used for the bit timers in the receiver and transmitter modes.	

Register::cec_cr2		0xFFAD			
Name	Bits	R/W	Default	Comments	Config
pre_div	7:0	R/W	0x21	Divisor for CEC DAC Clock BusCLK CECDiv CK_CEC 162MHz 202 0.8019MHz	

				27MHz	33	0.8182MHz	
--	--	--	--	-------	----	-----------	--

Register::cec_cr3		0xFFAE					
Name	Bits	R/W	Default	Comments		Config	
unreg_ack_en	7	R/W	0x0	If rx logical addr = 0xF, when receiving a broadcast signal (destination addr = 0xF) 1 : response ack 2 : non to response ack			
pad_s_ctrl	6:5	R/W	0x1	CEC PAD Current Control of Charge Pump 00: 0.75 uA 01: 1 uA 10: 1.25 uA 11: 1.5 uA			
pad_delay	4:0	R/W	0x03	The delay from CEC PAD going high to being disable. Delay: (1+CECPADDELAY)*25us Typical Value: 01~03 (50us~100us) For Normal Mode only.			

Register::cec_rt0		0xFFAF					
Name	Bits	R/W	Default	Comments		Config	
cec_rt0_rsv	7:6	R/W	0x0	Reserved Register			
wt_cnt	5:0	R	-	Retry Wait Time			

Register::cec_rt1		0xFFB0					
Name	Bits	R/W	Default	Comments		Config	
cec_rt1_rsv	7:5	R/W	0x0				
lattest	4	R	-	1: The last initiator own CEC bus is this device			
retry_no	3:0	R/W	0x5	Maximum re-transmission times for a single frame, when device is a initiator and device detect low impedance error. In continue mode, retry is inactive.			

Register::cec_rx0		0xFFB1					
Name	Bits	R/W	Default	Comments		Config	
rx_en	7	R	-	Write 1 to enable Rx As CEC_enable=1 and CECRxEn=0, RX will ACK the transaction which destination address is the same with CECLOCADDR or 0xf		wclr_out	
rx_rst	6	R/W	0x0	Write 1 to reset Rx State and its FIFO status After finishing each transaction, software should reset Rx part to clear CECRxEOM, CECRxINT and CECRxFIFOov status bits.			
rx_continuous	5	R/W	0x0	0/1 : Normal mode / Continuous mode In continuous mode, RxINT will be set to 1 when Rx receive new 8 bytes or EOM. In normal mode, RxINT will be set to 1 iff Rx receive EOM.			
rx_int_en	4	R/W	0x0	1 : CEC Rx interrupt enable If enabled, hardware will trigger interrupt per 8 bytes received or EOM			
init_addr	3:0	R	-	The latest Initiator Address (when device is a follower)			

Register::cec_rx1		0xFFB2					
Name	Bits	R/W	Default	Comments		Config	
rx_eom	7	R	-	When EOM is received, RxEn will be reset to 0 and			

				RxINT will be set to 1.	
rx_int	6	R	-	1 : CEC Rx interrupt pending (write 1 to clear)	wclr_out
rx_fifo_ov	5	R	-	1 : Overflow status for CEC 16-byte FIFO	
rx_fifo_cnt	4:0	R	-	The number of byte has been received by Rx	

Register::cec_tx0		0xFFB3			
Name	Bits	R/W	Default	Comments	Config
tx_en	7	R	-	Write 1 to enable Tx transmission Tx will detect signal free time, and then transmission and re-try automatically.	wclr_out
tx_rst	6	R/W	0x0	Write 1 to reset Tx State and its FIFO status After finishing each transaction, software should reset Tx part to clear CECTxEOM, CECTxINT and CECTxFIFOud status bits.	
tx_continuous	5	R/W	0x0	Tx continuous mode 0: Normal mode 1: Continuous mode, software should clear this bit as the last byte is written into Tx FIFO to indicate the end of transmitting data.	
tx_int_en	4	R/W	0x0	1 : CEC Tx interrupt enable If enabled, hardware will trigger interrupt per 8 bytes transmitted or EOM	
dest_addr	3:0	R/W	0x0	Destination Address (when device is a initiator)	

Register::cec_tx1		0xFFB4			
Name	Bits	R/W	Default	Comments	Config
tx_eom	7	R	-	The transmission has ended.	
tx_int	6	R	-	1 : CEC Tx interrupt pending (write 1 to clear)	wclr_out
tx_fifo_ud	5	R	-	1 : Underflow status for CEC 16-byte Tx FIFO	
tx_fifo_cnt	4:0	R	-	The number of byte will been transmitted by Tx	

Note : following table illustrates the status with the combination of CECTxEn, CECTxEOM, CECTxINT and CECTxContinue after transmitting.

	CECTxEn	CECTxEOM	CECTxINT	CECTxContinue
Complete transmission incorrectly and not in Continue Mode	0	0	1	0
Complete transmission correctly and not in Continue Mode	0	1	1	0
Complete transmission incorrectly and in Continue Mode	0	0	1	0
Transmitted 8 bytes correctly and still in Continue Mode, software should push data into Tx fifo as necessary	1	0	1	1
Complete transmission and in Continue Mode	0	1	1	0 (because software clear to 0 after pushing)

				remaining datum into TX fifo)
TX fifo is underflow (in continue mode only) Note : this is the same with CECTxFIFOud=1	0	0	1	1

Register::cec_tx_fifo		0xFFB5			
Name	Bits	R/W	Default	Comments	Config
tx_dat	7:0	R/W	-	Tx FIFO data output port	rport wport

Register::cec_rx_fifo		0xFFB6			
Name	Bits	R/W	Default	Comments	Config
rx_dat	7:0	R/W	-	Rx FIFO data input port	rport wport

Register::cec_rx_start0		0xFFB7			
Name	Bits	R/W	Default	Comments	Config
rx_start_low	7:0	R/W	0x8C	Minimum width (3.5ms)	

Register::cec_rx_start1		0xFFB8			
Name	Bits	R/W	Default	Comments	Config
rx_start_period	7:0	R/W	0xBC	Maximum width (4.7ms)	

Register::cec_rx_data0		0xFFB9			
Name	Bits	R/W	Default	Comments	Config
rx_data_sample	7:0	R/W	0x2A	Sample Time (1.05ms)	

Register::cec_rx_data1		0xFFBA			
Name	Bits	R/W	Default	Comments	Config
rx_data_period	7:0	R/W	0x52	Minimum data bit width (2.05ms)	

Register::cec_tx_start0		0xFFBB			
Name	Bits	R/W	Default	Comments	Config
tx_start_low	7:0	R/W	0x94	3.7ms (0.025*148)	

Register::cec_tx_start1		0xFFBC			
Name	Bits	R/W	Default	Comments	Config
tx_start_high	7:0	R/W	0x20	0.8ms (4.5ms – 3.7ms)	

Register::cec_tx_data0		0xFFBD			
Name	Bits	R/W	Default	Comments	Config
tx_data_low	7:0	R/W	0x18	0.6ms	

Register::cec_tx_data1		0xFFBE			
Name	Bits	R/W	Default	Comments	Config
tx_data_01	7:0	R/W	0x24	0.9ms	

Register::cec_tx_data2		0xFFBF			
Name	Bits	R/W	Default	Comments	Config
tx_data_high	7:0	R/W	0x24	0.9ms	

Register 3(page F)

CEC Analog Function

Register::AUT_OK_CONTROL				0xFFE7	
Name	Bits	R/W	Default	Comments	Config
CEC27k_EN	7	R/W	1	27K pull up resistor enable 0: Disable 1: Enable	
CEC27K_AUTOK	6	R/W	1	CEC 27K pull up resistor auto calibration enable 0: Disable 1: Enable	
CEC_ENTST	5	R/W	0	CEC debug enable 0: Disable 1: Enable	
CEC27K_ADJR	4:0	R/W	0x10	CEC 27K pull up resistor hand mode setting:	

Register::CEC_ANALOG_R				0xFFE8	
Name	Bits	R/W	Default	Comments	Config
Reserved	7	--	--	Reserved to 0	
CEC_TST	6:1	R	-	CEC block debug signal out	
CEC_Z0_OK	0	R	-	CEC 27K Calibration	

Register:: REV_DUMMY4				0xFFE9	
Name	Bits	R/W	Default	Comments	Config
REV_DUMMY4	7:0	R/W	00	Dummy4	

Register::MCU_control 0xFFED					
Name	Bits	R/W	Default	Comments	Config
Reserved	7:6	--	--	Reserved	
FLASH_CLK_DIV	5:2	R/W	2	SPI-FLASH clock divider, its clock source is selected by MCU_CLK_SEL, default is MCU_CLK_SEL/2	
MCU_CLK_SEL	1	R/W	0	CPU clock source select 0: CPU clock is from Crystal divided by DIV 1: CPU clock is from PLL divided by DIV	
Reserved	0	--	--	Reserved	

Register::MCU_clock_control 0xFFEE					
Name	Bits	R/W	Default	Comments	Config
Reserved	7:6	--	--	Reserved	
MCU_CLK_DIV	5:2	R/W	1	MCU clock is FLASH clock/MCU_CLK_DIV.	
SOF_RST	1	R/W	0	Software reset mcu 0: No effect 1: reset RTD3580	Rport Wport
SCA_HRST	0	R/W	0	Hardware reset for Scalar 0: No effect 1: reset SCALAR module	

Register::RAM_test 0xFFEF					
Name	Bits	R/W	Default	Comments	Config
reserved	7:4	--	0	Reserved	
EXT_RAM_BIST	3	R/W	0	Start BIST function for MCU external RAM (512 bytes) 0: finished and clear 1: start	Rport Wport

EXT_RAM_STA	2	R	0	Test result about MCU external RAM 0: fail 1: ok	
reserved	1:0	--	0	Reserved	



Embedded OSD

Addressing and Accessing Register

ADDRESS	BIT							
	7	6	5	4	3	2	1	0
High Byte	A15	A14	A13	A12	A11	A10	A9	A8
Low Byte	A7	A6	A5	A4	A3	A2	A1	A0

Figure 4. Addressing and Accessing Registers

Date	BIT							
Byte 0	D7	D6	D5	D4	D3	D2	D1	D0
Byte 1	D7	D6	D5	D4	D3	D2	D1	D0
Byte 2	D7	D6	D5	D4	D3	D2	D1	D0

Figure 2. Data Registers

All kind of registers can be controlled and accessed by these 2 bytes, and each address contains 3-byte data, details are described as follows:

Write mode: [A15:A14] select which byte to write

-00: Byte 0 -01:Byte 1 -10: Byte 2 -11: All

**All data are sorted by these three Bytes (Byte0~Byte2)*

[A13] Auto Load (Double Buffer)

[A12] Address indicator

-0: Window and frame control registers.

-1: Font Select and font map SRAM

[A11:A0] Address mapping

- Font Select and font map SRAM address: 000~EFF **3.75k*3byte**

-Frame control register address: 000~0xx (**Latch**)

-Window control register address: 100~1xx (**Latch**)

** Selection of SRAM address or Latch address selection is determined by A12!*

Example:

Bit [15:14]=00

-All data followed are written to byte0 and address increases.

Byte0 → Byte0 → Byte0... (Address will auto increase)

Bit [15:14] =01

-All data followed are written to byte1 and address increases.

Byte1 → Byte1 → Byte1... (Address will auto increase)

Bit [15:14] =11

- Address will be increased after each 3-byte data written.

Byte0 → Byte1 → Byte2 → Byte0 → Byte1 → Byte2... (Address will auto increase)

Window control registers

- Windows all support shadow/border/3D button
- Window0, 5, 6, 7 support gradient functions.
- Window 4, 5, 6, 7 start/end resolution are 1line(pixel), Window 0, 1, 2, 3 start/end resolution are 4line(pixel),
- All window start and end position include the *special effect (border/shadow/3D button)* been assigned
- Font comes after windows by 10 pixels, so you should compensate 10 pixels on windows to meet font position

Window 0 Shadow/Border/Gradient

Address: 100h

Byte 0

Bit	Mode	Function
7:6	--	Reserved
5:3	W	Window 0 shadow/border width or 3D button thickness in pixel unit 000~111: 1 ~ 8 pixel
2:0	W	Window 0 shadow/border height in line unit 000~111: 1 ~ 8 line It must be the same as bit[5:3] for 3D button thickness

Byte 1

Bit	Mode	Function
7:4	W	Window 0 shadow color index in 16-color LUT For 3D window, it is the left-top/bottom border color
3:0	W	Window 0 border color index in 16-color LUT For 3D window, it is the right-bottom/top border color

Byte 2

Bit	Mode	Function
-----	------	----------

7	W	R Gradient Polarity 0: Decrease 1: Increase
6	W	G Gradient Polarity 0: Decrease 1: Increase
5	W	B Gradient Polarity 0: Decrease 1: Increase
4:3	W	Gradient level 00: 1 step per level 01: Repeat 2 step per level 10: Repeat 3 step per level 11: Repeat 4 step per level
2	W	Enable Red Color Gradient
1	W	Enable Green Color Gradient
0	W	Enable Blue Color Gradient

Window 0 start position**Address: 101h**

Byte 0

Bit	Mode	Function
7:2	W	Window 0 horizontal start [5:0]
1	W	Window 0 horizontal start [11] pixel
0	W	Window 0 vertical start [11] line

Byte 1

Bit	Mode	Function
7:5	W	Window 0 vertical start [2:0] line
4:0	W	Window 0 horizontal start [10:6] pixel

Byte 2

Bit	Mode	Function
7:0	W	Window 0 vertical start [10:3] line

Start position must be increments of four.

Window 0 end position**Address: 102h**

Byte 0

Bit	Mode	Function
7:2	W	Window 0 horizontal end [5:0]
1	W	Window 0 horizontal end [11] pixel
0	W	Window 0 vertical end [11] line

Byte 1

Bit	Mode	Function
7:5	W	Window 0 vertical end [2:0] line
4:0	W	Window 0 horizontal end [10:6] pixel

Byte 2

Bit	Mode	Function
7:0	W	Window 0 vertical end [10:3] line

- End position must be increments of four.

Window 0 control**Address: 103h**

Byte 0

Bit	Mode	Function
7:0	--	Reserved

Byte 1

Bit	Mode	Function
7	--	Reserved

6:4	W	111: 7 level per gradient 110: 6 level per gradient 101: 5 level per gradient 100: 4 level per gradient 011: 3 level per gradient 010: 2 level per gradient 001: 1 level per gradient 000: 8 level per gradient
3:0	W	Window 0 color index in 16-color LUT

Byte 2

default: 00h

Bit	Mode	Function
7	W	Reserved
6	W	Gradient function 0: Disable 1: Enable
5	W	Gradient direction 0: Horizontal 1: Vertical
4	W	Shadow/Border/3D button 0: Disable 1: Enable
3:1	W	Window 0 Type 000: Shadow Type 1 001: Shadow Type 2 010: Shadow Type3 011: Shadow Type 4 100: 3D Button Type 1 101: 3D Button Type 2 110: Reserved 111: Border
0	W	Window 0 Enable 0: Disable 1: Enable

Window 1 Shadow/Border/Gradient**Address: 104h**

Byte 0

Bit	Mode	Function
7:6	W	Reserved
5:3	W	Window 1 shadow/border width or 3D button thickness in pixel unit 000~111: 1 ~ 8 pixel
2:0	W	Window 1 shadow/border height in line unit 000~111: 1 ~ 8 line It must be the same as bit[5:3] for 3D button thickness

Byte 1

Bit	Mode	Function
7:4	W	Window 1 shadow color index in 16-color LUT For 3D window, it is the left-top/bottom border color
3:0	W	Window 1 border color index in 16-color LUT For 3D window, it is the right-bottom/top border color

Byte 2

Bit	Mode	Function
7:0	W	Reserved

Window 1 start position**Address: 105h**

Byte 0

Bit	Mode	Function
7:2	W	Window 1 horizontal start [5:0]
1	W	Window 1 horizontal start [11] pixel
0	W	Window 1 vertical start [11] line

Byte 1

Bit	Mode	Function
7:5	W	Window 1 vertical start [2:0] line
4:0	W	Window 1 horizontal start [10:6] pixel

Byte 2

Bit	Mode	Function
7:0	W	Window 1 vertical start [10:3] line

Start position must be increments of four.

Window 1 end position**Address: 106h**

Byte 0

Bit	Mode	Function
7:2	W	Window 1 horizontal end [5:0]
1	W	Window 1 horizontal end [11] pixel
0	W	Window 1 vertical end [11] line

Byte 1

Bit	Mode	Function
7:5	W	Window 1 vertical end [2:0] line
4:0	W	Window 1 horizontal end [10:6] pixel

Byte 2

Bit	Mode	Function
7:0	W	Window 1 vertical end [10:3] line

End position must be increments of four.

Window 1 control**Address: 107h**

Byte 0

Bit	Mode	Function
7:0	--	Reserved

Byte 1

Bit	Mode	Function
7:4	--	Reserved
3:0	W	Window 1 color index in 16-color LUT

Byte 2

default: 00h

Bit	Mode	Function
7:5	W	Reserved
4	W	Shadow/Border/3D button 0: Disable 1: Enable
3:1	W	Window 1 Type 000: Shadow Type 1 001: Shadow Type 2 010: Shadow Type3 011: Shadow Type 4 100: 3D Button Type 1 101: 3D Button Type 2 110: Reserved 111: Border
0	W	Window 1 Enable 0: Disable 1: Enable

Window 2 Shadow/Border/Gradient**Address: 108h**

Byte 0

Bit	Mode	Function
7:6	W	Reserved
5:3	W	Window 2 shadow/border width or 3D button thickness in pixel unit 000~111: 1 ~ 8 pixel
2:0	W	Window 2 shadow/border height in line unit 000~111: 1 ~ 8 line It must be the same as bit[5:3] for 3D button thickness

Byte 1

Bit	Mode	Function
7:4	W	Window 2 shadow color index in 16-color LUT For 3D window, it is the left-top/bottom border color
3:0	W	Window 2 border color index in 16-color LUT For 3D window, it is the right-bottom/top border color

Byte 2

Bit	Mode	Function
7:0	W	Reserved

Window 2 start position

Address: 109h

Byte 0

Bit	Mode	Function
7:2	W	Window 2 horizontal start [5:0]
1	W	Window 2 horizontal start [11] pixel
0	W	Window 2 vertical start [11] line

Byte 1

Bit	Mode	Function
7:5	W	Window 2 vertical start [2:0] line
4:0	W	Window 2 horizontal start [10:6] pixel

Byte 2

Bit	Mode	Function
7:0	W	Window 2 vertical start [10:3] line

Start position must be increments of four.

Window 2 end position

Address: 10Ah

Byte 0

Bit	Mode	Function
7:2	W	Window 2 horizontal end [5:0]
1	W	Window 2 horizontal end [11] pixel
0	W	Window 2 vertical end [11] line

Byte 1

Bit	Mode	Function
7:5	W	Window 2 vertical end [2:0] line
4:0	W	Window 2 horizontal end [10:6] pixel

Byte 2

Bit	Mode	Function
7:0	W	Window 2 vertical end [10:3] line

End position must be increments of four.

Window 2 control

Address: 10Bh

Byte 0

Bit	Mode	Function
7:0	--	Reserved

Byte 1

Bit	Mode	Function
7:4	--	Reserved
3:0	W	Window 2 color index in 16-color LUT

Byte 2

default: 00h

Bit	Mode	Function
7:5	W	Reserved
4	W	Shadow/Border/3D button 0: Disable 1: Enable
3:1	W	Window 2 Type 000: Shadow Type 1 001: Shadow Type 2 010: Shadow Type3 011: Shadow Type 4 100: 3D Button Type 1 101: 3D Button Type 2 110: Reserved 111: Border
0	W	Window 2 Enable 0: Disable 1: Enable

Window 3 Shadow/Border/Gradient

Address: 10Ch

Byte 0

Bit	Mode	Function
7:6	W	Reserved
5:3	W	Window 3 shadow/border width or 3D button thickness in pixel unit 000~111: 1 ~ 8 pixel
2:0	W	Window 3 shadow/border height in line unit 000~111: 1 ~ 8 line It must be the same as bit[5:3] for 3D button thickness



Byte 1

Bit	Mode	Function
7:4	W	Window 3 shadow color index in 16-color LUT For 3D window, it is the left-top/bottom border color
3:0	W	Window 3 border color index in 16-color LUT For 3D window, it is the right-bottom/top border color

Byte 2

Bit	Mode	Function
7:0	W	Reserved

Window 3 start position

Address: 10Dh

Byte 0

Bit	Mode	Function
7:2	W	Window 3 horizontal start [5:0]
1	W	Window 3 horizontal start [11] pixel
0	W	Window 3 vertical start [11] line

Byte 1

Bit	Mode	Function
7:5	W	Window 3 vertical start [2:0] line
4:0	W	Window 3 horizontal start [10:6] pixel

Byte 2

Bit	Mode	Function
7:0	W	Window 3 vertical start [10:3] line

Start position must be increments of four.

Window 3 end position

Address: 10Eh

Byte 0

Bit	Mode	Function
7:2	W	Window 3 horizontal end [5:0]
1	W	Window 3 horizontal end [11] pixel
0	W	Window 3 vertical end [11] line

Byte 1

Bit	Mode	Function
7:5	W	Window 3 vertical end [2:0] line
4:0	W	Window 3 horizontal end [10:6] pixel

Byte 2

Bit	Mode	Function
-----	------	----------



7:0	W	Window 3 vertical end [10:3] line
-----	---	-----------------------------------

End position must be increments of four.

Window 3 control

Address: 10Fh

Byte 0

Bit	Mode	Function
7:0	--	Reserved

Byte 1

Bit	Mode	Function
7:4	--	Reserved
3:0	W	Window 3 color index in 16-color LUT

Byte 2

default: 00h

Bit	Mode	Function
7:5	W	Reserved
4	W	Shadow/Border/3D button 0: Disable 1: Enable
3:1	W	Window 3 Type 000: Shadow Type 1 001: Shadow Type 2 010: Shadow Type3 011: Shadow Type 4 100: 3D Button Type 1 101: 3D Button Type 2 110: Reserved 111: Border
0	W	Window 3 Enable 0: Disable 1: Enable

Window 4 Shadow/Border/Gradient

Address: 110h

Byte 0

Bit	Mode	Function
7:6	W	Reserved
5:3	W	Window 4 shadow/border width or 3D button thickness in pixel unit 000~111: 1 ~ 8 pixel
2:0	W	Window 4 shadow/border height in line unit 000~111: 1 ~ 8 line

		It must be the same as bit[5:3] for 3D button thickness
--	--	---

Byte 1

Bit	Mode	Function
7:4	W	Window 4 shadow color index in 16-color LUT For 3D window, it is the left-top/ bottom border color
3:0	W	Window 4 border color index in 16-color LUT For 3D window, it is the right-bottom/top border color

Byte 2

Bit	Mode	Function
7:0	W	Reserved

Window 4 start position

Address: 111h

Byte 0

Bit	Mode	Function
7:2	W	Window 4 horizontal start [5:0]
1	W	Window 4 horizontal start [11] pixel
0	W	Window 4 vertical start [11] line

Byte 1

Bit	Mode	Function
7:5	W	Window 4 vertical start [2:0] line
4:0	W	Window 4 horizontal start [10:6] pixel

Byte 2

Bit	Mode	Function
7:0	W	Window 4 vertical start [10:3] line

Window 4 end position

Address: 112h

Byte 0

Bit	Mode	Function
7:2	W	Window 4 horizontal end [5:0]
1	W	Window 4 horizontal end [11] pixel
0	W	Window 4 vertical end [11] line

Byte 1

Bit	Mode	Function
7:5	W	Window 4 vertical end [2:0] line
4:0	W	Window 4 horizontal end [10:6] pixel

Byte 2

Bit	Mode	Function
7:0	W	Window 4 vertical end [10:3] line

Window 4 control**Address: 113h**

Byte 0

Bit	Mode	Function
7:0	--	Reserved

Byte 1

Bit	Mode	Function
7:4	--	Reserved
3:0	W	Window 4 color index in 16-color LUT

Byte 2

default: 00h

Bit	Mode	Function
7:5	W	Reserved
4	W	Shadow/Border/3D button 0: Disable 1: Enable
3:1	W	Window 4 Type 000: Shadow Type 1 001: Shadow Type 2 010: Shadow Type3 011: Shadow Type 4 100: 3D Button Type 1 101: 3D Button Type 2 110: Reserved 111: Border
0	W	Window 4 Enable 0: Disable 1: Enable

Window 5 Shadow/Border/Gradient**Address: 114h**

Byte 0

Bit	Mode	Function
7:6	W	Reserved
5:3	W	Window 5 shadow/border width or 3D button thickness in pixel unit 000~111: 1 ~ 8 pixel
2:0	W	Window 5 shadow/border height in line unit 000~111: 1 ~ 8 line It must be the same as bit[5:3] for 3D button thickness

Byte 1

Bit	Mode	Function
7:4	W	Window 5 shadow color index in 16-color LUT For 3D window, it is the left-top/bottom border color
3:0	W	Window 5 border color index in 16-color LUT For 3D window, it is the right-bottom/top border color

Byte 2

Bit	Mode	Function
7	W	R Gradient Polarity 0: Decrease 1: Increase
6	W	G Gradient Polarity 0: Decrease 1: Increase
5	W	B Gradient Polarity 0: Decrease 1: Increase
4:3	W	Gradient level 00: 1 step per level 01: Repeat 2 step per level 10: Repeat 3 step per level 11: Repeat 4 step per level
2	W	Enable Red Color Gradient
1	W	Enable Green Color Gradient
0	W	Enable Blue Color Gradient

Window 5 start position

Address: 115h

Byte 0

Bit	Mode	Function
7:2	W	Window 5 horizontal start [5:0]
1	W	Window 5 horizontal start [11] pixel
0	W	Window 5 vertical start [11] line

Byte 1

Bit	Mode	Function
7:5	W	Window 5 vertical start [2:0] line
4:0	W	Window 5 horizontal start [10:6] pixel

Byte 2

Bit	Mode	Function
7:0	W	Window 5 vertical start [10:3] line

Window 5 end position**Address: 116h**

Byte 0

Bit	Mode	Function
7:2	W	Window 5 horizontal end [5:0]
1	W	Window 5 horizontal end [11] pixel
0	W	Window 5 vertical end [11] line

Byte 1

Bit	Mode	Function
7:5	W	Window 5 vertical end [2:0] line
4:0	W	Window 5 horizontal end [10:6] pixel

Byte 2

Bit	Mode	Function
7:0	W	Window 5 vertical end [10:3] line

Window 5 control**Address: 117h**

Byte 0

Bit	Mode	Function
7:0	--	Reserved

Byte 1

Bit	Mode	Function
7	--	Reserved
6:4	W	111: 7 level per gradient 110: 6 level per gradient 101: 5 level per gradient 100: 4 level per gradient 011: 3 level per gradient 010: 2 level per gradient 001: 1 level per gradient 000: 8 level per gradient
3:0	W	Window 5 color index in 16-color LUT

Byte 2

default: 00h

Bit	Mode	Function
7	W	Reserved
6	W	Gradient function 0: Disable

		1: Enable
5	W	Gradient direction 0: Horizontal 1: Vertical
4	W	Shadow/Border/3D button 0: Disable 1: Enable
3:1	W	Window 5 Type 000: Shadow Type 1 001: Shadow Type 2 010: Shadow Type3 011: Shadow Type 4 100: 3D Button Type 1 101: 3D Button Type 2 110: Reserved 111: Border
0	W	Window 5 Enable 0: Disable 1: Enable

Window 6 Shadow/Border/Gradient

Address: 118h

Byte 0

Bit	Mode	Function
7:6	W	Reserved
5:3	W	Window 6 shadow/border width or 3D button thickness in pixel unit 000~111: 1 ~ 8 pixel
2:0	W	Window 6 shadow/border height in line unit 000~111: 1 ~ 8 line It must be the same as bit[5:3] for 3D button thickness

PS: This is for non-rotary, rotate 270, rotate 90 and 180.

Byte 1

Bit	Mode	Function
7:4	W	Window 6 shadow color index in 16-color LUT For 3D window, it is the left-top/ bottom border color
3:0	W	Window 6 border color index in 16-color LUT For 3D window, it is the right-bottom/top border color

Byte 2

Bit	Mode	Function
-----	------	----------

7	W	R Gradient Polarity 0: Decrease 1: Increase
6	W	G Gradient Polarity 0: Decrease 1: Increase
5	W	B Gradient Polarity 0: Decrease 1: Increase
4:3	W	Gradient level 00: 1 step per level 01: Repeat 2 step per level 10: Repeat 3 step per level 11: Repeat 4 step per level
2	W	Enable Red Color Gradient
1	W	Enable Green Color Gradient
0	W	Enable Blue Color Gradient

Window 6 start position

Address: 119h

Byte 0

Bit	Mode	Function
7:2	W	Window 6 horizontal start [5:0]
1	W	Window 6 horizontal start [11] pixel
0	W	Window 6 vertical start [11] line

Byte 1

Bit	Mode	Function
7:5	W	Window 6 vertical start [2:0] line
4:0	W	Window 6 horizontal start [10:6] pixel

Byte 2

Bit	Mode	Function
7:0	W	Window 6 vertical start [10:3] line

Window 6 end position

Address: 11Ah

Byte 0

Bit	Mode	Function
7:2	W	Window 6 horizontal end [5:0]
1	W	Window 6 horizontal end [11] pixel

0	W	Window 6 vertical end [11] line
---	---	---------------------------------

Byte 1

Bit	Mode	Function
7:5	W	Window 6 vertical end [2:0] line
4:0	W	Window 6 horizontal end [10:6] pixel

Byte 2

Bit	Mode	Function
7:0	W	Window 6 vertical end [10:3] line

Window 6 control

Address: 11Bh

Byte 0

Bit	Mode	Function
7:0	--	Reserved

Byte 1

Bit	Mode	Function
7	--	Reserved
6:4	W	111: 7 level per gradient 110: 6 level per gradient 101: 5 level per gradient 100: 4 level per gradient 011: 3 level per gradient 010: 2 level per gradient 001: 1 level per gradient 000: 8 level per gradient
3:0	W	Window 6 color index in 16-color LUT

Byte 2

default: 00h

Bit	Mode	Function
7	W	Reserved
6	W	Gradient function 0: Disable 1: Enable
5	W	Gradient direction 0: Horizontal 1: Vertical
4	W	Shadow/Border/3D button 0: Disable 1: Enable
3:1	W	Window 6 Type

		000: Shadow Type 1 001: Shadow Type 2 010: Shadow Type3 011: Shadow Type 4 100: 3D Button Type 1 101: 3D Button Type 2 110: Reserved 111: Border
0	W	Window 6 Enable 0: Disable 1: Enable

Window 7 Shadow/Border/Gradient

Address: 11Ch

Byte 0

Bit	Mode	Function
7:6	W	Reserved
5:3	W	Window 7 shadow/border width or 3D button thickness in pixel unit 000~111: 1 ~ 8 pixel
2:0	W	Window 7 shadow/border height in line unit 000~111: 1 ~ 8 line It must be the same as bit[5:3] for 3D button thickness

PS: This is for non-rotary, rotate 270, rotate 90 and 180.

Byte 1

Bit	Mode	Function
7:4	W	Window 7 shadow color index in 16-color LUT For 3D window, it is the left-top/bottom border color
3:0	W	Window 7 border color index in 16-color LUT For 3D window, it is the right-bottom/top border color

Byte 2

Bit	Mode	Function
7	W	R Gradient Polarity 0: Decrease 1: Increase
6	W	G Gradient Polarity 0: Decrease 1: Increase
5	W	B Gradient Polarity 0: Decrease

		1: Increase
4:3	W	Gradient level 00: 1 step per level 01: Repeat 2 step per level 10: Repeat 3 step per level 11: Repeat 4 step per level
2	W	Enable Red Color Gradient
1	W	Enable Green Color Gradient
0	W	Enable Blue Color Gradient

Window 7 start position

Address: 11Dh

Byte 0

Bit	Mode	Function
7:2	W	Window 7 horizontal start [5:0]
1	W	Window 7 horizontal start [11] pixel
0	W	Window 7 vertical start [11] line

Byte 1

Bit	Mode	Function
7:5	W	Window 7 vertical start [2:0] line
4:0	W	Window 7 horizontal start [10:6] pixel

Byte 2

Bit	Mode	Function
7:0	W	Window 7 vertical start [10:3] line

Window 7 end position

Address: 11Eh

Byte 0

Bit	Mode	Function
7:2	W	Window 7 horizontal end [5:0]
1	W	Window 7 horizontal end [11] pixel
0	W	Window 7 vertical end [11] line

Byte 1

Bit	Mode	Function
7:5	W	Window 7 vertical end [2:0] line
4:0	W	Window 7 horizontal end [10:6] pixel

Byte 2

Bit	Mode	Function
7:0	W	Window 7 vertical end [10:3] line



Window 7 control

Address: 11Fh

Byte 0

Bit	Mode	Function
7:0	--	Reserved

Byte 1

Bit	Mode	Function
7	--	Reserved
6:4	W	111: 7 level per gradient 110: 6 level per gradient 101: 5 level per gradient 100: 4 level per gradient 011: 3 level per gradient 010: 2 level per gradient 001: 1 level per gradient 000: 8 level per gradient
3:0	W	Window 7 color index in 16-color LUT

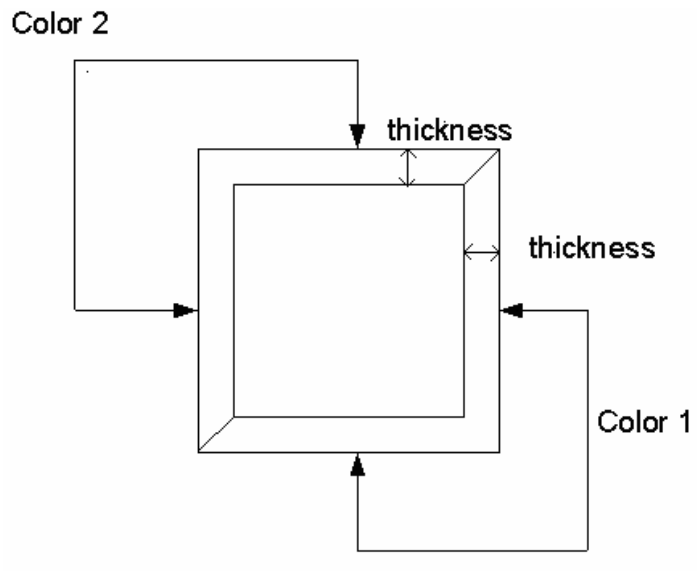
Byte 2

default: 00h

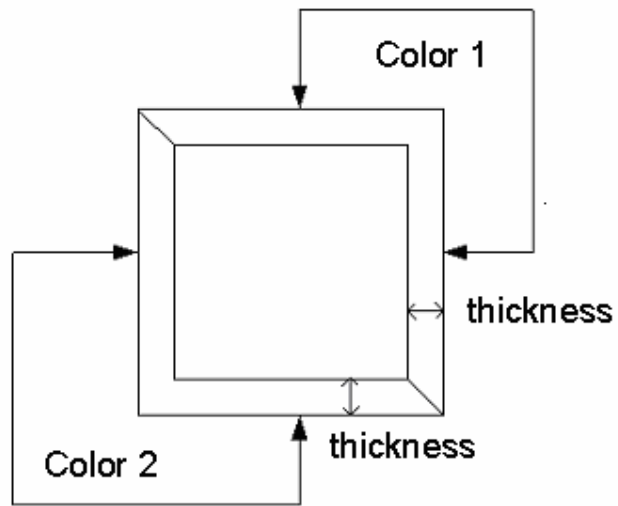
Bit	Mode	Function
7	W	Reserved
6	W	Gradient function 0: Disable 1: Enable
5	W	Gradient direction 0: Horizontal 1: Vertical
4	W	Shadow/Border/3D button 0: Disable 1: Enable
3:1	W	Window 7 Type 000: Shadow Type 1 001: Shadow Type 2 010: Shadow Type3 011: Shadow Type 4 100: 3D Button Type 1 101: 3D Button Type 2 110: Reserved 111: Border

0	W	Window 7 Enable 0: Disable 1: Enable
---	---	--



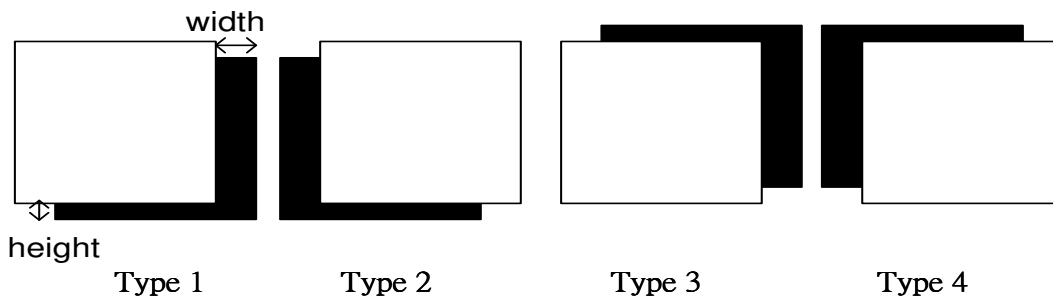


3D Button Type 1

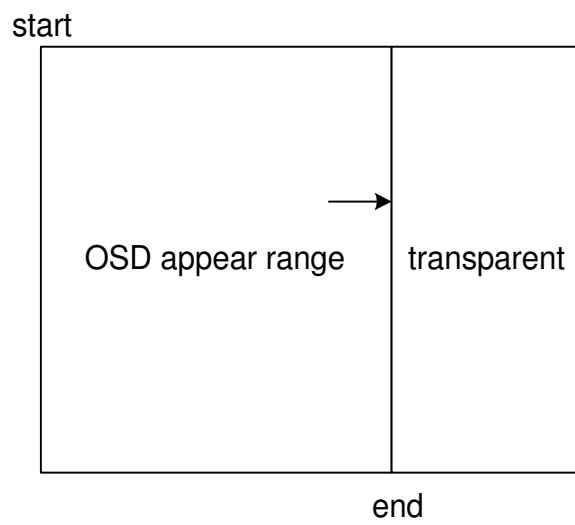


3D Button Type 2





Shadow in all direction



Window mask fade/in out function



Frame control registers

Address: 000h

Byte 0

Bit	Mode	Function
7:0	R/W	Vertical Delay [10:3] The bits define the vertical starting address. Total 2048 step unit: 1 line

Vertical delay minimum should set 1

Byte 1

Bit	Mode	Function
7:0	R/W	Horizontal Delay [9:2] The bits define the horizontal starting address. Total 1024 step unit:4 pixels

Horizontal delay minimum should set 2

Byte 2

default: xxxx_xxx0b

Bit	Mode	Function
7:6	R/W	Horizontal Delay bit [1:0]
5:3	R/W	Vertical Delay [2:0]
2:1	R/W	Display zone, for smaller character width 00: middle 01: left 10: right 11: reserved
0	R/W	OSD enable 0: OSD circuit is inactivated 1: OSD circuit is activated

- When OSD is disabled, Double Width (address 0x003 Byte1[1]) must be disabled to save power.
- These three bytes have their own double-buffer.



Address 001h ~ Address002h are reserved

Address: 003h

Byte 0

Default: 00h

Bit	Mode	Function
7	R/W	Specific color blending (blending type 2) 0: Disable 1: Enable
6:5	R/W	Window 7special function 00: disable 01: blending (blending type 3) 10: window 7 mask region appear 11: window 7 mask region transparent
4	R/W	OSD vertical start input signal source select 0: Select DVS as OSD VSYNC input 1: Select ENA as OSD VSYNC input
3:0	R/W	Blending color from 16-color LUT (blending type 2)

Byte 1

Default: 00h

Bit	Mode	Function
7:4	R/W	Char shadow/border color
3: 2	R/W	Alpha blending type (blending type 1) 00: Disable alpha blending 01: Only window blending 10: All blending 11: Window and Character background blending
1	R/W	Double width enable (For all OSD including windows and characters) 0: Normal 1: Double
0	R/W	Double Height enable (For all OSD including windows and characters) 0: Normal 1: Double

Total blending area = blending type1 area + blending type 2 area + blending type 3 area

Byte 2

Default: 00h

Bit	Mode	Function
7:6	R/W	Font downloaded swap control 0x: No swap 10: CCW 11: CW

5	R	Buffer Empty 0: Empty 1: Not Empty
4	R	Buffer Valid 0: Done 1: Buffer is writing to SDRAM
3	R/W	Reset Buffer Write 1 to reset and auto-clear after finished.
2	R/W	Hardware Rotation Enable 0: Disable 1: Enable (Default) OSD compression function must be enabled simultaneously.
1	R/W	Global Blinking Enable 0: Disable 1: Enable
0	R/W	Rotation 0: Normal (data latch 24 bit per 24 bit) 1: Rotation (data latch 18 bit per 24 bit)

Bit	7	6	5	4	3	2	1	0
Firmware	A	B	C	D	E	F	G	H
CW	A	E	B	F	C	G	D	H
CCW	E	A	F	B	G	C	H	D

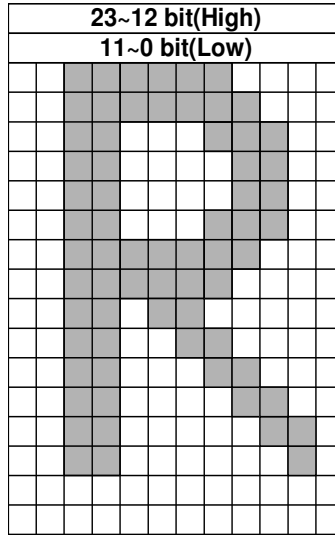


Figure 3 Non-rotated memory alignments

23

6

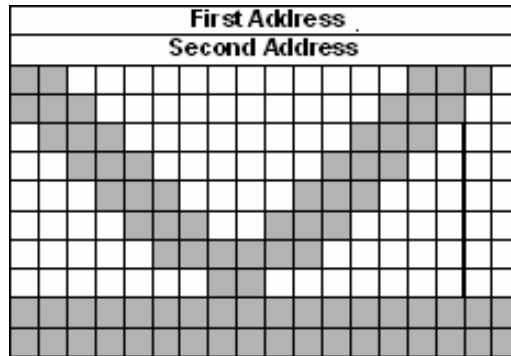


Figure 4 Rotated memory alignments

Base address offset

Address: 004h

Byte 0

Bit	Mode	Function
7:0	R/W	Font Select Base Address[7:0]

Byte 1

Bit	Mode	Function
7:4	R/W	Font Select Base Address[11:8]
3:0	R/W	Font Base Address[3:0]

Byte 2

Bit	Mode	Function
7:0	R/W	Font Base Address[11:4]

When OSD Special Function for POP-ON is enabled (OSD[008]), Font Select Base Address here will not be effective.

OSD Compression

Address: 005h

Byte 0

Bit	Mode	Function
7:4	R/W	4-bit value for VLC code 0
3:0	R/W	4-bit value for VLC code 100

Byte 1

Bit	Mode	Function
7:4	R/W	4-bit value for VLC code 1010
3:0	R/W	4-bit value for VLC code 1011

Byte 2

Bit	Mode	Function
7:4	R/W	4-bit value for VLC code 1100
3:0	R/W	4-bit value for VLC code 1101 0

Address: 006h

Byte 0

Bit	Mode	Function
7:4	R/W	4-bit value for VLC code 1101 1
3:0	R/W	4-bit value for VLC code 1110 0

Byte 1

Bit	Mode	Function
7:4	R/W	4-bit value for VLC code 1110 10
3:0	R/W	4-bit value for VLC code 1110 11

Byte 2

Bit	Mode	Function
7:4	R/W	4-bit value for VLC code 1111 00
3:0	R/W	4-bit value for VLC code 1111 01

Address: 007h

Byte 0

Bit	Mode	Function
7:4	R/W	4-bit value for VLC code 1111 100
3:0	R/W	4-bit value for VLC code 1111 101

Byte 1

Bit	Mode	Function
7:4	R/W	4-bit value for VLC code 1111 110
3:0	R/W	4-bit value for VLC code 1111 1110

Byte 2

default: xxxx_xxx0b

Bit	Mode	Function
7:1	--	reserved
0	R/W	OSD compression (4bit/symbol, VLC code 1111_1111 represents the end of data) (only for SRAM) 0: disable 1: enable

Note:

1. If enable OSD compression or auto load (double buffer), only one byte can be read after writing address at 0x90, 0x91.
2. For OSD compression, MSB 4 bits of original byte is first transferred to corresponding VLC code, and then LSB 4 bits is transferred. VLC code is placed from LSB to MSB of compression font. For example, 4-bit value for VLC code 1100 is 4'b0101, and 4-bit value for VLC code 100 is 4'b0001. Original data 0x15 is transferred to compression x0011001.
3. OSD double buffer and compression can't be enabled simultaneous.
4. When power-down mode or lack of crystal clock, OSD compression font can't be write.
5. After OSD enable, it is better to delay 1 DVS to start writing OSD compression data.

OSD Special Function

Address: 008h

Byte 0

Default: 0x00

Bit	Mode	Function
7	R/W	OSD Special Function Enable 0: Disable 1: Enable
6	R/W	OSD Special Function Select (Effective only when Bit[7]=1) 0: ROLL-UP 1: POP-ON
5	R/W	OSD Vertical Boundary Function Enable 0: Disable 1: Enable
4:1	R/W	Reserved to 0
0	R/W	Display Base Select (Effective only when Bit[7:6]=11`b) 0: Base 0 1: Base 1

Byte 1

Default: 0x00

Bit	Mode	Function
7:0	R/W	Row Command Base 0 [7:0]

Byte 2

Default: 0x00

Bit	Mode	Function
7:0	R/W	Row Command Base 1 [7:0]

Address: 009h

Byte 0

Default: 0x00

Bit	Mode	Function
7:4	R/W	Font Select Base 0 [11:8]
3:0	R/W	Font Select Base 1 [11:8]

Byte 1

Default: 0x00

Bit	Mode	Function
7:0	R/W	Font Select Base 0 [7:0]

Byte 2

Default: 0x00

Bit	Mode	Function
7:0	R/W	Font Select Base 1 [7:0] (Not effective when ROLL-UP)

Address: 00Ah

Byte 0

Default: 0x00

Bit	Mode	Function
7	R/W	Reserved
6:4	R/W	OSD Vertical Upper Boundary [10:8]
3	R/W	Reserved
2:0	R/W	OSD Vertical Lower Boundary [10:8]

Byte 1

Default: 0x00

Bit	Mode	Function
7:0	R/W	OSD Vertical Upper Boundary [7:0]

Byte 2

Default: 0x00

Bit	Mode	Function
7:0	R/W	OSD Vertical Lower Boundary [7:0]

Address: 00Bh

Byte 0

Default: 0x00

Bit	Mode	Function
7	R/W	Font Base Address[12]
6	R/W	Window 6 Special Blending Function 0: OFF 1: ON
5:4	R/W	Blending Type of Window 7 00: NO Blending for both F/B 01: Only Blending for Foreground 10: Only Blending for Background 11: Both Blending for F/B

3:2	R/W	Blending Type of Window 6 00: NO Blending for both F/B 01: Only Blending for Foreground 10: Only Blending for Background 11: Both Blending for F/B
2:0	--	Reserved

Byte 1 Default: 0x00

Bit	Mode	Function
7:0	--	Reserved

Byte 2 Default: 0x00

Bit	Mode	Function
7:0	--	Reserved

Note:

1. When OSD Special Function for POP-ON is enabled, Font Select Base Address in OSD[004] will not be effective anymore.
2. When OSD Vertical Boundary Function is enabled, OSD image above upper boundary and below lower boundary will be invisible.
3. When ROLL-UP function is enabled, OSD will always start from the row-command pointed by Base0, and after the row-command pointed by Base1 has been dealt with, the next row-command will be the first one in OSD SRAM. Row-command processing will terminate in the row-command before the one pointed by Base0. (For example, R1 is pointed by Base0, and R5 is pointed by Base1. OSD will show R1 as the first row, followed by R2, R3, R4, R5, and R0 as last row.)
4. When POP-ON function is enabled, OSD will start from the row command pointed by the base selected as display base(selected by OSD[008][0.0]), and terminate when end-command is encountered. That is, all row-command will be separated into two non-overlay subset which is enclosed by the row-command pointed by base and end-command.

OSD SRAM (Map and font registers)

R0	R1	R2	Rn	End			
C01	C02	B03	C04	...	C11	C12	C13	...
...								
...								
...		Cn1	Cn2	...	1-bit font start	...		
...								
...		2-bit font start		...				



...	
4-bit font start	...
...	
...	

16.5k bytes SRAM

1. Row Command

R0	R1	R2	R3	R....	Rn	End
----	----	----	----	-------	----	-----

Row Command R0~Rn represent the start of new row. Each command contains 3 bytes data which define the length of a row and other attributes. OSD End Command represent the end of OSD. R0 is set in address 0 of SRAM.

2. Character/Blank Command (Font Select)

Character Command is used to select which character font is show. Each command contains three bytes which specify its attribute and 1,2 or 4bit per pixel. Blank Command represents blank pixel to separate the preceding character and following character. Use two or more Blank Command if the character distance exceeds 255 pixel.

The Font Select Base Address in Frame Control Register represents the address of the first character in Row 0, that is, C01 in the above figure. The following character/blank is write in the next address. C11 represents the first character in Row1, C12 represents the second character in Row1, and so on.

The address of the first character Cn1 in Row n = Font Select Base Address + Row 0 font base length + Row 1 font base length + ...+Row n-1 font base length.



3. Font

User fonts are stored as bit map data. For normal font, one font has 12x18 pixel, and for rotation font, one has 18x12 pixel. One pixel use 1, 2 or 4 bits.

For 12x18 font,

One 1-bit font requires $9 * 24$ bit SRAM

One 2-bit font requires $18 * 24$ bit SRAM

One 4-bit font requires $36 * 24$ bit SRAM

For 18x12 font,

One 1-bit font requires $12 * 24$ bit SRAM

One 2-bit font requires $24 * 24$ bit SRAM

One 4-bit font requires $48 * 24$ bit SRAM

Font Base Address in Frame Control Register point to the start of 1-bit font.

For normal (12x18) font:

1-bit Font, if CS = 128, Real Address of Font = Font Base Address + $9 * 128$

2-bit Font, if CS = 128, Real Address of Font = Font Base Address + $18 * 128$

4-bit Font, if CS = 128, Real Address of Font = Font Base Address + $36 * 128$

For rotational (18x12) font:

1-bit Font, if CS = 128, Real Address of Font = Font Base Address + $12 * 128$

2-bit Font, if CS = 128, Real Address of Font = Font Base Address + $24 * 128$

4-bit Font, if CS = 128, Real Address of Font = Font Base Address + $48 * 128$

where CS is Character Selector in Character Command.

Note that Row Command, Font Select and Font share the same OSD SRAM.

When we download the font, we have to set the Frame control 002h byte1 [1:0] to set the method of hardware bit swap. If the OSD is Counter-Clock-Wise rotated, we have to set to 0x01 (the 8 bits of every byte of font SRAM downloaded by firmware will be in a sequence of "7 5 3 1 6 4 2 0" (from MSB to LSB) and should be rearranged to "7 6 5 4 3 2 1 0" by hardware). If it is Clock-Wise rotated, we have to set to 0x10 (the 8 bits of every byte of font SRAM downloaded by firmware will be in a sequence of "6 4 2 0 7 5 3 1" (from MSB to LSB) and should be rearranged to "7 6 5 4 3 2 1 0" by hardware). After we finish the downloading or if we don't have to rotate the OSD, we have to set it to 0x00.

Row Command

Byte 0

Bit	Mode	Function
7	W	1: Row Start Command 0: OSD End Command Each row must start with row-command, last word of OSD map must be end-command
6	R/W	VBI OSD function enable 0: normal OSD function as usual 1: support VBI OSD functions like underline, B/F separated blink and 512 fonts select
5	W	Reserved
4:2	W	Character border/shadow 000: None 001: Border 100: Shadow (left-top) 101: Shadow (left-bottom) 110: Shadow (right-top) 111: Shadow (right-bottom)
1	W	Double character width 0: x1 1: x2
0	W	Double character height 0: x1 1: x2

Byte 1

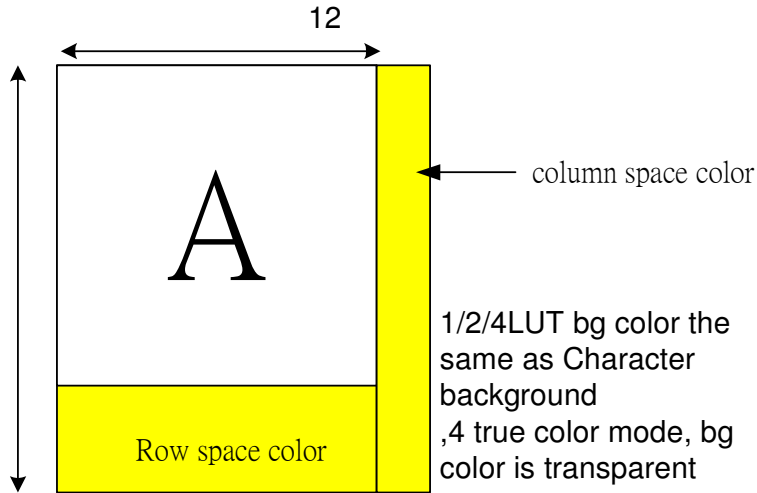
Bit	Mode	Function
7:3	W	Row height (1~32)
2:0	W	Column space 0~7 pixel column space When Char is doubled, so is column space.

Notice:

When character height/width is doubled, the row height/column space definition also twice. If the row height is larger than character height, the effect is just like space between rows. If it is smaller than character height, it will drop last several bottom line of character.

When using 1/2/4LUT font, column space and font smaller than row height, the color of column space and row space is the same as font background color, only 4 bit true color font mode, the

color is transparent



Byte 2

Bit	Mode	Function
7:0	W	Row length unit: font base

Character Command (For blank)

Byte 0

Bit	Mode	Function
7	W	0
6	W	Blinking effect 0: Disable 1: Enable
5:0	W	Reserved

Byte 1

Bit	Mode	Function
7:0	W	Blank pixel length

At least 3 pixels, and can't exceed 255 pixels.

Byte 2

Bit	Mode	Function
7:5	W	Reserved
4	W	Reserved
3:0	W	Blank color – select one of 16-color LUT



	(0 is special for transparent)
--	--------------------------------

Character Command (For 1-bit RAM font)

Byte 0

Bit	Mode	Function
7	W	1
6	W	Character Blinking effect 0: Disable 1: Enable
5:4	W	00 (Font type 00: 1-bit RAM Font 01: 4-bit RAM Font 1x: 2-bit RAM Font)
3:0	W	VBI OSD disable: Character width (only for 1-pixel font, doubled when specifying double-width in Row/Blank command register) For 12x18 font: 0100: 4-pixel 0101: 5-pixel 0110: 6-pixel 0111: 7-pixel 1000: 8-pixel 1001: 9-pixel 1010: 10-pixel 1011:11-pixel 1100: 12-pixel For 18x12 Font (rotated) 0000: 4-pixel 0001: 5-pixel 0010: 6-pixel 0011: 7-pixel 0100: 8-pixel 0101: 9-pixel 0110: 10-pixel 0111: 11-pixel 1000: 12-pixel 1001:13-pixel 1010:14-pixel 1011:15-pixel 1100: 16-pixel 1101:17-pixel 1110:18-pixel VBI OSD enable: While VBI OSD enable, 1 bit font will be NO rotated and 12-pixel fonts always. Then the [3:0] setting will be as following: [3]: character select[8] support 512 font while VBI OSD enable [2]: additional blinking effect {[6], [2]} 00: NO blink for both F/B 01: Only blink for Foreground 10: Only blink for Background 11: Both blink for F/B [1]: Underline enable

		underline will be at 17th & 18th line and got the same color with foreground [0]: Reserved
--	--	---

When using border/shadow/ effect, the width of the 1-bit font should at least 6 pixel.

Byte 1

Bit	Mode	Function
7:0	W	Character Select [7:0]

Byte 2

Bit	Mode	Function
7:4	W	Foreground color Select one of 16-color from color LUT
3:0	W	Background color Select one of 16-color from color LUT (0 is special for transparent)

Character command (For 2-bit RAM Font)

Byte 0

Bit	Mode	Function
7	W	1
6	W	MSB of Foreground color 11, Background 00
5	W	1
4	W	MSB of Foreground color 10, Foreground 01
3:1	W	Foreground color 11 Select one of 8 color from color LUT Add Byte0 [6] as MSB for 16-color LUT.
0	W	Background color 00 Bit[2] Select one of 8 color from color LUT

Byte 1

Bit	Mode	Function
7:0	W	Character Select [7:0]

Byte 2

Bit	Mode	Function
7:6	W	Background color 00 Bit[1:0] Select one of 8 color from color LUT While 0 is special for transparent Add Byte0 [6] as MSB for 16-color LUT. Once we fill 0000 or 1000(MSB follow Byte0[6]), BG appears transparent.
5:3	W	Foreground color 10

		Select one of 8 color from color LUT Add Byte0 [4] as MSB for 16-color LUT.
2:0	W	Foreground color 01 Select one of 8 color from color LUT Add Byte0 [4] as MSB for 16-color LUT.

Character command (For 4-bit RAM font)

Byte 0

Bit	Mode	Function
7	W	1
6	W	Character Blinking effect 0: Disable 1: Enable
5:4	W	01 (Font type 00: 1-bit RAM Font 01: 4-bit RAM Font 1x: 2-bit RAM Font)
3:0	W	(for Byte1[7] = 0) select one color from 16-color LUT as background (for Byte1[7] = 1) Red color level MSB 4 bits for 8 bits color level (LSB 4 bits are 1111)

Byte 1

Bit	Mode	Function
7	W	0: 4bit Look Up Table, 0000'b is transparent. 1: 3bit specify R,G,B pattern, color level defined in Byte0[3:0],Byte2. One mask bit defines foreground or background.
6:0	W	Character Select [6:0]

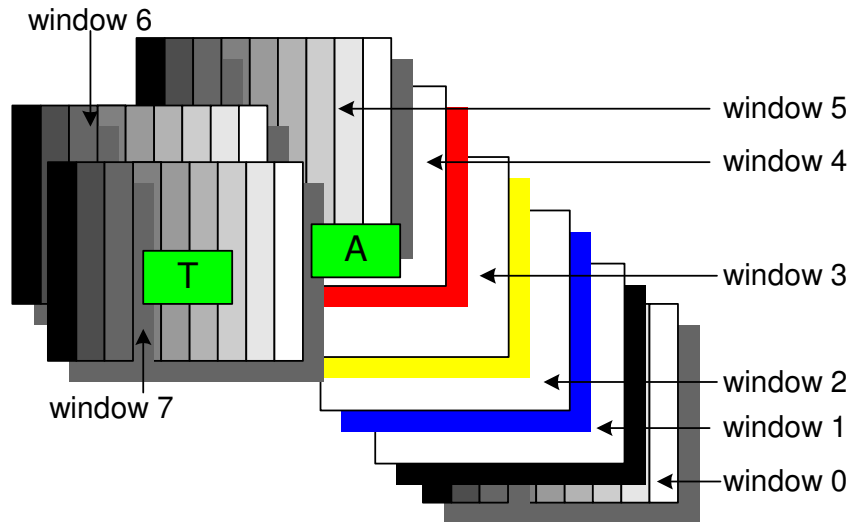
- When 4-bit look-up table mode , color of column space is the same as background.
- When 4-bit look-up table mode and pixel value is 0000, and byte0[3:0]=0000 means transparent.
- When true color mode and pixel value is 0000 , it is transparent .

Byte 2

Bit	Mode	Function
7:4	W	(for Byte1[7] = 1) Green color level MSB 4 bits for 8 bits color level (LSB 4 bits are 1111)

3:0	W	(for Byte1[7] = 1) Blue color level MSB 4 bits for 8 bits color level (LSB 4 bits are 1111)
-----	---	---





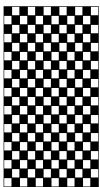
Display Priority

We have four windows with gradient and four windows without gradient, the window priority is as above, character should be always on the top layer of the window.

Pattern gen.

Use OSD to replace display pattern generator.

Chess Board: make a font as below



If we want to fill to the full 1280x1024 screen with character, we need 1280*1024 pixels.

Required character is:

Using 12*18 font

$$1280/12 = 106.7 \rightarrow 107$$

$$1024/18 = 56.9 \rightarrow 57$$

$$107*57 = 6099 \text{ character}$$

The required number of character map is larger than RAM size. We must turn on double width

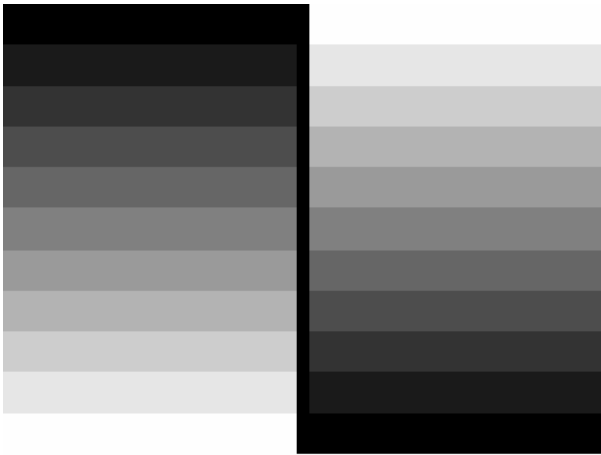


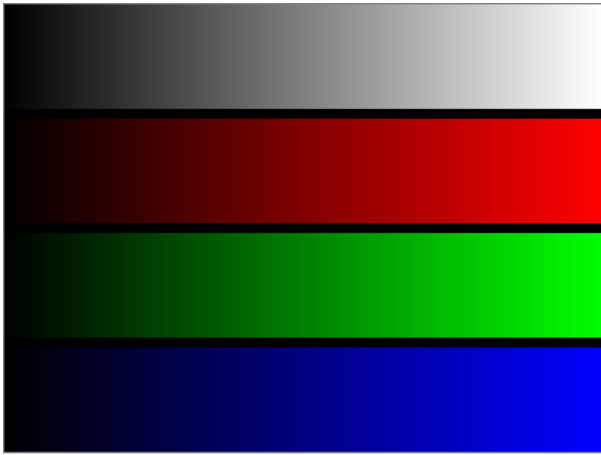
or double height function to reduce the half of character map.

So the basic unit to chessboard is 2x2 pixel. You can use larger chessboard instead of 2x2 pixels unit, such as 4x4 and so on.

Gray level

We can display 256 gray level by gradient window, 8 and 16 gray level by character map. 32 and 64 gray level is not supported.





4. Electric Specification

DC Characteristics

Table 3 Absolute Maximum Ratings

PARAMETER	SYMBOL	MIN	TYP	MAX	UNITS
Voltage on Input (5V tolerant)	V_{IN}	-1		5	V
Supply Voltage	PVCC	3.0	3.3	3.6	V
Supply Voltage	VCCK	1.08	1.2	1.32	V
Electrostatic Discharge	V_{ESD}			±2.5	kV
Latch-Up	I_{LA}			±100	mA
Ambient Operating Temperature	T_A	0		70	°C
Storage temperature (plastic)	T_{STG}	-55		125	°C
Thermal Resistance (Junction to Air)	θ_{JA}			47.4 *	°C/W
Junction Acceptable Temperature	T_j			125	°C

*

Under 2-layer PCB

Dimension 50 x 70 mm,

Thickness: 1.6mm

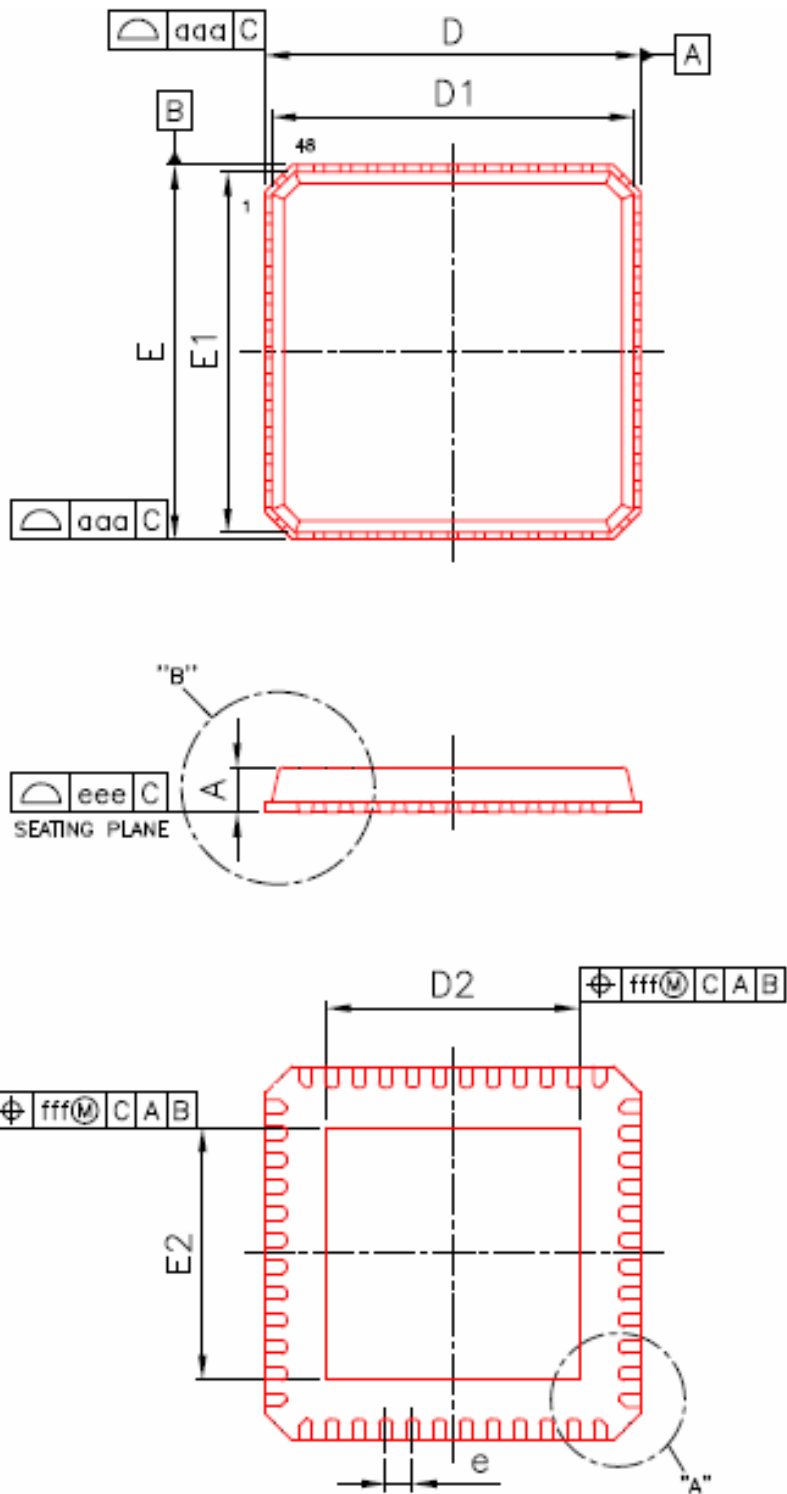
Top layer: 65% coverage of Cu, 0.5oz thickness

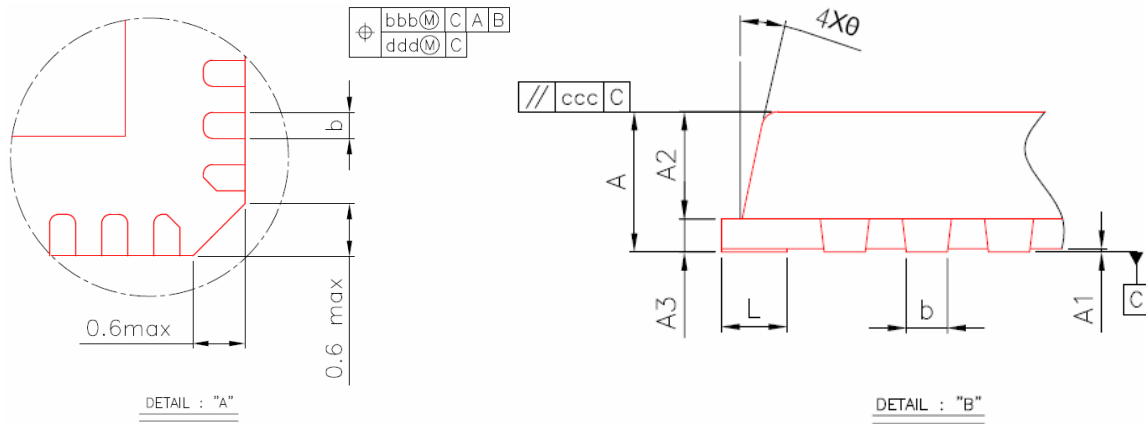
Bottom layer: 95% coverage of Cu, 0.5oz thickness

Via Underneath Package: 12 (Diameter: 12 mil)

5. Mechanical Specification

Plastic Quad Flat No-Lead Package 48 Leads 7x7mm² Outline





Symbol	Dimension in mm			Dimension in inch		
	Min	Nom	Max	Min	Nom	Max
A	0.75	0.85	1.00	0.030	0.034	0.039
A ₁	0.00	0.02	0.05	0.000	0.001	0.002
A ₂	0.55	0.65	0.80	0.022	0.026	0.032
A ₃	0.20 REF			0.008 REF		
b	0.18	0.25	0.30	0.007	0.010	0.012
D/E	7.00BSC			0.276BSC		
D ₁ /E ₁	6.75BSC			0.266BSC		
D ₂ /E ₂	4.80	5.05	5.30	0.189	0.199	0.209
e	0.50BSC			0.020BSC		
L	0.30	0.40	0.50	0.012	0.016	0.020
θ	0°	—	14°	0°	—	14°
aaa	—	—	0.15	—	—	0.006
bbb	—	—	0.10	—	—	0.004
ccc	—	—	0.10	—	—	0.004
ddd	—	—	0.05	—	—	0.002
eee	—	—	0.08	—	—	0.003
fff	—	—	0.10	—	—	0.004

Notes :

1. DIMENSIONS D1 AND E1 DO NOT INCLUDE MOLD PROTRUSION.
2. CONTROLLING DIMENSION : MILLIMETER(mm).
3. REFERENCE DOCUMENTL : JEDEC MO-220.

6. Ordering Information

Part	ADC	DVI	OD	Resolution	Output	PKG
RTD2525LRH	210M	Y	Y	1440x900	LVDS	QFN48
RTD2545LRH	210M	Y	Y	1680x1050	LVDS	QFN48
RTD2555LRH	210M	Y	Y	1920x1050	LVDS	QFN48
