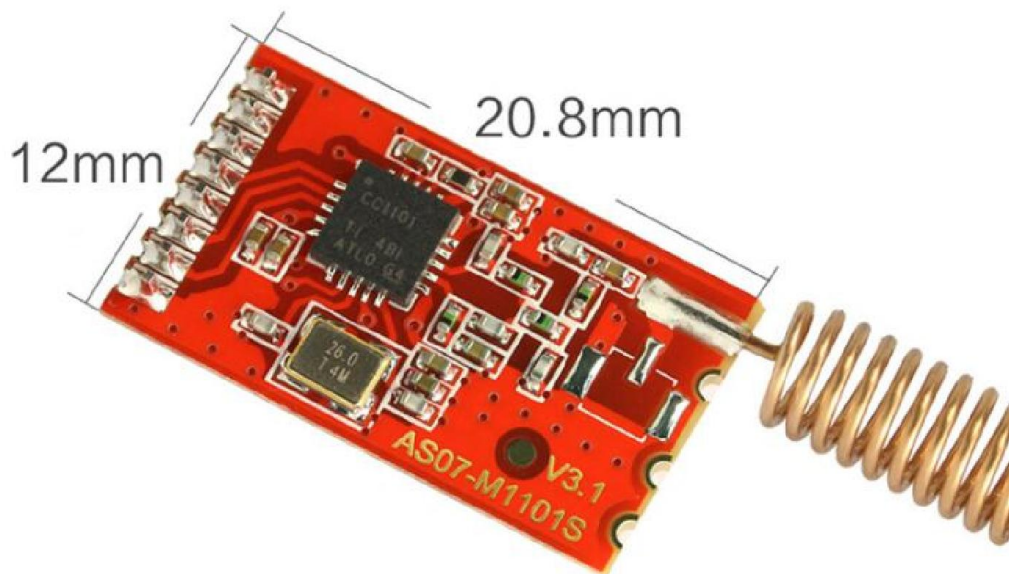


AS07-M1101S



Product Description

433MHz CC1101 AS07-M1101S wireless RF TRANSCEIVER
MODULE SI4432 RF serial communication transmission

Graphite crucible mini furnace gold torch metal melting:

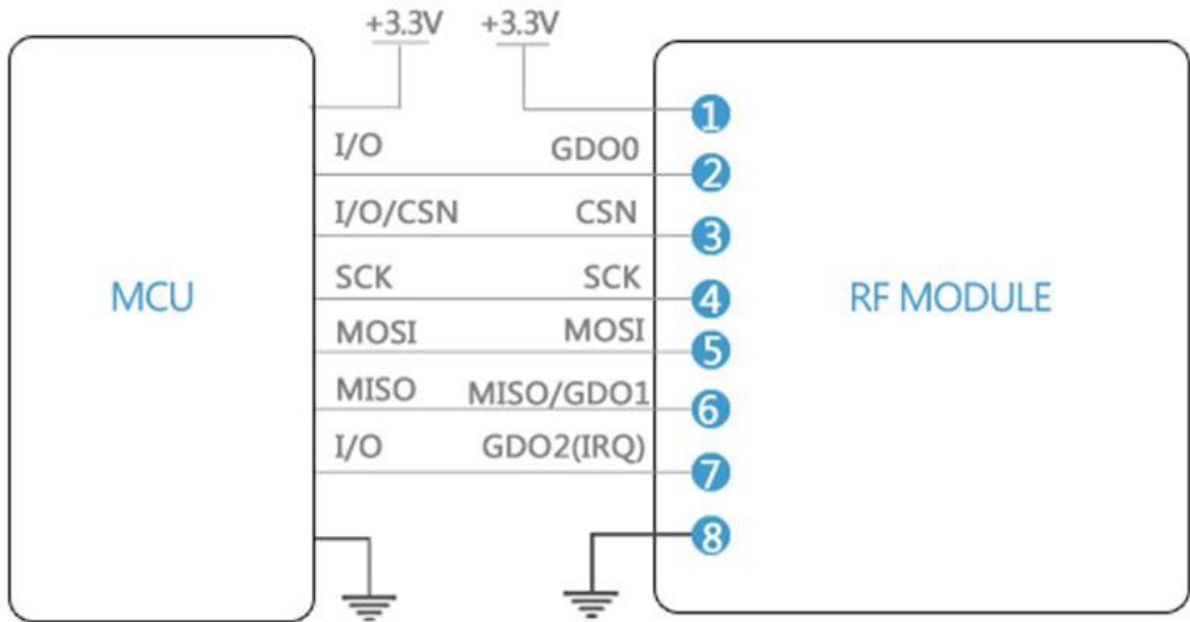
Wireless module 433 MHz CC1101 X 1 Units

Product Parameter:

- Model: AS07-M1101S
- Chip: CC1101
- Maximum power: 10 mW
- Air speed: 1.2K-500K
- Package Type: 1 * 8 * 1.27 SIP patch / plug

- Emission Current: 29mA
- Communication interface: SPI
- Central frequency band: 433 M
- Voltage: 1.8-3.6V
- Antenna: spring / IPEX / external
- Size: 12 * 20.8mm
- Reference distance: 1000 M

SCHEMATICS



NO.	Pin name	Pin direction	Pin usage
1	VDD		Power supply, range 1.8-3.6V, the proposed external increase of ceramic filter capacitor
2	GDO0	I/O	Module information output pin
3	CSN	input	Chip select pin module, used to start a SPI communication
4	SCK	input	Module SPI bus clock
5	MOSI	input	Module SPI data input pin
6	MISO/GDO1	input	Module SPI data output pin
7	GDO2	output	The module information output pin can be configured to be equivalent to the IRQ function
8	GND	output	Wire connected to the power supply reference