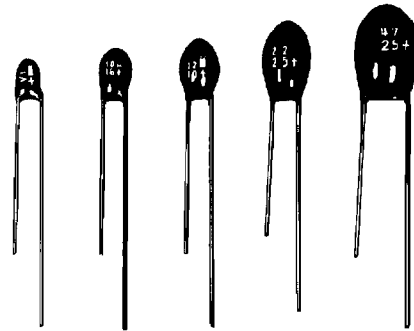


EF Series Resin Dipped Tantalum

FEATURES

- Endurance : 1 000h at + 85°C with Voltage rating / at + 105°C with voltage derating
- Operating Temperature : - 40 to + 105°C with voltage derating
- Taping for automatic insertion



SPECIFICATIONS

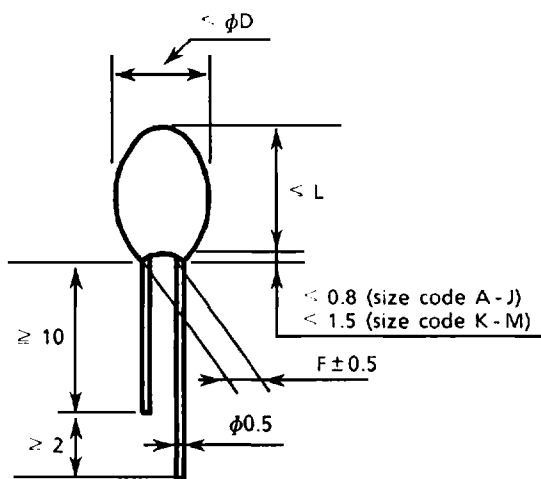
Item	Performance Characteristics							
Operating Temperature Range	Operating Temperature		Conditions					
	-55°C to +105°C		Voltage derating for ratings ≥ 10V DC					
	-55°C to +85°C		Voltage rating					
Rated Working Voltage Range	4V to 50V DC							
Nominal Capacitance Range	0.047μF to 470μF (120Hz, +20°C)							
Capacitance Tolerance	±20% or ±10% (120Hz, +20°C)							
DC Leakage Current	I = 0.008C·V or 0.05 [μA] whichever is greater measured after a 2 minute application of rated working voltage at +20°C. (C=nominal capacitance in micro-farads, V = rated working voltage in volts)							
Tangent of Loss Angle	Tan δ (120Hz, +20°C)							
	4V rating		≤ 0.1					
	≥ 6.3V rating		≤ 1μF	> 1μF - < 100μF	> 100μF			
		< 0.04	≤ 0.06	< 0.08				
Rated and Derated Voltage	Working voltage [V]	Rated	10	16	25	35	50	
		Derated	8.1	13	20.5	28.5	41	
Surge Voltage	Rated Working Voltage [V]	4	6.3	10	16	25	35	50
	Surge Voltage [V]	5	8	13	20	32	44	63
Characteristics at High and Low Temperature	-55°C	Capacitance change	≤ ±10% of initial measured value at +20°C					
	+85°C	Leakage Current	≤ 10 times of initial specified value					
		Capacitance change	≤ ±10% of initial measured value at +20°C					

SPECIFICATIONS (continued)

Item	Performance Characteristics																				
Moisture Resistance	Test Conditions																				
	Relative humidity	90% to 95%																			
	Temperature	+40°C																			
	Duration	500 h																			
	Post test requirements at +20°C																				
	Leakage current	≤ 0.012CV or 0.75 [μA] whichever is greater																			
Capacitance change	< ±10% of initial measured value																				
tan δ	< 150% of initial specified value																				
Endurance	Test conditions: either derating or rating																				
	<table border="1"> <thead> <tr> <th>Item</th> <th>Conditions</th> <th>Derating</th> <th>Rating</th> </tr> </thead> <tbody> <tr> <td>Duration</td> <td></td> <td>1 000 h +48, -0 h</td> <td>2 000 h +48, -0 h</td> </tr> <tr> <td>Ambient temperature</td> <td></td> <td>+105°C ±2°C</td> <td>+85°C ±2°C</td> </tr> <tr> <td>Applied voltage</td> <td></td> <td>Derated working voltage</td> <td>Rated working voltage</td> </tr> <tr> <td>Source impedance</td> <td></td> <td>1Ω/V</td> <td>1Ω/V</td> </tr> </tbody> </table>	Item	Conditions	Derating	Rating	Duration		1 000 h +48, -0 h	2 000 h +48, -0 h	Ambient temperature		+105°C ±2°C	+85°C ±2°C	Applied voltage		Derated working voltage	Rated working voltage	Source impedance		1Ω/V	1Ω/V
	Item	Conditions	Derating	Rating																	
	Duration		1 000 h +48, -0 h	2 000 h +48, -0 h																	
	Ambient temperature		+105°C ±2°C	+85°C ±2°C																	
	Applied voltage		Derated working voltage	Rated working voltage																	
	Source impedance		1Ω/V	1Ω/V																	
	Post test requirements at +20°C																				
	Leakage current	≤ 0.01C·V or 0.625 [μA]																			
	Capacitance change	< ±10% of initial measured value																			
tan δ	≤ Initial specified value																				

Dimensions

■ Straight Leads



Size Code	ϕD	L	F
A	3.3	5.0	2.5 ± 0.5
B	3.3	5.5	2.5 ± 0.5
C	3.5	5.5	2.5 ± 0.5
D	3.7	6.5	2.5 ± 0.5
E	4.0	7.0	2.5 + 1.0, -0.5
F	4.5	7.0	2.5 + 1.0, -0.5
G	4.7	8.0	2.5 + 1.0, -0.5
H	5.2	8.5	2.5 + 1.0, -0.5
I	5.5	9.5	2.5 + 1.0, -0.5
J	6.0	11.0	2.5 + 1.0, -0.5
K	7.5	12.5	5.0 ± 0.5
L	9.0	14.5	5.0 ± 0.5
M	10.0	15.5	5.0 ± 0.5

STANDARD PRODUCTS TABLE

Rated DC Working Voltage [V]	Nominal Capacitance (120Hz, +20°C) [μ F]	Part Number	Size Code	Leakage Current : \leq (+20°C) [μ F]
4	6.8	ECSF0GE685K	C	0.3
	10	ECSF0GE106K	C	0.4
	15	ECSF0GE156K	D	0.5
	22	ECSF0GE226K	E	0.8
	33	ECSF0GE336K	F	1.1
	47	ECSF0GE476K	G	1.6
	68	ECSF0GE686	H	2.2
	100	ECSF0GE107	I	3.2
	150	ECSF0GE157	J	4.8
	220	ECSF0GE227	K	7.1
	330	ECSF0GE337	L	10.6
470	ECSF0GE477	M	15.1	
6.3	4.7	ECSF0JE475K	C	0.3
	6.8	ECSF0JE685K	C	0.4
	10	ECSF0JE106K	D	0.6
	15	ECSF0JE156K	E	0.8
	22	ECSF0JE226K	F	1.2
	33	ECSF0JE336K	G	1.7
	47	ECSF0JE476	H	2.4
	68	ECSF0JE686	I	3.5
	100	ECSF0JE107	J	5.1
	150	ECSF0JE157	K	7.6
	220	ECSF0JE227	L	11.1
330	ECSF0JE337	M	16.7	
10	2.2	ECSF1AE225K	B	0.2
	3.3	ECSF1AE335K	C	0.3
	4.7	ECSF1AE475K	C	0.4
	6.8	ECSF1AE685K	D	0.6
	10	ECSF1AE106K	E	0.8
	15	ECSF1AE156K	F	1.2
	22	ECSF1AE226K	G	1.8
	33	ECSF1AE336K	H	2.7
	47	ECSF1AE476K	I	3.8
	68	ECSF1AE686	J	5.5
	100	ECSF1AE107	K	8.0
	150	ECSF1AE157	L	12.0
220	ECSF1AE227	M	17.6	

STANDARD PRODUCTS TABLE

Rated DC Working Voltage [V]	Nominal Capacitance (120Hz, +20°C) [μ F]	Part Number	Size Code	Leakage Current : \leq (+20°C) [μ A]
16	1	ECSF1CE105K	A	0.2
	1.5	ECSF1CE155K	B	0.2
	2.2	ECSF1CE225K	C	0.3
	3.3	ECSF1CE335K	C	0.5
	4.7	ECSF1CE475K	D	0.7
	6.8	ECSF1CE685K	E	0.9
	10	ECSF1CE106K	F	1.3
	15	ECSF1CE156K	G	2.0
	22	ECSF1CE226K	H	2.9
	33	ECSF1CE336K	I	4.3
	47	ECSF1CE476	J	6.1
	68	ECSF1CE686	K	8.8
	100	ECSF1CE107	L	12.8
	150	ECSF1CE157	M	19.2
25	1.5	ECSF1EE155K	C	0.3
	2.2	ECSF1EE225K	C	0.5
	3.3	ECSF1EE335K	D	0.7
	4.7	ECSF1EE475K	E	1.0
	6.8	ECSF1EE685K	F	1.4
	10	ECSF1EE106K	H	2.0
	15	ECSF1EE156K	I	3.0
	22	ECSF1EE226	J	4.4
	33	ECSF1EE336	K	6.6
	47	ECSF1EE476	L	9.4
	68	ECSF1EE686	M	13.6

STANDARD PRODUCTS TABLE

Rated DC Working Voltage [V]	Nominal Capacitance (120Hz, +20°C) [μF]	Part Number	Size Code	Leakage Current : ≤ (+20°C) [μA]
35	0.047	ECSF1VE473	A	0.05
	0.068	ECSF1VE683	A	0.05
	0.1	ECSF1VE104	A	0.05
	0.15	ECSF1VE154	A	0.05
	0.22	ECSF1VE224	A	0.07
	0.33	ECSF1VE334	A	0.1
	0.47	ECSF1VE474	B	0.2
	0.68	ECSF1VE684	B	0.2
	1	ECSF1VE105K	C	0.3
	1.5	ECSF1VE155K	C	0.5
	2.2	ECSF1VE225K	D	0.7
	3.3	ECSF1VE335K	E	1.0
	4.7	ECSF1VE475K	F	1.4
	6.8	ECSF1VE685K	H	2.0
	10	ECSF1VE106K	I	2.8
	15	ECSF1VE156	J	4.2
	22	ECSF1VE226	K	6.2
33	ECSF1VE336	L	9.3	
47	ECSF1VE476	M	13.2	
50	0.1	ECSF1HE104	A	0.05
	0.15	ECSF1HE154	A	0.06
	0.22	ECSF1HE224	B	0.09
	0.33	ECSF1HE334	C	0.2
	0.47	ECSF1HE474	D	0.2
	0.68	ECSF1HE684	D	0.3
	1	ECSF1HE105K	E	0.4
	1.5	ECSF1HE155K	F	0.6
	2.2	ECSF1HE225K	G	0.9
	3.3	ECSF1HE335K	H	1.4
	4.7	ECSF1HE475K	I	1.9
	6.8	ECSF1HE685	K	2.8
	10	ECSF1HE106	L	4.0
15	ECSF1HE156	M	6.0	