

Document Title**32K x8 bit 2.7~5.5V Low Power Slow SRAM**Revision History

<u>Revision No</u>	<u>History</u>	<u>Draft Date</u>	<u>Remark</u>
00	Initial	Feb.05.2001	Preliminary
01	Revised - Change LL-Part Isb1 Limit @E.T/I.T, 4.5~5.5V : 15uA => 20uA	Feb.13.2001	Final
02	Revised - Marking Information Change : SOP Type - Voh Limit Change : 2.4V => 2.2V @2.7~3.6V	Feb.21.2001	Final
03	Changed Logo - HYUNDAI -> hynix - Marking Information Change	Apr.30.2001	Final
04	Revised - Iccdr Limit Add : 2uA @40°C	May.23.2001	Final

DESCRIPTION

The HY62WT08081E is a high-speed, low power and 32,786 X 8-bits CMOS Static Random Access Memory fabricated using Hynix's high performance CMOS process technology. It is suitable for use in low voltage operation and battery back-up application. This device has a data retention mode that guarantees data to remain valid at the minimum power supply voltage of 2.0 volt.

FEATURES

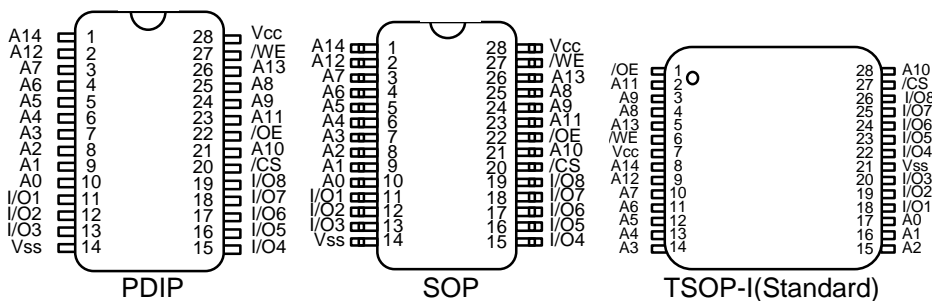
- Fully static operation and Tri-state output
- TTL compatible inputs and outputs
- Low power consumption
- Battery backup(LL-part)
 - 2.0V(min.) data retention
- Standard pin configuration
 - 28 pin 600mil PDIP
 - 28 pin 330mil SOP
 - 28 pin 8x13.4 mm TSOP-I (Standard)

Product No.	Voltage (V)	Speed (ns)	Operation Current(mA)	Standby Current(uA) LL-part	Temperature (°C)
HY62WT08081E-C	4.5~5.5	55/70	10	10	0~70(Normal)
	2.7~3.6	70*/85	2	5	
HY62WT08081E-E	4.5~5.5	55/70	10	20	-25~85(Extended)
	2.7~3.6	70*/85	2	8	
HY62WT08081E-I	4.5~5.5	55/70	10	20	-40~85(Industrial)
	2.7~3.6	70*/85	2	8	

Note 1. Current value is max.

* 70ns is available with 30pF test load

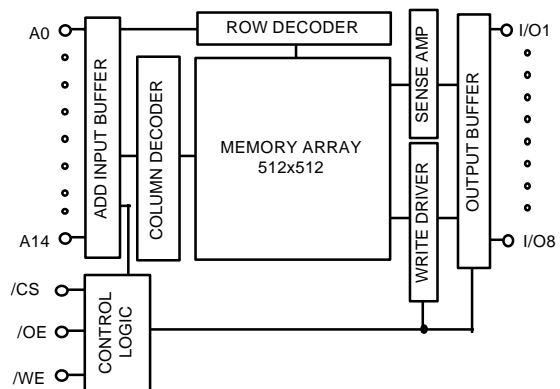
PIN CONNECTION



PIN DESCRIPTION

Pin Name	Pin Function
/CS	Chip Select
/WE	Write Enable
/OE	Output Enable
A0 ~ A14	Address Inputs
I/O1 ~ I/O8	Data Input/Output
Vcc	Power(+5.0V)
Vss	Ground

BLOCK DIAGRAM



ORDERING INFORMATION

Part No.	Speed		Power	Temp	Package
	4.5~5.5V	2.7~3.6V			
HY62WT08081E-DPC	55/70	70*/85	LL-part	0 to 70°C	PDIP
HY62WT08081E-DPE				-25 to 85°C	
HY62WT08081E-DPI				-40 to 85°C	
HY62WT08081E-DGC				0 to 70°C	SOP
HY62WT08081E-DGE				-25 to 85°C	
HY62WT08081E-DGI				-40 to 85°C	
HY62WT08081E-DTC				0 to 70°C	TSOP-I Standard
HY62WT08081E-DTE				-25 to 85°C	
HY62WT08081E-DTI				-40 to 85°C	

Note * 70ns is available with 30pF test load

ABSOLUTE MAXIMUM RATING (1)

Symbol	Parameter	Rating	Unit	
V _{CC} , V _{IN} , V _{OUT}	Power Supply, Input/Output Voltage	4.5~5.5V	-0.3 to 7.0	V
		2.7~3.6V	-0.3 to 4.6	V
T _A	Operating Temperature	HY62WT08081E-C	0 to 70	°C
		HY62WT08081E-E	-25 to 85	°C
		HY62WT08081E-I	-40 to 85	°C
T _{STG}	Storage Temperature	-65 to 150	°C	
P _D	Power Dissipation	1.0	W	
I _{OUT}	Data Output Current	50	mA	
T _{SOLDER}	Lead Soldering Temperature & Time	260 •10	°C•sec	

Note

- Stresses greater than those listed under ABSOLUTE MAXIMUM RATINGS may cause permanent damage to the device. This is stress rating only and the functional operation of the device under these or any other conditions above those indicated in the operation of this specification is not implied. Exposure to the absolute maximum rating conditions for extended period may affect reliability.

RECOMMENDED DC OPERATING CONDITIONSV_{CC} = 4.5~5.5V

Symbol	Parameter	Min.	Typ.	Max.	Unit
V _{CC}	Power Supply Voltage	4.5	5.0	5.5	V
V _{SS}	Ground	0	0	0	V
V _{IH}	Input High Voltage	2.2	-	V _{CC} +0.3	V
V _{IL}	Input Low Voltage	-0.3(1)	-	0.8	V

Note1. V_{IL} = -3.0V for pulse width less than 50nsV_{CC} = 2.7~3.6V

Symbol	Parameter	Min.	Typ.	Max.	Unit
V _{CC}	Power Supply Voltage	2.7	3.0/3.3	3.6	V
V _{SS}	Ground	0	0	0	V
V _{IH}	Input High Voltage	2.2	-	V _{CC} +0.3	V
V _{IL}	Input Low Voltage	-0.3(1)	-	0.6	V

Note1. V_{IL} = -1.5V for pulse width less than 50ns**TRUTH TABLE**

/CS	/WE	/OE	Mode	I/O Operation
H	X	X	Standby	High-Z
L	H	H	Output Disabled	High-Z
L	H	L	Read	Data Out
L	L	X	Write	Data In

Note

1. H=V_{IH}, L=V_{IL}, X=Don't Care

DC CHARACTERISTICS

$V_{CC} = 4.5 \sim 5.5V$, $T_A = 0^\circ C$ to $70^\circ C$ (Normal) / $-25^\circ C$ to $85^\circ C$ (Extended) / $-40^\circ C$ to $85^\circ C$ (Industrial), unless otherwise specified.

Symbol	Parameter	Test Condition	Min.	Typ.	Max.	Unit	
I _{LI}	Input Leakage Current	$V_{SS} \leq V_{IN} \leq V_{CC}$	-1	-	1	uA	
I _{LO}	Output Leakage Current	$V_{SS} \leq V_{OUT} \leq V_{CC}$, /CS = V _{IH} or /OE = V _{IH} or /WE = V _{IL}	-1	-	1	uA	
I _{CC}	Operating Power Supply Current	/CS = V _{IL} , V _{IN} = V _{IH} or V _{IL} , I _{I/O} = 0mA	-	-	10	mA	
I _{CC1}	Average Operating Current	/CS = V _{IL} , V _{IN} = V _{IH} or V _{IL} , Min. Duty Cycle = 100%, I _{I/O} = 0mA	-	-	50	mA	
I _{SB}	TTL Standby Current (TTL Inputs)	/CS = V _{IH} , V _{IN} = V _{IH} or V _{IL}	-	-	1	mA	
I _{SB1}	CMOS Standby Current (CMOS Inputs)	/CS $\geq V_{CC} - 0.2V$, V _{IN} $\geq V_{CC} - 0.2V$ or V _{IN} $\leq V_{SS} + 0.2V$	0~ 70°C	-	-	10	uA
			-25~ 85°C or -40~ 85°C	-	-	20	uA
V _{OL}	Output Low Voltage	I _{OL} = 2.1mA	-	-	0.4	V	
V _{OH}	Output High Voltage	I _{OH} = -1.0mA	2.4	-	-	V	

Note : Typical values are at $V_{CC} = 5.0V$, $T_A = 25^\circ C$

$V_{CC} = 2.7 \sim 3.6V$, $T_A = 0^\circ C$ to $70^\circ C$ (Normal) / $-25^\circ C$ to $85^\circ C$ (Extended) / $-40^\circ C$ to $85^\circ C$ (Industrial), unless otherwise specified.

Symbol	Parameter	Test Condition	Min.	Typ.	Max.	Unit	
I _{LI}	Input Leakage Current	$V_{SS} \leq V_{IN} \leq V_{CC}$	-1	-	1	uA	
I _{LO}	Output Leakage Current	$V_{SS} \leq V_{OUT} \leq V_{CC}$, /CS = V _{IH} or /OE = V _{IH} or /WE = V _{IL}	-1	-	1	uA	
I _{CC}	Operating Power Supply Current	/CS = V _{IL} , V _{IN} = V _{IH} or V _{IL} , I _{I/O} = 0mA	-	-	2	mA	
I _{CC1}	Average Operating Current	/CS = V _{IL} , V _{IN} = V _{IH} or V _{IL} , Min. Duty Cycle = 100%, I _{I/O} = 0mA	-	-	30	mA	
I _{SB}	TTL Standby Current (TTL Inputs)	/CS = V _{IH} , V _{IN} = V _{IH} or V _{IL}	-	-	0.3	mA	
I _{SB1}	CMOS Standby Current (CMOS Inputs)	/CS $\geq V_{CC} - 0.2V$, V _{IN} $\geq V_{CC} - 0.2V$ or V _{IN} $\leq V_{SS} + 0.2V$	0~ 70°C	-	-	5	uA
			-25~ 85°C or -40~ 85°C	-	-	8	uA
V _{OL}	Output Low Voltage	I _{OL} = 2.1mA	-	-	0.4	V	
V _{OH}	Output High Voltage	I _{OH} = -1.0mA	2.2	-	-	V	

Note : Typical values are at $V_{CC} = 3.0/3.3V$, $T_A = 25^\circ C$

AC CHARACTERISTICS

V_{cc} = 5V ±10%, T_A = 0°C to 70°C (Normal) / -25°C to 85°C (Extended) / -40°C to 85°C (Industrial) unless otherwise specified.

#	Symbol	Parameter	-55		-70		Unit
			Min.	Max.	Min.	Max.	
READ CYCLE							
1	t _{RC}	Read Cycle Time	55	-	70	-	ns
2	t _{AA}	Address Access Time	-	55	-	70	ns
3	t _{ACS}	Chip Select Access Time	-	55	-	70	ns
4	t _{OE}	Output Enable to Output Valid	-	25	-	35	ns
5	t _{CLZ}	Chip Select to Output in Low Z	10	-	10	-	ns
6	t _{OLZ}	Output Enable to Output in Low Z	5	-	5	-	ns
7	t _{CHZ}	Chip Disable to Output in High Z	0	20	0	30	ns
8	t _{OHZ}	Out Disable to Output in High Z	0	20	0	30	ns
9	t _{OH}	Output Hold from Address Change	5	-	5	-	ns
WRITE CYCLE							
10	t _{WC}	Write Cycle Time	55	-	70	-	ns
11	t _{CW}	Chip Selection to End of Write	45	-	60	-	ns
12	t _{AW}	Address Valid to End of Write	45	-	60	-	ns
13	t _{AS}	Address Set-up Time	0	-	0	-	ns
14	t _{WP}	Write Pulse Width	40	-	50	-	ns
15	t _{WR}	Write Recovery Time	0	-	0	-	ns
16	t _{WHZ}	Write to Output in High Z	0	20	0	25	ns
17	t _{DW}	Data to Write Time Overlap	25	-	30	-	ns
18	t _{DH}	Data Hold from Write Time	0	-	0	-	ns
19	t _{OW}	Output Active from End of Write	5	-	5	-	ns

V_{cc} = 2.7~3.6V, T_A = 0°C to 70°C (Normal) / -25°C to 85°C (Extended) / -40°C to 85°C (Industrial) unless otherwise specified.

#	Symbol	Parameter	-70*		-85		Unit
			Min.	Max.	Min	Max.	
READ CYCLE							
1	t _{RC}	Read Cycle Time	70	-	85	-	ns
2	t _{AA}	Address Access Time	-	70	-	85	ns
3	t _{ACS}	Chip Select Access Time	-	70	-	85	ns
4	t _{OE}	Output Enable to Output Valid	-	35	-	45	ns
5	t _{CLZ}	Chip Select to Output in Low Z	10	-	10	-	ns
6	t _{OLZ}	Output Enable to Output in Low Z	5	-	5	-	ns
7	t _{CHZ}	Chip Disable to Output in High Z	0	30	0	30	ns
8	t _{OHZ}	Out Disable to Output in High Z	0	30	0	30	ns
9	t _{OH}	Output Hold from Address Change	5	-	5	-	ns
WRITE CYCLE							
10	t _{WC}	Write Cycle Time	70	-	85	-	ns
11	t _{CW}	Chip Selection to End of Write	60	-	75	-	ns
12	t _{AW}	Address Valid to End of Write	60	-	75	-	ns
13	t _{AS}	Address Set-up Time	0	-	0	-	ns
14	t _{WP}	Write Pulse Width	50	-	60	-	ns
15	t _{WR}	Write Recovery Time	0	-	0	-	ns
16	t _{WHZ}	Write to Output in High Z	0	25	0	30	ns
17	t _{DW}	Data to Write Time Overlap	30	-	40	-	ns
18	t _{DH}	Data Hold from Write Time	0	-	0	-	ns
19	t _{OW}	Output Active from End of Write	5	-	5	-	ns

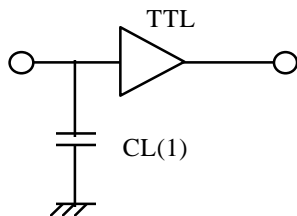
Note * 70ns is available with 30pF test load

AC TEST CONDITIONS

$T_A = 0^\circ\text{C}$ to 70°C (Normal) / -25°C to 85°C (Extended) / -40°C to 85°C (Industrial)
 unless otherwise specified.

Parameter		Value
Input Pulse Level	$V_{CC} = 4.5\sim 5.5\text{V}$	0.8V to 2.4V
	$V_{CC} = 2.7\sim 3.6\text{V}$	0.4V to 2.2V
Input Rise and Fall Time		5ns
Input and Output Timing Reference Level		1.5V
Output Load	tCLZ,tOLZ,tCHZ,tOHZ,tWHZ,tOW	CL = 5pF + 1TTL Load
	Others	CL = 100pF + 1TTL Load
		CL* = 30pF + 1TTL Load

AC TEST LOADS



Note : Including jig and scope capacitance

CAPACITANCE

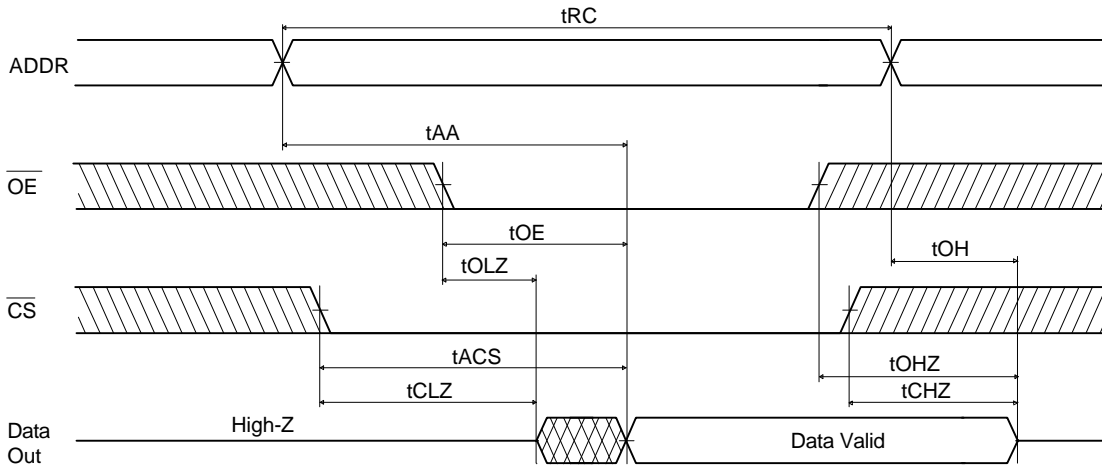
$T_A = 25^\circ\text{C}$, $f = 1.0\text{MHz}$

Symbol	Parameter	Condition	Max.	Unit
C_{IN}	Input Capacitance	$V_{IN} = 0\text{V}$	6	pF
$C_{I/O}$	Input /Output Capacitance	$V_{I/O} = 0\text{V}$	8	pF

Note : These parameters are sampled and not 100% tested

TIMING DIAGRAM

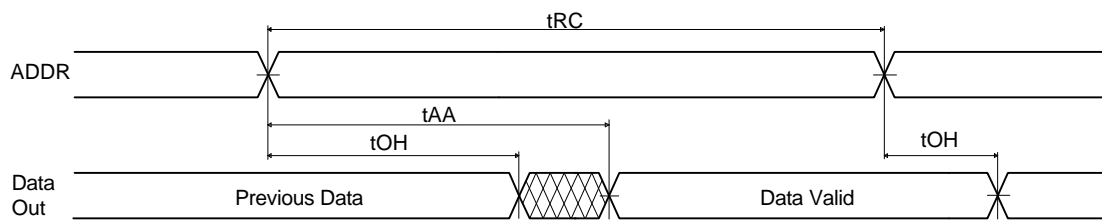
READ CYCLE 1



Note(READ CYCLE):

1. t_{CHZ} and t_{OHZ} are defined as the time at which the outputs achieve the open circuit conditions and are not referenced to output voltage levels.
2. At any given temperature and voltage condition, t_{CHZ} max. is less than t_{CLZ} min. both for a given device and from device to device.
3. \overline{WE} is high for the read cycle.

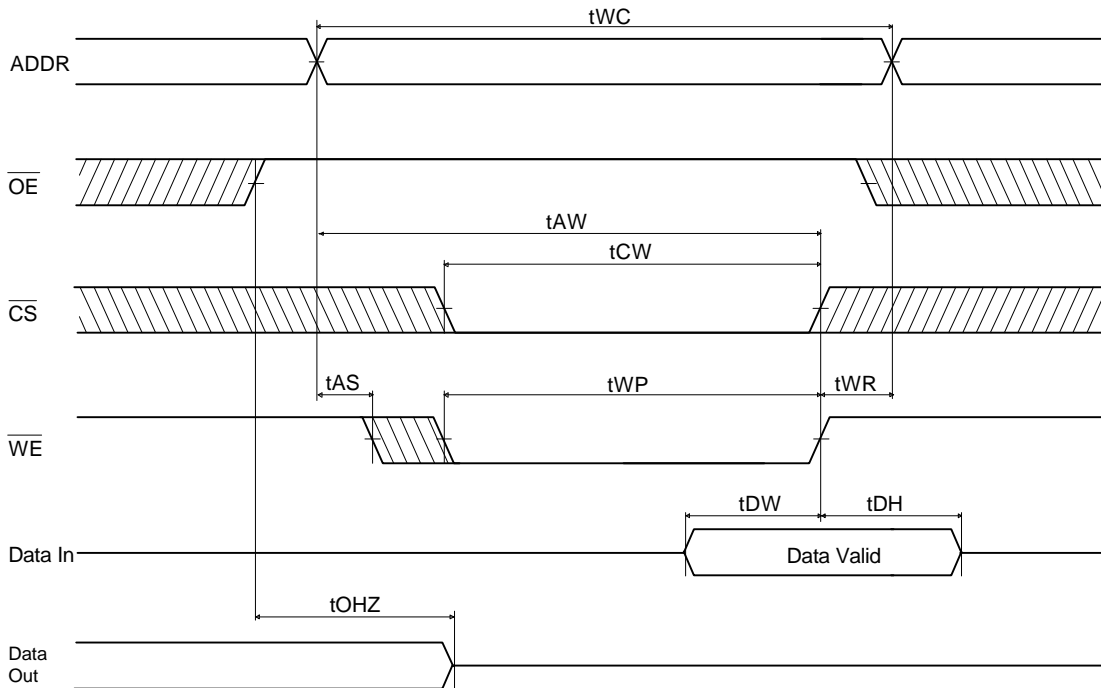
READ CYCLE 2



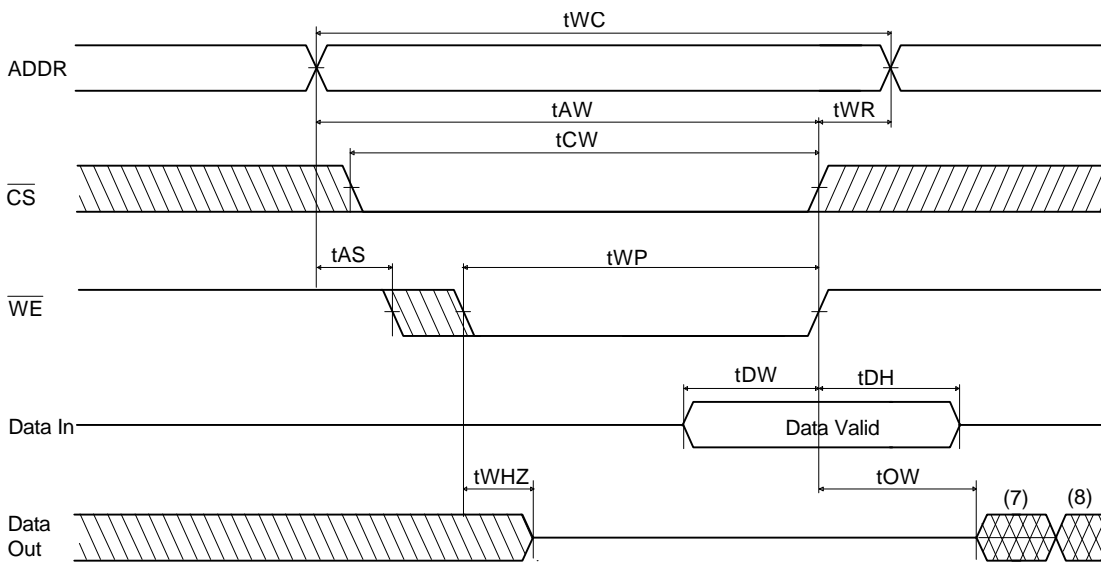
Note(READ CYCLE):

1. \overline{WE} is high for the read cycle.
2. Device is continuously selected $\overline{CS} = V_{IL}$.
3. $\overline{OE} = V_{IL}$.

WRITE CYCLE 1 (/OE Clocked)



WRITE CYCLE 2 (/OE Low Fixed)



Notes(WRITE CYCLE):

1. A write occurs during the overlap of a low /CS and a low /WE. A write begins at the latest transition among /CS going low and /WE going low: A write ends at the earliest transition among /CS going high and /WE going high. tWP is measured from the beginning of write to the end of write.
2. tcw is measured from the later of /CS going low to the end of write .
3. tAS is measured from the address valid to the beginning of write.
4. tWR is measured from the end of write to the address change. tWR is applied in case a write ends as /CS, or /WE going high.
5. If /OE and /WE are in the read mode during this period, and the I/O pins are in the output low-Z state, input of opposite phase of the output must not be applied because bus contention can occur.
6. If /CS goes low simultaneously with /WE going low, or after /WE going low, the outputs remain in high impedance state.
7. DOUT is the same phase of the latest written data in this write cycle.
8. DOUT is the read data of the new address.

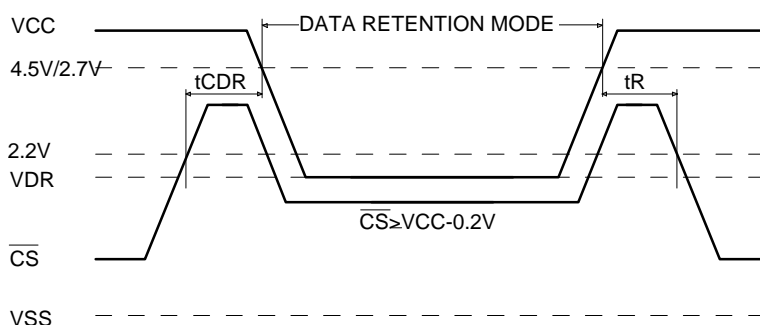
DATA RETENTION CHARACTERISTIC

TA = 0°C to 70°C (Normal) / -25°C to 85°C (Extended) / -40°C to 85°C (Industrial)
 unless otherwise specified.

Symbol	Parameter	Test Condition	Min	Typ(1)	Max	Unit	
VDR	Vcc for Data Retention	CS ≥ Vcc-0.2V, VIN ≥ Vcc - 0.2V or VIN ≤ Vss + 0.2V	2.0	-	-	V	
ICDDR(3)	Data Retention Current	Vcc=3.0V, /CS ≥ Vcc - 0.2V, VIN ≥ Vcc - 0.2V or VIN ≤ Vss + 0.2V	0~ 70°C	-	0.5	5	uA
			-25~ 85°C or -40~ 85°C	-	0.5	8	uA
tCDR	Chip Deselect to Data Retention Time	See Data Retention	0	-	-	ns	
tR	Operating Recovery Time	Timing Diagram	tRC(2)	-	-	ns	

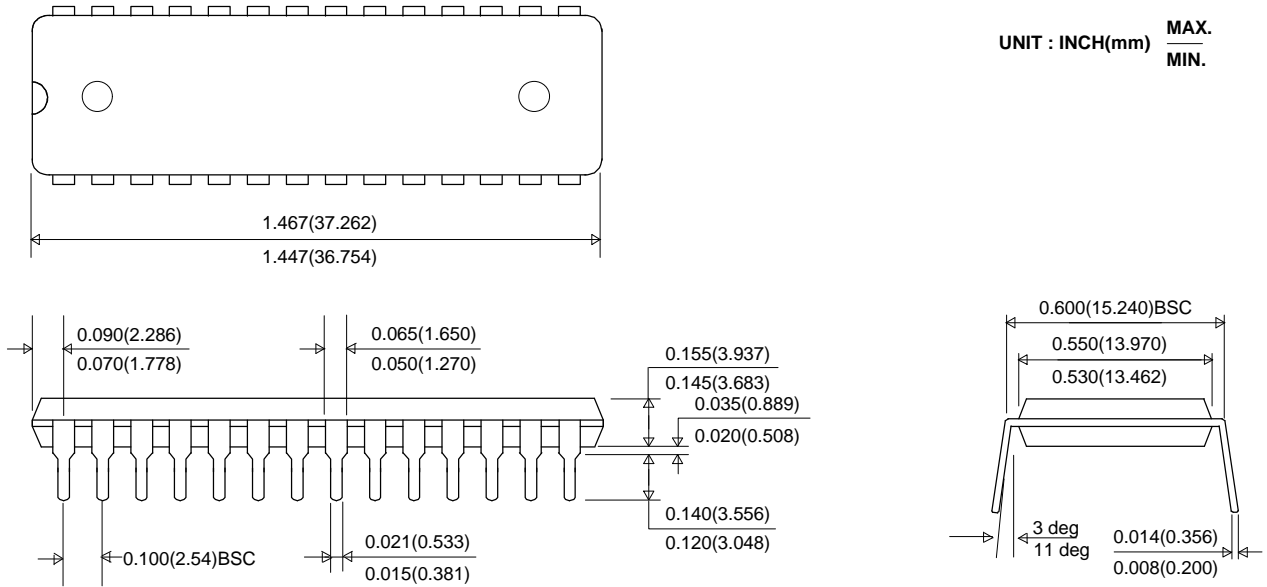
Notes

1. Typical values are under the condition of TA = 25°C.
2. tRC is read cycle time.
3. Iccdr : 2uA at Ta < 40°C

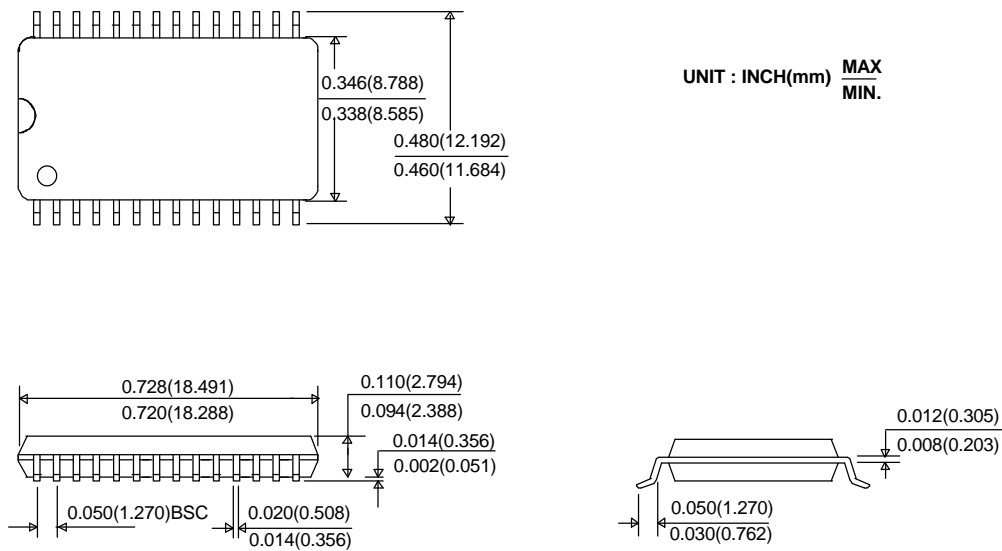
DATA RETENTION TIMING DIAGRAM


PACKAGE INFORMATION

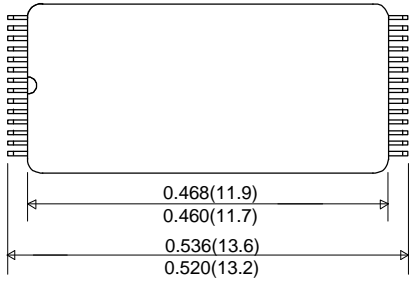
28pin 600mil Dual In-Line Package(Blank)



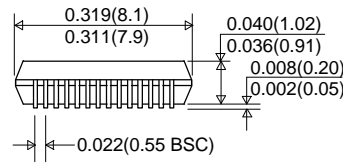
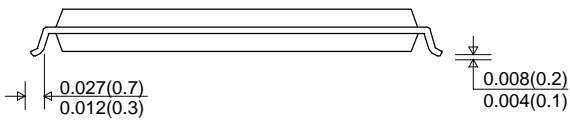
28pin 330mil Small Outline Package(FW)



28pin 8x13.4mm Thin Small Outline Package Standard(T)



UNIT : INCH(mm) ^{MAX.}
_{MIN.}



MARKING INFORMATION

Package	Marking Example																																																			
<p style="text-align: center;">PDIP</p>	<div style="text-align: center;"> <table border="1" style="margin: auto;"> <tr> <td>h</td><td>y</td><td>n</td><td>i</td><td>x</td><td></td><td></td><td></td><td></td><td></td><td></td><td></td><td>y</td><td>y</td><td>w</td><td>w</td><td>p</td> </tr> <tr> <td>H</td><td>Y</td><td>6</td><td>2</td><td>W</td><td>T</td><td>0</td><td>8</td><td>1</td><td>E</td><td>c</td><td>s</td><td>s</td><td>t</td><td></td><td></td><td></td> </tr> <tr> <td>K</td><td>O</td><td>R</td><td>E</td><td>A</td><td></td><td></td><td></td><td></td><td></td><td></td><td></td><td></td><td></td><td></td><td></td><td></td> </tr> </table> </div>	h	y	n	i	x								y	y	w	w	p	H	Y	6	2	W	T	0	8	1	E	c	s	s	t				K	O	R	E	A												
h	y	n	i	x								y	y	w	w	p																																				
H	Y	6	2	W	T	0	8	1	E	c	s	s	t																																							
K	O	R	E	A																																																
<p style="text-align: center;">SOP</p>	<div style="text-align: center;"> <table border="1" style="margin: auto;"> <tr> <td>h</td><td>y</td><td>n</td><td>i</td><td>x</td><td></td><td></td><td></td><td></td><td></td><td></td><td></td><td>y</td><td>y</td><td>w</td><td>w</td><td>p</td> </tr> <tr> <td>H</td><td>Y</td><td>6</td><td>2</td><td>W</td><td>T</td><td>0</td><td>8</td><td>1</td><td>E</td><td>c</td><td>s</td><td>s</td><td>t</td><td></td><td></td><td></td> </tr> <tr> <td>K</td><td>O</td><td>R</td><td>E</td><td>A</td><td></td><td></td><td></td><td></td><td></td><td></td><td></td><td></td><td></td><td></td><td></td><td></td> </tr> </table> </div>	h	y	n	i	x								y	y	w	w	p	H	Y	6	2	W	T	0	8	1	E	c	s	s	t				K	O	R	E	A												
h	y	n	i	x								y	y	w	w	p																																				
H	Y	6	2	W	T	0	8	1	E	c	s	s	t																																							
K	O	R	E	A																																																
<p style="text-align: center;">TSOP-I</p>	<div style="text-align: center;"> <table border="1" style="margin: auto;"> <tr> <td>h</td><td>y</td><td>n</td><td>i</td><td>x</td><td></td><td></td><td></td><td></td><td></td><td></td><td></td><td>y</td><td>y</td><td>w</td><td>w</td><td>p</td> </tr> <tr> <td>H</td><td>Y</td><td>6</td><td>2</td><td>W</td><td>T</td><td>0</td><td>8</td><td>1</td><td>E</td><td>c</td><td>s</td><td>s</td><td>t</td><td></td><td></td><td></td> </tr> <tr> <td>K</td><td>O</td><td>R</td><td>E</td><td>A</td><td></td><td></td><td></td><td></td><td></td><td></td><td></td><td></td><td></td><td></td><td></td><td></td> </tr> </table> </div>	h	y	n	i	x								y	y	w	w	p	H	Y	6	2	W	T	0	8	1	E	c	s	s	t				K	O	R	E	A												
h	y	n	i	x								y	y	w	w	p																																				
H	Y	6	2	W	T	0	8	1	E	c	s	s	t																																							
K	O	R	E	A																																																

Index	
<ul style="list-style-type: none"> • hynix • KOREA • HY62WT081E 	<ul style="list-style-type: none"> : hynix Logo : Origin Country : Part Name <li style="padding-left: 20px;">- HY62WT081E : 2.7~5.5V
<ul style="list-style-type: none"> • yy • ww • p • c 	<ul style="list-style-type: none"> : Year (ex : 00 = year 2000, 01 = year 2001) : Work Week (ex : 12 = ww12) : Process Code : Power Consumption <li style="padding-left: 20px;">- L : Low Power <li style="padding-left: 20px;">- D : Low Low Power
<ul style="list-style-type: none"> • ss 	<ul style="list-style-type: none"> : Speed <li style="padding-left: 20px;">- 55 : 55ns @ 4.5~5.5V 70ns @ 2.7~3.6V <li style="padding-left: 20px;">- 70 : 70ns @ 4.5~5.5V 85ns @ 2.7~3.6V
<ul style="list-style-type: none"> • t 	<ul style="list-style-type: none"> : Temperature <li style="padding-left: 20px;">- C : Commercial (0 ~ 70 °C) <li style="padding-left: 20px;">- E : Extended (-25 ~ 85 °C) <li style="padding-left: 20px;">- I : Industrial (-40 ~ 85 °C)
<ul style="list-style-type: none"> • xxxxxxxx 	<ul style="list-style-type: none"> : Lot Number
<p>Note</p> <ul style="list-style-type: none"> - Capital Letter - Small Letter 	<ul style="list-style-type: none"> : Fixed Item : Non-fixed Item (Except hynix)