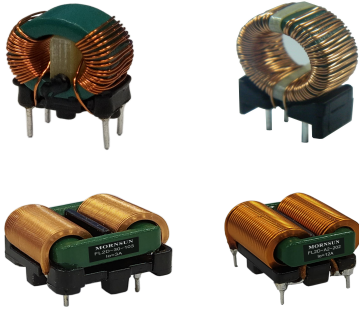


Common Mode Filter



RoHS

FEATURES

- Good temperature characteristic
- Compact size
- Effective anti-interference
- High reliability
- Meets UL508 isolation requirements

It is suitable for occasions that are sensitive to noise and EMC, such as analog circuits. After installing a FL2D-xx-xxx at the input of the module, the noise at the output of the module can be greatly reduced, which can significantly improve the EMC performance.

Selection Guide

Model	Inductance (μH)(typ)	Current (A)(max)	DCR(mΩ) (typ)	Weight (g) (typ)	Size(L*W*H)
FL2D-Z5-103	10000*2	0.5	500*2	4.5	17*9.6*18 See Figure 1
FL2D-Z5-153	15000*2	0.5	600*2	4.5	17*9.6*18 See Figure 1
FL2D-Z5-223	22000*2	0.5	650*2	4.5	17*9.6*18 See Figure 1
FL2D-10-102	1000*2	1.0	70*2	4.5	17*9.6*18 See Figure 1
FL2D-10-222	2200*2	1.0	90*2	4.5	17*9.6*18 See Figure 1
FL2D-10-332	3300*2	1.0	100*2	4.5	17*9.6*18 See Figure 1
FL2D-10-472	4700*2	1.0	140*2	4.5	17*9.6*18 See Figure 1
FL2D-10-682	6800*2	1.0	160*2	6.5	19*11*23.5 See Figure 2
FL2D-10-822	8200*2	1.0	180*2	6.5	19*11*23.5 See Figure 2
FL2D-10-203	20000*2	1.0	240*2	5.6	18*10*17.5 See Figure 8
FL2D-30-351	350*2	3.0	30*2	3.9	17*9.6*18 See Figure 1
FL2D-30-102	1000*2	3.0	40*2	4.5	17*9.6*18 See Figure 1
FL2D-30-222	2200*2	3.0	50*2	4.5	17*9.6*18 See Figure 1
FL2D-30-472	4700*2	3.0	70*2	4.5	17*9.6*18 See Figure 1
FL2D-30-103	10000*2	3.0	50*2	13.8	24.5*22.5*15.5 See Figure 3
FL2D-60-402	4000*2	6	35*2	20	24*23.5*19 See Figure 5
FL2D-60-451	450*2	6	9*2	6.4	18*15*17 See Figure 6
FL2D-A2-202	2000*2	12.0	145*2	25.2	25.5*23.8*15.5 See Figure 4
FL2D-D0-040	4*2	40	2*2	30.9	36*28*20 See Figure 7

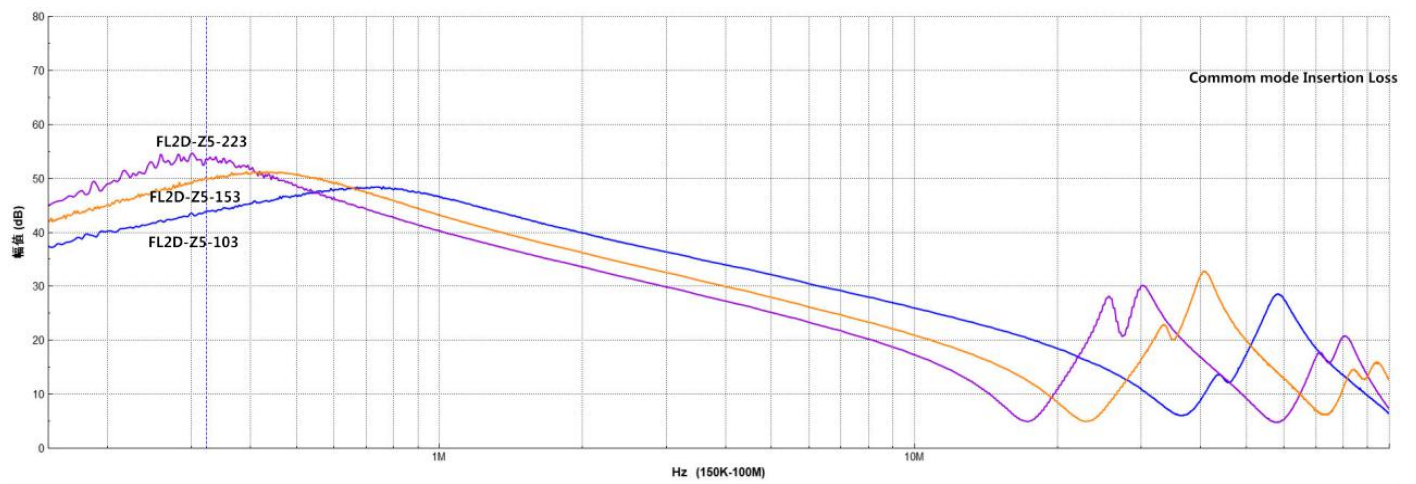
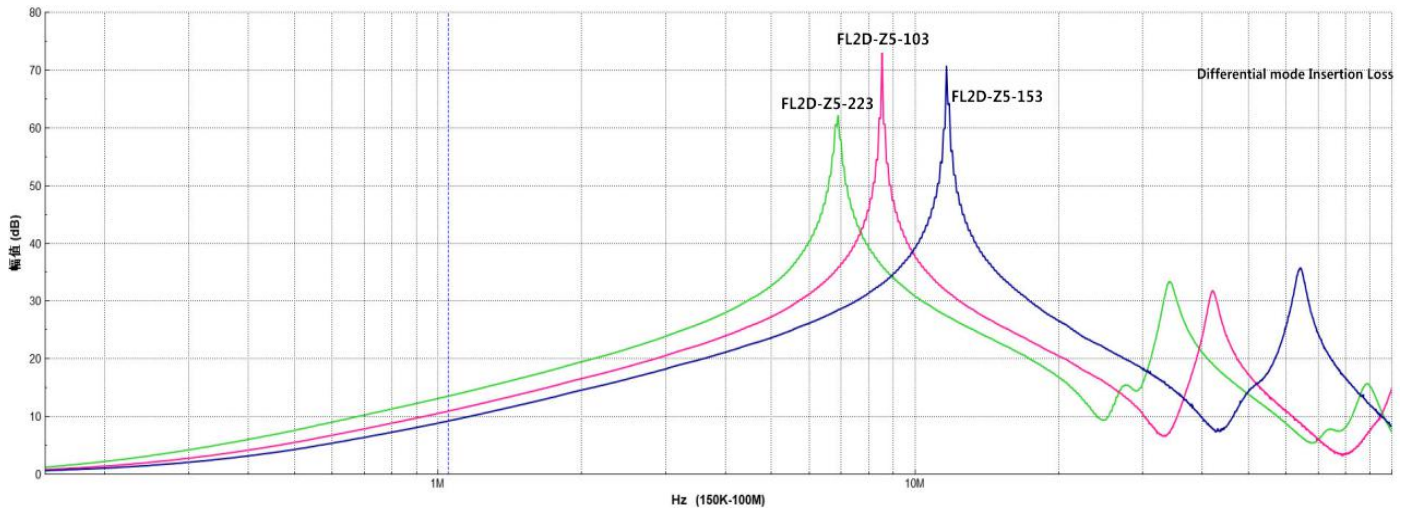
Note: The Inductance of FL2D-30-103, FL2D-A2-202 are minimum value, others are typical value.

General Specifications

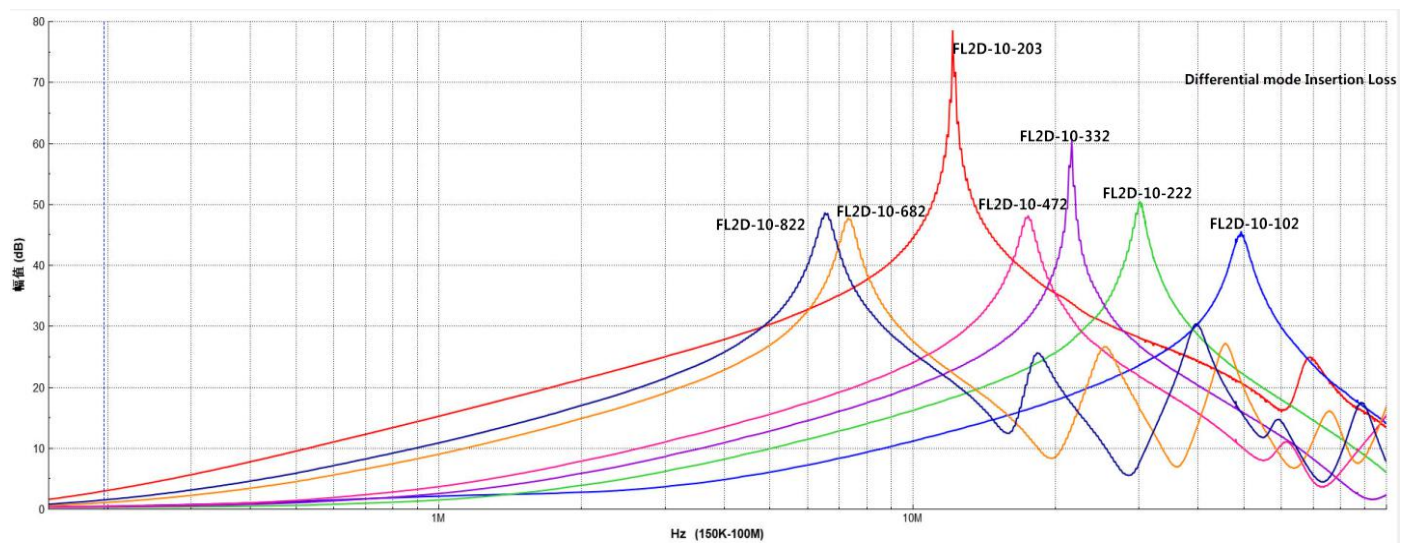
Item	Test Conditions	Min.	Typ.	Max.	Unit	
Operating Temperature*		-40	--	105	°C	
Storage Temperature		-40	--	105		
Storage Humidity		--	--	95	%RH	
Inductance	fo=1kHz, Uo=0.3V	FL2D-30-351	-50	--	--	%
		Others	-35	--	--	
Isolation	Leakage current Io=1mA		2000	--	--	VDC
	Leakage current Io=5mA, testing time 3s, only for FL2D-30-103, FL2D-A2-202	Coil-coil	1500	--	--	VAC
		Coil-core	1000	--	--	
Vibration	FL2D-30-103, FL2D-A2-202, FL2D-60-402, FL2D-60-451, FL2D-D0-040	IEC60077, IEC 61373 - Category 1, Grade B				

Note: \*Operating Temperature range includes inductor self heating.

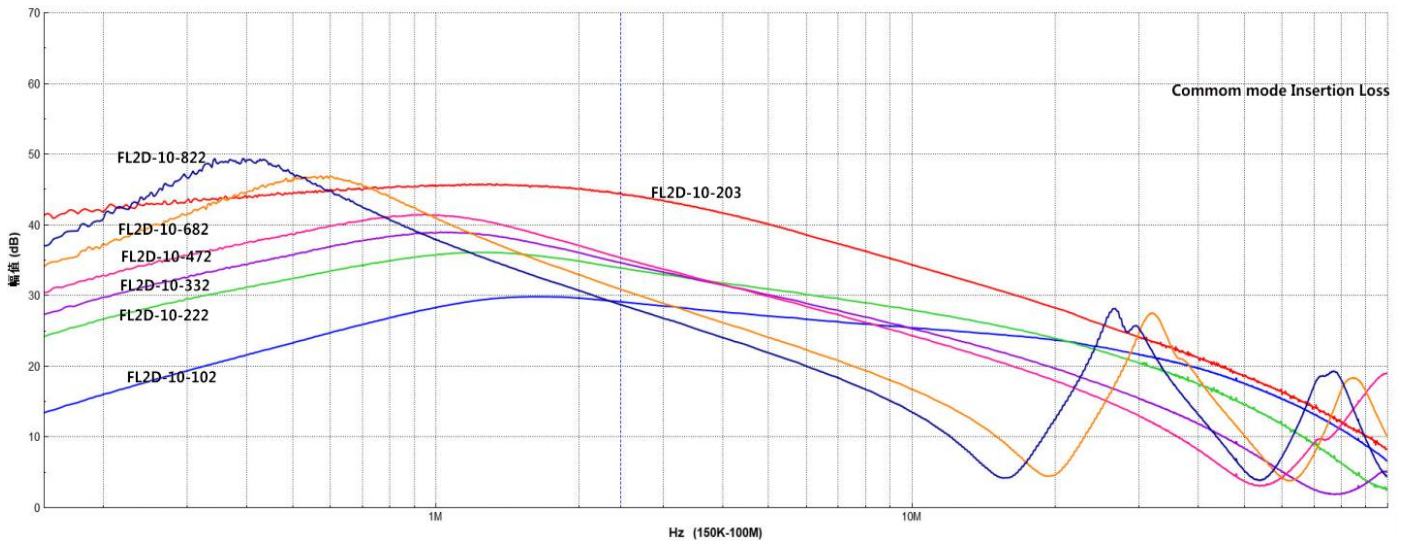
FL2D-Z5-xxx Insertion Loss Specifications (reference value )



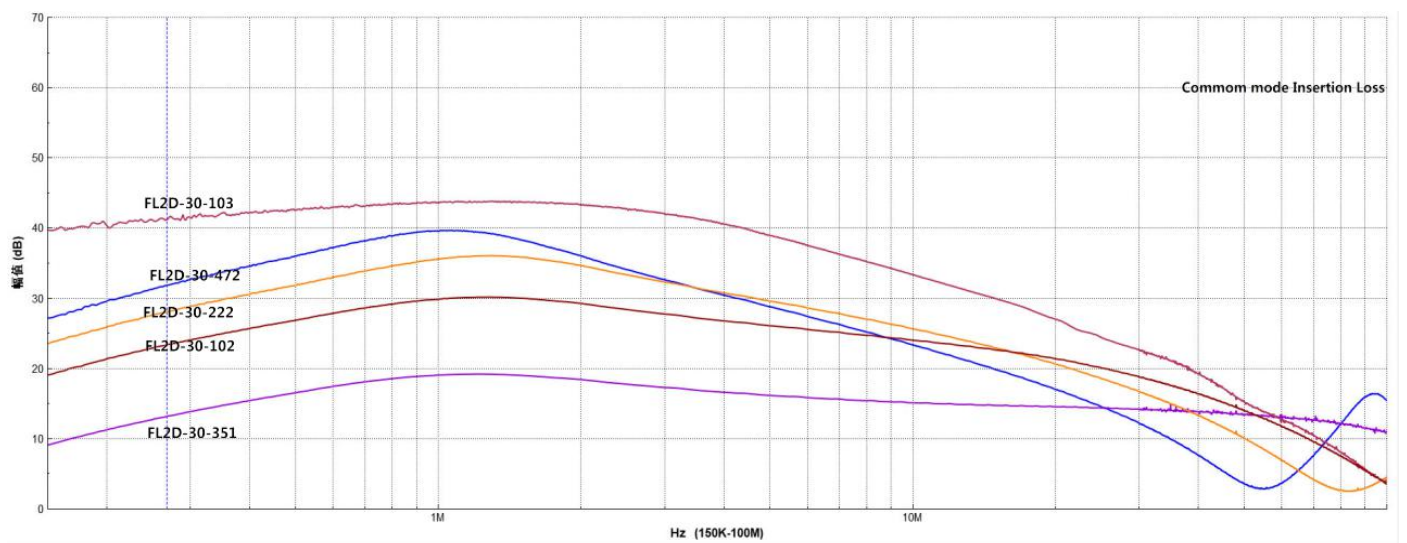
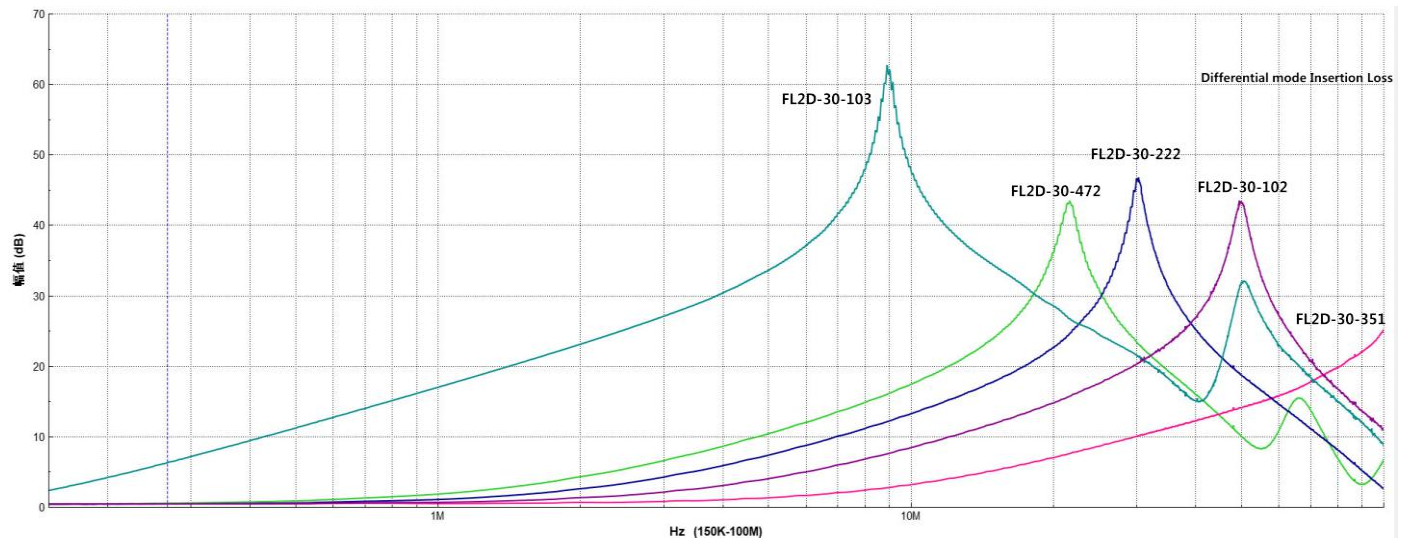
FL2D-10-xxx Insertion Loss Specifications (reference value )



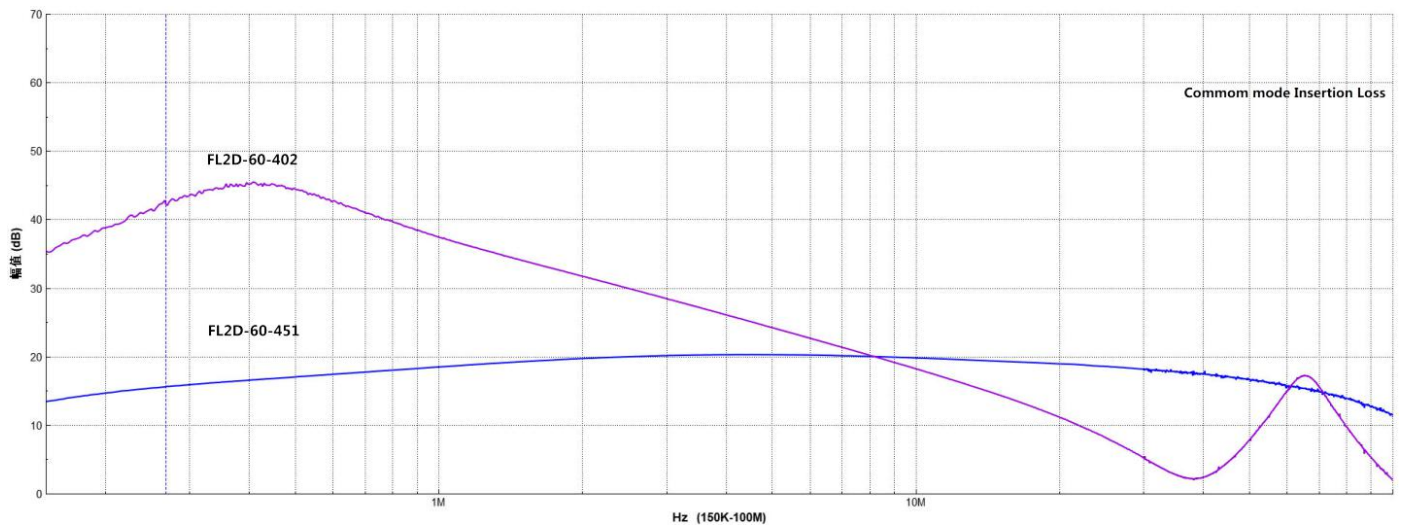
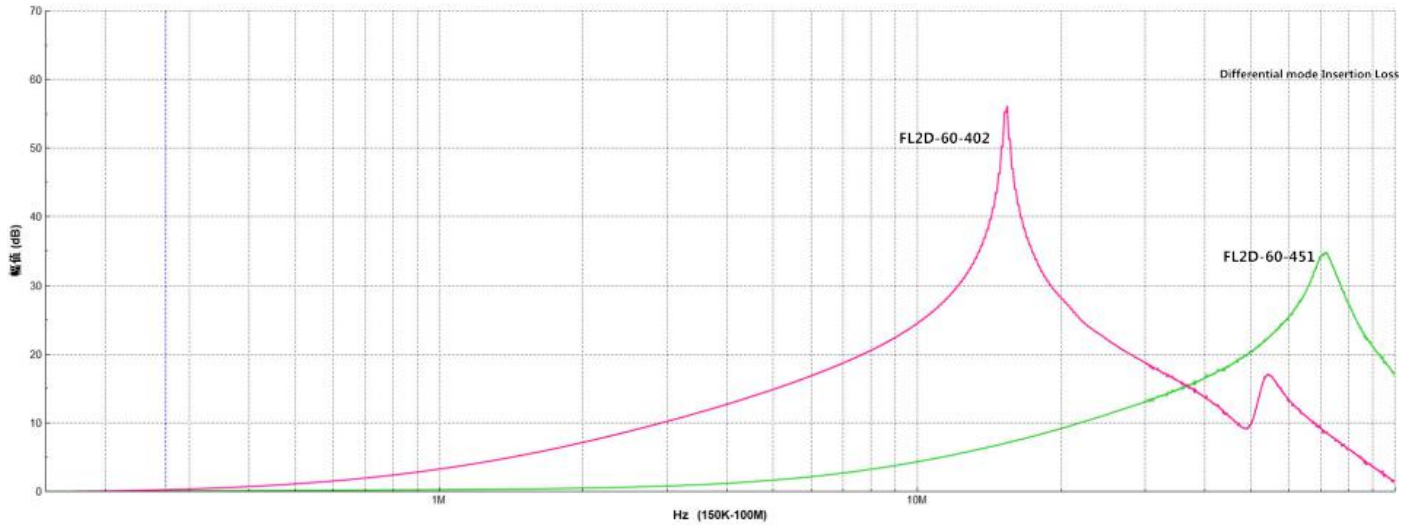




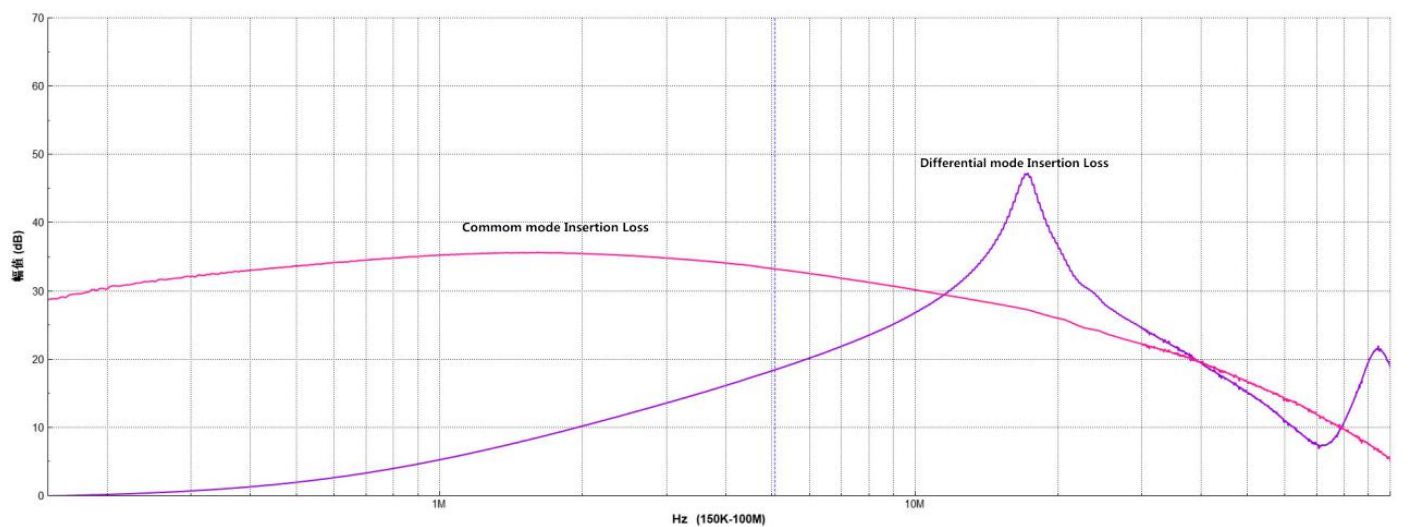
FL2D-30-xxx Insertion Loss Specifications (reference value )



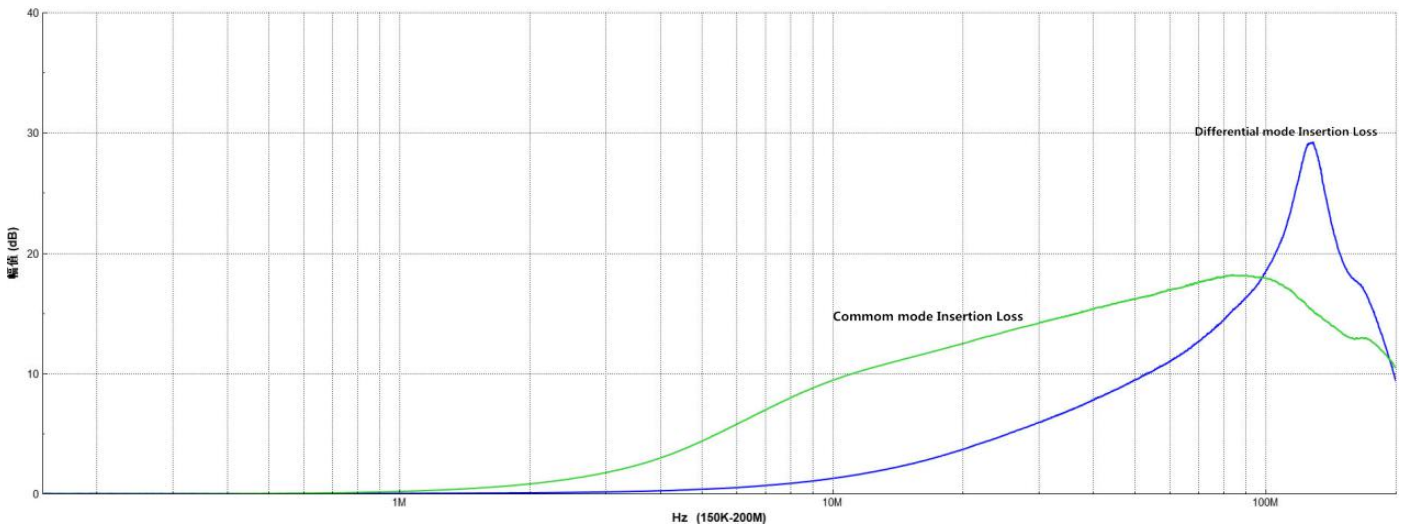
FL2D-60-xxx Insertion Loss Specifications (reference value )



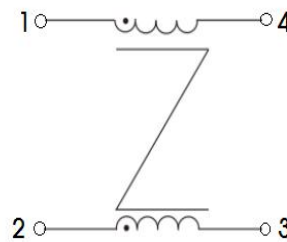
FL2D-A2-xxx Insertion Loss Specifications (reference value )



FL2D-D0-xxx Insertion Loss Specifications (reference value)



Pin Function



Dimensions and Recommended Layout

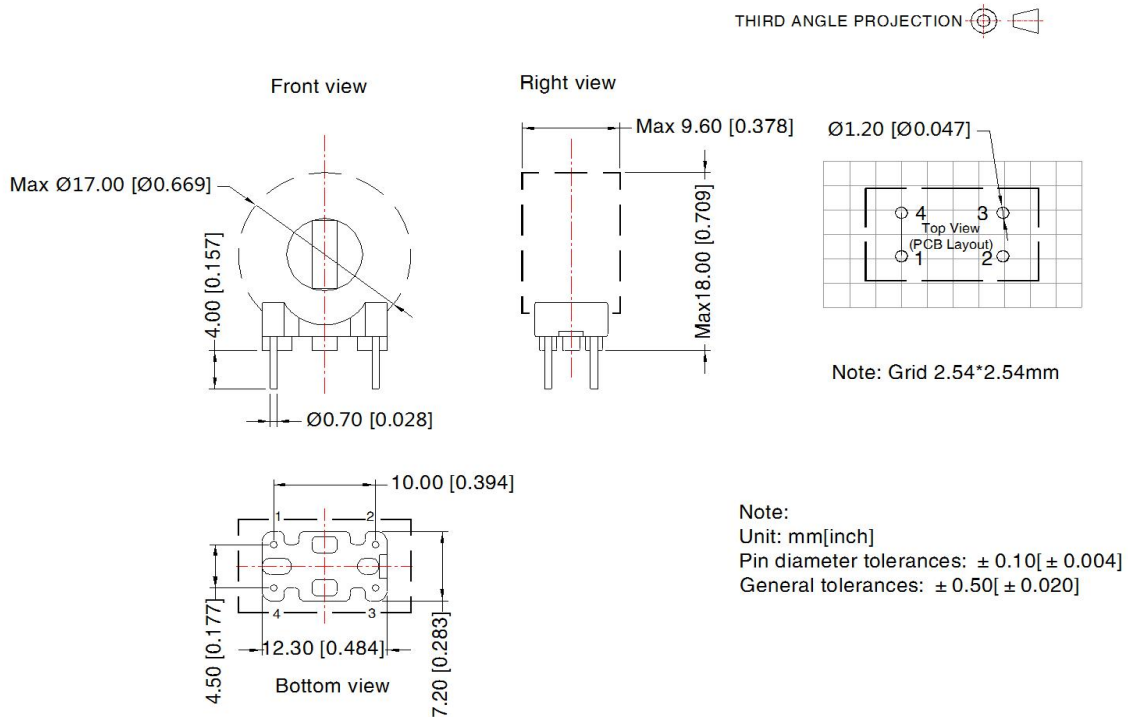




Fig. 1

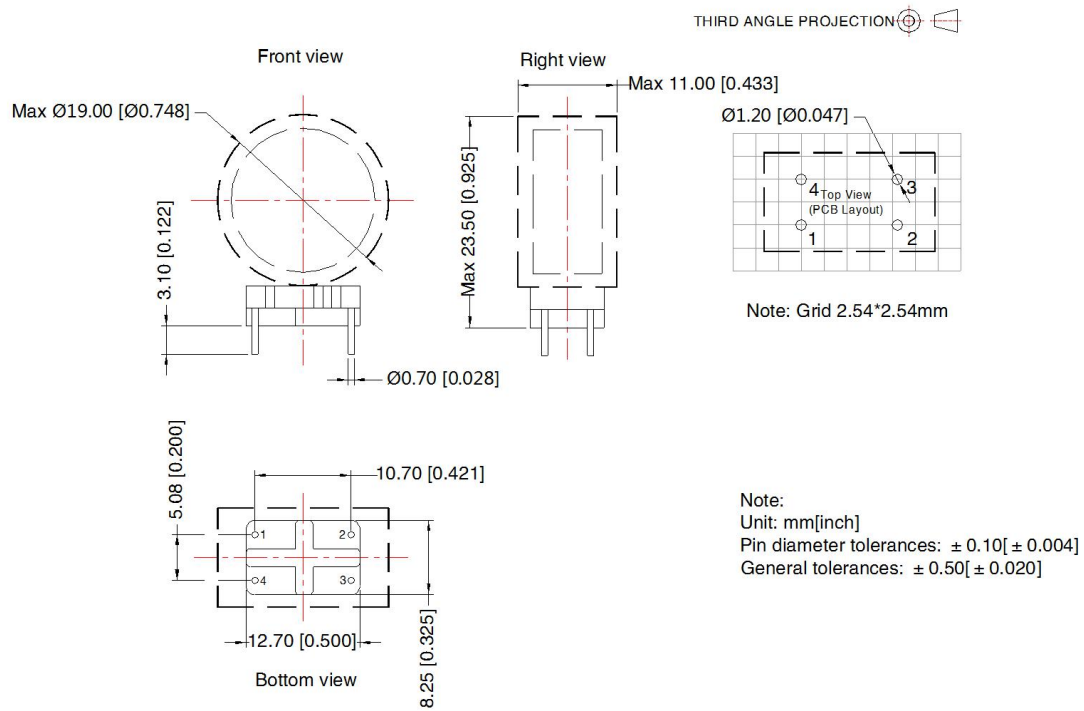


Fig. 2

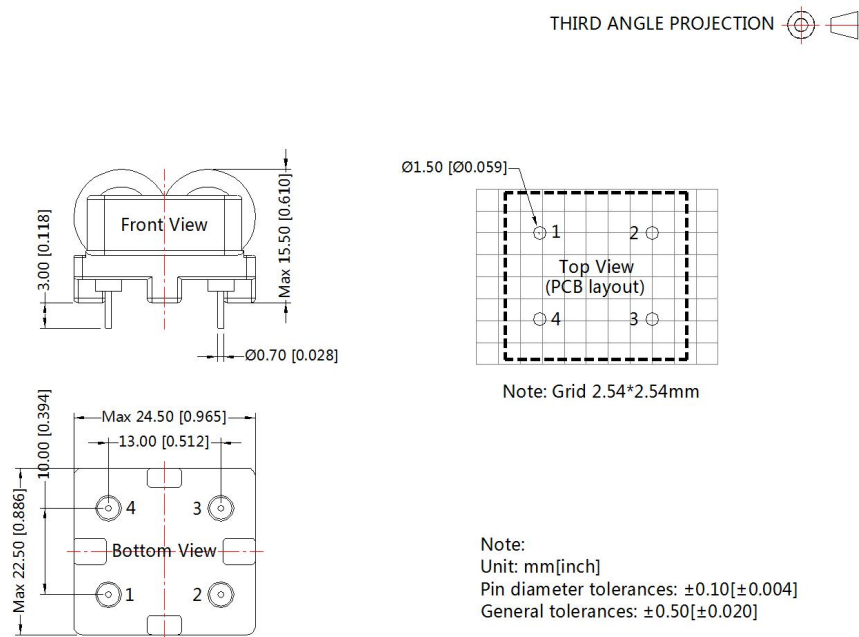


Fig. 3

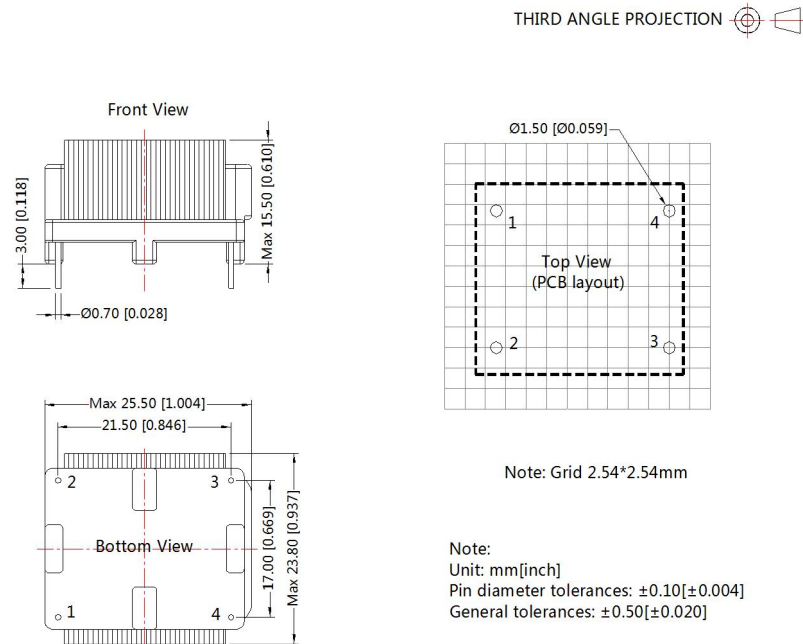


Fig. 4

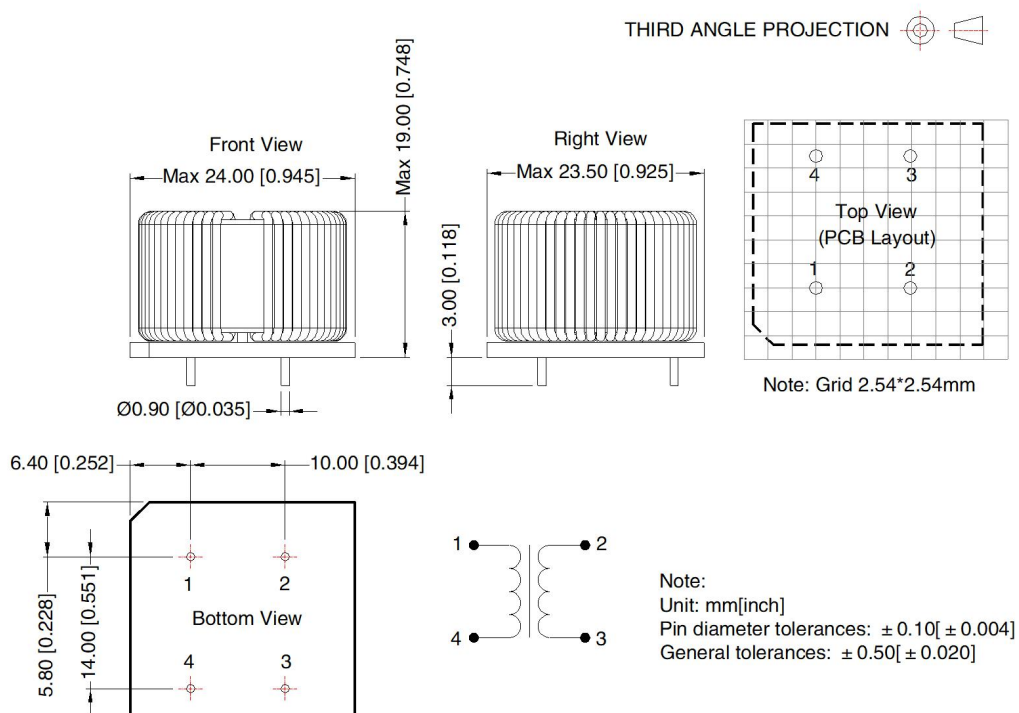


Fig. 5

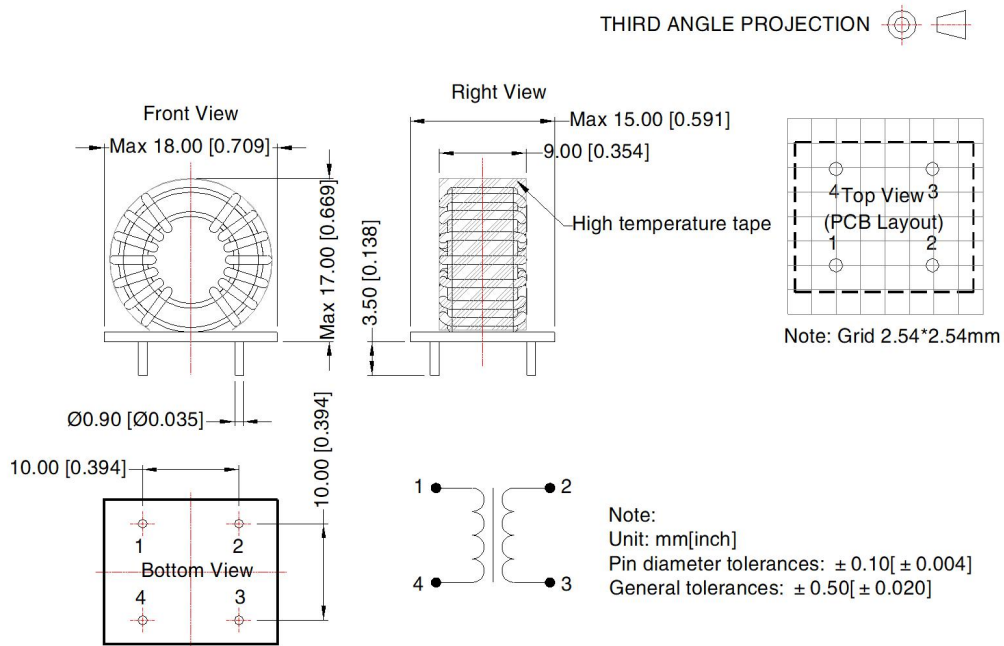


Fig. 6

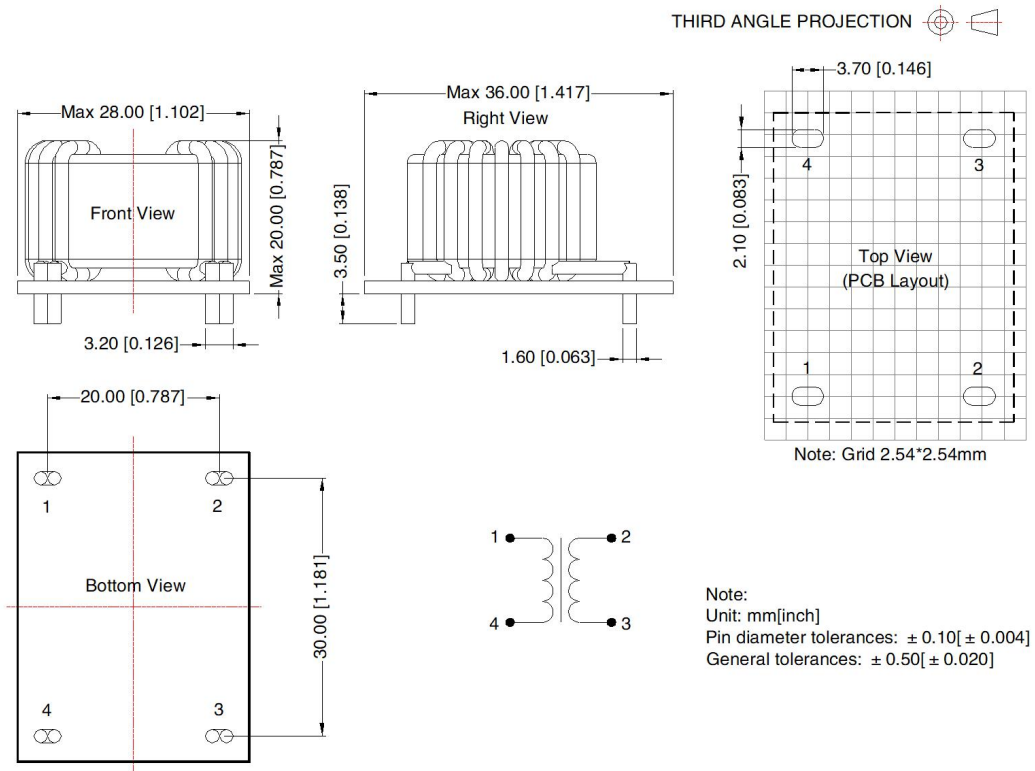


Fig. 7



THIRD ANGLE PROJECTION 

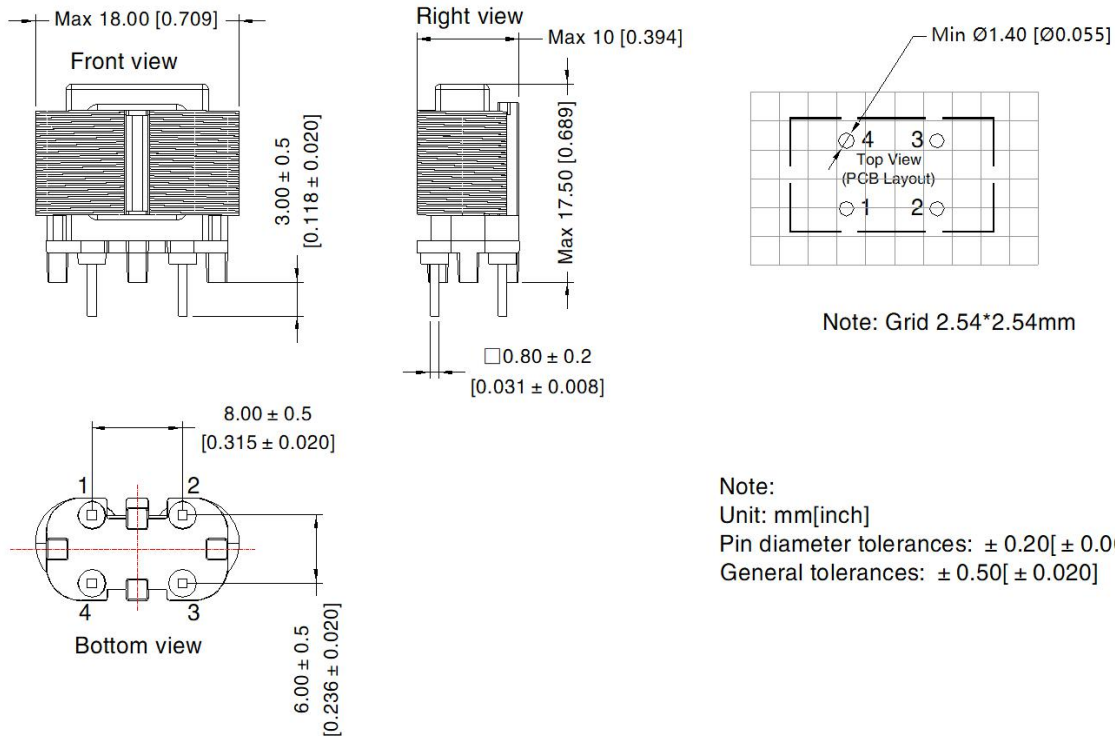


Fig. 8

Note:

1. For additional information on Product Packaging please refer to [www.mornsun-power.com](http://www.mornsun-power.com). Packaging bag number: 58200055 (FL2D-10-682/FL2D-10-822/FL2D-30-103/FL2D-A2-202), 58210146(FL2D-60-402), 58210147(FL2D-60-451), 58220135(FL2D-D0-040), 58220123 (FL2D-10-203) 、 58220018(Others);
2. Unless otherwise specified, data in this data sheet should be tested under the conditions of  $T_a=25^{\circ}\text{C}$ , humidity<75%RH;
3. All index testing methods in this datasheet are based on company corporate standards;
4. The performance indexes of the product models listed in this manual are as above, but some indexes of non-standard model products will exceed the above-mentioned requirements, and please directly contact our technicians for specific information;
5. We can provide product customization service, please contact our technicians directly for specific information;
6. Products are related to laws and regulations: see "Features" ;
7. Our products shall be classified according to ISO14001 and related environmental laws and regulations, and shall be handled by qualified units.

Mornsun Guangzhou Science & Technology Co., Ltd.

Address: No. 5, Kehui St. 1, Kehui Development Center, Science Ave., Guangzhou Science City, Huangpu District, Guangzhou, P. R. China  
Tel: 86-20-38601850 Fax: 86-20-38601272 E-mail: [info@mornsun.cn](mailto:info@mornsun.cn) [www.mornsun-power.com](http://www.mornsun-power.com)