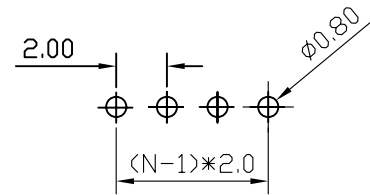
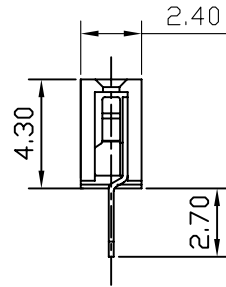
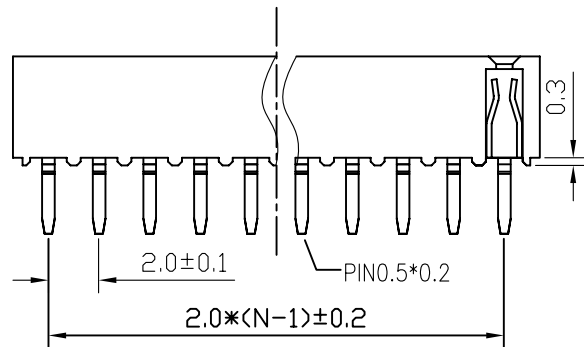
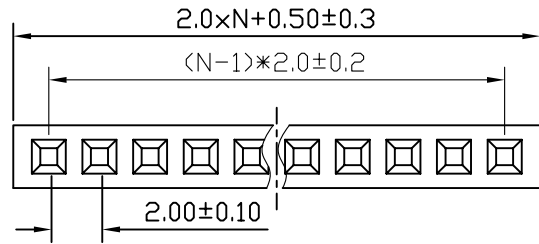


REV.	DESCRIPTION	DRAWN	CHECKED	APPROVED
A	NEW RELEASE	LJH 09/22/05'		

N:NUMBER OF CONTACTS



RECOMMEND PCB LAYOUT  
(TOLERANCE=±0.05)

NOTES:

- ELECTRICAL CHARACTERISTICS:
  - CONTACT RESISTANCE: 20mΩ Max. INITIAL.
  - DIELECTRIC WITHSTANDING VOLTAGE: 500V AC(rms) FOR 1 MINUTE.
  - INSULATION RESISTANCE: 1000MΩ Min.
- ENVIRONMENT CHARACTERISTICS:
  - TEMPERATURE: -40°C~+105°C.
- PART NUMBER: DS1026-01
- PRODUCT NUMBER CODE:

DS1026-01 - X X X X X

- X CONTACTS TYPE
- V:VERTICAL TYPE
- HOUSING COLOR
- B:BLACK
- CONTACT PLATING
- 8: FULL GOLD FLASH
- CONNECTOR TYPE
- S:SOCKET
- No.OF CONTACTS
- 1\*1-1\*X
- SERIES No.
- DS1026-01

GENERAL TOLERANCE		ANGLE TOLERANCE		PROJECTION		TITLE	FEMALE HEADER PITCH 2.0mm TYPE			
X.	±0.60	X.	±5'	UNITS	mm					
.X	±0.38	.X	±3'	SHEET SIZE	A4	SERIES	DS1026-01 SERIES			
.XX	±0.25	.XX	±2'			<b>晨翔电子有限公司</b> <b>CONNFLY CONNFLY ELECTRONIC CO. LTD</b>				
DRAWING TYPE		CUSTOMER								
SCALE		1:1		SHEET					1 OF 1	
DRAWING NO.		C-DS1026-01-XXXXX								

REV.	DESCRIPTION	DRAWN	CHECKED	APPROVED
A	NEW RELEASE	YCH 06/04/07'		

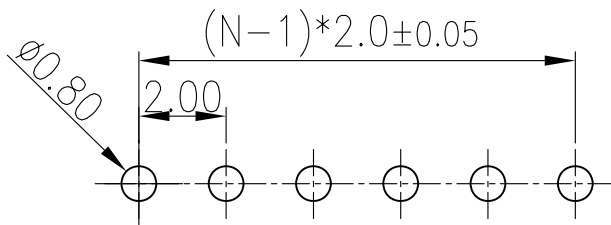
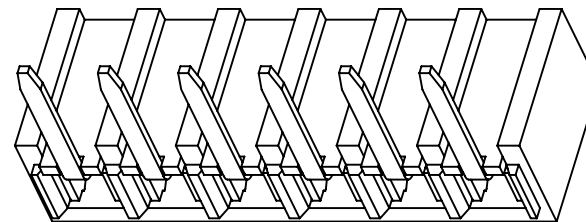
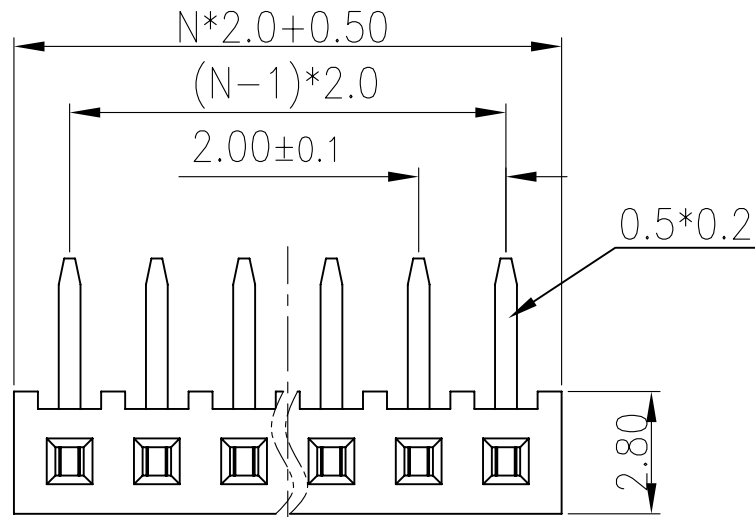
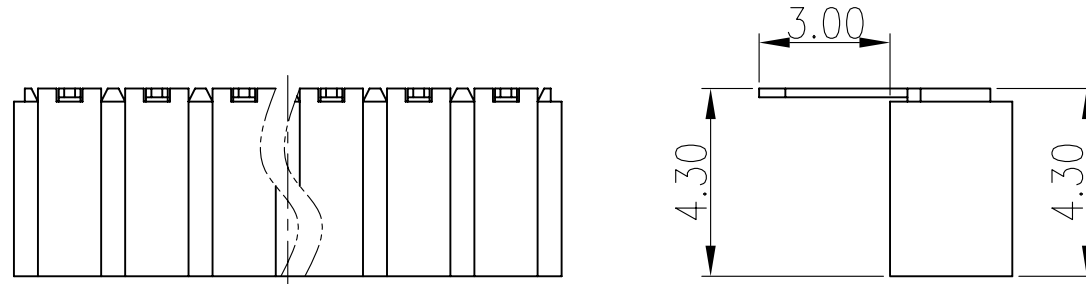
NOTES:

- ELECTRICAL CHARACTERISTICS:
  - CONTACT RESISTANCE: 20mΩ Max. INITIAL.
  - DIELECTRIC WITHSTANDING VOLTAGE: 500V AC(rms) FOR 1 MINUTE.
  - INSULATION RESISTANCE: 1000MΩ Min.
- ENVIRONMENT CHARACTERISTICS:
  - TEMPERATURE: -40°C~+105°C.

3. PRODUCT NUMBER CODE:

DS1026-02 - X X X X X

- X CONTACTS TYPE
- R:RIGHT ANGLE
- HOUSING COLOR
- B:BLACK
- CONTACT PLATING
- 8: FULL GOLD FLASH
- CONNECTOR TYPE
- S:SOCKET
- No.OF CONTACTS
- 1\*1-1\*40
- SERIES No.
- DS1026-02



Recommend PCB layout

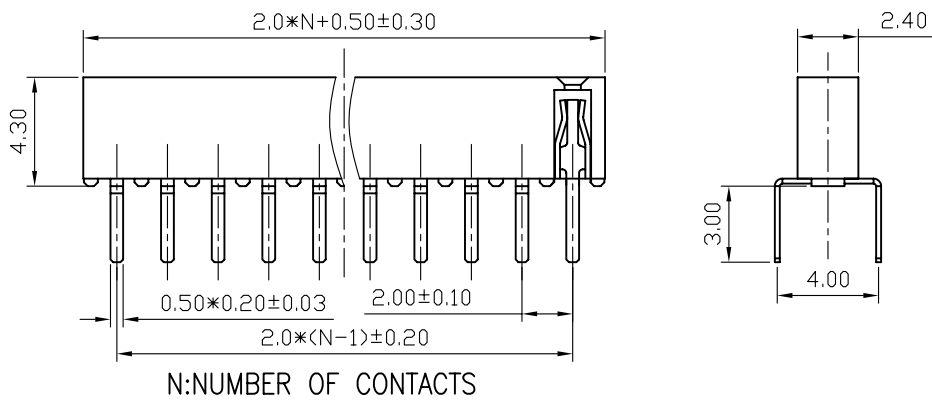
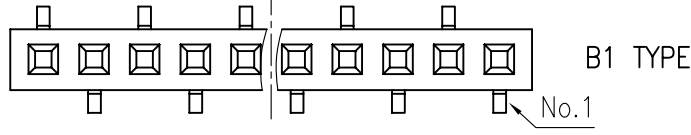
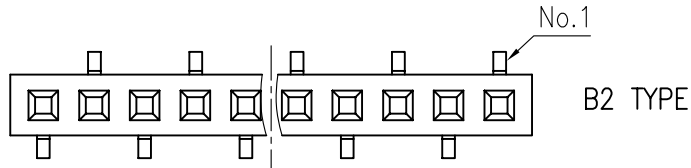
GENERAL TOLERANCE	ANGLE TOLERANCE
X. ±0.60	X. ±5°
.X ±0.38	.X ±3°
.XX ±0.25	.XX ±2°

PROJECTION	TITLE
	FEMALE HEADER PITCH 2.00mmTYPE
UNITS	mm
SHEET SIZE	A4
SERIES	DS1026-02 SERIES

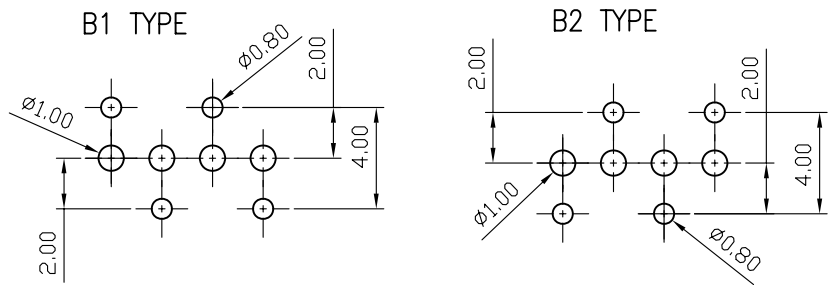
DRAWING TYPE	CUSTOMER
SCALE	1:1 SHEET 1 OF 1
DRAWING NO.	C-DS1026-02-XXXXX-A

晨翔电子有限公司  
**CONNFLY CONNFLY ELECTRONIC CO. LTD**

REV.	DESCRIPTION	DRAWN	CHECKED	APPROVED
A	NEW RELEASE	LJH 05/08/05'		



N:NUMBER OF CONTACTS



RECOMMEND PCB LAYOUT(TOLERANCE=±0.05)

NOTES:

- ELECTRICAL CHARACTERISTICS:
  - CONTACT RESISTANCE: 20mΩ Max. INITIAL.
  - DIELECTRIC WITHSTANDING VOLTAGE: 500V AC(rms) FOR 1 MINUTE.
  - INSULATION RESISTANCE: 1000MΩ Min.

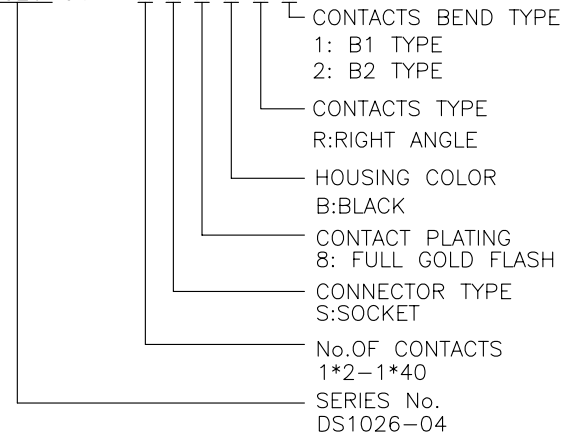
2. ENVIRONMENT CHARACTERISTICS:

- TEMPERATURE: -40°C~+105°C.

3. PART NUMBER: DS1026-04

4. PRODUCT NUMBER CODE:


DS1026-04 - X X X X X X



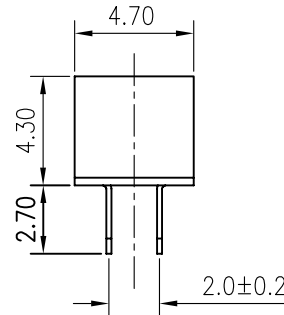
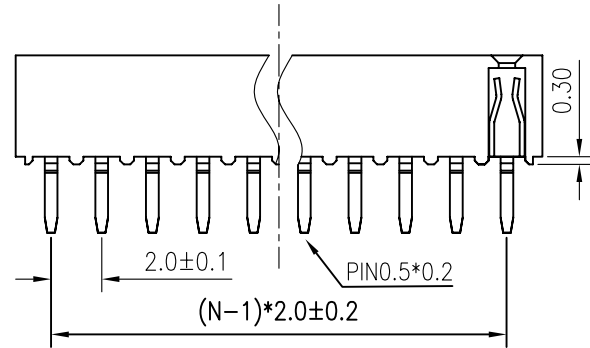
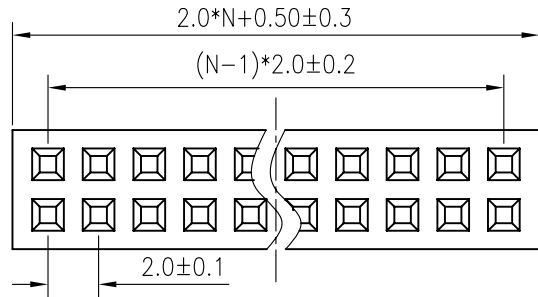
GENERAL TOLERANCE		ANGLE TOLERANCE	
X.	±0.60	X.	±5'
.X	±0.38	.X	±3'
.XX	±0.25	.XX	±2'

PROJECTION	TITLE	SINGLE ROW BOTTOM ENTRY TYPE	
UNITS	mm		
SHEET SIZE	A4	SERIES	DS1026-04 SERIES

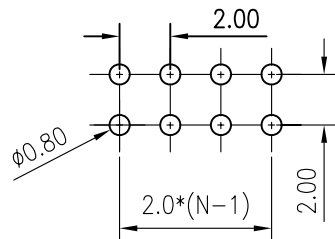
DRAWING TYPE	CUSTOMER		
SCALE	1:1	SHEET	1 OF 1
DRAWING NO.	C-DS1026-04-XXXXXX		


**晨翔电子有限公司**  
**CONNFLY CONNFLY ELECTRONIC CO. LTD**

REV.	DESCRIPTION	DRAWN	CHECKED	APPROVED
A	NEW RELEASE	LJH 09/22/05'		LJC 05/09/06



N: NUMBER OF CONTACTS/2



RECOMMEND PCB LAYOUT(TOLERANCE=±0.05)

NOTES:

- ELECTRICAL CHARACTERISTICS:
  - CONTACT RESISTANCE: 20mΩ Max. INITIAL.
  - DIELECTRIC WITHSTANDING VOLTAGE: 500V AC(rms) FOR 1 MINUTE.
  - INSULATION RESISTANCE: 1000MΩ Min.
- ENVIRONMENT CHARACTERISTICS:
  - OPERATING TEMPERATURE: 0°C~+85°C.
  - STORAGE TEMPERATURE: -20°C~+70°C.

3. PART NUMBER: DS1026-05

4. PRODUCT NUMBER CODE:

DS1026-05 - X X X X X

- CONTACTS TYPE  
V:VERTICAL TYPE
- HOUSING COLOR  
B:BLACK
- CONTACT PLATING  
8: FULL GOLD FLASH
- CONNECTOR TYPE  
S:SOCKET
- No.OF CONTACTS  
2\*2-2\*X
- SERIES No.  
DS1026-05

GENERAL TOLERANCE	ANGLE TOLERANCE	PROJECTION		TITLE	FEMALE HEADER PITCH 2.0mm TYPE
X. ±0.60	X. ±5'	UNITS	mm		
.X ±0.38	.X ±3'	SHEET SIZE	A4	SERIES	DS1026-05 SERIES
.XX ±0.25	.XX ±2'				

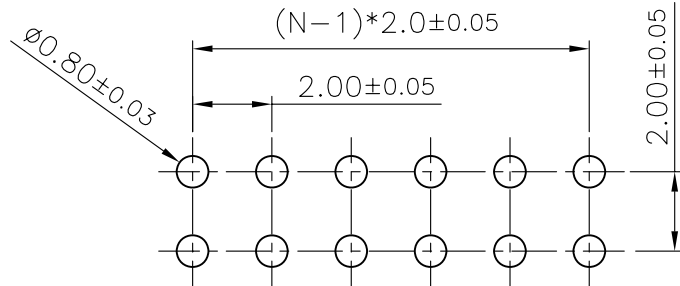
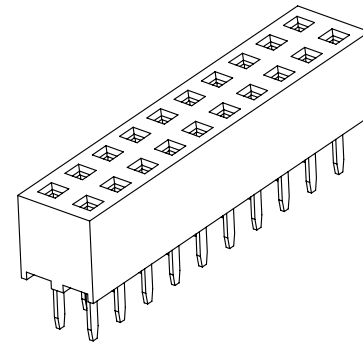
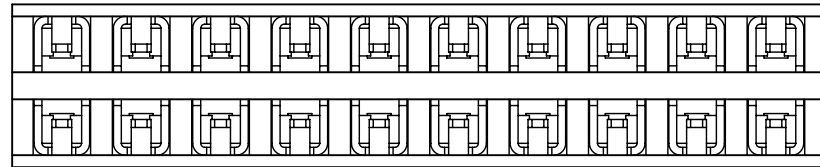
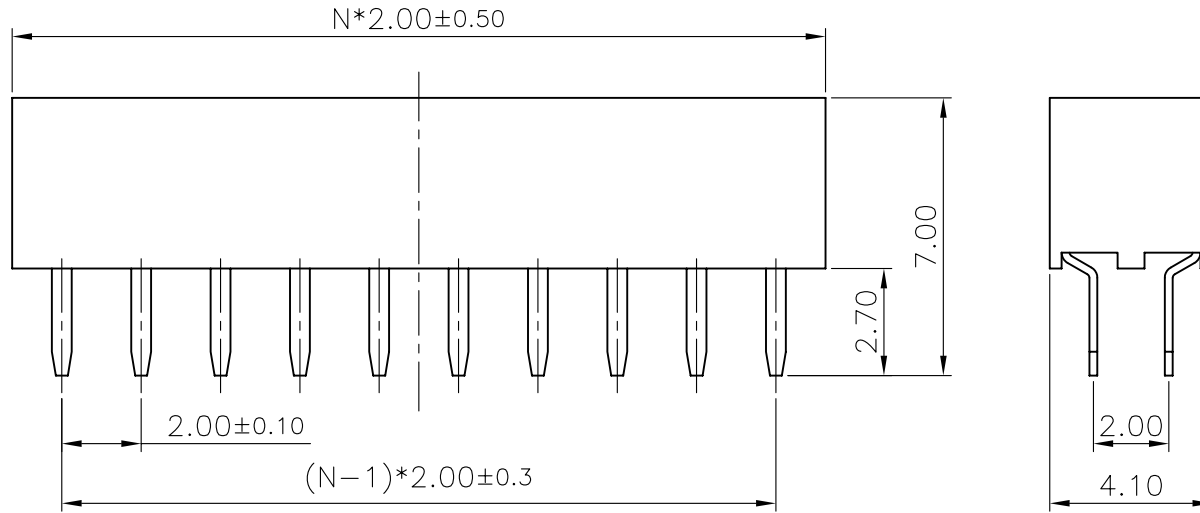
2	CONTACT		COPPER ALLOY	GOLD FLASH	DRAWING TYPE	CUSTOMER	
1	HOUSING		THERMOPLASTIC	UL 94 V-0	SCALE	1:1	SHEET 1 OF 1
ITEM	PART NAME	PART NO.	MATERILAS	FINISHED	DRAWING NO.	C-DS1026-05-XXXXX	

**晨翔电子有限公司**  
**CONNFLY CONNFLY ELECTRONIC CO. LTD**

REV.	DESCRIPTION	DRAWN	CHECKED	APPROVED
A	NEW RELEASE	YCH 10/15/07'		

NOTES:

- ELECTRICAL CHARACTERISTICS:
  - CONTACT RESISTANCE: 20mΩ Max. INITIAL.
  - DIELECTRIC WITHSTANDING VOLTAGE: 500V AC(rms) FOR 1 MINUTE.
  - INSULATION RESISTANCE: 1000MΩ Min.
- ENVIRONMENT CHARACTERISTICS:
  - TEMPERATURE: -40°C~+105°C.
- PRODUCT NUMBER CODE:  
 DS1026-06 - X X X X X  
 CONTACTS TYPE V:VERTICAL  
 HOUSING COLOR B:BLACK  
 CONTACT PLATING 8: FULL GOLD FLASH  
 CONNECTOR TYPE S:SOCKET  
 No.OF CONTACTS 2\*2-2\*40  
 SERIES No. DS1026-06



Recommend PCB layout

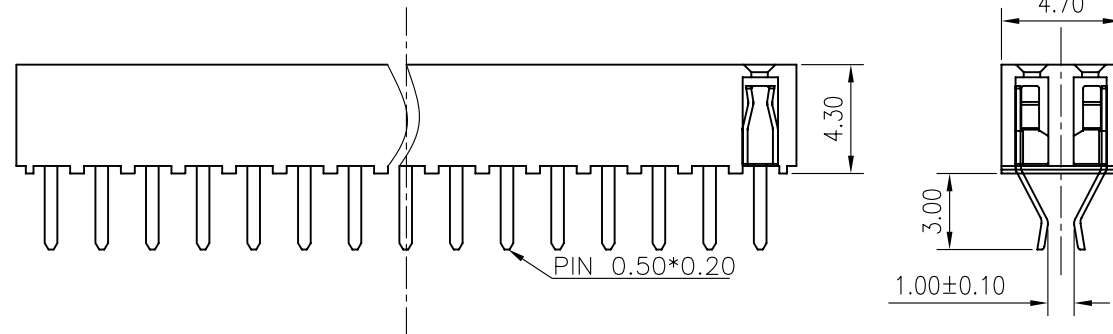
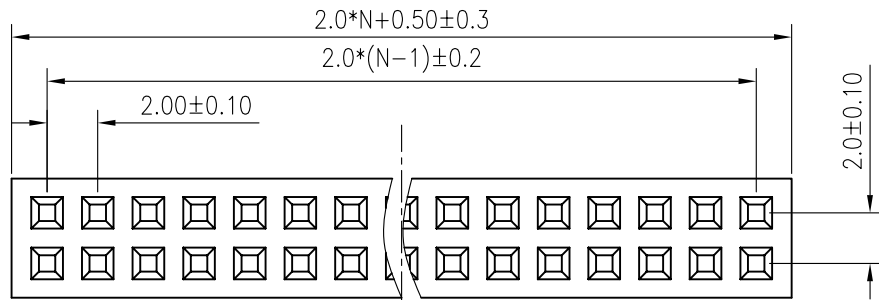
GENERAL TOLERANCE		ANGLE TOLERANCE	
X.	±0.60	X.	±5'
.X	±0.38	.X	±3'
.XX	±0.25	.XX	±2'

DRAWING TYPE	CUSTOMER		
SCALE	1:1	SHEET	1 OF 1
DRAWING NO.	C-DS1026-06-XXXXX-A		

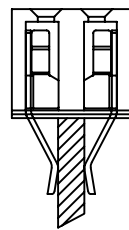
PROJECTION	TITLE
	FEMALE HEADER PITCH 2.00mmTYPE
UNITS	mm
SHEET SIZE	A4
SERIES	DS1026-06 SERIES

晨翔电子有限公司  
**CONNFLY CONNFLY ELECTRONIC CO. LTD**

REV.	DESCRIPTION	DRAWN	CHECKED	APPROVED
A	NEW RELEASE	LJH 06/22/05'		



N: NUMBER OF CONTACTS/2



1.20mm PCB

NOTES:

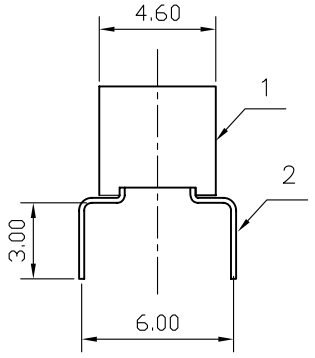
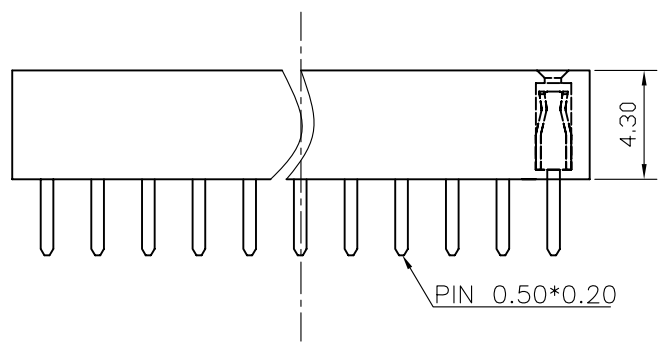
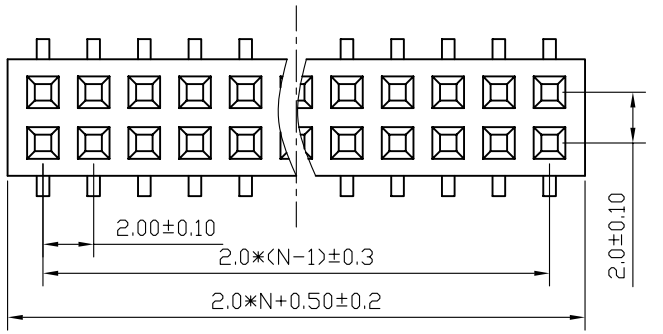
- ELECTRICAL CHARACTERISTICS:
  - CONTACT RESISTANCE: 20mΩ Max. INITIAL.
  - DIELECTRIC WITHSTANDING VOLTAGE: 500V AC(rms) FOR 1 MINUTE.
  - INSULATION RESISTANCE: 1000MΩ Min.
- ENVIRONMENT CHARACTERISTICS:
  - OPERATING TEMPERATURE: -40°C~+105°C.
- PART NUMBER: DS1026-10
- PRODUCT NUMBER CODE:  
DS1026-10 - X X X X X
  - CONTACTS TYPE  
V:VERTICAL
  - HOUSING COLOR  
B:BLACK
  - CONTACT PLATING  
8: FULL GOLD FLASH
  - CONNECTOR TYPE  
S:SOCKET
  - No.OF CONTACTS  
2\*1-2\*X
  - SERIES No.  
DS1026-10

GENERAL TOLERANCE		ANGLE TOLERANCE		PROJECTION		TITLE	STRADDLE TYPE DUAL ROW	
X.	±0.60	X.	±5'	UNITS	mm			
.X	±0.38	.X	±3'	SHEET SIZE	A4	SERIES	DS1026-10 SERIES	
.XX	±0.25	.XX	±2'	<b>晨翔电子有限公司</b> <b>CONNFLY CONNFLY ELECTRONIC CO. LTD</b>				
DRAWING TYPE		CUSTOMER						
SCALE	1:1	SHEET	1 OF 1					
DRAWING NO.		C-DS1026-10-XXXXX						

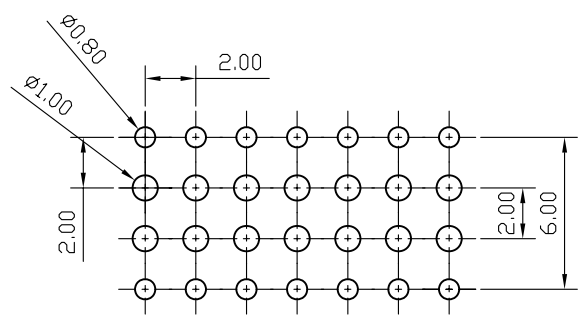
REV.	DESCRIPTION	DRAWN	CHECKED	APPROVED
A	NEW RELEASE	LJH 06/22/05'		

NOTES:

- ELECTRICAL CHARACTERISTICS:
  - CONTACT RESISTANCE: 20mΩ Max. INITIAL.
  - DIELECTRIC WITHSTANDING VOLTAGE: 500V AC(rms) FOR 1 MINUTE.
  - INSULATION RESISTANCE: 1000MΩ Min.
- ENVIRONMENT CHARACTERISTICS:
  - OPERATING TEMPERATURE: 0°C~+85°C.
  - STORAGE TEMPERATURE: -20°C~+70°C.
- PART NUMBER: DS1026-11
- PRODUCT NUMBER CODE:  
 DS1026-11 - X X X X X  
 CONTACTS TYPE  
 R:RIGHT ANGLE  
 HOUSING COLOR  
 B:BLACK  
 CONTACT PLATING  
 8: FULL GOLD FLASH  
 CONNECTOR TYPE  
 S:SOCKET  
 No.OF CONTACTS  
 2\*1-2\*X  
 SERIES No.  
 DS1026-11



N: HALF OF PIN POSITIONS



RECOMMEND PCB LAYOUT  
(TOLERANCE=±0.05)

GENERAL TOLERANCE		ANGLE TOLERANCE	
X.	±0.60	X.	±5'
.X	±0.38	.X	±3'
.XX	±0.25	.XX	±2'

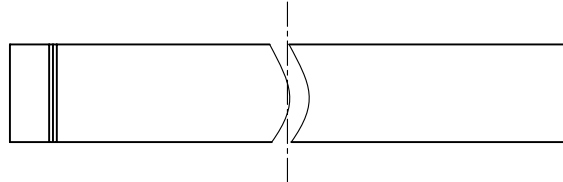
PROJECTION		TITLE	BOTTOM ENTRY TYPE DUAL ROW
UNITS	mm	SHEET	1 OF 1
SHEET SIZE	A4	SERIES	DS1026-11 SERIES

2	CONTACT		COPPER ALLOY	GOLD PLATED	DRAWING TYPE	CUSTOMER		
1	HOUSING		THERMOPLASTIC	UL 94 V-0	SCALE	1:1	SHEET	1 OF 1
ITEM	PART NAME	PART NO.	MATERILAS	FINISHED	DRAWING NO.	C-DS1026-11-XXXXX		

晨翔电子有限公司  
CONNFLY CONNFLY ELECTRONIC CO. LTD

REV.	DESCRIPTION	DRAWN	CHECKED	APPROVED
A	NEW RELEASE	LJH 06/22/05'		

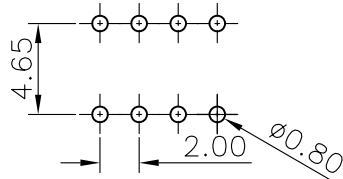
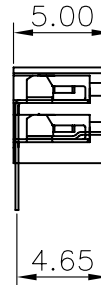
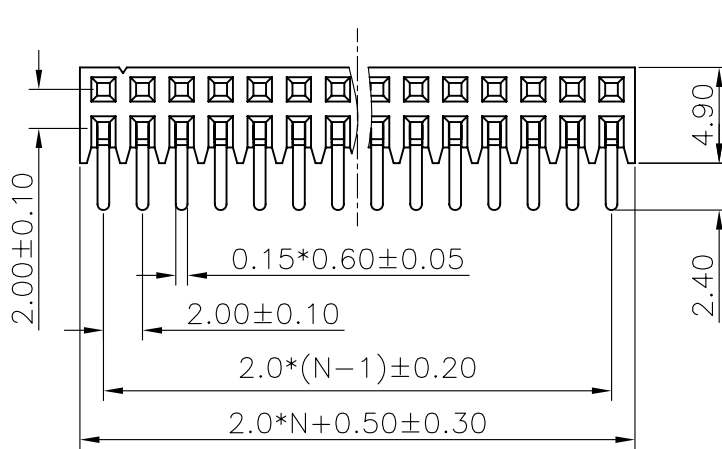
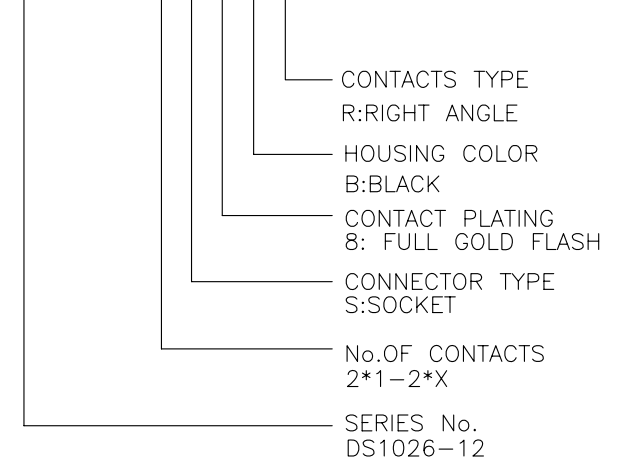
N: NUMBER OF CONTACTS/2  
 B: CUSTOMER LENGTH AVAILABLE



NOTES:

- ELECTRICAL CHARACTERISTICS:
  - CONTACT RESISTANCE: 20mΩ Max. INITIAL.
  - DIELECTRIC WITHSTANDING VOLTAGE: 500V AC(rms) FOR 1 MINUTE.
  - INSULATION RESISTANCE: 1000MΩ Min.
- ENVIRONMENT CHARACTERISTICS:
  - TEMPERATURE: -40°C~+105°C.
- PART NUMBER: DS1026-12
- PRODUCT NUMBER CODE:

DS1026-12 - X X X X X

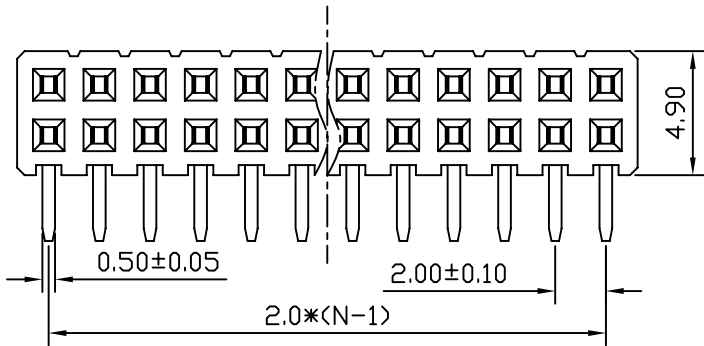
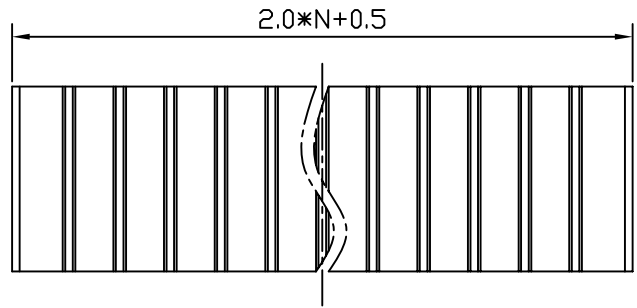


RECOMMEND PCB LAYOUT  
 (TOLERANCE=±0.05)

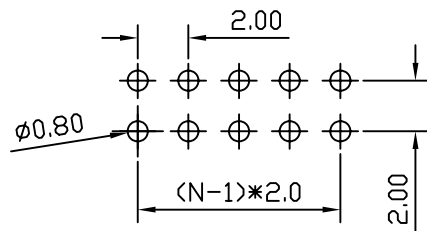
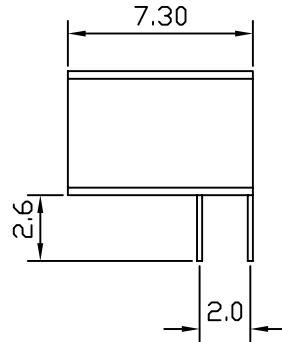
GENERAL TOLERANCE		ANGLE TOLERANCE		PROJECTION		TITLE	SIDE ENTRY RIGHT ANGLE				
X.	±0.60	X.	±5°	UNITS	mm						
.X	±0.38	.X	±3°	SHEET SIZE	A4	SERIES	DS1026-12 SERIES				
.XX	±0.25	.XX	±2°								
DRAWING TYPE		CUSTOMER			 <b>晨翔电子有限公司</b> <b>CONNFLY CONNFLY ELECTRONIC CO. LTD</b>						
SCALE		1:1	SHEET							1 OF 1	
DRAWING NO.		C-DS1026-12-XXXXX									



REV.	DESCRIPTION	DRAWN	CHECKED	APPROVED
A	NEW RELEASE	LJH 06/22/05'		



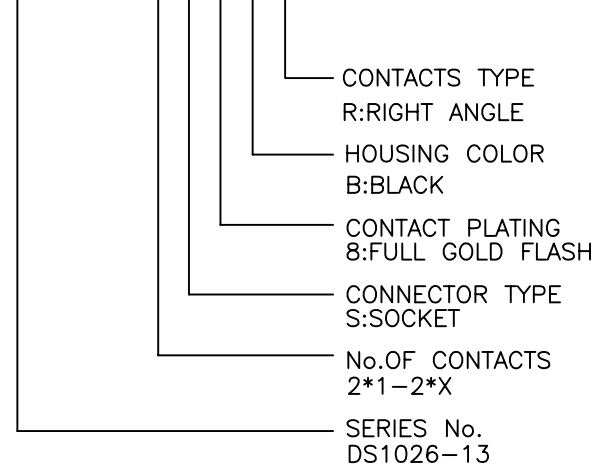
N: HALF OF PIN POSITIONS



RECOMMEND PCB LAYOUT  
(TOLERANCE=±0.05)

NOTES:

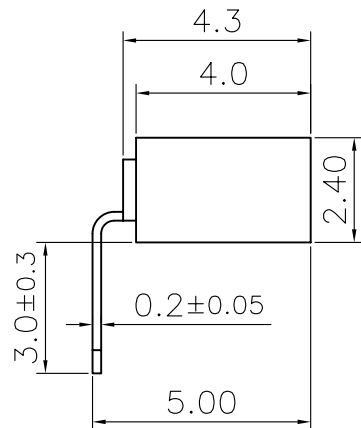
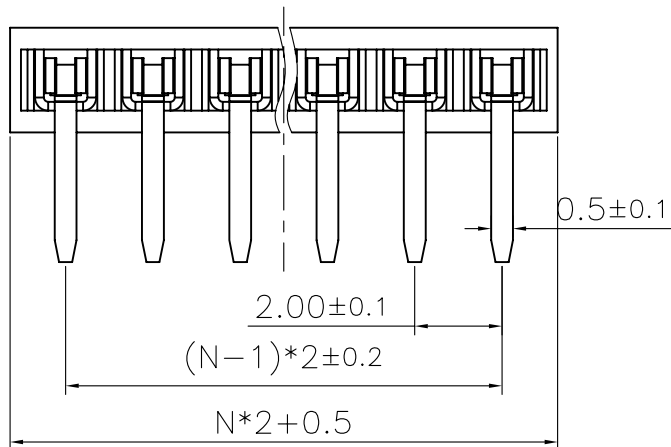
1. ELECTRICAL CHARACTERISTICS:
  - 1.1 CONTACT RESISTANCE: 20mΩ Max. INITIAL.
  - 1.2 DIELECTRIC WITHSTANDING VOLTAGE: 500V AC(rms) FOR 1 MINUTE.
  - 1.3 INSULATION RESISTANCE: 1000MΩ Min.
2. ENVIRONMENT CHARACTERISTICS:
  - 2.1 EMPERATURE: -40°C~+105°C.
4. PART NUMBER: DS1026-13
5. PRODUCT NUMBER CODE:  
DS1026-13 - X X X X X



GENERAL TOLERANCE		ANGLE TOLERANCE		PROJECTION		TITLE	SIDE ENTRY RIGHT ANGLE	
X.	±0.60	X.	±5'	UNITS	mm			
.X	±0.38	.X	±3'	SHEET SIZE	A4	SERIES	DS1026-13 SERIES	
.XX	±0.25	.XX	±2'	<b>晨翔电子有限公司</b> <b>CONNFLY CONNFLY ELECTRONIC CO. LTD</b>				
DRAWING TYPE		CUSTOMER						
SCALE	1:1	SHEET	1 OF 1					
DRAWING NO.		C-DS1026-13-XXXXX						

REV.	DESCRIPTION	DRAWN	CHECKED	APPROVED
A	NEW RELEASE	YCH 06/04/07'		

N=NUMBER OF CONTACTS

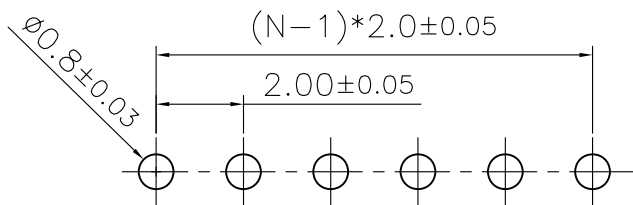
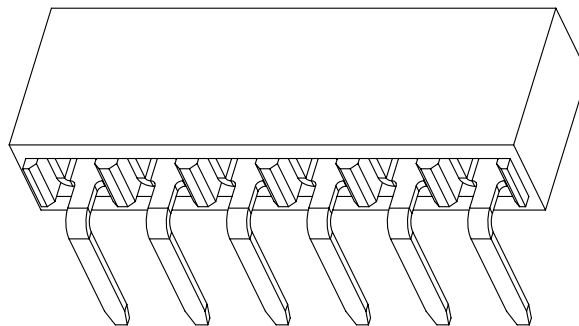
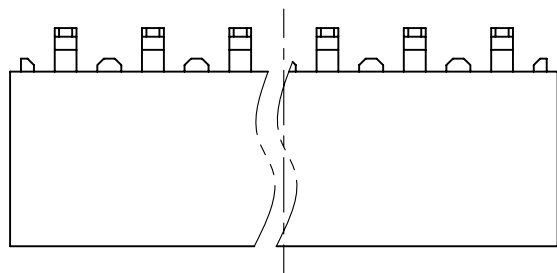


NOTES:

- ELECTRICAL CHARACTERISTICS:
  - CONTACT RESISTANCE: 20mΩ Max. INITIAL.
  - DIELECTRIC WITHSTANDING VOLTAGE: 500V AC(rms) FOR 1 MINUTE.
  - INSULATION RESISTANCE: 1000MΩ Min.
- ENVIRONMENT CHARACTERISTICS:
  - TEMPERATURE: -40°C~+105°C.
- PART NUMBER: DS1026-15
- PRODUCT NUMBER CODE:

DS1026-15 - X X X X X

- CONTACTS TYPE  
R:RIGHT ANGLE
- HOUSING COLOR  
B:BLACK
- CONTACT PLATING  
8: FULL GOLD FLASH
- CONNECTOR TYPE  
S:SOCKET
- No.OF CONTACTS  
1\*1-1\*40
- SERIES No.  
DS1026-15



Recommend PCB layout

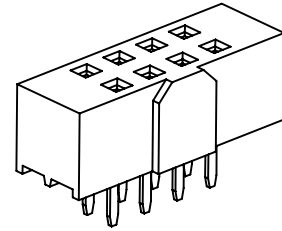
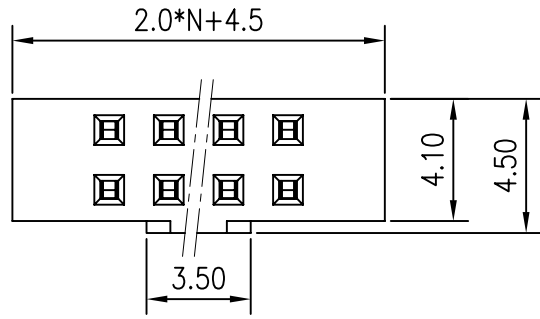
GENERAL TOLERANCE	ANGLE TOLERANCE
X. ±0.60	X. ±5°
.X ±0.38	.X ±3°
.XX ±0.25	.XX ±2°

PROJECTION	TITLE
UNITS mm	FEMALE HEADER PITCH 2.00mmTYPE
SHEET SIZE A4	SERIES DS1026-15 SERIES

DRAWING TYPE	CUSTOMRE
SCALE 1:1	SHEET 1 OF 1
DRAWING NO.	DS1026-15-XXXXX-A

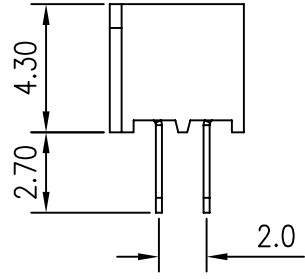
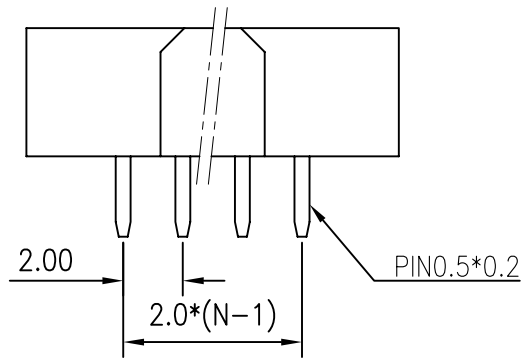
晨翔电子有限公司  
CONNFLY CONNFLY ELECTRONIC CO. LTD

REV.	DESCRIPTION	DRAWN	CHECKED	APPROVED
A	NEW RELEASE	LJH 09/22/05'		LJC 05/09/06

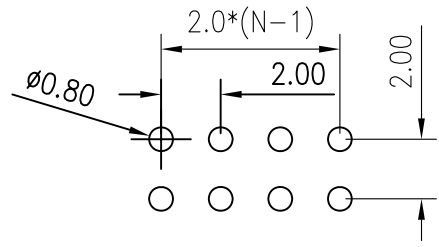


NOTES:

- ELECTRICAL CHARACTERISTICS:
  - CONTACT RESISTANCE: 20mΩ Max. INITIAL.
  - DIELECTRIC WITHSTANDING VOLTAGE: 500V AC(rms) FOR 1 MINUTE.
  - INSULATION RESISTANCE: 1000MΩ Min.
- ENVIRONMENT CHARACTERISTICS:
  - TEMPERATURE: -40°C~+105°C.
- PART NUMBER: DS1026-17
- PRODUCT NUMBER CODE: DS1026-17 - X X X X X



- CONTACTS TYPE  
V:VERTICAL TYPE
- HOUSING COLOR  
B:BLACK
- CONTACT PLATING  
8: FULL GOLD FLASH
- CONNECTOR TYPE  
S:SOCKET
- No.OF CONTACTS  
2\*4-2\*32
- SERIES No.  
DS1026-17



RECOMMEND PCB LAYOUT  
(TOLERANCE=±0.05)

GENERAL TOLERANCE		ANGLE TOLERANCE		PROJECTION		TITLE	FEMALE HEADER PITCH 2.0mm W/ Polarization TYPE		
X.	±0.60	X.	±5'	UNITS	mm				
.X	±0.38	.X	±3'	SHEET SIZE	A4	SERIES	DS1026-17 SERIES		
.XX	±0.25	.XX	±2'						
DRAWING TYPE		CUSTOMER			晨翔电子有限公司 <b>CONNFLY CONNFLY ELECTRONIC CO. LTD</b>				
SCALE		1:1	SHEET 1 OF 1						
DRAWING NO.		C-DS1026-17-XXXXX							