

3.3Vdc HCMOS SMD Crystal Clock Oscillator



7.0 x 5.08 x 1.8 mm

ASV SERIES

ESD Sensitive

RoHS/RoHS II compliant

Moisture Sensitivity Level (MSL) – This product is Hermetically Sealed and not Moisture Sensitive - MSL = N/A: Not Applicable

FEATURES:

- HCMOS, 3.3Vdc, 2.5Vdc, & 1.8Vdc options
- Suitable for RoHS reflow
- Seam sealed package assures high reliability
- High output drive capability (up to 50pF)

APPLICATIONS:

- Clock signaling for μ Processors, PC Motherboards & Graphic Cards

STANDARD SPECIFICATIONS:

Parameters	Minimum	Typical	Maximum	Units	Notes
Frequency Range	0.312		200	MHz	
Operating Temperature	-10		+70	°C	See options
Storage Temperature	-55		+125	°C	
Overall Frequency Stability	-100		+100	ppm	See options
Supply Voltage (Vdd)	+2.97	3.3	+3.63	V	See options
Supply Current (Idd)		2.0	10.0	mA	0.312 ~ 14.9 MHz
		3.6	15.0		15.0 ~ 29.9 MHz
		5.6	20.0		30.0 ~ 39.9 MHz
		7.2	25.0		40.0 ~ 49.9 MHz
		13.3	30.0		50.0 ~ 59.9 MHz
		19.0	35.0		60.0 ~ 79.9MHz
		20.2	45.0		80.0 ~ 99.9 MHz
		23.7	50.0		100.0 ~ 125.0MHz
		27.2	65.0		125.1 ~ 165 MHz
Symmetry @ 1/2Vdd	40	50	60	%	See options
Rise and Fall Time (Tr/Tf)		3.0	5.0	ns	0.312 ~ 14.9 MHz
		2.8	4.0		15.0 ~ 29.9 MHz
		2.6	4.0		30.0 ~ 39.9 MHz
		2.4	4.0		40.0 ~ 49.9 MHz
		2.2	4.0		50.0 ~ 59.9 MHz
		2.2	4.0		60.0 ~ 79.9MHz
		2.0	4.0		80.0 ~ 99.9 MHz
		1.8	4.0		100.0 ~ 125.0MHz
		1.5	4.0		125.1 ~ 165 MHz
Output Load			15	pF	See options
Output Voltage	V _{OH}	0.9 x Vdd		V	
	V _{OL}		0.4	V	

3.3Vdc HCMOS SMD Crystal Clock Oscillator



7.0 x 5.08 x 1.8 mm

ASV SERIES



RoHS/RoHS II compliant

(Continued)

Parameters	Minimum	Typical	Maximum	Units	Notes
Start-up Time		0.4	4.0	ms	0.312 ~ 14.9 MHz
		0.4	4.0		15.0 ~ 29.9 MHz
		2.0	4.0		30.0 ~ 39.9 MHz
		1.5	4.0		40.0 ~ 49.9 MHz
		2.9	5.0		50.0 ~ 59.9 MHz
		1.5	5.0		60.0 ~ 79.9MHz
		1.3	5.0		80.0 ~ 99.9 MHz
		1.8	5.0		100.0 ~ 125.0MHz
		2.7	5.0		125.1 ~ 165 MHz
Tri-state function	"1" ($V_{IH} \geq 0.7 \cdot V_{DD}$) or Open: Oscillation "0" ($V_{IL} < 0.3 \cdot V_{DD}$): Hi Z				
Period Jitter One Sigma (RMS):		2.5		ps	0.312 ~ 14.9 MHz
		3.2			15.0 ~ 29.9 MHz
		3.2			30.0 ~ 39.9 MHz
		3.2			40.0 ~ 49.9 MHz
		3.2			50.0 ~ 59.9 MHz
		3.2			60.0 ~ 79.9MHz
		3.0			80.0 ~ 99.9 MHz
		2.9			100.0 ~ 125.0MHz
		2.9			125.1 ~ 165 MHz
Aging at 25°C (first year)	-5		+5	ppm	
Disable Current			10	uA	
Enable Time		3.5	5	ms	
Disable Time			100	ns	

3.3Vdc HCMOS SMD Crystal Clock Oscillator



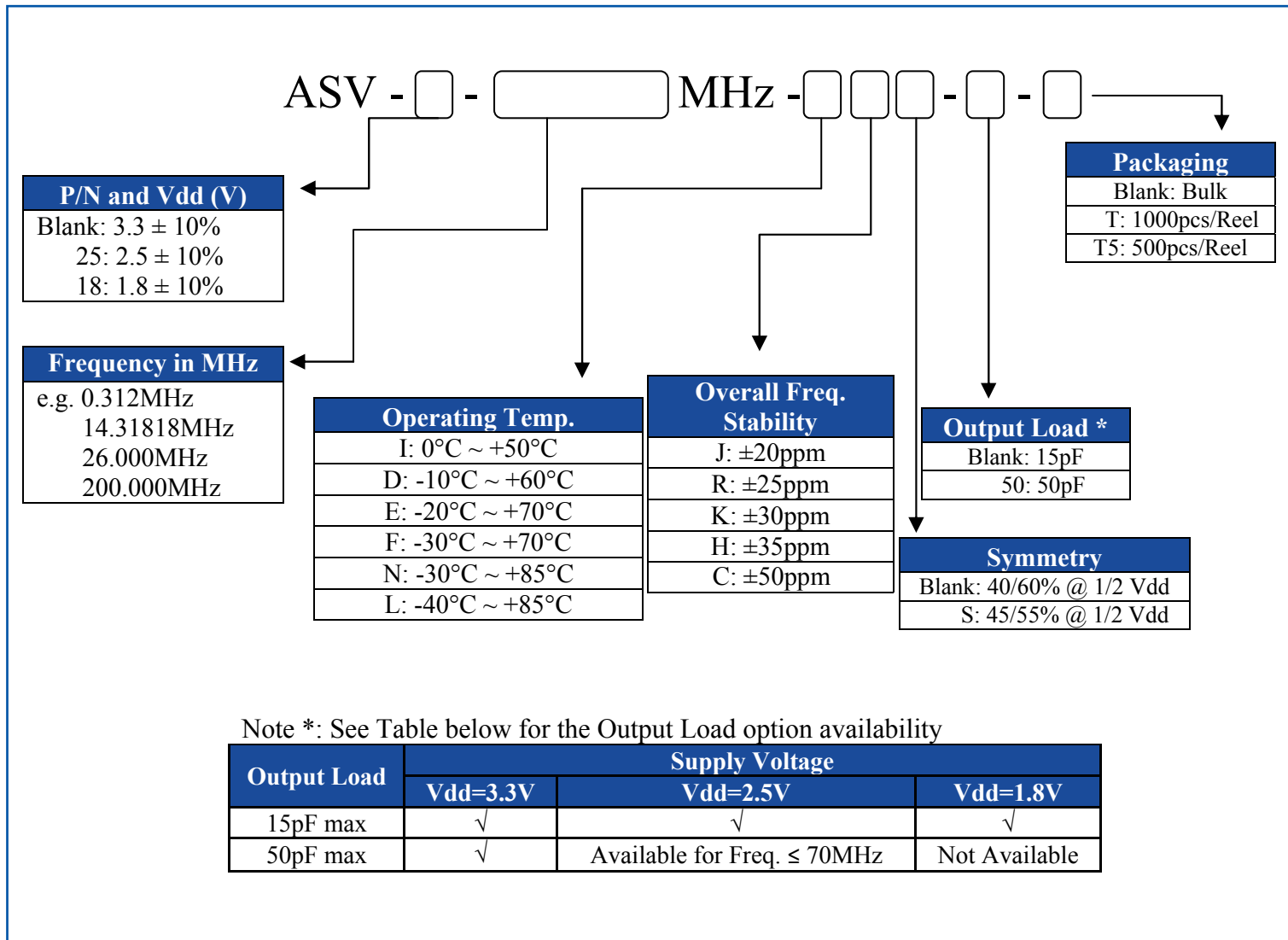
7.0 x 5.08 x 1.8 mm

ASV SERIES

ESD Sensitive

RoHS/RoHS II compliant

➤ **OPTIONS & PART IDENTIFICATION:** (Left blank if standard)



3.3Vdc HCMOS SMD Crystal Clock Oscillator



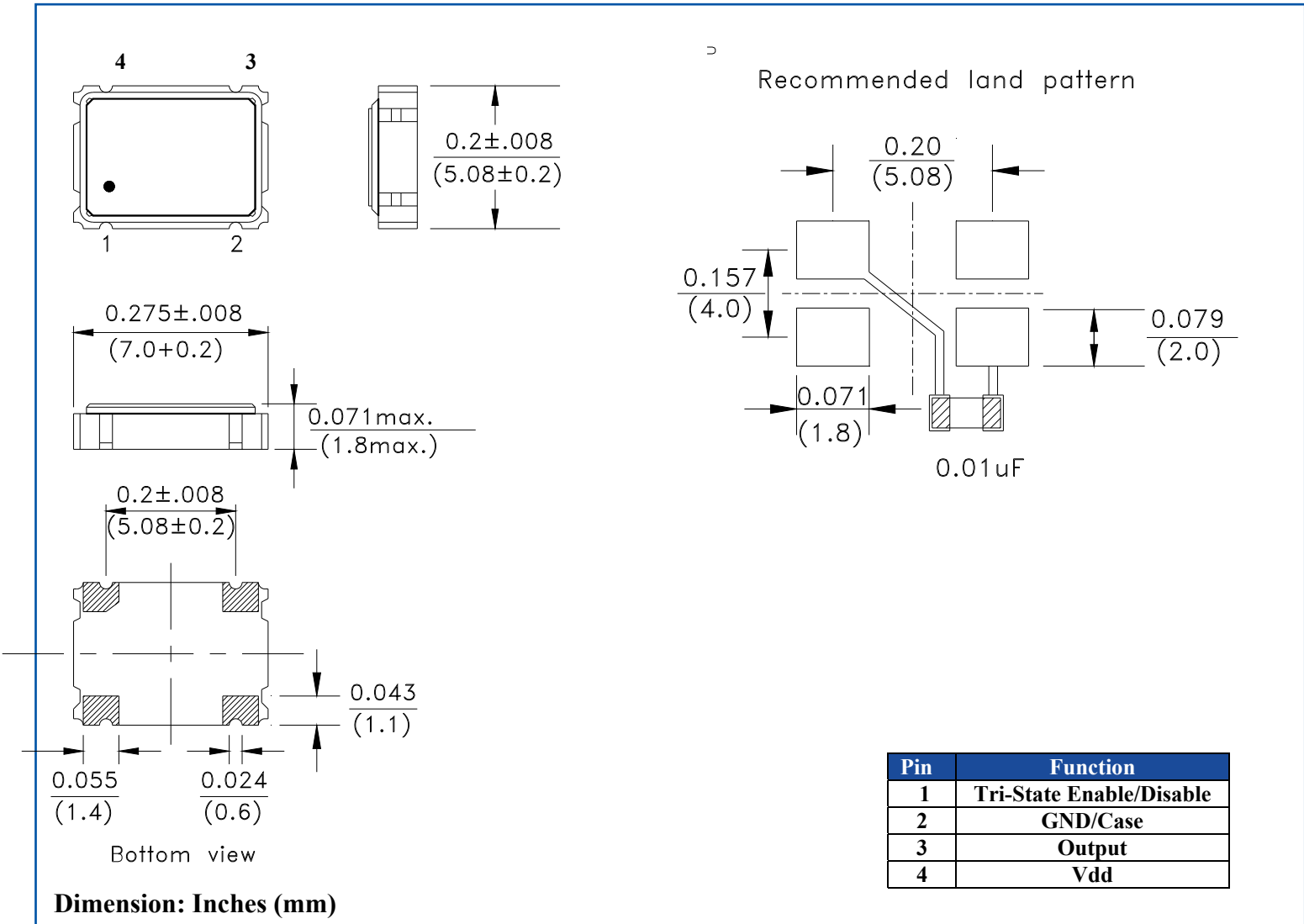
7.0 x 5.08 x 1.8 mm

ASV SERIES

ESD Sensitive

RoHS/RoHS II compliant

OUTLINE DIMENSION:



3.3Vdc HCMOS SMD Crystal Clock Oscillator



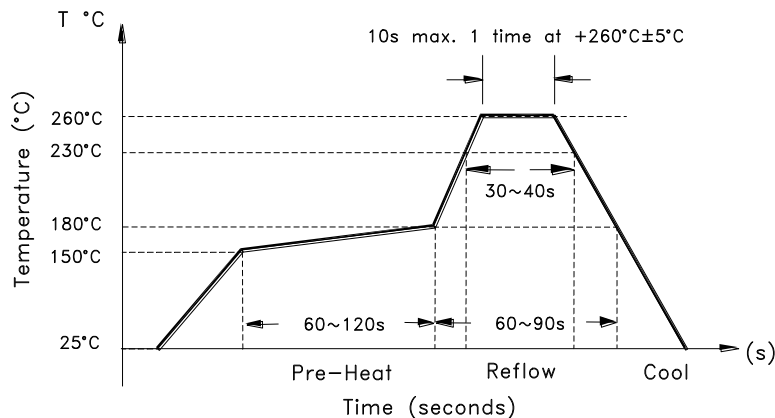
7.0 x 5.08 x 1.8 mm

ASV SERIES



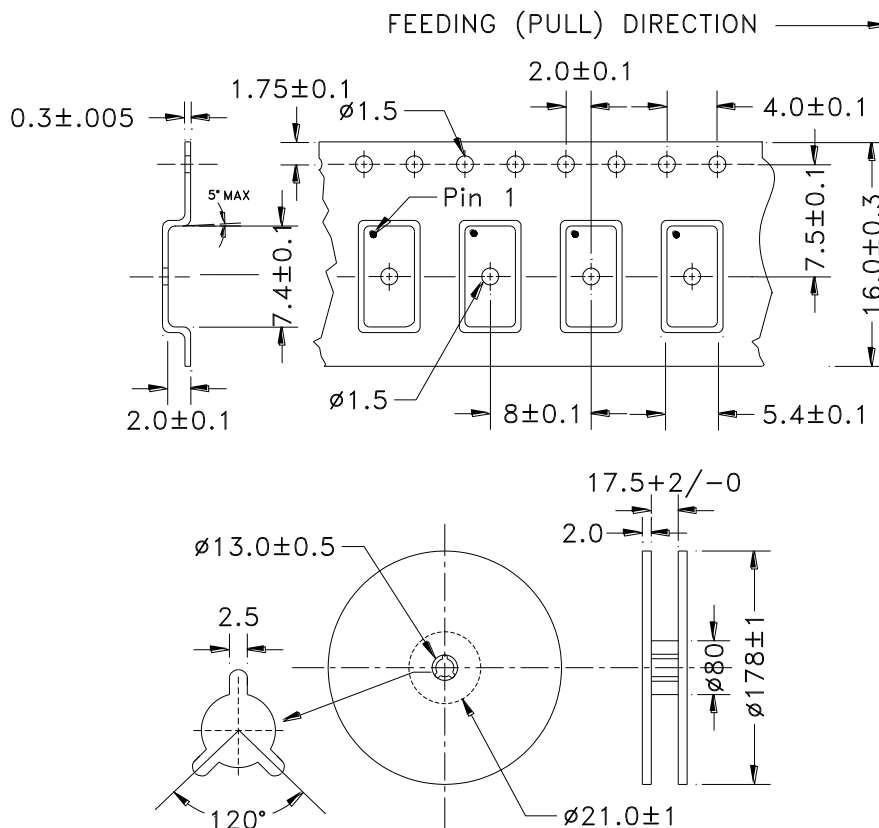
RoHS/RoHS II compliant

REFLOW PROFILE:



TAPE & REEL:

T: 1000pcs/reel
T5: 500pcs/reel



Dimension: mm

ATTENTION: Abracon Corporation's products are COTS – Commercial-Off-The-Shelf products; suitable for Commercial, Industrial and, where designated, Automotive Applications. Abracon's products are not specifically designed for Military, Aviation, Aerospace, Life-dependant Medical applications or any application requiring high reliability where component failure could result in loss of life and/or property. For applications requiring high reliability and/or presenting an extreme operating environment, written consent and authorization from Abracon Corporation is required. Please contact Abracon Corporation for more information.

ABRACON IS
ISO9001:2008
CERTIFIED



Visit www.abracon.com for Terms & Conditions of Sale
30332 Esperanza, Rancho Santa Margarita, California 92688
tel 949-546-8000 | fax 949-546-8001 | www.abracon.com

Revised: 09.02.14

Mouser Electronics

Authorized Distributor

Click to View Pricing, Inventory, Delivery & Lifecycle Information:

ABRACON:

[ASV-1.8432MHZ-EJ-T](#) [ASV-16.384MHZ-EJ-T](#) [ASV-48.000MHZ-EJ-T](#) [ASV-8.000MHZ-EJ-T](#) [ASV-27.000MHZ-EJ-T](#)
[ASV-18.432MHZ-EJ-T](#) [ASV-14.31818MHZ-EJ-T](#) [ASV-14.7456MHZ-EJ-T](#) [ASV-24.000MHZ-EJ-T](#) [ASV-7.3728MHZ-EJ-T](#)
[ASV-20.000MHZ-EJ-T](#) [ASV-40.000MHZ-EJ-T](#) [ASV-50.000MHZ-EJ-T](#) [ASV-30.000MHZ-EJ-T](#) [ASV-10.000MHZ-EJ-T](#)
[ASV-33.000MHZ-EJ-T](#) [ASV-16.000MHZ-EJ-T](#) [ASV-24.576MHZ-EJ-T](#) [ASV-3.6864MHZ-EJ-T](#) [ASV-32.000MHZ-EJ-T](#)
[ASV-12.000MHZ-EJ-T](#) [ASV-11.0592MHZ-EJ-T](#) [ASV-4.000MHZ-EJ-T](#) [ASV-25.000MHZ-EJ-T](#) [ASV-29.4912MHZ-EJ-T](#)
[ASV-33.333MHZ-EJ-T](#) [ASV-125.000-I-R-S](#) [ASV-106.250MHZ-E-C-T](#) [ASV-133.333MHZ-E-C-T](#) [ASV-125.000MHZ-E-C-T](#)
[ASV-100.000MHZ-E-C-T](#) [ASV-150.000MHZ-E-C-T](#) [ASV-1.544MHZ-L-C-S-T](#) [ASV-84.0000MHZ-L-C-A-T](#) [ASV-1.8432MHZ-E-T](#)
[ASV-10.000MHZ-E-T](#) [ASV-11.0592MHZ-E-T](#) [ASV-12.000MHZ-E-T](#) [ASV-14.31818MHZ-E-T](#) [ASV-14.7456MHZ-E-T](#)
[ASV-16.000MHZ-E-T](#) [ASV-16.384MHZ-E-T](#) [ASV-18.432MHZ-E-T](#) [ASV-20.000MHZ-E-T](#) [ASV-24.000MHZ-E-T](#)
[ASV-24.576MHZ-E-T](#) [ASV-25.000MHZ-E-T](#) [ASV-27.000MHZ-E-T](#) [ASV-29.4912MHZ-E-T](#) [ASV-3.6864MHZ-E-T](#)
[ASV-30.000MHZ-E-T](#) [ASV-32.000MHZ-E-T](#) [ASV-33.000MHZ-E-T](#) [ASV-33.333MHZ-E-T](#) [ASV-4.000MHZ-E-T](#)
[ASV-40.000MHZ-E-T](#) [ASV-48.000MHZ-E-T](#) [ASV-50.000MHZ-E-T](#) [ASV-60.000MHZ-E-T](#) [ASV-7.3728MHZ-E-T](#)
[ASV-8.000MHZ-E-T](#) [ASV-33.333MHz-L-C-T5](#) [ASV-30.000MHZ-L-C-S-T](#) [ASV-17.734475MHz-R-S-T](#) [ASV-50.000MHZ-LCS-T](#)
[ASV-100.000MHZ-EC-T](#) [ASV-125.000MHZ-EC-T](#) [ASV-125.000MHZ-ECS-T](#) [ASV-12.0000MHZ-LC-S-T](#)
[ASV-25.000MHZ-L-T](#) [ASV-4.000MHZ-LCT](#) [ASV-3.6864MHZ-NRS-T](#) [ASV-10.000MHZ-LCS-T](#) [ASV-22.5792MHZ-LR-T](#)
[ASV-29.4912MHZ-LCS-T](#) [ASV-16.000MHZ-LCS-T](#) [ASV-43.750MHZ-EJ-T](#) [ASV-50.000MHZ-ECS-T](#) [ASV-50.000MHZ-LRS-T](#)
[ASV-18.432MHZ-LC-30-T](#) [ASV-33.333MHZ-ECS-T](#) [ASV-25.000MHZ-LCS-T](#) [ASV-4.000MHZ-CS-T](#)
[ASV-50.000MHZ-LC-T](#) [ASV-12.000MHZ-LCS-T](#) [ASV-25.000MHZ-LC-T](#) [ASV-27.000MHZ-ECS-T](#) [ASV-4.000MHZ-LJ-T](#) [ASV-20.000MHZ-LR-T](#)