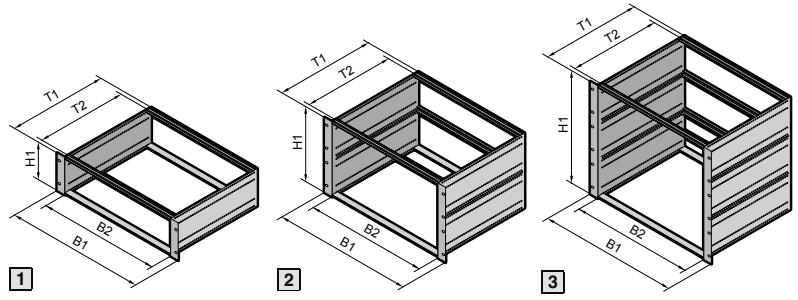


HeiPac Vario 3 U, 6 U, 9 U



Material/surface finish

Side panels: 2.5 mm aluminium, clear-chromated
 Horizontal rails: Extruded aluminium section, clear-chromated
 19" flanges: Extruded aluminium section, clear-chromated

Supply includes

Flanges, side panels, horizontal rails, threaded inserts, insulating strips or Z rails.

Tests

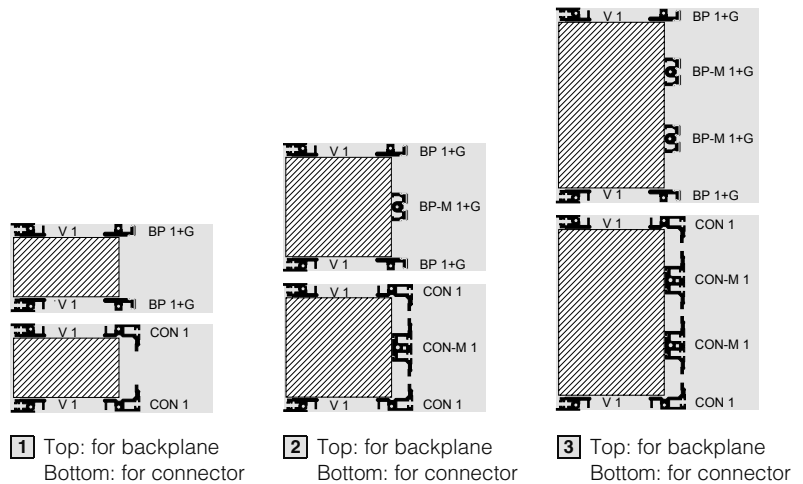
Shock and vibration tested to:
 IEC 600-68-2-6 test Fc
 IEC 600-68-2-6 test Ea

Standards

HeiPac subracks are based on the system dimensions of IEC 60 297-3

Note

Upgradeable to EMC



1 Top: for backplane Bottom: for connector
 2 Top: for backplane Bottom: for connector
 3 Top: for backplane Bottom: for connector

					Order No.					
					1		2		3	
U					3		6		9	
Height (H1) mm					132		265.35		398.70	
B1 mm	B2 HP	Side panel (T1) mm	T2 mm	Max. PCB depth mm	For backplane	For connector IEC 60 603-2	For backplane	For connector IEC 60 603-2	For backplane	For connector IEC 60 603-2
482.6 (19")	84	185	160	160	3684.020	3684.034	3684.043	3684.056	-	-
		225	200	160	3684.021	3684.035	3684.044	3684.057	-	-
		245	220	220	3684.022	3684.036	3684.045	3684.058	-	-
		285	260	220	3684.023	3685.281	3684.046	-	-	-
		305	280	280	3685.231	3685.233	3685.238	3685.240	-	-
		345	320	280	3684.024	-	3684.047	-	3684.051	3684.059
		365	340	340	3685.232	3685.234	3685.239	-	-	-
		405	380	340	3684.025	-	3684.048	-	3684.052	3684.060
		465	440	400	3684.026	-	3684.049	-	3684.053	3684.061
		525	500	400	3684.027	-	3684.050	-	3684.054	-
585	560	400	-	-	-	-	3684.055	-		

Other customised subrack solutions are available upon request. Please get in contact with one of our sales representatives for further assistance: Tel. +49 9126 - 29 34 0