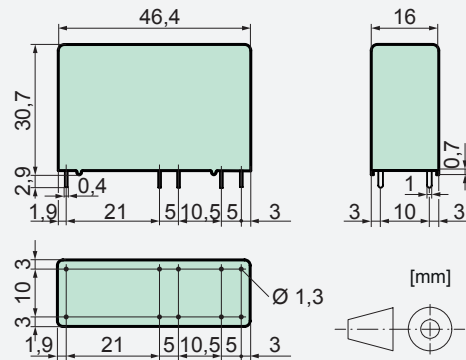


### Relay Key Data

- PCB Relay with forcibly guided contacts
- Protective separation between coil/control contacts (>10 mm) as well as protective separation between the output contacts themselves (>8 mm)
- EN50205 type A
- Contact mounting: SIR312 3 NO / 1 NC  
SIR222 2 NO / 2 NC
- Small external dimensions
- Nominal coil power 0,6 W
- Holding coil power 0,18 W
- Coils for railway applications (EN 50155) on request

### Dimensions



### Contact Data

Contact material	AgSnO <sub>2</sub> + 0,2 µm Au
Type of contact	Crest contact
Rated switching capacity	250 VAC 10 A AC1 2500 VA
Electr. life AC 1(360 cycles / h)	approx. 100000
Inrush current max.	25 A for 20 ms
Switching voltage range	5 to 250 VDC / VAC
Switching current range*	10 mA to 10 A
Switching capacity range*	60 mW to 2500 W(VA)
Contact resistance (as delivered)	≤100 mΩ / 6 V / 100 mA

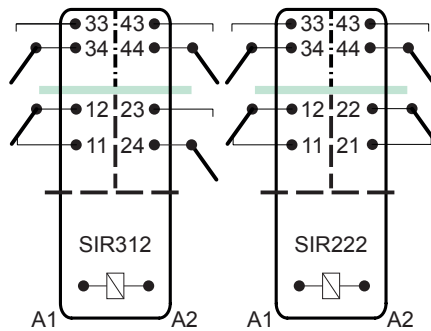
\*Guided values

### Standard coils for direct current

(other voltages on request)

Nominal voltage VDC	Min. pick-up voltage at 20 °C	Drop-out voltage at 20 °C	Nominal current in mA	Resistance in Ohm at 20 °C
5	3,5	≥0,5	121,0	41 ± 10%
6	4,2	≥0,6	100,0	60 ± 10%
12	8,4	≥1,2	50,0	240 ± 10%
18	12,6	≥1,8	33,3	540 ± 10%
24	16,8	≥2,4	25,2	950 ± 10%
48	33,6	≥4,8	12,6	3800 ± 10%
60	42,0	≥6,0	10,0	6000 ± 13%
110	77,0	≥11,0	5,5	20000 ± 15%

### Circuit Diagram (view on relay upper side)



### Insulation Data

- Basic insulation	at 250 VAC
- Air and creepage distance	>4 mm
- Test voltage	2500 V / 50 Hz / 1 min
- Double or reinforced insulation	at 250 VAC
- Air and creepage distance	>8 mm
- Test voltage	4000 V / 50 Hz / 1 min
- Double or reinforced insulation	at 250 VAC
- Air and creepage distance	>10 mm
- Test voltage	5000 V / 50 Hz / 1 min
Test voltage contact open	1500 V / 50 Hz / 1 min
Creepage resistance	CTI 250
Pollution degree	2
Overvoltage category	III
Insulation resistance at Up 500 VDC	>100 MΩ

### Additional Data

Mechanical endurance	>10 x 10 <sup>6</sup> operations
Switching frequency, mechanical	15 Hz
Response time (all NO closed)	typically 15 ms
Drop-out time** (all NC closed)	typically 4 ms
Bounce time of NO contact	typically 6 ms
Bounce time of NC contact	typically 12 ms
Shock resistance 16 ms	NO > 10g NC > 6g
Vibration resistance (10-200 Hz)	NO > 5g NC > 1,5g
Resistance to short circuiting contacts	1000 A SCPD 10 A gG / gL (pre-fuse)
Ambient temperature	-40°C to +70°C
Thermal resistance	55 K / W
Temperature limit for coil	120°C
Weight	ca. 30 g
Mounting position	any
Type of protection	RT II
Solder bath temperature	270°C / 5 s

\*\*without spark suppression

### Tests, Regulations

Approvals

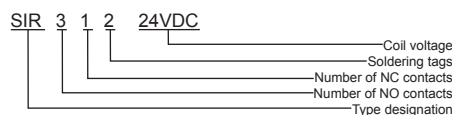


UL File E188953	Sec. 3
Insulation class IEC 60664-1	250 VAC
Fire protection requirements	UL 94 / V0

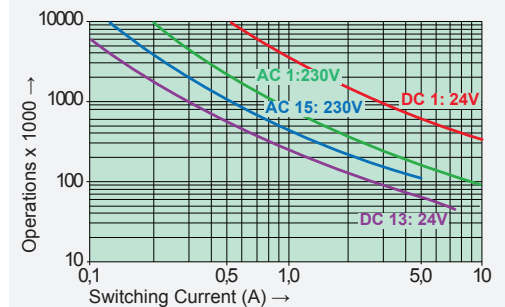
### Options, Accessories

PCB socket Page 31

### Product Key



### Contact Lifetime NO-Contacts

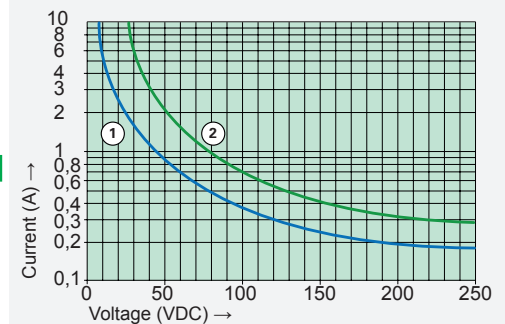


Maximal switching characteristics (DIN EN60947-5-1, Tab. C2)

AC 15:	230 V / 5 A
DC 13:	24 V / 7,5 A / 0,1 Hz
UL 508:	C600 / R300

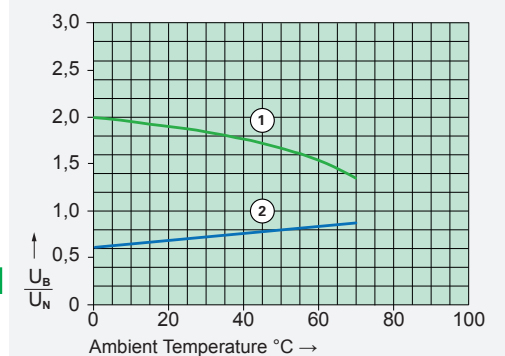
Maximal contact load at AC 1 with 230 V:  
2 contacts with 10 A each  
3 contacts with 8,4 A each

### Load Limit Curve with Direct Current



- 1) Inductive load L/R 40 ms
- 2) Resistive load

### Excitation Voltage Range



- 1) Max. excitation voltage with contact load: ≤6 A
- 2) Min. excitation voltage (guaranteed values) without previous operation

No heat accumulation due to intrinsic heating of other components. Continuous duty 100%.