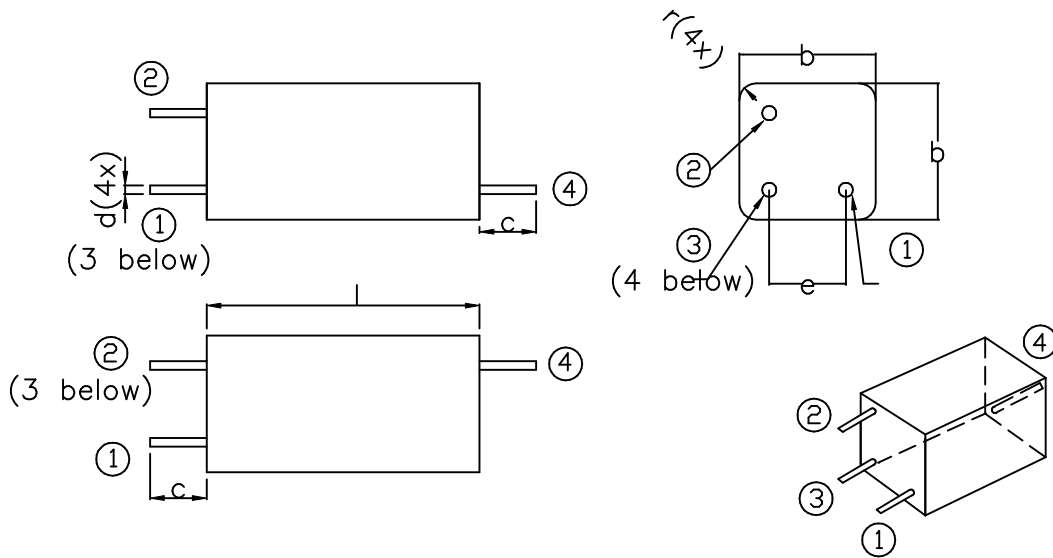


MECHANICAL DATA



Dimensions (mm)

e : 5.0+/-0.5
l : 16+/-0.5
d : 0.5 dia
r : R1.5
a :
b : 8.0+/-0.3

c : 3 min
f :
n :
k :
:
:

:
:
:
:
:
:

Pin no.1 Primary (Red)	Pin no.2 Primary(St) & Secondary
Pin no.4 Secondary High Voltage(St)	

Remarks :

Operating temp. : -30°C to +80°C
 Storage temp :- -10°C to +55°C

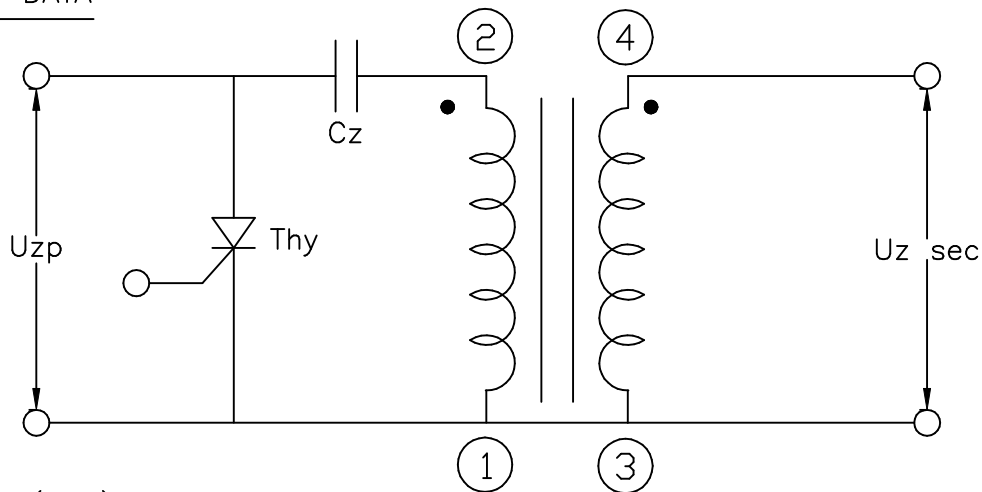
				Number of sheets 2	Sheet no. 1
				Date 30.8.01	Sign. Chong SP
				Drawn by	
				Checked by	
				Type ZS 1052	
Index	Changes	Date	Sign.		



PerkinElmer™
optoelectronics.

47 Ayer Rajah Crescent #06-12
 Singapore 139947
 Tel : (065) 7752022
 Fax : (065) 7782370

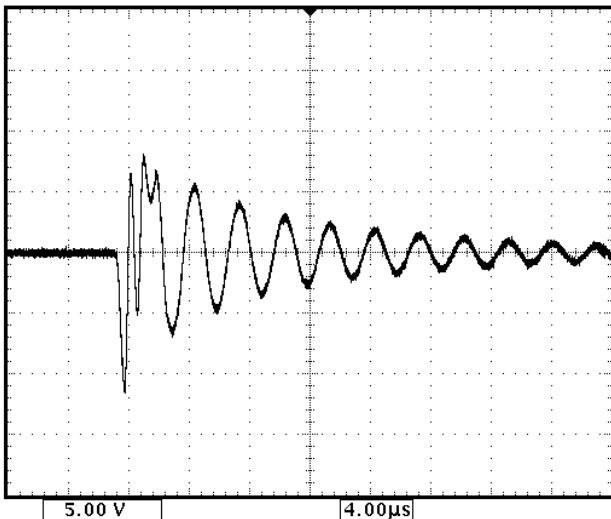
OPERATING DATA



Dimensions (mm)

ITEMS	PRIMARY	SECONDARY
Resistance	325 mohm max	145+/-15 ohm
Primary Voltage, Uzp	Uzp = 300V	---
Primary Capacitance, Cz	0.047 uF	---
Secondary Voltage, Uz	---	9.0 kV min
Polarity of 1st peak	---	1st peak Negative
Inductance @ 1kHz	20+/-4 uH	20+/-5 mH

Typical waveform :



Unloaded high voltage output
4 us/div 5 kV/div

				Number of sheets 2	Sheet no. 2
				Date 30.8.01	Sign. Chong SP
				Drawn by	
				Checked by	
				Type ZS 1052	
Index	Changes	Date	Sign.		



47 Ayer Rajah Crescent #06-12
Singapore 139947
Tel : (065) 7752022
Fax : (065) 7782370