

DM74ALS109A Dual J-K Positive-Edge-Triggered Flip-Flop with Preset and Clear

General Description

The DM74ALS109A is a dual edge-triggered flip-flop. Each flip-flop has individual J, \bar{K} , clock, clear and preset inputs, and also complementary Q and \bar{Q} outputs.

Information at input J or \bar{K} is transferred to the Q output on the positive going edge of the clock pulse. Clock triggering occurs at a voltage level of the clock pulse and is not directly related to the transition time of the positive going pulse. When the clock input is at either the high or low level, the J, \bar{K} input signal has no effect.

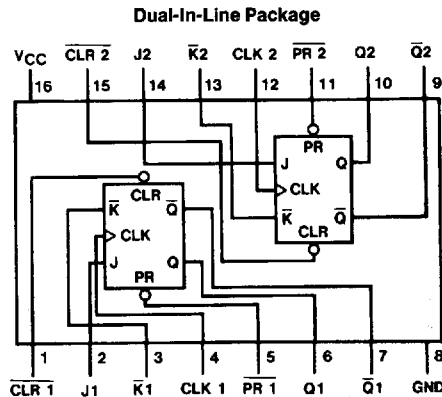
Asynchronous preset and clear inputs will set or clear Q output respectively upon the application of low level signal.

The J- \bar{K} design allows operation as a D flip-flop by tying the J and \bar{K} inputs together.

Features

- Switching specifications at 50 pF
- Switching specifications guaranteed over full temperature and V_{CC} range
- Advanced oxide-isolated, ion-implanted Schottky TTL process
- Functionally and pin for pin compatible with Schottky and LS TTL counterpart
- Improved AC performance over LS109 at approximately half the power

Connection Diagram



TL/F/6196-1

Order Number DM74ALS109AM or DM74ALS109AN
See NS Package Number M16A or N16A

Function Table

Inputs					Outputs	
PR	CLR	CK	J	\bar{K}	Q	\bar{Q}
L	H	X	X	X	H	L
H	L	X	X	X	L	H
L	L	X	X	X	H*	H*
H	H	↑	L	L	L	H
H	H	↑	H	L	TOGGLE	
H	H	↑	L	H	Q ₀	\bar{Q} ₀
H	H	↑	H	H	H	L
H	H	L	X	X	Q ₀	\bar{Q} ₀

L = Low State, H = High State, X = Don't Care

↑ = Positive Edge Transition, Q₀ = Previous Condition of Q

*This condition is nonstable; it will not persist when present and clear inputs return to their inactive (high) level. The output levels in this condition are not guaranteed to meet the V_{OH} specification.

Absolute Maximum Ratings

Supply Voltage	7V
Input Voltage	7V
Operating Free Air Temperature Range	
DM74ALS	0°C to +70°C
Storage Temperature Range	-65°C to +150°C
Typical θ_{JA}	
N Package	82.5°C/W
M Package	111.5°C/W

Note: The "Absolute Maximum Ratings" are those values beyond which the safety of the device cannot be guaranteed. The device should not be operated at these limits. The parametric values defined in the "Electrical Characteristics" table are not guaranteed at the absolute maximum ratings. The "Recommended Operating Conditions" table will define the conditions for actual device operation.

Recommended Operating Conditions

Symbol	Parameter		DM74ALS109A			Units
			Min	Nom	Max	
V _{CC}	Supply Voltage		4.5	5	5.5	V
V _{IH}	High Level Input Voltage		2			V
V _{IL}	Low Level Input Voltage				0.8	V
I _{OH}	High Level Output Current				-0.4	mA
I _{OL}	Low Level Output Current				8	mA
f _{CLK}	Clock Frequency		0		34	MHz
t _w (CLK)	Pulse Width	Clock High	14.5			ns
		Clock Low	14.5			ns
t _w	Pulse Width	Pre \bar{s} et and Cle \bar{a} r	15			ns
t _{SU}	Data Setup Time	J or \bar{K}	15 \uparrow			ns
		PRE or CLR inactive	10 \uparrow			
t _H	Data Hold Time		0 \uparrow			ns
T _A	Free Air Operating Temperature		0		70	°C

The (\uparrow) arrow indicates the positive edge of the Clock is used for reference.

Electrical Characteristics

over recommended operating free-air temperature range. All typical values are measured at V_{CC} = 5V, T_A = 25°C.

Symbol	Parameter	Conditions	Min	Typ	Max	Units
V _{IK}	Input Clamp Voltage	V _{CC} = 4.5V, I _I = -18 mA			-1.5	V
V _{OH}	High Level Output Voltage	I _{OH} = -400 μ A V _{CC} = 4.5V to 5.5V	V _{CC} - 2			V
V _{OL}	Low Level Output Voltage	V _{CC} = 4.5V V _{IH} = 2V	54/74ALS I _{OL} = 4 mA	0.25	0.4	V
			74ALS I _{OL} = 8 mA	0.35	0.5	V
I _I	Input Current at Max Input Voltage	V _{CC} = 5.5V, V _{IH} = 7V	Clock, J, \bar{K}		0.1	mA
			Pre \bar{s} et, Cle \bar{a} r		0.2	
I _{IH}	High Level Input Current	V _{CC} = 5.5V, V _{IH} = 2.7V	Clock, J, \bar{K}		20	μ A
			Pre \bar{s} et, Cle \bar{a} r		40	
I _{IL}	Low Level Input Current	V _{CC} = 5.5V, V _{IL} = 0.4V	Clock, J, \bar{K}		-0.2	mA
			Pre \bar{s} et, Cle \bar{a} r		-0.4	
I _O (Note 2)	Output Drive Current	V _{CC} = 5.5V, V _O = 2.25V	-30		-112	mA
I _{CC}	Supply Current	V _{CC} = 5.5V (Note 1)		2.4	4	mA

Note 1: I_{CC} is measured with J, \bar{K} , CLK and PRESET grounded, then with J, \bar{K} , CLK and CLEAR grounded.

Note 2: The output conditions have been chosen to produce a current that closely approximates one half of the true short circuit output current, I_{OS}.

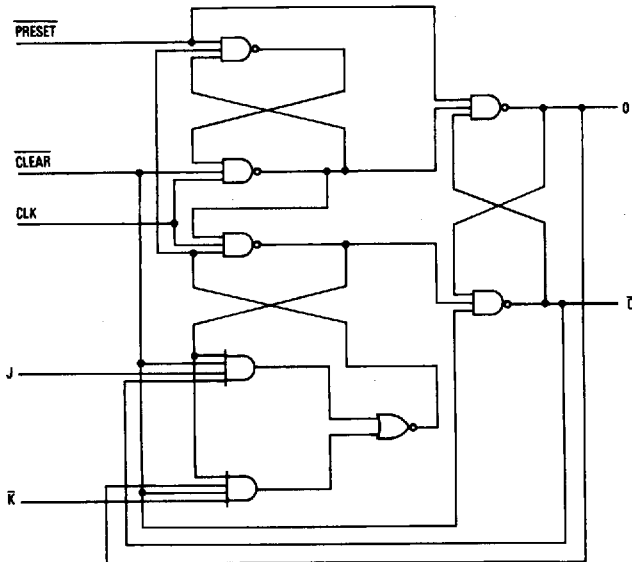
Switching Characteristics

over recommended operating free air temperature range (Note 1)

Symbol	Parameter	Conditions	From	To	DM74ALS109A		Units
					Min	Max	
f_{MAX}	Maximum Clock Frequency	$V_{CC} = 4.5V$ to $5.5V$ $R_L = 500\Omega$ $C_L = 50 pF$			34		MHz
t_{PLH}	Propagation Delay Time Low to High Level Output		\overline{Preset} or \overline{Clear}	Q or \overline{Q}	3	13	ns
t_{PHL}	Propagation Delay Time High to Low Level Output		\overline{Preset} or \overline{Clear}	Q or \overline{Q}	5	15	ns
t_{PLH}	Propagation Delay Time Low to High Level Output		Clock	Q or \overline{Q}	5	16	ns
t_{PHL}	Propagation Delay Time High to Low Level Output		Clock	Q or \overline{Q}	5	18	ns

Note 1: See Section 5 for test waveforms and output load.

Logic Diagram



TL/F/6196-2