

# Twido

## TwidoSoft Operation Guide

### Online Help

eng

Version 3.2



## What is TwidoSoft?

---

### Introduction

TwidoSoft is a graphical development environment for creating, configuring, and maintaining applications for Twido programmable controllers. TwidoSoft is a 32-bit Windows-based program for a personal computer (PC) running Microsoft Windows 98 Second Edition or Microsoft Windows 2000 Professional operating systems. Versions of TwidoSoft of v. 1.13 or later also run on Microsoft Windows XP.

---

### Software Features

Main software features of TwidoSoft:

- Standard Windows Interface
  - Application browser and multiple window views
  - Programming and configuration support
  - Communication with controller
- 

### Standard Windows Interface

Key standard Windows features:

- Easy use of keyboard or mouse
  - Dockable windows and toolbars
  - Standard menu organization
  - ToolTips, status bar, and shortcut menus
  - Online help including context-sensitive help
- 

### Programming and Configuration

Major programming and configuration features:

- Reversible ladder and list programming
  - Two-step, point and click ladder programming
  - Offline and online programming
  - Program and/or data animation
  - Easy configuration by using the Application Browser
  - Editors for main programming and configuration features
  - Cut, copy, and paste program editing
  - Symbolic programming
  - Cross references
  - Printouts of programs and configuration
- 

### Controller Communication and Control

Main TwidoSoft features for controller support:

- Connecting and disconnecting a controller
  - Operating the controller
  - Monitoring application use of memory by the Resource Monitor
  - Downloading and uploading controller programs
  - Backing up controller programs to optional EEPROM
-

**Additional Information**

Refer to the following for additional information:

- For information on standard Windows interface features, refer to Microsoft Windows documentation and help files.
  - For information on Twido controller hardware and programming using the List and Ladder languages, see the TwidoSoft User Reference Manual.
  - For context sensitive help, click on the **Help** buttons in dialog boxes.
- 

**Conventions**

The following typographic conventions are used in this operation guide.

<b>Format</b>	<b>Represents</b>
<b>bold</b>	For user input, enter words or phrases shown in <b>bold</b> exactly as they appear. Menu names and options, commands and toolbar names, and dialog box names and options are also shown in <b>bold</b> type.
UPPER CASE	Keyboard names, combinations, and sequences are shown in all uppercase letters. For example, the keyboard shortcut for creating a new application is CTRL+N. To perform this shortcut, press and hold the CTRL key and then press the N key.
<b>File → Open</b>	The arrow indicates a menu selection. In this instance, go to the <b>File</b> menu to select the <b>Open</b> command.

---

## Connecting a PC to a Twido controller

---

### Introduction

A communications cable is required to connect a PC to a Twido controller.

Connections can be made in any of three ways. Either:

- using special multi-function cables for connecting the COM or USB serial port on the PC to Port 1 on the controller:
  - The TSX PCX 1031 (2.5m) cable converts signals between RS-485 and RS-232 devices,
  - The TSX PCX 3030 (2.5m) cable converts signals between RS-485 and USB devices.
- using a telephone connection linking a receiving modem connected to port 1 on the controller and a modem connected to the COM serial port on the PC (or internal modem to the PC).
- or, if your Twido controller is Ethernet-capable (such as the TWDLCAE40DRF Compact controller), using a SFTP Cat5 RJ45 Ethernet cable to connect both PC and controller RJ-45 ports to an Ethernet hub/switch.

Port 1 for all Twido controllers is a built-in RS-485 port, which must be used to communicate to the TwidoSoft programming software. When the cable is connected to Port 1, protocol is automatically set for TwidoSoft communications (see *Using the Communications Cable*, p. 159).

**Note:** TSX PCX 1031 and TSX PCX 3030 communication cables are equipped with a four-position rotary switch allowing the cable to be used for different modes. Set the switch to the position labeled **2** for TwidoSoft communications.

### CAUTION

#### **POSSIBLE ELECTRICAL DAMAGE TO CONTROLLER COMPONENTS.**

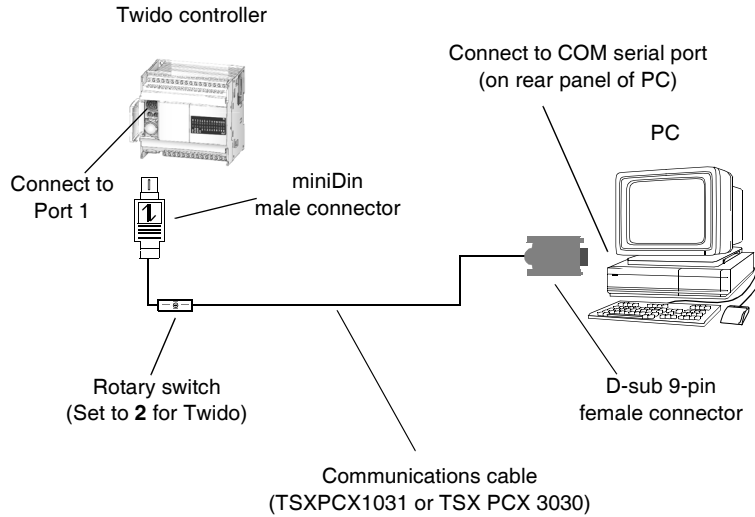
Do not connect the communications cable to the controller before connecting it to the PC. Always connect the cable to the PC first.

**Failure to follow this instruction can result in injury or equipment damage.**

---

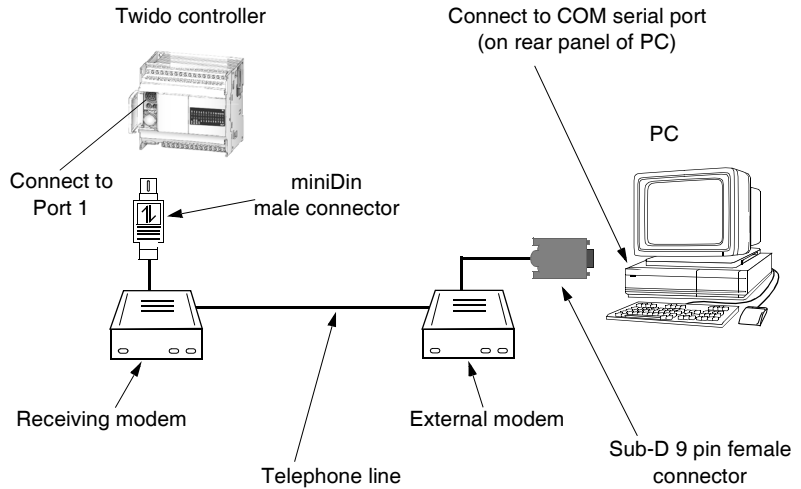
**Connecting the  
TSX PCX 1031 or  
TSX PCX 3030  
Communication  
Cable**

The following diagram shows an example of the communications cable connecting a PC to a Twido controller. The location of Port 1 depends on the model of the Twido controller. Consult your PC documentation for details on using COM serial ports.



### Telephone Line Connection

The following diagram shows an example of a telephone connection between the modems of a PC and a Twido controller. The location of Port 1 depends on the model of the Twido controller. Consult your PC documentation for details on using modems.



**Connection via  
an Ethernet  
Network**

The following diagram shows an example of a connection between the PC running the TwidoSoft application program and a Twido controller via an Ethernet network hub/switch. This type of connection is feasible only with an Ethernet-capable Twido controller, such as the TWDLCAE40DRF Compact controller.

