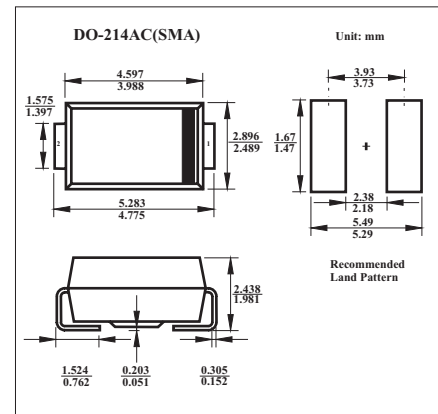


## 1A Rectifier Diodes

## 1N4001-1N4007

## ■ Features

- Diffused Junction
- High Current Capability and Low Forward Voltage Drop
- Surge Overload Rating to 30A Peak
- Low Reverse Leakage Current



## ■ Maximum Ratings and Electrical Characteristics @ Ta = 25°C

Parameter	Symbol	Rating							Unit
		1N4001	1N4002	1N4003	1N4004	1N4005	1N4006	1N4007	
Peak Repetitive Reverse Voltage	V <sub>RRM</sub>								V
Working Peak Reverse Voltage	V <sub>RMS</sub>	50	100	200	400	600	800	1000	
DC Blocking Voltage	V <sub>DC</sub>								
RMS Reverse Voltage	V <sub>R(RMS)</sub>	35	70	140	280	420	560	700	V
Average Rectified Output Current @TA = 75°C	I <sub>O</sub>	1.0							A
Non-Repetitive Peak Forward Surge Current, 8.3ms Single Half Sine-wave Superimposed on Rated Load (JEDEC method)	I <sub>FSM</sub>	30							A
DC Blocking Voltage @ TA = 100°C	I <sub>RM</sub>	50							μ A
Forward Voltage @ I <sub>F</sub> = 1.0A	V <sub>FM</sub>	1.0							V
Typical Junction Capacitance	C <sub>J</sub>	15							pF
Typical Thermal Resistance Junction to Ambient	R <sub>θ JA</sub>	100							K/W
Maximum DC Blocking Voltage Temperature	T <sub>A</sub>	+150							°C
Operating and Storage Temperature Range	T <sub>J</sub> , T <sub>STG</sub>	-65 to +175							°C

## ■ Marking

Part NO.	1N4001	1N4002	1N4003	1N4004	1N4005	1N4006	1N4007
Marking	S1	S2	S3	S4	S5	S6	S7