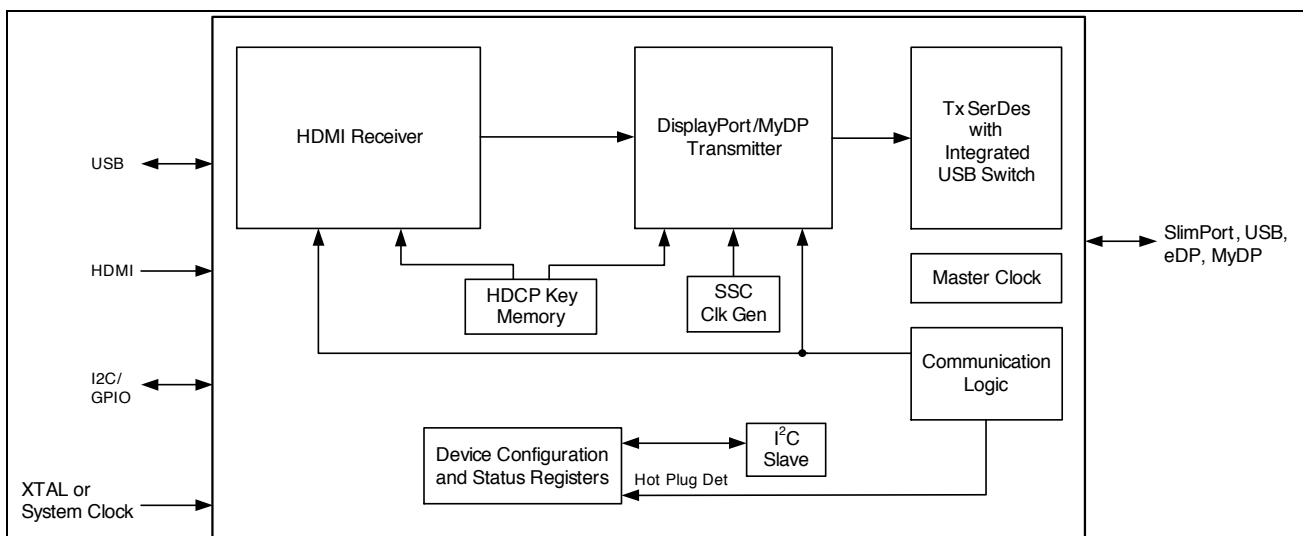


SlimPort® (Ultra-HD) Transmitter

The ANX7816 is an ultra-low power **Ultra-HD (4096x2160p30)** SlimPort transmitter designed for portable devices, such as smartphones, tablets, Ultrabooks, docking stations, sports cameras, camcorders, set top boxes, cradles, and adapters. ANX7816 works in conjunction with any MyDP/DisplayPort™ receiver, such as the ANX7730, ANX7732, and more. The ANX7816 transforms the HDMI output of an application processor to MyDP or DisplayPort. External adapters can then convert MyDP or DisplayPort to HDMI, DVI, or to VGA so that the device can connect to any high-definition TV, monitor, or projector. Also, an appropriate MyDP to DisplayPort cable can connect to any DisplayPort receiver. The mobile device's USB connector functions as USB when a MyDP receiver is not connected.

Features

- Standard compliance
 - DisplayPort, MyDP, HDMI, HDCP
- USB data in/out
 - USB host, device or OTG data passes through by default
 - Meets Inter-Chip USB specification
- SlimPort/MyDP/eDP/DisplayPort transmitter
 - SlimPort output over mini- or micro-USB connector
 - DisplayPort, eDP, or MyDP output over any connector
 - Configurable 1-lane output supports: Turbo mode, HBR2, HBR, and RBR data rates
 - **Ultra-HD (3840x2160p30) or 4K(4096x2160p30)** maximum video resolution
 - Stereo (3D) video output support
 - Single wire (C-WIRE) sideband communication
 - Integrated remote control support
 - HDCP content protection
- Integrated analog switch and accessory detection
 - Seamless switching between USB and MyDP
 - SlimPort cable detection with Fail-Safe mechanism
- HDMI receiver
 - Supports max pixel clock up to **300Mpixels/sec**
 - Up to **36bpp** color depth support at Full-HD
 - Up to 8 channels digital audio support
- System operation
 - Flexible ref clock: 19 MHz to 52 MHz
 - Slave I²C device control interface
 - Built-in video BIST for system self-test
- Power requirements
 - 1.0V, 1.8V, and 3.3V
 - Standby power: <45uW, while monitoring cable detection
- Package offered: VFBGA 64-ball
- RoHS compliant and Halogen free package



Related Products

Part Number	Description
ANX7802	SlimPort Transmitter (HD, 720p60) with HDMI input
ANX7805	SlimPort Transmitter (Full-HD, 1080p60) with RGB-24, MIPI-DSI, SPDIF, I ² S and SLIMbus inputs
ANX7812	SlimPort Transmitter (Full-HD, 1080p60) with HDMI input
ANX7814	SlimPort Transmitter (Full-HD, 1080p60) with HDMI input
ANX7730	SlimPort to HDMI 1.4b (Full-HD, 1080p60 and 3D) converter
ANX7732	SlimPort to VGA (WUXGA, 1920x1080p60) converter
ANX7738	SlimPort to HDMI 1.4b (Ultra-HD, 4Kp60 and 3D) converter
ANX7748	SlimPort to DisplayPort (WUXGA, 1920x1080p60) active lane converter

Copyright ©2014 Analogix Semiconductor, Inc.
3211 Scott Blvd., Suite 103
Santa Clara, CA 95054, USA
+1(408) 988-8848

<http://www.analogix.com/>

©2014 Analogix Semiconductor, Inc. All Rights reserved.

THE INFORMATION CONTAINED IN THIS DOCUMENT IS PROVIDED "AS IS" WITHOUT ANY EXPRESS REPRESENTATIONS OF WARRANTIES. IN ADDITION, ANALOGIX SEMICONDUCTOR INC. DISCLAIMS ALL IMPLIED REPRESENTATIONS AND WARRANTIES, INCLUDING ANY WARRANTY OF MERCHANTABILITY, FITNESS FOR A PARTICULAR PURPOSE, OR NON-INFRINGEMENT OF THIRD PARTY INTELLECTUAL PROPERTY RIGHTS.

This document contains proprietary information of Analogix Semiconductor, Inc. or under license from third parties. No part of this document may be reproduced in any form or by any means or transferred to any third party without the prior written consent of Analogix Semiconductor, Inc.

The information contained in this document is not designed or intended for use in on-line control of aircraft, aircraft navigation or aircraft communications; or in the design, construction, operation or maintenance of any nuclear facility. Analogix disclaims any express or implied warranty of fitness for such uses.

Analogix Semiconductor, Inc., the Analogix Logo, and WideEye™ SerDes, SlimPort®, and CoolHD® are trademarks of Analogix Semiconductor, Inc., in the United States and other countries.

HDMI, the HDMI logo and High-Definition Multimedia Interface are trademarks or registered trademarks of HDMI Licensing LLC.

DisplayPort and the DisplayPort logo are trademarks or registered trademarks of the Video Electronics Standards Association, VESA®.

USB and the USB logo are trademarks or registered trademarks of USB Implementers Forum, Inc., creators of USB technology.

All other trademarks and registered trademarks are the property of their respective owners.