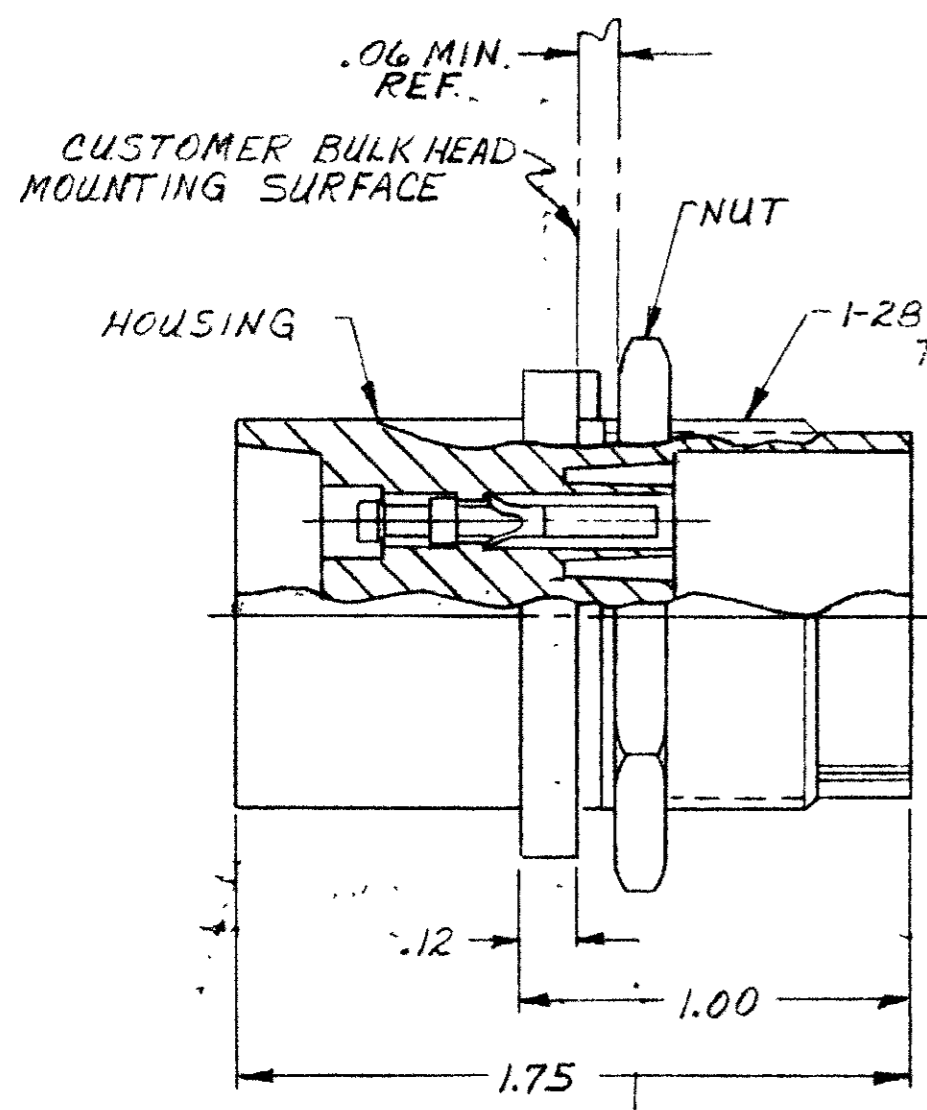


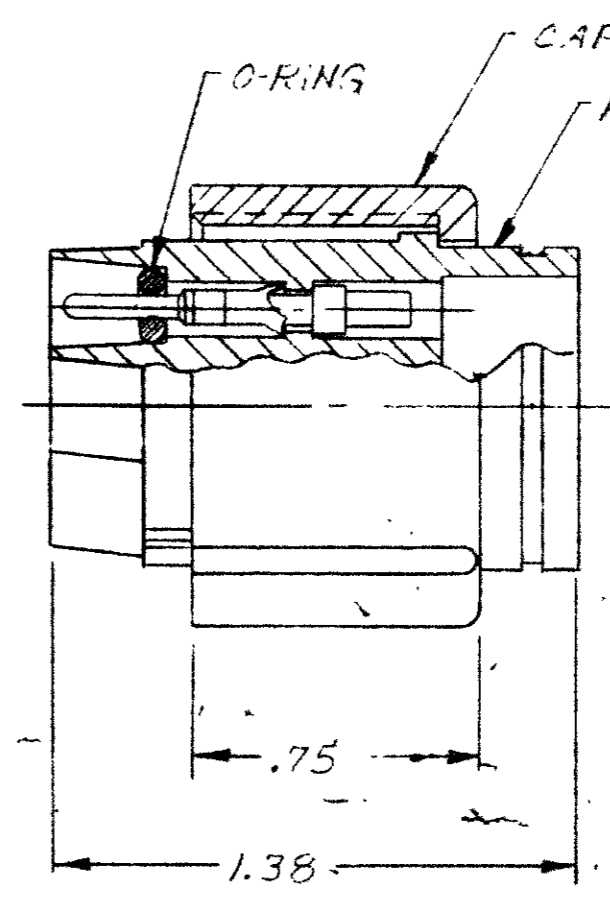
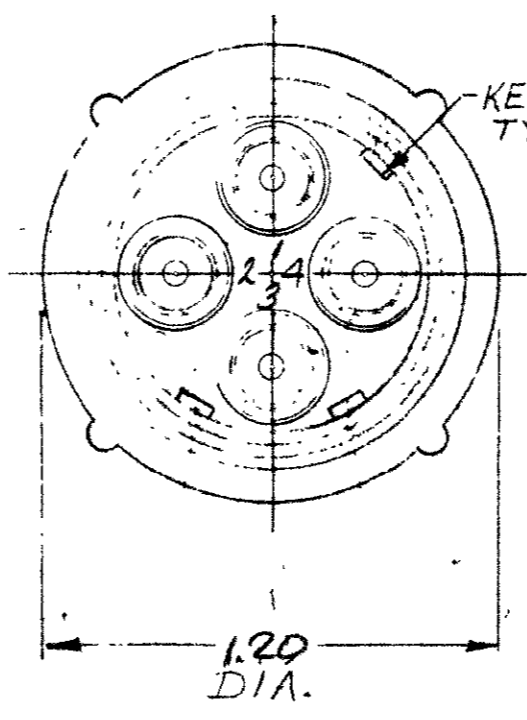
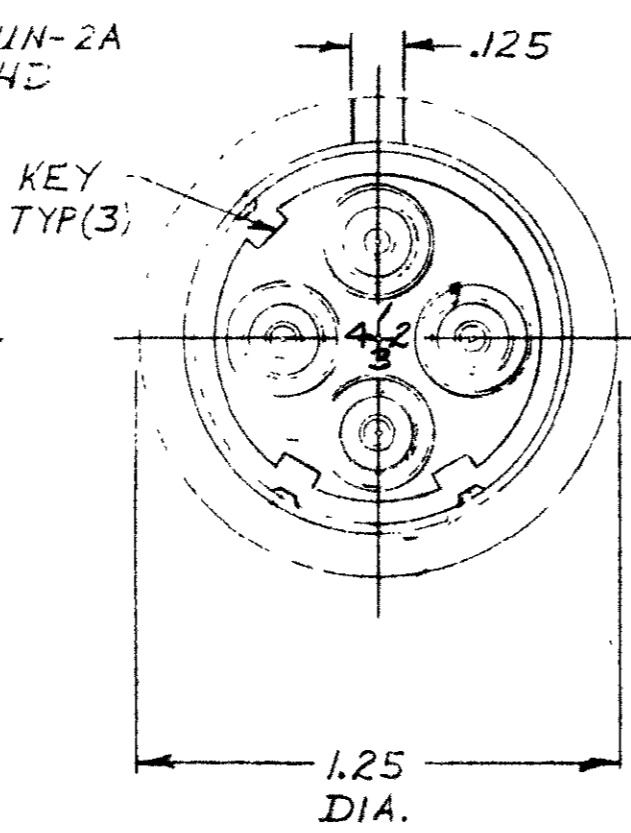
© 1966 BY AMP INCORPORATED. ALL RIGHTS RESERVED. AMP PRODUCTS COVERED BY PATENTS AND/OR PATENTS PENDING.

THIS PRODUCT DESIGNED AND BUILT BY AMP INCORPORATED. NO LICENSE TO USE THAT DESIGN IN MANUFACTURE, OR TO USE ANY ISSUED OR PENDING PATENTS WHICH ARE INVOLVED, IS IMPLIED.

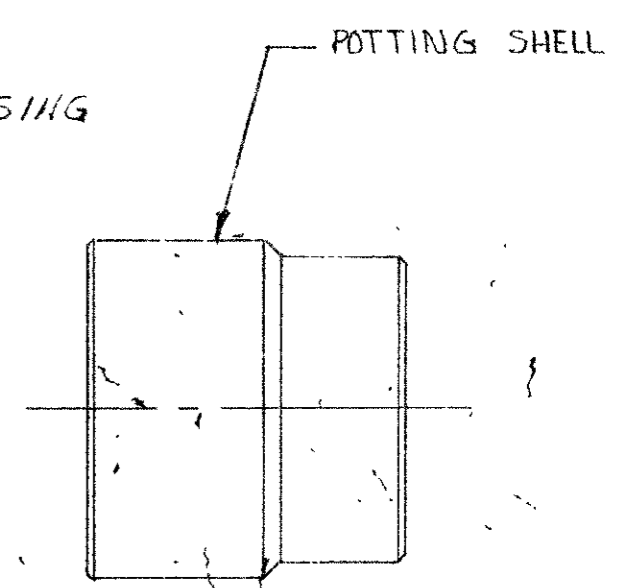
REVISIONS				
ZONE	LTR	DESCRIPTION	DATE	APPROVED
B-3	A	REV. P/N 859526 WAS -1, -2, -3	7/26/77	M.G.
	B	REV. P/N 0419-120-04	10-04	CT



RECEPTACLE



PLUG

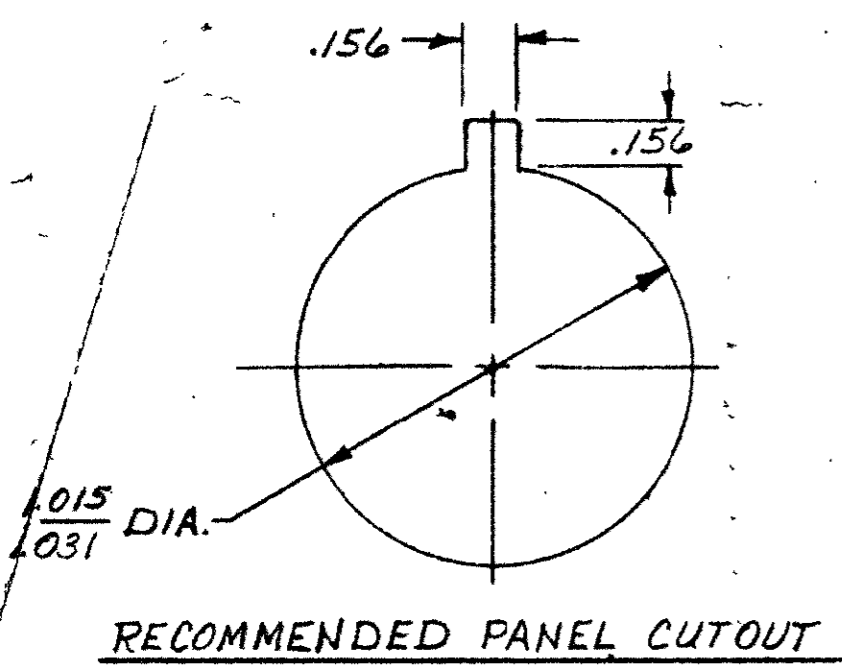


POTTING SHELL

AMP P/N	RECEPTACLE	PLUG	WIRE SIZE RANGE	HAND TOOL
863017-1	859526-4	863022-1	20, 22, 24	45099
863017-2	859526-5	863022-2	18, 16	45098
863017-3	859526-6	863022-3	14	45093

NOTE:

- PINS & SOCKETS SUPPLIED SEPARATELY IN PLASTIC BAG.
- TYPE II PINS & SOCKETS TO ACCEPT ONE (1) 20 AWG, (1) 22 AWG, OR (1) 24 AWG STRANDED WIRE
- TYPE II PINS & SOCKETS TO ACCEPT ONE (1) 16 AWG OR (1) 18 AWG STRANDED WIRE
- TYPE II PINS & SOCKETS TO ACCEPT ONE (1) 14 AWG STRANDED WIRE.



RECOMMENDED PANEL CUTOUT

QTY REQD	QTY REQD	ITEM NO.	DWG SIZE	PART OR IDENTIFYING NO.	NOMENCLATURE OR DESCRIPTION	SYMBOL
-2	-1				PARTS LIST	
CONTRACT NO.					AMP INCORPORATED CAPITRON DIVISION ELIZABETHTOWN, PENNSYLVANIA	
DR DICK STONE 3-1-76					NAME 4 PIN PLUG & RECEPTACLE KIT	
CHK					SIZE C	
APPD 3/1/76					CODE IDENT NO. 00779	
APPD					NUMBER 863017	
DSGN APPD					SCALE 2-1	
OTHER APPD					SHEET 10 OF 11	
FINISH: BLACK					RED B	

Mouser Electronics

Authorized Distributor

Click to View Pricing, Inventory, Delivery & Lifecycle Information:

[TE Connectivity:](#)

[863017-3](#)