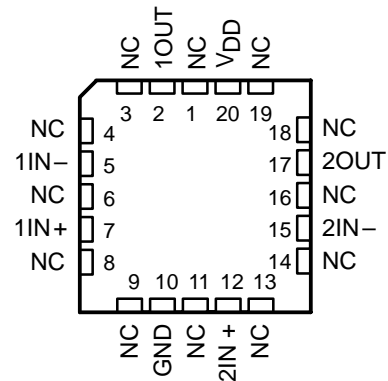


- **Trimmed Offset Voltage:**  
 TLC277 . . . 500  $\mu\text{V}$  Max at 25°C,  
 $V_{\text{DD}} = 5\text{ V}$
- **Input Offset Voltage Drift . . . Typically**  
 0.1  $\mu\text{V}/\text{Month}$ , Including the First 30 Days
- **Wide Range of Supply Voltages Over Specified Temperature Range:**  
 0°C to 70°C . . . 3 V to 16 V  
 -40°C to 85°C . . . 4 V to 16 V  
 -55°C to 125°C . . . 4 V to 16 V
- **Single-Supply Operation**
- **Common-Mode Input Voltage Range Extends Below the Negative Rail (C-Suffix, I-Suffix types)**
- **Low Noise . . . Typically 25 nV/ $\sqrt{\text{Hz}}$  at  $f = 1\text{ kHz}$**
- **Output Voltage Range Includes Negative Rail**
- **High Input impedance . . .  $10^{12}\ \Omega$  Typ**
- **ESD-Protection Circuitry**
- **Small-Outline Package Option Also Available in Tape and Reel**
- **Designed-In Latch-Up Immunity**

D, JG, P, OR PW PACKAGE  
 (TOP VIEW)



FK PACKAGE  
 (TOP VIEW)



NC – No internal connection

**description**

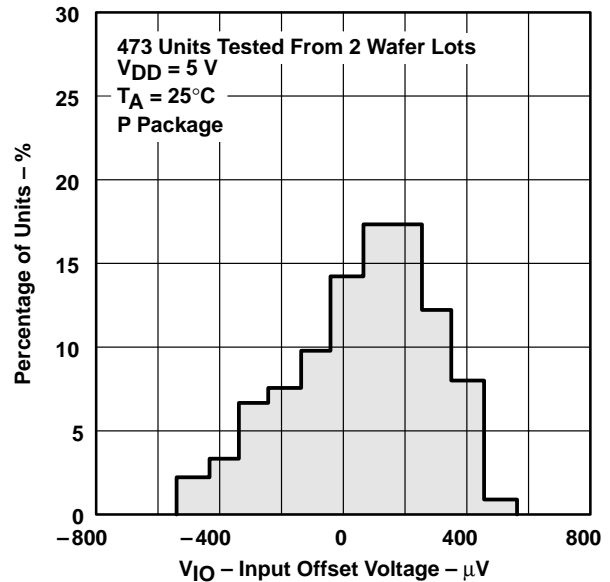
The TLC272 and TLC277 precision dual operational amplifiers combine a wide range of input offset voltage grades with low offset voltage drift, high input impedance, low noise, and speeds approaching those of general-purpose BiFET devices.

These devices use Texas Instruments silicon-gate LinCMOS™ technology, which provides offset voltage stability far exceeding the stability available with conventional metal-gate processes.

The extremely high input impedance, low bias currents, and high slew rates make these cost-effective devices ideal for applications previously reserved for BiFET and NFET products. Four offset voltage grades are available (C-suffix and I-suffix types), ranging from the low-cost TLC272 (10 mV) to the high-precision TLC277 (500  $\mu\text{V}$ ). These advantages, in combination with good common-mode rejection and supply voltage rejection, make these devices a good choice for new state-of-the-art designs as well as for upgrading existing designs.

LinCMOS is a trademark of Texas Instruments.

**DISTRIBUTION OF TLC277  
 INPUT OFFSET VOLTAGE**



PRODUCTION DATA information is current as of publication date. Products conform to specifications per the terms of Texas Instruments standard warranty. Production processing does not necessarily include testing of all parameters.



# TLC272, TLC272A, TLC272B, TLC272Y, TLC277 LinCMOS™ PRECISION DUAL OPERATIONAL AMPLIFIERS

SLOS091E – OCTOBER 1987 – REVISED FEBRUARY 2002

## description (continued)

| AVAILABLE OPTIONS |                               |                         |                         |                        |                       |               |                     |
|-------------------|-------------------------------|-------------------------|-------------------------|------------------------|-----------------------|---------------|---------------------|
| T <sub>A</sub>    | V <sub>IOMax</sub><br>AT 25°C | PACKAGED DEVICES        |                         |                        |                       |               | CHIP<br>FORM<br>(Y) |
|                   |                               | SMALL<br>OUTLINE<br>(D) | CHIP<br>CARRIER<br>(FK) | CERAMIC<br>DIP<br>(JG) | PLASTIC<br>DIP<br>(P) | TSSOP<br>(PW) |                     |
| 0°C to 70°C       | 500 μV                        | TLC277CD                | —                       | —                      | TLC277CP              | —             | —                   |
|                   | 2 mV                          | TLC272BCD               | —                       | —                      | TLC272BCP             | —             | —                   |
|                   | 5 mV                          | TLC272ACD               | —                       | —                      | TLC272ACP             | —             | —                   |
|                   | 10mV                          | TLC272CD                | —                       | —                      | TLC272CP              | TLC272CPW     | TLC272Y             |
| –40°C to 85°C     | 500 μV                        | TLC277ID                | —                       | —                      | TLC277IP              | —             | —                   |
|                   | 2 mV                          | TLC272BID               | —                       | —                      | TLC272BIP             | —             | —                   |
|                   | 5 mV                          | TLC272AID               | —                       | —                      | TLC272AIP             | —             | —                   |
|                   | 10 mV                         | TLC272ID                | —                       | —                      | TLC272IP              | —             | —                   |

The D package is available taped and reeled. Add R suffix to the device type (e.g., TLC277CDR).

In general, many features associated with bipolar technology are available on LinCMOS™ operational amplifiers without the power penalties of bipolar technology. General applications such as transducer interfacing, analog calculations, amplifier blocks, active filters, and signal buffering are easily designed with the TLC272 and TLC277. The devices also exhibit low voltage single-supply operation, making them ideally suited for remote and inaccessible battery-powered applications. The common-mode input voltage range includes the negative rail.

A wide range of packaging options is available, including small-outline and chip carrier versions for high-density system applications.

The device inputs and outputs are designed to withstand –100-mA surge currents without sustaining latch-up.

The TLC272 and TLC277 incorporate internal ESD-protection circuits that prevent functional failures at voltages up to 2000 V as tested under MIL-STD-883C, Method 3015.2; however, care should be exercised in handling these devices as exposure to ESD may result in the degradation of the device parametric performance.

The C-suffix devices are characterized for operation from 0°C to 70°C. The I-suffix devices are characterized for operation from –40°C to 85°C. The M-suffix devices are characterized for operation over the full military temperature range of –55°C to 125°C.



equivalent schematic (each amplifier)



### TLC272Y chip information

This chip, when properly assembled, displays characteristics similar to the TLC272C. Thermal compression or ultrasonic bonding may be used on the doped-aluminum bonding pads. Chips may be mounted with conductive epoxy or a gold-silicon preform.





# TLC272, TLC272A, TLC272B, TLC272Y, TLC277 LinCMOS™ PRECISION DUAL OPERATIONAL AMPLIFIERS

SLOS091E – OCTOBER 1987 – REVISED FEBRUARY 2002

**electrical characteristics at specified free-air temperature,  $V_{DD} = 5\text{ V}$  (unless otherwise noted)**

| PARAMETER      |   | TEST CONDITIONS                                   |  | $T_A$ †                                     | TLC272C, TLC272AC,<br>TLC272BC, TLC277C |                   |                              | UNIT          |
|----------------|---|---|--|---|---|-------------------|------------------------------|---------------|
|                |   |   |  |   | MIN                                     | TYP               | MAX                          |               |
| $V_{IO}$       | Input offset voltage  | TLC272C   | $V_O = 1.4\text{ V}$ ,<br>$R_S = 50\ \Omega$ | $V_{IC} = 0$ ,<br>$R_L = 10\text{ k}\Omega$ | 25°C                                    | 1.1               | 10                           | mV            |
|                |   |   |  |   | Full range                              |                   | 12                           |               |
|                |   | TLC272AC  | $V_O = 1.4\text{ V}$ ,<br>$R_S = 50\ \Omega$ | $V_{IC} = 0$ ,<br>$R_L = 10\text{ k}\Omega$ | 25°C                                    | 0.9               | 5                            |               |
|                |   |   |  |   | Full range                              |                   | 6.5                          |               |
|                |   | TLC272BC  | $V_O = 1.4\text{ V}$ ,<br>$R_S = 50\ \Omega$ | $V_{IC} = 0$ ,<br>$R_L = 10\text{ k}\Omega$ | 25°C                                    | 230               | 2000                         | $\mu\text{V}$ |
|                |   |   |  |   | Full range                              |                   | 3000                         |               |
|                |   | TLC277C   | $V_O = 1.4\text{ V}$ ,<br>$R_S = 50\ \Omega$ | $V_{IC} = 0$ ,<br>$R_L = 10\text{ k}\Omega$ | 25°C                                    | 200               | 500                          |               |
|                |   |   |  |   | Full range                              |                   | 1500                         |               |
| $\alpha_{VIO}$ | Temperature coefficient of input offset voltage                     |   |  | 25°C to<br>70°C                             | 1.8                                     |                   | $\mu\text{V}/^\circ\text{C}$ |               |
| $I_{IO}$       | Input offset current (see Note 4)                                   | $V_O = 2.5\text{ V}$ ,<br>$V_{IC} = 2.5\text{ V}$ |  | 25°C  | 0.1                                     | 60                | pA                           |               |
| $I_{IB}$       | Input bias current (see Note 4)                                     |   |  | 70°C  | 7                                       | 300               |                              |               |
|                |   |   |  | 25°C  | 0.6                                     | 60                | pA                           |               |
|                |   |   |  | 70°C  | 40                                      | 600               |                              |               |
| $V_{ICR}$      | Common-mode input voltage range<br>(see Note 5)                     |   |  | 25°C  | -0.2<br>to<br>4                         | -0.3<br>to<br>4.2 | V                            |               |
|                |   |   |  | Full range                                  | -0.2<br>to<br>3.5                       |                   | V                            |               |
| $V_{OH}$       | High-level output voltage   | $V_{ID} = 100\text{ mV}$ ,                        | $R_L = 10\text{ k}\Omega$                    | 25°C  | 3.2                                     | 3.8               | V                            |               |
|                |   |   |  | 0°C   | 3                                       | 3.8               |                              |               |
|                |   |   |  | 70°C  | 3                                       | 3.8               |                              |               |
| $V_{OL}$       | Low-level output voltage  | $V_{ID} = -100\text{ mV}$ ,                       | $I_{OL} = 0$                                 | 25°C  |   | 0 50              | mV                           |               |
|                |   |   |  | 0°C   |   | 0 50              |                              |               |
|                |   |   |  | 70°C  |   | 0 50              |                              |               |
| $A_{VD}$       | Large-signal differential voltage amplification                     | $V_O = 0.25\text{ V to }2\text{ V}$ ,             | $R_L = 10\text{ k}\Omega$                    | 25°C  | 5                                       | 23                | V/mV                         |               |
|                |   |   |  | 0°C   | 4                                       | 27                |                              |               |
|                |   |   |  | 70°C  | 4                                       | 20                |                              |               |
| CMRR           | Common-mode rejection ratio   | $V_{IC} = V_{ICRmin}$                             |  | 25°C  | 65                                      | 80                | dB                           |               |
|                |   |   |  | 0°C   | 60                                      | 84                |                              |               |
|                |   |   |  | 70°C  | 60                                      | 85                |                              |               |
| $k_{SVR}$      | Supply-voltage rejection ratio<br>( $\Delta V_{DD}/\Delta V_{IO}$ ) | $V_{DD} = 5\text{ V to }10\text{ V}$ ,            | $V_O = 1.4\text{ V}$                         | 25°C  | 65                                      | 95                | dB                           |               |
|                |   |   |  | 0°C   | 60                                      | 94                |                              |               |
|                |   |   |  | 70°C  | 60                                      | 96                |                              |               |
| $I_{DD}$       | Supply current (two amplifiers)                                     | $V_O = 2.5\text{ V}$ ,<br>No load                 | $V_{IC} = 2.5\text{ V}$ ,                    | 25°C  | 1.4                                     | 3.2               | mA                           |               |
|                |   |   |  | 0°C   | 1.6                                     | 3.6               |                              |               |
|                |   |   |  | 70°C  | 1.2                                     | 2.6               |                              |               |

† Full range is 0°C to 70°C.

NOTES: 4. The typical values of input bias current and input offset current below 5 pA were determined mathematically.

5. This range also applies to each input individually.



# TLC272, TLC272A, TLC272B, TLC272Y, TLC277 LinCMOS™ PRECISION DUAL OPERATIONAL AMPLIFIERS

SLOS091E – OCTOBER 1987 – REVISED FEBRUARY 2002

## electrical characteristics at specified free-air temperature, $V_{DD} = 10\text{ V}$ (unless otherwise noted)

| PARAMETER      |  | TEST CONDITIONS                               |  | $T_A$ †                                     | TLC272C, TLC272AC,<br>TLC272BC, TLC277C |             |                              | UNIT |
|----------------|--|---|--|---|---|-------------|------------------------------|------|
|                |  |   |  |   | MIN                                     | TYP         | MAX                          |      |
| $V_{IO}$       | Input offset voltage   | TLC272C                                       | $V_O = 1.4\text{ V}$ ,<br>$R_S = 50\ \Omega$ | $V_{IC} = 0$ ,<br>$R_L = 10\text{ k}\Omega$ | 25°C                                    | 1.1         | 10                           | mV   |
|                |  |   |  |   | Full range                              |             | 12                           |      |
|                | TLC272AC   | $V_O = 1.4\text{ V}$ ,<br>$R_S = 50\ \Omega$  | $V_{IC} = 0$ ,<br>$R_L = 10\text{ k}\Omega$  | 25°C  | 0.9                                     | 5           | mV                           |      |
|                |  |   |  | Full range                                  |   | 6.5         |                              |      |
|                | TLC272BC   | $V_O = 1.4\text{ V}$ ,<br>$R_S = 50\ \Omega$  | $V_{IC} = 0$ ,<br>$R_L = 10\text{ k}\Omega$  | 25°C  | 290                                     | 2000        | $\mu\text{V}$                |      |
|                |  |   |  | Full range                                  |   | 3000        |                              |      |
|                | TLC277C  | $V_O = 1.4\text{ V}$ ,<br>$R_S = 50\ \Omega$  | $V_{IC} = 0$ ,<br>$R_L = 10\text{ k}\Omega$  | 25°C  | 250                                     | 800         | $\mu\text{V}$                |      |
|                |  |   |  | Full range                                  |   | 1900        |                              |      |
| $\alpha_{VIO}$ | Temperature coefficient of input offset voltage                  |   |  | 25°C to 70°C                                | 2                                       |             | $\mu\text{V}/^\circ\text{C}$ |      |
| $I_{IO}$       | Input offset current (see Note 4)                                | $V_O = 5\text{ V}$ ,<br>$V_{IC} = 5\text{ V}$ |  | 25°C  | 0.1                                     | 60          | pA                           |      |
| $I_{IB}$       | Input bias current (see Note 4)                                  |   |  | 70°C  | 7                                       | 300         |                              |      |
|                |  |   |  | 25°C  | 0.7                                     | 60          | pA                           |      |
| 70°C           | 50   |   |  | 600   |   |             |                              |      |
| $V_{ICR}$      | Common-mode input voltage range (see Note 5)                     |   |  | 25°C  | -0.2 to 9                               | -0.3 to 9.2 | V                            |      |
|                |  |   |  | Full range                                  | -0.2 to 8.5                             |             | V                            |      |
| $V_{OH}$       | High-level output voltage  | $V_{ID} = 100\text{ mV}$ ,                    | $R_L = 10\text{ k}\Omega$                    | 25°C  | 8                                       | 8.5         | V                            |      |
|                |  |   |  | 0°C   | 7.8                                     | 8.5         |                              |      |
|                |  |   |  | 70°C  | 7.8                                     | 8.4         |                              |      |
| $V_{OL}$       | Low-level output voltage   | $V_{ID} = -100\text{ mV}$ ,                   | $I_{OL} = 0$                                 | 25°C  | 0                                       | 50          | mV                           |      |
|                |  |   |  | 0°C   | 0                                       | 50          |                              |      |
|                |  |   |  | 70°C  | 0                                       | 50          |                              |      |
| $A_{VD}$       | Large-signal differential voltage amplification                  | $V_O = 1\text{ V to }6\text{ V}$ ,            | $R_L = 10\text{ k}\Omega$                    | 25°C  | 10                                      | 36          | V/mV                         |      |
|                |  |   |  | 0°C   | 7.5                                     | 42          |                              |      |
|                |  |   |  | 70°C  | 7.5                                     | 32          |                              |      |
| CMRR           | Common-mode rejection ratio                                      | $V_{IC} = V_{ICRmin}$                         |  | 25°C  | 65                                      | 85          | dB                           |      |
|                |  |   |  | 0°C   | 60                                      | 88          |                              |      |
|                |  |   |  | 70°C  | 60                                      | 88          |                              |      |
| $k_{SVR}$      | Supply-voltage rejection ratio ( $\Delta V_{DD}/\Delta V_{IO}$ ) | $V_{DD} = 5\text{ V to }10\text{ V}$ ,        | $V_O = 1.4\text{ V}$                         | 25°C  | 65                                      | 95          | dB                           |      |
|                |  |   |  | 0°C   | 60                                      | 94          |                              |      |
|                |  |   |  | 70°C  | 60                                      | 96          |                              |      |
| $I_{DD}$       | Supply current (two amplifiers)                                  | $V_O = 5\text{ V}$ ,<br>No load               | $V_{IC} = 5\text{ V}$ ,                      | 25°C  | 1.9                                     | 4           | mA                           |      |
|                |  |   |  | 0°C   | 2.3                                     | 4.4         |                              |      |
|                |  |   |  | 70°C  | 1.6                                     | 3.4         |                              |      |

† Full range is 0°C to 70°C.

NOTES: 4. The typical values of input bias current and input offset current below 5 pA were determined mathematically.

5. This range also applies to each input individually.



# TLC272, TLC272A, TLC272B, TLC272Y, TLC277 LinCMOS™ PRECISION DUAL OPERATIONAL AMPLIFIERS

SLOS091E – OCTOBER 1987 – REVISED FEBRUARY 2002

**electrical characteristics at specified free-air temperature,  $V_{DD} = 5\text{ V}$  (unless otherwise noted)**

| PARAMETER      |  | TEST CONDITIONS   |  | $T_A$ †                                     | TLC272I, TLC272AI,<br>TLC272BI, TLC277I |             |                              | UNIT          |
|----------------|--|---|--|---|---|-------------|------------------------------|---------------|
|                |  |   |  |   | MIN                                     | TYP         | MAX                          |               |
| $V_{IO}$       | Input offset voltage   | TLC272I   | $V_O = 1.4\text{ V}$ ,<br>$R_S = 50\ \Omega$ | $V_{IC} = 0$ ,<br>$R_L = 10\text{ k}\Omega$ | 25°C                                    | 1.1         | 10                           | mV            |
|                |  |   |  |   | Full range                              |             | 13                           |               |
|                |  | TLC272AI  | $V_O = 1.4\text{ V}$ ,<br>$R_S = 50\ \Omega$ | $V_{IC} = 0$ ,<br>$R_L = 10\text{ k}\Omega$ | 25°C                                    | 0.9         | 5                            |               |
|                |  |   |  |   | Full range                              |             | 7                            |               |
|                |  | TLC272BI  | $V_O = 1.4\text{ V}$ ,<br>$R_S = 50\ \Omega$ | $V_{IC} = 0$ ,<br>$R_L = 10\text{ k}\Omega$ | 25°C                                    | 230         | 2000                         | $\mu\text{V}$ |
|                |  |   |  |   | Full range                              |             | 3500                         |               |
|                |  | TLC277I   | $V_O = 1.4\text{ V}$ ,<br>$R_S = 50\ \Omega$ | $V_{IC} = 0$ ,<br>$R_L = 10\text{ k}\Omega$ | 25°C                                    | 200         | 500                          |               |
|                |  |   |  |   | Full range                              |             | 2000                         |               |
| $\alpha_{VIO}$ | Temperature coefficient of input offset voltage                  |   |  | 25°C to 85°C                                | 1.8                                     |             | $\mu\text{V}/^\circ\text{C}$ |               |
| $I_{IO}$       | Input offset current (see Note 4)                                | $V_O = 2.5\text{ V}$ ,<br>$V_{IC} = 2.5\text{ V}$               |  | 25°C  | 0.1                                     | 60          | pA                           |               |
| $I_{IB}$       | Input bias current (see Note 4)                                  |   |  | 85°C  | 24                                      | 15          |                              |               |
|                |  |   |  | 25°C  | 0.6                                     | 60          | pA                           |               |
|                |  |   |  | 85°C  | 200                                     | 35          |                              |               |
| $V_{ICR}$      | Common-mode input voltage range (see Note 5)                     |   |  | 25°C  | -0.2 to 4                               | -0.3 to 4.2 | V                            |               |
|                |  |   |  | Full range                                  | -0.2 to 3.5                             |             | V                            |               |
| $V_{OH}$       | High-level output voltage  | $V_{ID} = 100\text{ mV}$ ,<br>$R_L = 10\text{ k}\Omega$         |  | 25°C  | 3.2                                     | 3.8         | V                            |               |
|                |  |   |  | -40°C                                       | 3                                       | 3.8         |                              |               |
|                |  |   |  | 85°C  | 3                                       | 3.8         |                              |               |
| $V_{OL}$       | Low-level output voltage   | $V_{ID} = -100\text{ mV}$ ,<br>$I_{OL} = 0$                     |  | 25°C  |   | 0 50        | mV                           |               |
|                |  |   |  | -40°C                                       |   | 0 50        |                              |               |
|                |  |   |  | 85°C  |   | 0 50        |                              |               |
| $A_{VD}$       | Large-signal differential voltage amplification                  | $V_O = 1\text{ V to }6\text{ V}$ ,<br>$R_L = 10\text{ k}\Omega$ |  | 25°C  | 5                                       | 23          | V/mV                         |               |
|                |  |   |  | -40°C                                       | 3.5                                     | 32          |                              |               |
|                |  |   |  | 85°C  | 3.5                                     | 19          |                              |               |
| CMRR           | Common-mode rejection ratio                                      | $V_{IC} = V_{ICR\text{min}}$                                    |  | 25°C  | 65                                      | 80          | dB                           |               |
|                |  |   |  | -40°C                                       | 60                                      | 81          |                              |               |
|                |  |   |  | 85°C  | 60                                      | 86          |                              |               |
| $k_{SVR}$      | Supply-voltage rejection ratio ( $\Delta V_{DD}/\Delta V_{IO}$ ) | $V_{DD} = 5\text{ V to }10\text{ V}$ ,<br>$V_O = 1.4\text{ V}$  |  | 25°C  | 65                                      | 95          | dB                           |               |
|                |  |   |  | -40°C                                       | 60                                      | 92          |                              |               |
|                |  |   |  | 85°C  | 60                                      | 96          |                              |               |
| $I_{DD}$       | Supply current (two amplifiers)                                  | $V_O = 2.5\text{ V}$ ,<br>No load                               | $V_{IC} = 2.5\text{ V}$                      | 25°C  | 1.4                                     | 3.2         | mA                           |               |
|                |  |   |  | -40°C                                       | 1.9                                     | 4.4         |                              |               |
|                |  |   |  | 85°C  | 1.1                                     | 2.4         |                              |               |

† Full range is -40°C to 85°C.

NOTES: 4. The typical values of input bias current and input offset current below 5 pA were determined mathematically.

5. This range also applies to each input individually.



# TLC272, TLC272A, TLC272B, TLC272Y, TLC277 LinCMOS™ PRECISION DUAL OPERATIONAL AMPLIFIERS

SLOS091E – OCTOBER 1987 – REVISED FEBRUARY 2002

## electrical characteristics at specified free-air temperature, $V_{DD} = 10\text{ V}$ (unless otherwise noted)

| PARAMETER      |   | TEST CONDITIONS                               |  | $T_A$ †                                     | TLC272I, TLC272AI,<br>TLC272BI, TLC277I |                   |                              | UNIT |
|----------------|---|---|--|---|---|-------------------|------------------------------|------|
|                |   |   |  |   | MIN                                     | TYP               | MAX                          |      |
| $V_{IO}$       | Input offset voltage  | TLC272I                                       | $V_O = 1.4\text{ V}$ ,<br>$R_S = 50\ \Omega$ | $V_{IC} = 0$ ,<br>$R_L = 10\text{ k}\Omega$ | 25°C                                    | 1.1               | 10                           | mV   |
|                |   |   |  |   | Full range                              |                   | 13                           |      |
|                | TLC272AI  | $V_O = 1.4\text{ V}$ ,<br>$R_S = 50\ \Omega$  | $V_{IC} = 0$ ,<br>$R_L = 10\text{ k}\Omega$  | 25°C  | 0.9                                     | 5                 |                              |      |
|                |   |   |  | Full range                                  |   | 7                 |                              |      |
|                | TLC272BI  | $V_O = 1.4\text{ V}$ ,<br>$R_S = 50\ \Omega$  | $V_{IC} = 0$ ,<br>$R_L = 10\text{ k}\Omega$  | 25°C  | 290                                     | 2000              | $\mu\text{V}$                |      |
|                |   |   |  | Full range                                  |   | 3500              |                              |      |
|                | TLC277I   | $V_O = 1.4\text{ V}$ ,<br>$R_S = 50\ \Omega$  | $V_{IC} = 0$ ,<br>$R_L = 10\text{ k}\Omega$  | 25°C  | 250                                     | 800               |                              |      |
|                |   |   |  | Full range                                  |   | 2900              |                              |      |
| $\alpha_{VIO}$ | Temperature coefficient of input offset voltage                     |   |  | 25°C to 85°C                                | 2                                       |                   | $\mu\text{V}/^\circ\text{C}$ |      |
| $I_{IO}$       | Input offset current (see Note 4)                                   | $V_O = 5\text{ V}$ ,<br>$V_{IC} = 5\text{ V}$ |  | 25°C  | 0.1                                     | 60                | pA                           |      |
| $I_{IB}$       | Input bias current (see Note 4)                                     |   |  | 85°C  | 26                                      | 1000              |                              |      |
|                |   |   |  | 25°C  | 0.7                                     | 60                | pA                           |      |
| 85°C           | 220   |   |  | 2000  |   |                   |                              |      |
| $V_{ICR}$      | Common-mode input voltage range<br>(see Note 5)                     |   |  | 25°C  | -0.2<br>to<br>9                         | -0.3<br>to<br>9.2 | V                            |      |
|                |   |   |  | Full range                                  | -0.2<br>to<br>8.5                       |                   | V                            |      |
| $V_{OH}$       | High-level output voltage   | $V_{ID} = 100\text{ mV}$ ,                    | $R_L = 10\text{ k}\Omega$                    | 25°C  | 8                                       | 8.5               | V                            |      |
|                |   |   |  | -40°C                                       | 7.8                                     | 8.5               |                              |      |
|                |   |   |  | 85°C  | 7.8                                     | 8.5               |                              |      |
| $V_{OL}$       | Low-level output voltage  | $V_{ID} = -100\text{ mV}$ ,                   | $I_{OL} = 0$                                 | 25°C  | 0                                       | 50                | mV                           |      |
|                |   |   |  | -40°C                                       | 0                                       | 50                |                              |      |
|                |   |   |  | 85°C  | 0                                       | 50                |                              |      |
| $A_{VD}$       | Large-signal differential voltage amplification                     | $V_O = 1\text{ V to }6\text{ V}$ ,            | $R_L = 10\text{ k}\Omega$                    | 25°C  | 10                                      | 36                | V/mV                         |      |
|                |   |   |  | -40°C                                       | 7                                       | 46                |                              |      |
|                |   |   |  | 85°C  | 7                                       | 31                |                              |      |
| CMRR           | Common-mode rejection ratio   | $V_{IC} = V_{ICRmin}$                         |  | 25°C  | 65                                      | 85                | dB                           |      |
|                |   |   |  | -40°C                                       | 60                                      | 87                |                              |      |
|                |   |   |  | 85°C  | 60                                      | 88                |                              |      |
| $k_{SVR}$      | Supply-voltage rejection ratio<br>( $\Delta V_{DD}/\Delta V_{IO}$ ) | $V_{DD} = 5\text{ V to }10\text{ V}$ ,        | $V_O = 1.4\text{ V}$                         | 25°C  | 65                                      | 95                | dB                           |      |
|                |   |   |  | -40°C                                       | 60                                      | 92                |                              |      |
|                |   |   |  | 85°C  | 60                                      | 96                |                              |      |
| $I_{DD}$       | Supply current (two amplifiers)                                     | $V_O = 5\text{ V}$ ,<br>No load               | $V_{IC} = 5\text{ V}$ ,                      | 25°C  | 1.4                                     | 4                 | mA                           |      |
|                |   |   |  | -40°C                                       | 2.8                                     | 5                 |                              |      |
|                |   |   |  | 85°C  | 1.5                                     | 3.2               |                              |      |

† Full range is -40°C to 85°C.

NOTES: 4. The typical values of input bias current and input offset current below 5 pA were determined mathematically.

5. This range also applies to each input individually.





# TLC272, TLC272A, TLC272B, TLC272Y, TLC277 LinCMOS™ PRECISION DUAL OPERATIONAL AMPLIFIERS

SLOS091E – OCTOBER 1987 – REVISED FEBRUARY 2002

**electrical characteristics at specified free-air temperature,  $V_{DD} = 5\text{ V}$  (unless otherwise noted)**

| PARAMETER      |  | TEST CONDITIONS                        |  | $T_A$ †                                     | TLC272M, TLC277M |             |                              | UNIT          |
|----------------|--|--|--|---|------------------|-------------|------------------------------|---------------|
|                |  |  |  |   | MIN              | TYP         | MAX                          |               |
| $V_{IO}$       | Input offset voltage   | TLC272M                                | $V_O = 1.4\text{ V}$ ,<br>$R_S = 50\ \Omega$ , | $V_{IC} = 0$ ,<br>$R_L = 10\text{ k}\Omega$ | 25°C             | 1.1         | 10                           | mV            |
|                |  |  |  |   | Full range       |             | 12                           |               |
|                |  | TLC277M                                | $V_O = 1.4\text{ V}$ ,<br>$R_S = 50\ \Omega$ , | $V_{IC} = 0$ ,<br>$R_L = 10\text{ k}\Omega$ | 25°C             | 200         | 500                          | $\mu\text{V}$ |
|                |  |  |  |   | Full range       |             | 3750                         |               |
| $\alpha_{VIO}$ | Temperature coefficient of input offset voltage                  |  |  | 25°C to 125°C                               | 2.1              |             | $\mu\text{V}/^\circ\text{C}$ |               |
| $I_{IO}$       | Input offset current (see Note 4)                                | $V_O = 2.5\text{ V}$                   | $V_{IC} = 2.5\text{ V}$                        | 25°C  | 0.1              | 60          | pA                           |               |
|                |  |  |  | 125°C                                       | 1.4              | 15          | nA                           |               |
| $I_{IB}$       | Input bias current (see Note 4)                                  |  |  | 25°C  | 0.6              | 60          | pA                           |               |
|                |  |  |  | 125°C                                       | 9                | 35          | nA                           |               |
| $V_{ICR}$      | Common-mode input voltage range (see Note 5)                     |  |  | 25°C  | 0 to 4           | -0.3 to 4.2 | V                            |               |
|                |  |  |  | Full range                                  | 0 to 3.5         |             | V                            |               |
| $V_{OH}$       | High-level output voltage  | $V_{ID} = 100\text{ mV}$ ,             | $R_L = 10\text{ k}\Omega$                      | 25°C  | 3.2              | 3.8         | V                            |               |
|                |  |  |  | -55°C                                       | 3                | 3.8         |                              |               |
|                |  |  |  | 125°C                                       | 3                | 3.8         |                              |               |
| $V_{OL}$       | Low-level output voltage   | $V_{ID} = -100\text{ mV}$ ,            | $I_{OL} = 0$                                   | 25°C  | 0                | 50          | mV                           |               |
|                |  |  |  | -55°C                                       | 0                | 50          |                              |               |
|                |  |  |  | 125°C                                       | 0                | 50          |                              |               |
| $A_{VD}$       | Large-signal differential voltage amplification                  | $V_O = 0.25\text{ V to }2\text{ V}$    | $R_L = 10\text{ k}\Omega$                      | 25°C  | 5                | 23          | V/mV                         |               |
|                |  |  |  | -55°C                                       | 3.5              | 35          |                              |               |
|                |  |  |  | 125°C                                       | 3.5              | 16          |                              |               |
| CMRR           | Common-mode rejection ratio                                      | $V_{IC} = V_{ICRmin}$                  |  | 25°C  | 65               | 80          | dB                           |               |
|                |  |  |  | -55°C                                       | 60               | 81          |                              |               |
|                |  |  |  | 125°C                                       | 60               | 84          |                              |               |
| $k_{SVR}$      | Supply-voltage rejection ratio ( $\Delta V_{DD}/\Delta V_{IO}$ ) | $V_{DD} = 5\text{ V to }10\text{ V}$ , | $V_O = 1.4\text{ V}$                           | 25°C  | 65               | 95          | dB                           |               |
|                |  |  |  | -55°C                                       | 60               | 90          |                              |               |
|                |  |  |  | 125°C                                       | 60               | 97          |                              |               |
| $I_{DD}$       | Supply current (two amplifiers)                                  | $V_O = 2.5\text{ V}$ ,<br>No load      | $V_{IC} = 2.5\text{ V}$ ,                      | 25°C  | 1.4              | 3.2         | mA                           |               |
|                |  |  |  | -55°C                                       | 2                | 5           |                              |               |
|                |  |  |  | 125°C                                       | 1                | 2.2         |                              |               |

† Full range is -55°C to 125°C.

- NOTES: 4. The typical values of input bias current and input offset current below 5 pA were determined mathematically.  
5. This range also applies to each input individually.



# TLC272, TLC272A, TLC272B, TLC272Y, TLC277 LinCMOS™ PRECISION DUAL OPERATIONAL AMPLIFIERS

SLOS091E – OCTOBER 1987 – REVISED FEBRUARY 2002

## electrical characteristics at specified free-air temperature, $V_{DD} = 10\text{ V}$ (unless otherwise noted)

| PARAMETER      |  | TEST CONDITIONS                        |  | $T_A$ †                                     | TLC272M, TLC277M |             |                              | UNIT          |
|----------------|--|--|--|---|------------------|-------------|------------------------------|---------------|
|                |  |  |  |   | MIN              | TYP         | MAX                          |               |
| $V_{IO}$       | Input offset voltage   | TLC272M                                | $V_O = 1.4\text{ V}$ ,<br>$R_S = 50\ \Omega$ | $V_{IC} = 0$ ,<br>$R_L = 10\text{ k}\Omega$ | 25°C             | 1.1         | 10                           | mV            |
|                |  |  |  |   | Full range       |             | 12                           |               |
|                |  | TLC277M                                | $V_O = 1.4\text{ V}$ ,<br>$R_S = 50\ \Omega$ | $V_{IC} = 0$ ,<br>$R_L = 10\text{ k}\Omega$ | 25°C             | 250         | 800                          | $\mu\text{V}$ |
|                |  |  |  |   | Full range       |             | 4300                         |               |
| $\alpha_{VIO}$ | Temperature coefficient of input offset voltage                  |  |  | 25°C to 125°C                               | 2.2              |             | $\mu\text{V}/^\circ\text{C}$ |               |
| $I_{IO}$       | Input offset current (see Note 4)                                | $V_O = 5\text{ V}$ ,                   | $V_{IC} = 5\text{ V}$                        | 25°C  | 0.1              | 60          | pA                           |               |
|                |  |  |  | 125°C                                       | 1.8              | 15          | nA                           |               |
| $I_{IB}$       | Input bias current (see Note 4)                                  |  |  | 25°C  | 0.7              | 60          | pA                           |               |
|                |  |  |  | 125°C                                       | 10               | 35          | nA                           |               |
| $V_{ICR}$      | Common-mode input voltage range (see Note 5)                     |  |  | 25°C  | 0 to 9           | -0.3 to 9.2 | V                            |               |
|                |  |  |  | Full range                                  | 0 to 8.5         |             | V                            |               |
| $V_{OH}$       | High-level output voltage  | $V_{ID} = 100\text{ mV}$ ,             | $R_L = 10\text{ k}\Omega$                    | 25°C  | 8                | 8.5         | V                            |               |
|                |  |  |  | -55°C                                       | 7.8              | 8.5         |                              |               |
|                |  |  |  | 125°C                                       | 7.8              | 8.4         |                              |               |
| $V_{OL}$       | Low-level output voltage   | $V_{ID} = -100\text{ mV}$ ,            | $I_{OL} = 0$                                 | 25°C  | 0                | 50          | mV                           |               |
|                |  |  |  | -55°C                                       | 0                | 50          |                              |               |
|                |  |  |  | 125°C                                       | 0                | 50          |                              |               |
| $AVD$          | Large-signal differential voltage amplification                  | $V_O = 1\text{ V to }6\text{ V}$ ,     | $R_L = 10\text{ k}\Omega$                    | 25°C  | 10               | 36          | V/mV                         |               |
|                |  |  |  | -55°C                                       | 7                | 50          |                              |               |
|                |  |  |  | 125°C                                       | 7                | 27          |                              |               |
| $CMRR$         | Common-mode rejection ratio                                      | $V_{IC} = V_{ICRmin}$                  |  | 25°C  | 65               | 85          | dB                           |               |
|                |  |  |  | -55°C                                       | 60               | 87          |                              |               |
|                |  |  |  | 125°C                                       | 60               | 86          |                              |               |
| $k_{SVR}$      | Supply-voltage rejection ratio ( $\Delta V_{DD}/\Delta V_{IO}$ ) | $V_{DD} = 5\text{ V to }10\text{ V}$ , | $V_O = 1.4\text{ V}$                         | 25°C  | 65               | 95          | dB                           |               |
|                |  |  |  | -55°C                                       | 60               | 90          |                              |               |
|                |  |  |  | 125°C                                       | 60               | 97          |                              |               |
| $I_{DD}$       | Supply current (two amplifiers)                                  | $V_O = 5\text{ V}$ ,<br>No load        | $V_{IC} = 5\text{ V}$ ,                      | 25°C  | 1.9              | 4           | mA                           |               |
|                |  |  |  | -55°C                                       | 3                | 6           |                              |               |
|                |  |  |  | 125°C                                       | 1.3              | 2.8         |                              |               |

† Full range is -55°C to 125°C.

NOTES: 4. The typical values of input bias current and input offset current below 5 pA were determined mathematically.

5. This range also applies to each input individually.



# TLC272, TLC272A, TLC272B, TLC272Y, TLC277 LinCMOS™ PRECISION DUAL OPERATIONAL AMPLIFIERS

SLOS091E – OCTOBER 1987 – REVISED FEBRUARY 2002

## electrical characteristics, $V_{DD} = 5\text{ V}$ , $T_A = 25^\circ\text{C}$ (unless otherwise noted)

| PARAMETER  | TEST CONDITIONS   | TLC272Y         |                   |     | UNIT                         |
|--|---|-----------------|-------------------|-----|------------------------------|
|  |   | MIN             | TYP               | MAX |                              |
| $V_{IO}$ Input offset voltage  | $V_O = 1.4\text{ V}$ ,<br>$R_S = 50\ \Omega$ ,<br>$V_{IC} = 0$ ,<br>$R_L = 10\text{ k}\Omega$ |                 | 1.1               | 10  | mV                           |
| $\alpha_{V_{IO}}$ Temperature coefficient of input offset voltage          |   |                 | 1.8               |     | $\mu\text{V}/^\circ\text{C}$ |
| $I_{IO}$ Input offset current (see Note 4)                                 | $V_O = 2.5\text{ V}$ ,<br>$V_{IC} = 2.5\text{ V}$   |                 | 0.1               |     | pA                           |
| $I_{IB}$ Input bias current (see Note 4)                                   |   |                 | 0.6               |     | pA                           |
| $V_{ICR}$ Common-mode input voltage range (see Note 5)                     |   | -0.2<br>to<br>4 | -0.3<br>to<br>4.2 |     | V                            |
| $V_{OH}$ High-level output voltage   | $V_{ID} = 100\text{ mV}$ ,<br>$R_L = 10\text{ k}\Omega$                                       | 3.2             | 3.8               |     | V                            |
| $V_{OL}$ Low-level output voltage  | $V_{ID} = -100\text{ mV}$ ,<br>$I_{OL} = 0$   |                 | 0                 | 50  | mV                           |
| $A_{VD}$ Large-signal differential voltage amplification                   | $V_O = 0.25\text{ V to }2\text{ V}$ ,<br>$R_L = 10\text{ k}\Omega$                            | 5               | 23                |     | V/mV                         |
| CMRR Common-mode rejection ratio   | $V_{IC} = V_{ICRmin}$   | 65              | 80                |     | dB                           |
| $k_{SVR}$ Supply-voltage rejection ratio ( $\Delta V_{DD}/\Delta V_{IO}$ ) | $V_{DD} = 5\text{ V to }10\text{ V}$ ,<br>$V_O = 1.4\text{ V}$                                | 65              | 95                |     | dB                           |
| $I_{DD}$ Supply current (two amplifiers)                                   | $V_O = 2.5\text{ V}$ ,<br>No load<br>$V_{IC} = 2.5\text{ V}$                                  |                 | 1.4               | 3.2 | mA                           |

NOTES: 4. The typical values of input bias current and input offset current below 5 pA were determined mathematically.  
5. This range also applies to each input individually.

## electrical characteristics, $V_{DD} = 10\text{ V}$ , $T_A = 25^\circ\text{C}$ (unless otherwise noted)

| PARAMETER  | TEST CONDITIONS   | TLC272Y         |                   |     | UNIT                         |
|--|---|-----------------|-------------------|-----|------------------------------|
|  |   | MIN             | TYP               | MAX |                              |
| $V_{IO}$ Input offset voltage  | $V_O = 1.4\text{ V}$ ,<br>$R_S = 50\ \Omega$ ,<br>$V_{IC} = 0$ ,<br>$R_L = 10\text{ k}\Omega$ |                 | 1.1               | 10  | mV                           |
| $\alpha_{V_{IO}}$ Temperature coefficient of input offset voltage          |   |                 | 1.8               |     | $\mu\text{V}/^\circ\text{C}$ |
| $I_{IO}$ Input offset current (see Note 4)                                 | $V_O = 5\text{ V}$ ,<br>$V_{IC} = 5\text{ V}$   |                 | 0.1               |     | pA                           |
| $I_{IB}$ Input bias current (see Note 4)                                   |   |                 | 0.7               |     | pA                           |
| $V_{ICR}$ Common-mode input voltage range (see Note 5)                     |   | -0.2<br>to<br>9 | -0.3<br>to<br>9.2 |     | V                            |
| $V_{OH}$ High-level output voltage   | $V_{ID} = 100\text{ mV}$ ,<br>$R_L = 10\text{ k}\Omega$                                       | 8               | 8.5               |     | V                            |
| $V_{OL}$ Low-level output voltage  | $V_{ID} = -100\text{ mV}$ ,<br>$I_{OL} = 0$   |                 | 0                 | 50  | mV                           |
| $A_{VD}$ Large-signal differential voltage amplification                   | $V_O = 1\text{ V to }6\text{ V}$ ,<br>$R_L = 10\text{ k}\Omega$                               | 10              | 36                |     | V/mV                         |
| CMRR Common-mode rejection ratio   | $V_{IC} = V_{ICRmin}$   | 65              | 85                |     | dB                           |
| $k_{SVR}$ Supply-voltage rejection ratio ( $\Delta V_{DD}/\Delta V_{IO}$ ) | $V_{DD} = 5\text{ V to }10\text{ V}$ ,<br>$V_O = 1.4\text{ V}$                                | 65              | 95                |     | dB                           |
| $I_{DD}$ Supply current (two amplifiers)                                   | $V_O = 5\text{ V}$ ,<br>No load<br>$V_{IC} = 5\text{ V}$                                      |                 | 1.9               | 4   | mA                           |

NOTES: 4. The typical values of input bias current and input offset current below 5 pA were determined mathematically.  
5. This range also applies to each input individually.



# TLC272, TLC272A, TLC272B, TLC272Y, TLC277 LinCMOS™ PRECISION DUAL OPERATIONAL AMPLIFIERS

SLOS091E – OCTOBER 1987 – REVISED FEBRUARY 2002

## operating characteristics at specified free-air temperature, $V_{DD} = 5\text{ V}$

| PARAMETER                                      | TEST CONDITIONS   |  | $T_A$ | TLC272C, TLC272AC,<br>TLC272BC, TLC277C |     |     | UNIT                   |
|--|---|--|-------|---|-----|-----|------------------------|
|  |   |  |       | MIN                                     | TYP | MAX |                        |
| SR Slew rate at unity gain                     | $R_L = 10\text{ k}\Omega$ ,<br>$C_L = 20\text{ pF}$ ,<br>See Figure 1 | $V_{I\text{PP}} = 1\text{ V}$          | 25°C  | 3.6                                     |     |     | V/ $\mu\text{s}$       |
|  |   |  | 0°C   | 4                                       |     |     |                        |
|  |   |  | 70°C  | 3                                       |     |     |                        |
|  |   | $V_{I\text{PP}} = 2.5\text{ V}$        | 25°C  | 2.9                                     |     |     |                        |
|  |   |  | 0°C   | 3.1                                     |     |     |                        |
|  |   |  | 70°C  | 2.5                                     |     |     |                        |
| $V_n$ Equivalent input noise voltage           | $f = 1\text{ kHz}$ ,<br>See Figure 2                                  | $R_S = 20\ \Omega$                     | 25°C  | 25                                      |     |     | nV/ $\sqrt{\text{Hz}}$ |
| $B_{\text{OM}}$ Maximum output-swing bandwidth | $V_O = V_{\text{OH}}$ ,<br>$R_L = 10\text{ k}\Omega$                  | $C_L = 20\text{ pF}$ ,<br>See Figure 1 | 25°C  | 320                                     |     |     | kHz                    |
|  |   |  | 0°C   | 340                                     |     |     |                        |
|  |   |  | 70°C  | 260                                     |     |     |                        |
| $B_1$ Unity-gain bandwidth                     | $V_I = 10\text{ mV}$ ,<br>See Figure 3                                | $C_L = 20\text{ pF}$                   | 25°C  | 1.7                                     |     |     | MHz                    |
|  |   |  | 0°C   | 2                                       |     |     |                        |
|  |   |  | 70°C  | 1.3                                     |     |     |                        |
| $\phi_m$ Phase margin                          | $V_I = 10\text{ mV}$ ,<br>$C_L = 20\text{ pF}$                        | $f = B_1$ ,<br>See Figure 3            | 25°C  | 46°                                     |     |     |                        |
|  |   |  | 0°C   | 47°                                     |     |     |                        |
|  |   |  | 70°C  | 43°                                     |     |     |                        |

## operating characteristics at specified free-air temperature, $V_{DD} = 10\text{ V}$

| PARAMETER                                      | TEST CONDITIONS   |  | $T_A$ | TLC272C, TLC272AC,<br>TLC272BC, TLC277C |     |     | UNIT                   |
|--|---|--|-------|---|-----|-----|------------------------|
|  |   |  |       | MIN                                     | TYP | MAX |                        |
| SR Slew rate at unity gain                     | $R_L = 10\text{ k}\Omega$ ,<br>$C_L = 20\text{ pF}$ ,<br>See Figure 1 | $V_{I\text{PP}} = 1\text{ V}$          | 25°C  | 5.3                                     |     |     | V/ $\mu\text{s}$       |
|  |   |  | 0°C   | 5.9                                     |     |     |                        |
|  |   |  | 70°C  | 4.3                                     |     |     |                        |
|  |   | $V_{I\text{PP}} = 5.5\text{ V}$        | 25°C  | 4.6                                     |     |     |                        |
|  |   |  | 0°C   | 5.1                                     |     |     |                        |
|  |   |  | 70°C  | 3.8                                     |     |     |                        |
| $V_n$ Equivalent input noise voltage           | $f = 1\text{ kHz}$ ,<br>See Figure 2                                  | $R_S = 20\ \Omega$                     | 25°C  | 25                                      |     |     | nV/ $\sqrt{\text{Hz}}$ |
| $B_{\text{OM}}$ Maximum output-swing bandwidth | $V_O = V_{\text{OH}}$ ,<br>$R_L = 10\text{ k}\Omega$                  | $C_L = 20\text{ pF}$ ,<br>See Figure 1 | 25°C  | 200                                     |     |     | kHz                    |
|  |   |  | 0°C   | 220                                     |     |     |                        |
|  |   |  | 70°C  | 140                                     |     |     |                        |
| $B_1$ Unity-gain bandwidth                     | $V_I = 10\text{ mV}$ ,<br>See Figure 3                                | $C_L = 20\text{ pF}$                   | 25°C  | 2.2                                     |     |     | MHz                    |
|  |   |  | 0°C   | 2.5                                     |     |     |                        |
|  |   |  | 70°C  | 1.8                                     |     |     |                        |
| $\phi_m$ Phase margin                          | $V_I = 10\text{ mV}$ ,<br>$C_L = 20\text{ pF}$                        | $f = B_1$ ,<br>See Figure 3            | 25°C  | 49°                                     |     |     |                        |
|  |   |  | 0°C   | 50°                                     |     |     |                        |
|  |   |  | 70°C  | 46°                                     |     |     |                        |



# TLC272, TLC272A, TLC272B, TLC272Y, TLC277 LinCMOS™ PRECISION DUAL OPERATIONAL AMPLIFIERS

SLOS091E – OCTOBER 1987 – REVISED FEBRUARY 2002

## operating characteristics at specified free-air temperature, $V_{DD} = 5\text{ V}$

| PARAMETER                                      | TEST CONDITIONS  | $T_A$                                  | TLC272I, TLC272AI,<br>TLC272BI, TLC277I |     |                        | UNIT       |
|--|--|--|---|-----|------------------------|------------|
|  |  |  | MIN                                     | TYP | MAX                    |            |
| SR      Slew rate at unity gain                | $R_L = 10\text{ k}\Omega$ ,<br>$C_L = 20\text{ pF}$ ,<br>See Figure 1  | $V_{I\text{PP}} = 1\text{ V}$          | 25°C                                    | 3.6 |                        | V/ $\mu$ s |
|  |  |  | -40°C                                   | 4.5 |                        |            |
|  |  |  | 85°C                                    | 2.8 |                        |            |
|  |  | $V_{I\text{PP}} = 2.5\text{ V}$        | 25°C                                    | 2.9 |                        |            |
|  |  |  | -40°C                                   | 3.5 |                        |            |
|  |  |  | 85°C                                    | 2.3 |                        |            |
| $V_n$ Equivalent input noise voltage           | $f = 1\text{ kHz}$ ,<br>See Figure 2                                   | $R_S = 20\ \Omega$ ,<br>25°C           | 25                                      |     | nV/ $\sqrt{\text{Hz}}$ |            |
| $B_{\text{OM}}$ Maximum output-swing bandwidth | $V_O = V_{\text{OH}}$ ,<br>$R_L = 10\text{ k}\Omega$ ,<br>See Figure 1 | $C_L = 20\text{ pF}$ ,<br>See Figure 1 | 25°C                                    | 320 |                        | kHz        |
|  |  |  | -40°C                                   | 380 |                        |            |
|  |  |  | 85°C                                    | 250 |                        |            |
| $B_1$ Unity-gain bandwidth                     | $V_I = 10\text{ mV}$ ,<br>See Figure 3                                 | $C_L = 20\text{ pF}$ ,                 | 25°C                                    | 1.7 |                        | MHz        |
|  |  |  | -40°C                                   | 2.6 |                        |            |
|  |  |  | 85°C                                    | 1.2 |                        |            |
| $\phi_m$ Phase margin                          | $V_I = 10\text{ mV}$ ,<br>$C_L = 20\text{ pF}$ ,                       | $f = B_1$ ,<br>See Figure 3            | 25°C                                    | 46° |                        |            |
|  |  |  | -40°C                                   | 49° |                        |            |
|  |  |  | 85°C                                    | 43° |                        |            |

## operating characteristics at specified free-air temperature, $V_{DD} = 10\text{ V}$

| PARAMETER                                      | TEST CONDITIONS  | $T_A$                                  | TLC272I, TLC272AI,<br>TLC272BI, TLC277I |     |                        | UNIT       |
|--|--|--|---|-----|------------------------|------------|
|  |  |  | MIN                                     | TYP | MAX                    |            |
| SR      Slew rate at unity gain                | $R_L = 10\text{ k}\Omega$ ,<br>$C_L = 20\text{ pF}$ ,<br>See Figure 1  | $V_{I\text{PP}} = 1\text{ V}$          | 25°C                                    | 5.3 |                        | V/ $\mu$ s |
|  |  |  | -40°C                                   | 6.8 |                        |            |
|  |  |  | 85°C                                    | 4   |                        |            |
|  |  | $V_{I\text{PP}} = 5.5\text{ V}$        | 25°C                                    | 4.6 |                        |            |
|  |  |  | -40°C                                   | 5.8 |                        |            |
|  |  |  | 85°C                                    | 3.5 |                        |            |
| $V_n$ Equivalent input noise voltage           | $f = 1\text{ kHz}$ ,<br>See Figure 2                                   | $R_S = 20\ \Omega$ ,<br>25°C           | 25                                      |     | nV/ $\sqrt{\text{Hz}}$ |            |
| $B_{\text{OM}}$ Maximum output-swing bandwidth | $V_O = V_{\text{OH}}$ ,<br>$R_L = 10\text{ k}\Omega$ ,<br>See Figure 1 | $C_L = 20\text{ pF}$ ,<br>See Figure 1 | 25°C                                    | 200 |                        | kHz        |
|  |  |  | -40°C                                   | 260 |                        |            |
|  |  |  | 85°C                                    | 130 |                        |            |
| $B_1$ Unity-gain bandwidth                     | $V_I = 10\text{ mV}$ ,<br>See Figure 3                                 | $C_L = 20\text{ pF}$ ,                 | 25°C                                    | 2.2 |                        | MHz        |
|  |  |  | -40°C                                   | 3.1 |                        |            |
|  |  |  | 85°C                                    | 1.7 |                        |            |
| $\phi_m$ Phase margin                          | $V_I = 10\text{ mV}$ ,<br>$C_L = 20\text{ pF}$ ,                       | $f = B_1$ ,<br>See Figure 3            | 25°C                                    | 49° |                        |            |
|  |  |  | -40°C                                   | 52° |                        |            |
|  |  |  | 85°C                                    | 46° |                        |            |



# TLC272, TLC272A, TLC272B, TLC272Y, TLC277 LinCMOS™ PRECISION DUAL OPERATIONAL AMPLIFIERS

SLOS091E – OCTOBER 1987 – REVISED FEBRUARY 2002

## operating characteristics at specified free-air temperature, $V_{DD} = 5\text{ V}$

| PARAMETER                               | TEST CONDITIONS   |  | $T_A$ | TLC272M, TLC277M |     |                        | UNIT |
|---|---|--|-------|------------------|-----|------------------------|------|
|   |   |  |       | MIN              | TYP | MAX                    |      |
| SR Slew rate at unity gain              | $R_L = 10\text{ k}\Omega$ ,<br>$C_L = 20\text{ pF}$ ,<br>See Figure 1 | $V_{I\text{PP}} = 1\text{ V}$          | 25°C  | 3.6              |     | V/ $\mu\text{s}$       |      |
|   |   |  | -55°C | 4.7              |     |                        |      |
|   |   |  | 125°C | 2.3              |     |                        |      |
|   |   | $V_{I\text{PP}} = 2.5\text{ V}$        | 25°C  | 2.9              |     |                        |      |
|   |   |  | -55°C | 3.7              |     |                        |      |
|   |   |  | 125°C | 2                |     |                        |      |
| $V_n$ Equivalent input noise voltage    | $f = 1\text{ kHz}$ ,<br>See Figure 2                                  | $R_S = 20\ \Omega$                     | 25°C  | 25               |     | nV/ $\sqrt{\text{Hz}}$ |      |
| $B_{OM}$ Maximum output-swing bandwidth | $V_O = V_{OH}$ ,<br>$R_L = 10\text{ k}\Omega$                         | $C_L = 20\text{ pF}$ ,<br>See Figure 1 | 25°C  | 320              |     | kHz                    |      |
|   |   |  | -55°C | 400              |     |                        |      |
|   |   |  | 125°C | 230              |     |                        |      |
| $B_1$ Unity-gain bandwidth              | $V_I = 10\text{ mV}$ ,<br>See Figure 3                                | $C_L = 20\text{ pF}$                   | 25°C  | 1.7              |     | MHz                    |      |
|   |   |  | -55°C | 2.9              |     |                        |      |
|   |   |  | 125°C | 1.1              |     |                        |      |
| $\phi_m$ Phase margin                   | $V_I = 10\text{ mV}$ ,<br>$C_L = 20\text{ pF}$                        | $f = B_1$ ,<br>See Figure 3            | 25°C  | 46°              |     |                        |      |
|   |   |  | -55°C | 49°              |     |                        |      |
|   |   |  | 125°C | 41°              |     |                        |      |

## operating characteristics at specified free-air temperature, $V_{DD} = 10\text{ V}$

| PARAMETER                               | TEST CONDITIONS   |  | $T_A$ | TLC272M, TLC277M |     |                        | UNIT |
|---|---|--|-------|------------------|-----|------------------------|------|
|   |   |  |       | MIN              | TYP | MAX                    |      |
| SR Slew rate at unity gain              | $R_L = 10\text{ k}\Omega$ ,<br>$C_L = 20\text{ pF}$ ,<br>See Figure 1 | $V_{I\text{PP}} = 1\text{ V}$          | 25°C  | 5.3              |     | V/ $\mu\text{s}$       |      |
|   |   |  | -55°C | 7.1              |     |                        |      |
|   |   |  | 125°C | 3.1              |     |                        |      |
|   |   | $V_{I\text{PP}} = 5.5\text{ V}$        | 25°C  | 4.6              |     |                        |      |
|   |   |  | -55°C | 6.1              |     |                        |      |
|   |   |  | 125°C | 2.7              |     |                        |      |
| $V_n$ Equivalent input noise voltage    | $f = 1\text{ kHz}$ ,<br>See Figure 2                                  | $R_S = 20\ \Omega$                     | 25°C  | 25               |     | nV/ $\sqrt{\text{Hz}}$ |      |
| $B_{OM}$ Maximum output-swing bandwidth | $V_O = V_{OH}$ ,<br>$R_L = 10\text{ k}\Omega$                         | $C_L = 20\text{ pF}$ ,<br>See Figure 1 | 25°C  | 200              |     | kHz                    |      |
|   |   |  | -55°C | 280              |     |                        |      |
|   |   |  | 125°C | 110              |     |                        |      |
| $B_1$ Unity-gain bandwidth              | $V_I = 10\text{ mV}$ ,<br>See Figure 3                                | $C_L = 20\text{ pF}$                   | 25°C  | 2.2              |     | MHz                    |      |
|   |   |  | -55°C | 3.4              |     |                        |      |
|   |   |  | 125°C | 1.6              |     |                        |      |
| $\phi_m$ Phase margin                   | $V_I = 10\text{ mV}$ ,<br>$C_L = 20\text{ pF}$                        | $f = B_1$ ,<br>See Figure 3            | 25°C  | 49°              |     |                        |      |
|   |   |  | -55°C | 52°              |     |                        |      |
|   |   |  | 125°C | 44°              |     |                        |      |



# TLC272, TLC272A, TLC272B, TLC272Y, TLC277 LinCMOS™ PRECISION DUAL OPERATIONAL AMPLIFIERS

SLOS091E – OCTOBER 1987 – REVISED FEBRUARY 2002

## operating characteristics, $V_{DD} = 5\text{ V}$ , $T_A = 25^\circ\text{C}$

| PARAMETER       |                                | TEST CONDITIONS                             |                        |                                 | TLC272Y |     |                              | UNIT |
|-----------------|--------------------------------|---|------------------------|---------------------------------|---------|-----|------------------------------|------|
|                 |                                |   |                        |                                 | MIN     | TYP | MAX                          |      |
| SR              | Slew rate at unity gain        | $R_L = 10\text{ k}\Omega$ ,<br>See Figure 1 | $C_L = 20\text{ pF}$ , | $V_{I\text{PP}} = 1\text{ V}$   | 3.6     |     | $\text{V}/\mu\text{s}$       |      |
|                 |                                |   |                        | $V_{I\text{PP}} = 2.5\text{ V}$ | 2.9     |     |                              |      |
| $V_n$           | Equivalent input noise voltage | $f = 1\text{ kHz}$ ,                        | $R_S = 20\ \Omega$ ,   | See Figure 2                    |         | 25  | $\text{nV}/\sqrt{\text{Hz}}$ |      |
| $B_{\text{OM}}$ | Maximum output-swing bandwidth | $V_O = V_{\text{OH}}$ ,<br>See Figure 1     | $C_L = 20\text{ pF}$ , | $R_L = 10\text{ k}\Omega$ ,     | 320     |     | kHz                          |      |
| $B_1$           | Unity-gain bandwidth           | $V_I = 10\text{ mV}$ ,                      | $C_L = 20\text{ pF}$ , | See Figure 3                    |         | 1.7 | MHz                          |      |
| $\phi_m$        | Phase margin                   | $V_I = 10\text{ mV}$ ,<br>See Figure 3      | $f = B_1$ ,            | $C_L = 20\text{ pF}$ ,          | 46°     |     |                              |      |

## operating characteristics, $V_{DD} = 10\text{ V}$ , $T_A = 25^\circ\text{C}$

| PARAMETER       |                                | TEST CONDITIONS                             |                        |                                 | TLC272Y |     |                              | UNIT |
|-----------------|--------------------------------|---|------------------------|---------------------------------|---------|-----|------------------------------|------|
|                 |                                |   |                        |                                 | MIN     | TYP | MAX                          |      |
| SR              | Slew rate at unity gain        | $R_L = 10\text{ k}\Omega$ ,<br>See Figure 1 | $C_L = 20\text{ pF}$ , | $V_{I\text{PP}} = 1\text{ V}$   | 5.3     |     | $\text{V}/\mu\text{s}$       |      |
|                 |                                |   |                        | $V_{I\text{PP}} = 5.5\text{ V}$ | 4.6     |     |                              |      |
| $V_n$           | Equivalent input noise voltage | $f = 1\text{ kHz}$ ,                        | $R_S = 20\ \Omega$ ,   | See Figure 2                    |         | 25  | $\text{nV}/\sqrt{\text{Hz}}$ |      |
| $B_{\text{OM}}$ | Maximum output-swing bandwidth | $V_O = V_{\text{OH}}$ ,<br>See Figure 1     | $C_L = 20\text{ pF}$ , | $R_L = 10\text{ k}\Omega$ ,     | 200     |     | kHz                          |      |
| $B_1$           | Unity-gain bandwidth           | $V_I = 10\text{ mV}$ ,                      | $C_L = 20\text{ pF}$ , | See Figure 3                    |         | 2.2 | MHz                          |      |
| $\phi_m$        | Phase margin                   | $V_I = 10\text{ mV}$ ,<br>See Figure 3      | $f = B_1$ ,            | $C_L = 20\text{ pF}$ ,          | 49°     |     |                              |      |



PARAMETER MEASUREMENT INFORMATION

single-supply versus split-supply test circuits

Because the TLC272 and TLC277 are optimized for single-supply operation, circuit configurations used for the various tests often present some inconvenience since the input signal, in many cases, must be offset from ground. This inconvenience can be avoided by testing the device with split supplies and the output load tied to the negative rail. A comparison of single-supply versus split-supply test circuits is shown below. The use of either circuit gives the same result.



Figure 1. Unity-Gain Amplifier

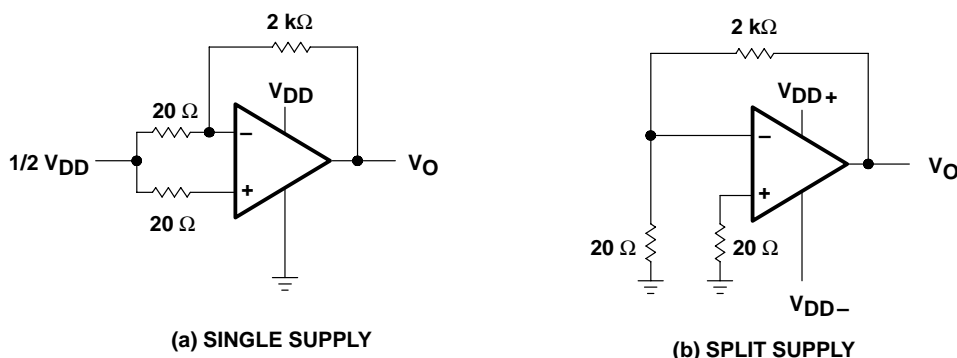


Figure 2. Noise-Test Circuit

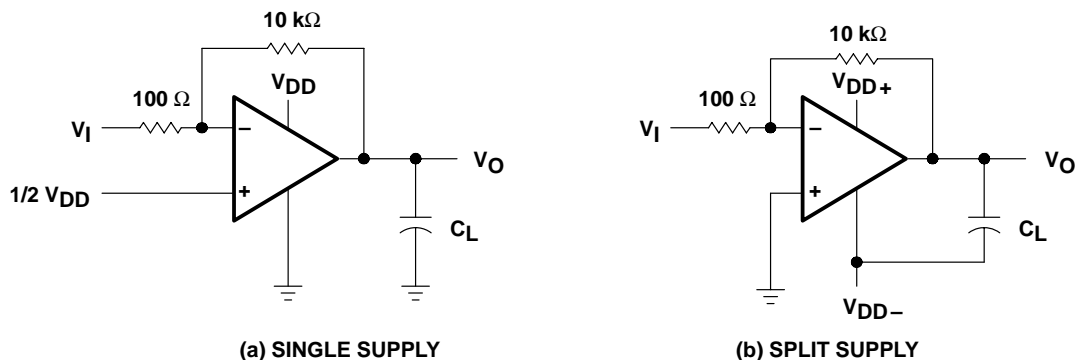


Figure 3. Gain-of-100 Inverting Amplifier



## PARAMETER MEASUREMENT INFORMATION

### input bias current

Because of the high input impedance of the TLC272 and TLC277 operational amplifiers, attempts to measure the input bias current can result in erroneous readings. The bias current at normal room ambient temperature is typically less than 1 pA, a value that is easily exceeded by leakages on the test socket. Two suggestions are offered to avoid erroneous measurements:

1. Isolate the device from other potential leakage sources. Use a grounded shield around and between the device inputs (see Figure 4). Leakages that would otherwise flow to the inputs are shunted away.
2. Compensate for the leakage of the test socket by actually performing an input bias current test (using a picoammeter) with no device in the test socket. The actual input bias current can then be calculated by subtracting the open-socket leakage readings from the readings obtained with a device in the test socket.

One word of caution: many automatic testers as well as some bench-top operational amplifier testers use the servo-loop technique with a resistor in series with the device input to measure the input bias current (the voltage drop across the series resistor is measured and the bias current is calculated). This method requires that a device be inserted into the test socket to obtain a correct reading; therefore, an open-socket reading is not feasible using this method.



Figure 4. Isolation Metal Around Device Inputs  
 (JG and P packages)

### low-level output voltage

To obtain low-supply-voltage operation, some compromise was necessary in the input stage. This compromise results in the device low-level output being dependent on the common-mode input voltage level as well as the differential input voltage level. When attempting to correlate low-level output readings with those quoted in the electrical specifications, these two conditions should be observed. If conditions other than these are to be used, please refer to Figures 14 through 19 in the Typical Characteristics of this data sheet.

### input offset voltage temperature coefficient

Erroneous readings often result from attempts to measure temperature coefficient of input offset voltage. This parameter is actually a calculation using input offset voltage measurements obtained at two different temperatures. When one (or both) of the temperatures is below freezing, moisture can collect on both the device and the test socket. This moisture results in leakage and contact resistance, which can cause erroneous input offset voltage readings. The isolation techniques previously mentioned have no effect on the leakage since the moisture also covers the isolation metal itself, thereby rendering it useless. It is suggested that these measurements be performed at temperatures above freezing to minimize error.

PARAMETER MEASUREMENT INFORMATION

full-power response

Full-power response, the frequency above which the operational amplifier slew rate limits the output voltage swing, is often specified two ways: full-linear response and full-peak response. The full-linear response is generally measured by monitoring the distortion level of the output while increasing the frequency of a sinusoidal input signal until the maximum frequency is found above which the output contains significant distortion. The full-peak response is defined as the maximum output frequency, without regard to distortion, above which full peak-to-peak output swing cannot be maintained.

Because there is no industry-wide accepted value for significant distortion, the full-peak response is specified in this data sheet and is measured using the circuit of Figure 1. The initial setup involves the use of a sinusoidal input to determine the maximum peak-to-peak output of the device (the amplitude of the sinusoidal wave is increased until clipping occurs). The sinusoidal wave is then replaced with a square wave of the same amplitude. The frequency is then increased until the maximum peak-to-peak output can no longer be maintained (Figure 5). A square wave is used to allow a more accurate determination of the point at which the maximum peak-to-peak output is reached.



Figure 5. Full-Power-Response Output Signal

test time

Inadequate test time is a frequent problem, especially when testing CMOS devices in a high-volume, short-test-time environment. Internal capacitances are inherently higher in CMOS than in bipolar and BiFET devices and require longer test times than their bipolar and BiFET counterparts. The problem becomes more pronounced with reduced supply levels and lower temperatures.

## TYPICAL CHARACTERISTICS

**Table of Graphs**

|                |   | <b>FIGURE</b>                 |        |
|----------------|---|-------------------------------|--------|
| $V_{IO}$       | Input offset voltage                            | Distribution                  | 6, 7   |
| $\alpha_{VIO}$ | Temperature coefficient of input offset voltage | Distribution                  | 8, 9   |
| $V_{OH}$       | High-level output voltage                       | vs High-level output current  | 10, 11 |
|                |   | vs Supply voltage             | 12     |
|                |   | vs Free-air temperature       | 13     |
| $V_{OL}$       | Low-level output voltage                        | vs Common-mode input voltage  | 14, 15 |
|                |   | vs Differential input voltage | 16     |
|                |   | vs Free-air temperature       | 17     |
|                |   | vs Low-level output current   | 18, 19 |
| $A_{VD}$       | Large-signal differential voltage amplification | vs Supply voltage             | 20     |
|                |   | vs Free-air temperature       | 21     |
|                |   | vs Frequency                  | 32, 33 |
| $I_{IB}$       | Input bias current                              | vs Free-air temperature       | 22     |
| $I_{IO}$       | Input offset current                            | vs Free-air temperature       | 22     |
| $V_{IC}$       | Common-mode input voltage                       | vs Supply voltage             | 23     |
| $I_{DD}$       | Supply current                                  | vs Supply voltage             | 24     |
|                |   | vs Free-air temperature       | 25     |
| SR             | Slew rate                                       | vs Supply voltage             | 26     |
|                |   | vs Free-air temperature       | 27     |
|                | Normalized slew rate                            | vs Free-air temperature       | 28     |
| $V_{O(PP)}$    | Maximum peak-to-peak output voltage             | vs Frequency                  | 29     |
| $B_1$          | Unity-gain bandwidth                            | vs Free-air temperature       | 30     |
|                |   | vs Supply voltage             | 31     |
| $\phi_m$       | Phase margin                                    | vs Supply voltage             | 34     |
|                |   | vs Free-air temperature       | 35     |
|                |   | vs Load capacitance           | 36     |
| $V_n$          | Equivalent input noise voltage                  | vs Frequency                  | 37     |
|                |   | Phase shift                   | 32, 33 |

TYPICAL CHARACTERISTICS

DISTRIBUTION OF TLC272  
 INPUT OFFSET VOLTAGE



Figure 6

DISTRIBUTION OF TLC272  
 INPUT OFFSET VOLTAGE



Figure 7

DISTRIBUTION OF TLC272 AND TLC277  
 INPUT OFFSET VOLTAGE  
 TEMPERATURE COEFFICIENT



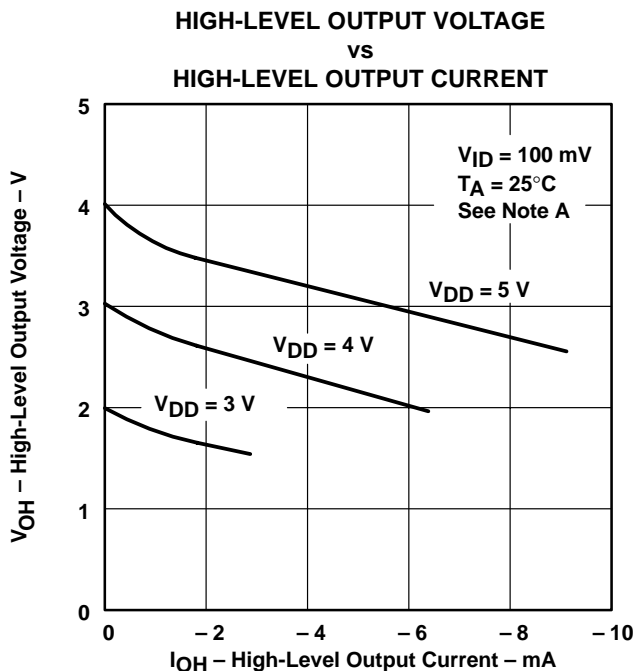
Figure 8

DISTRIBUTION OF TLC272 AND TLC277  
 INPUT OFFSET VOLTAGE  
 TEMPERATURE COEFFICIENT



Figure 9

TYPICAL CHARACTERISTICS†



NOTE A: The 3-V curve only applies to the C version.

Figure 10

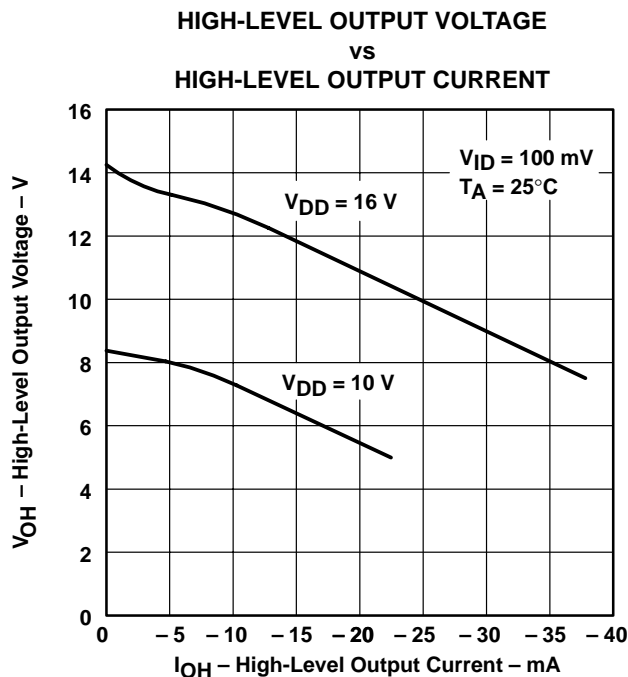


Figure 11

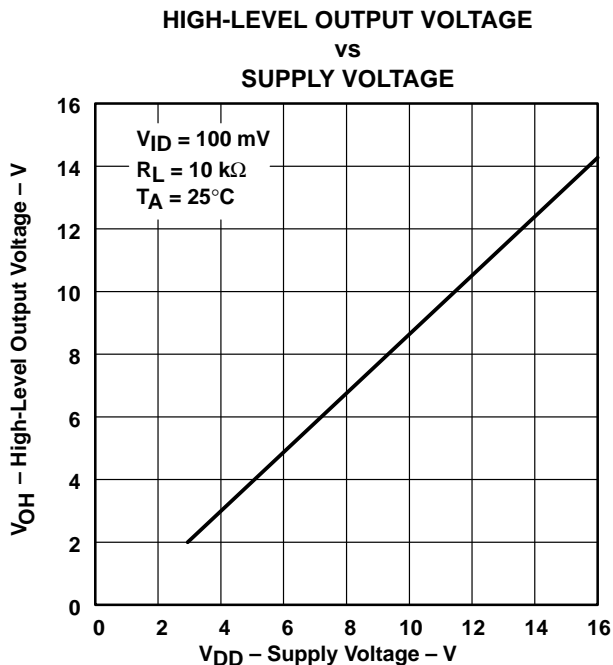


Figure 12

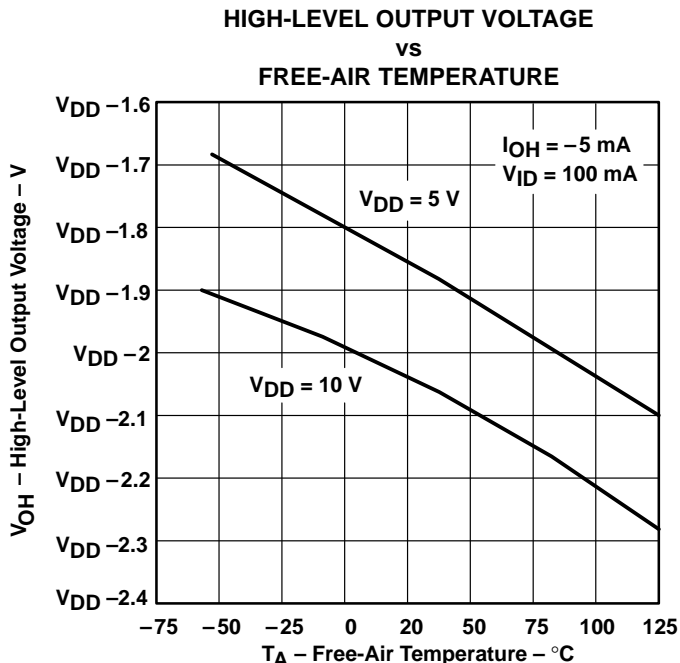


Figure 13

† Data at high and low temperatures are applicable only within the rated operating free-air temperature ranges of the various devices.

TYPICAL CHARACTERISTICS†

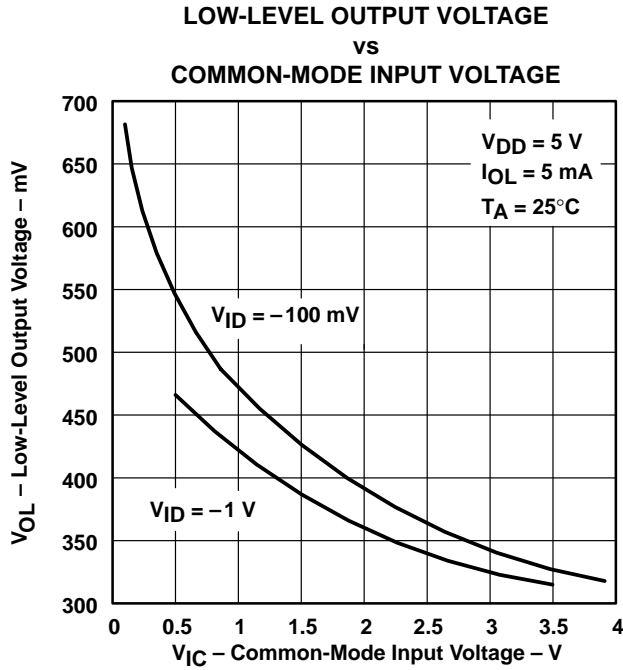


Figure 14

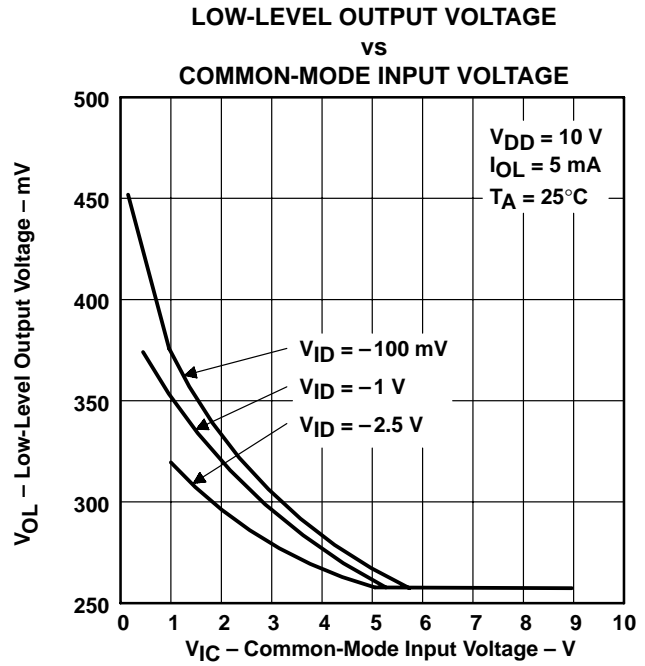


Figure 15

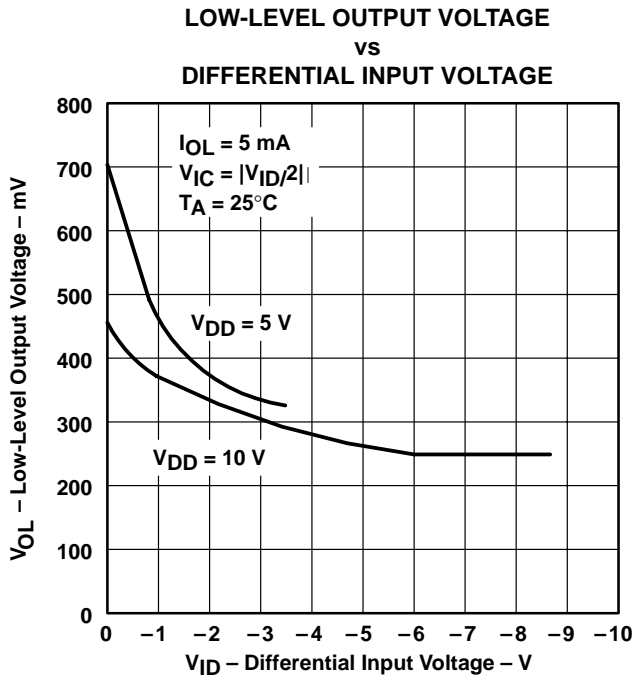


Figure 16

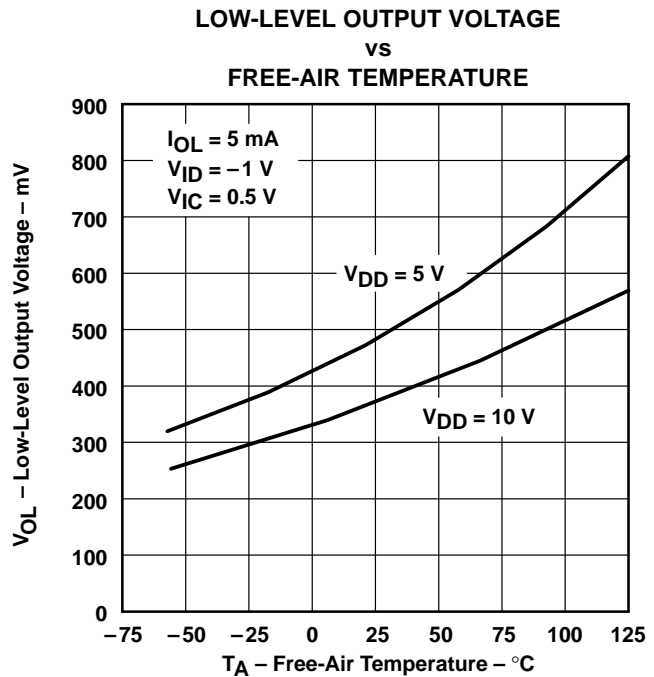
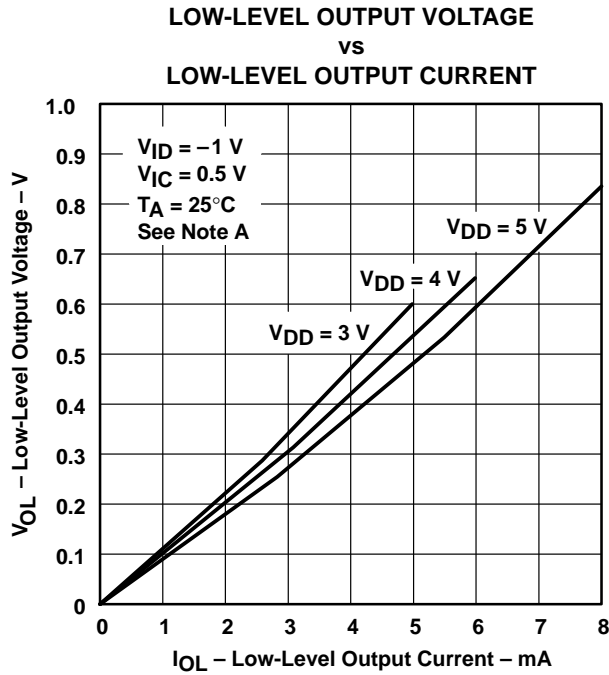


Figure 17

† Data at high and low temperatures are applicable only within the rated operating free-air temperature ranges of the various devices.

TYPICAL CHARACTERISTICS†



NOTE A: The 3-V curve only applies to the C version.

Figure 18

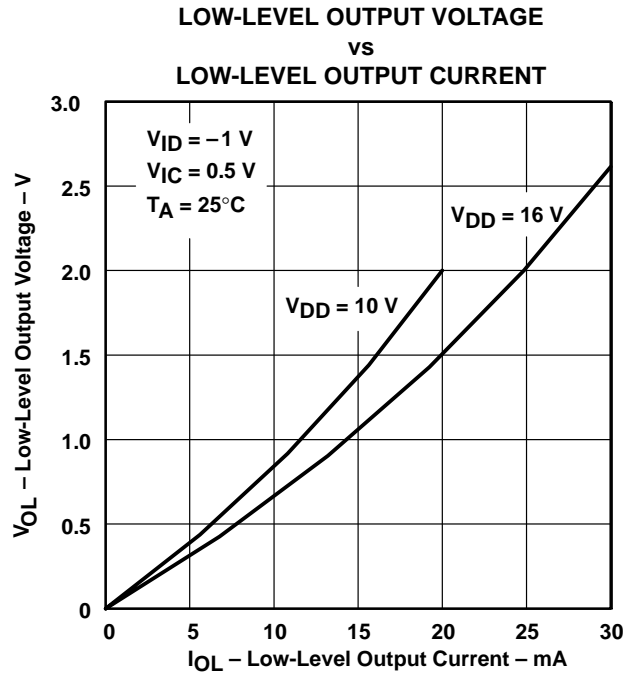


Figure 19

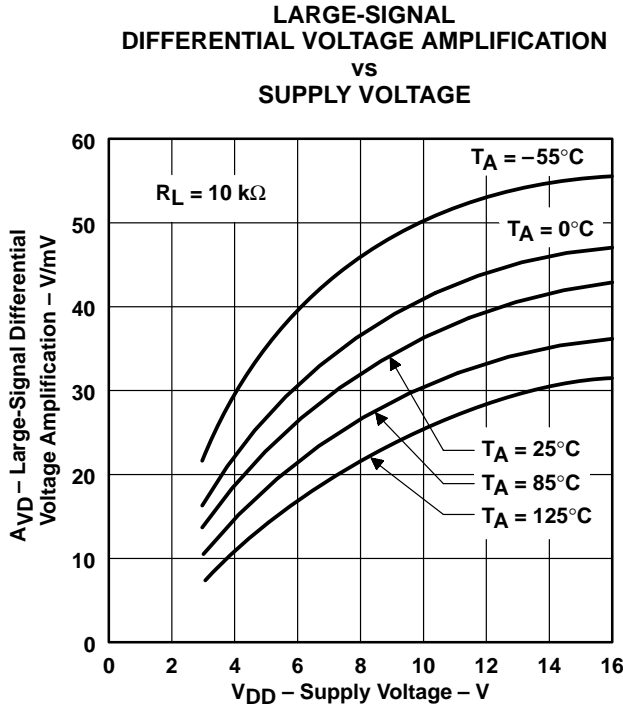


Figure 20

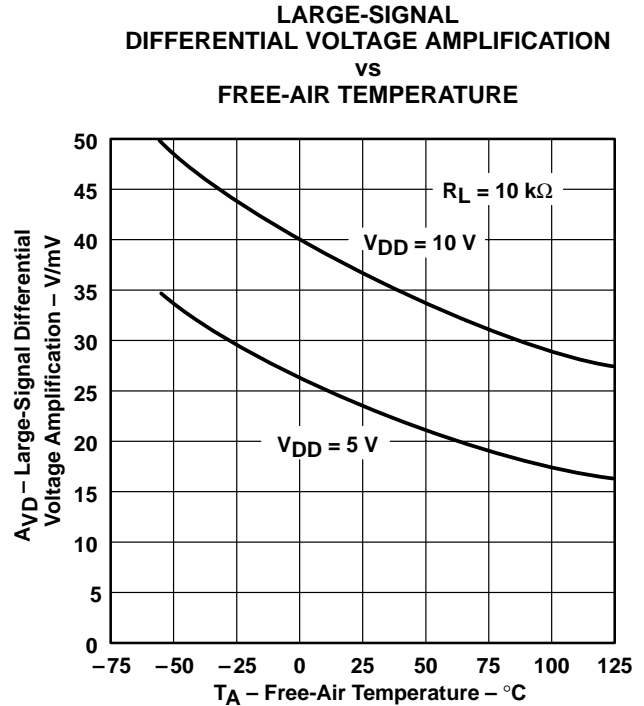


Figure 21

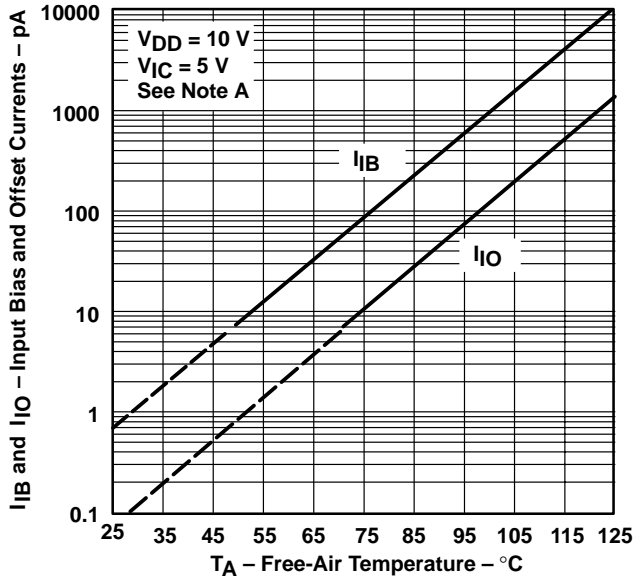
† Data at high and low temperatures are applicable only within the rated operating free-air temperature ranges of the various devices.

# TLC272, TLC272A, TLC272B, TLC272Y, TLC277 LinCMOS™ PRECISION DUAL OPERATIONAL AMPLIFIERS

SLOS091E – OCTOBER 1987 – REVISED FEBRUARY 2002

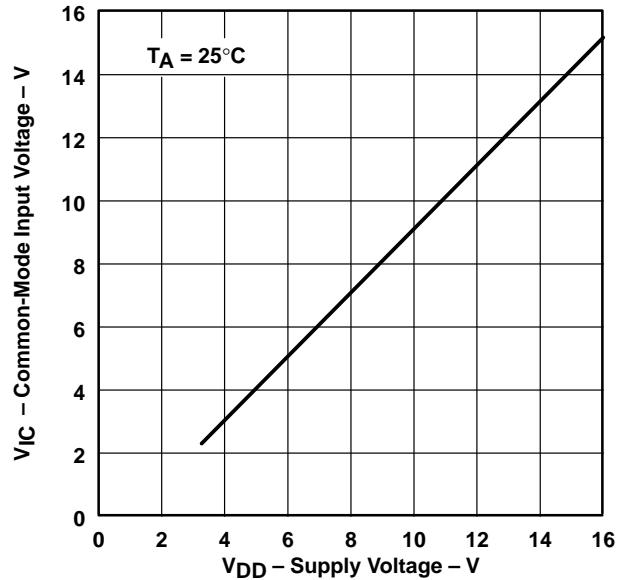
## TYPICAL CHARACTERISTICS†

**INPUT BIAS CURRENT AND INPUT OFFSET CURRENT  
vs  
FREE-AIR TEMPERATURE**



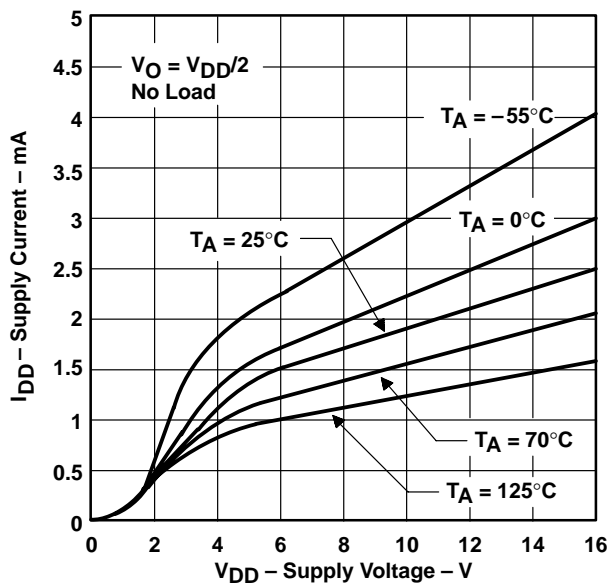
**Figure 22**

**COMMON-MODE  
INPUT VOLTAGE POSITIVE LIMIT  
vs  
SUPPLY VOLTAGE**



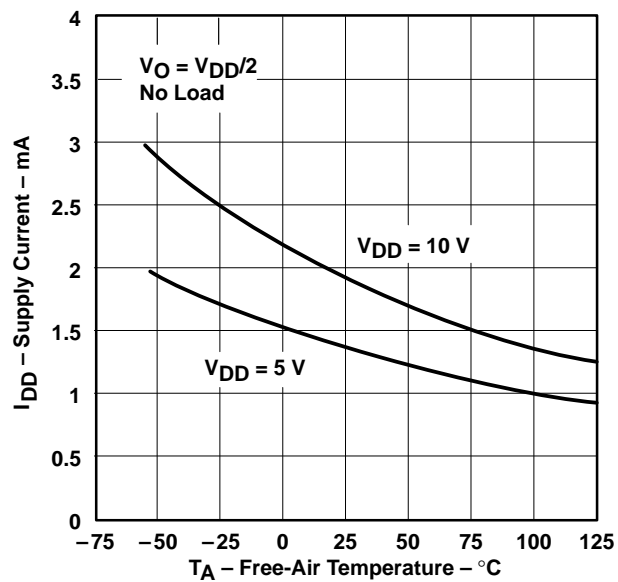
**Figure 23**

**SUPPLY CURRENT  
vs  
SUPPLY VOLTAGE**



**Figure 24**

**SUPPLY CURRENT  
vs  
FREE-AIR TEMPERATURE**



**Figure 25**

NOTE A: The typical values of input bias current and input offset current below 5 pA were determined mathematically.

† Data at high and low temperatures are applicable only within the rated operating free-air temperature ranges of the various devices.



TYPICAL CHARACTERISTICS†



Figure 26

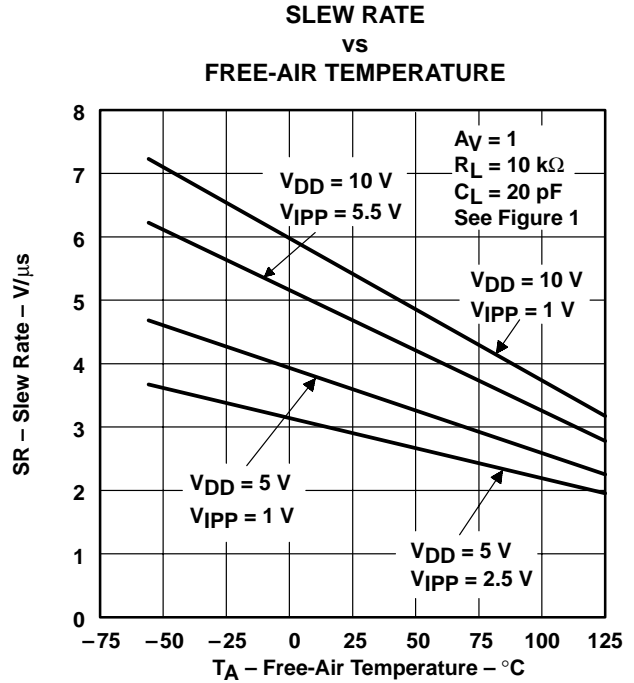


Figure 27



Figure 28

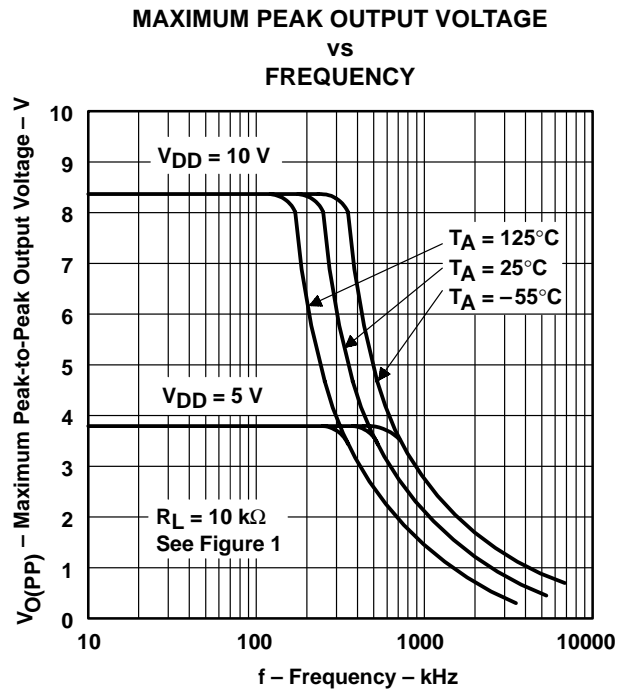


Figure 29

† Data at high and low temperatures are applicable only within the rated operating free-air temperature ranges of the various devices.

# TLC272, TLC272A, TLC272B, TLC272Y, TLC277 LinCMOS™ PRECISION DUAL OPERATIONAL AMPLIFIERS

SLOS091E – OCTOBER 1987 – REVISED FEBRUARY 2002

## TYPICAL CHARACTERISTICS†

UNITY-GAIN BANDWIDTH  
vs  
FREE-AIR TEMPERATURE



Figure 30

UNITY-GAIN BANDWIDTH  
vs  
SUPPLY VOLTAGE

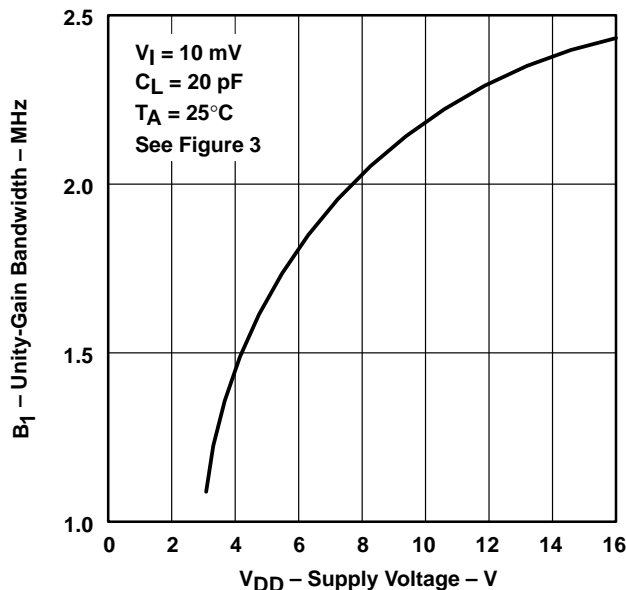


Figure 31

LARGE-SIGNAL DIFFERENTIAL VOLTAGE  
AMPLIFICATION AND PHASE SHIFT  
vs  
FREQUENCY



Figure 32

† Data at high and low temperatures are applicable only within the rated operating free-air temperature ranges of the various devices.



TYPICAL CHARACTERISTICS†

LARGE-SIGNAL DIFFERENTIAL VOLTAGE  
 AMPLIFICATION AND PHASE SHIFT  
 vs  
 FREQUENCY

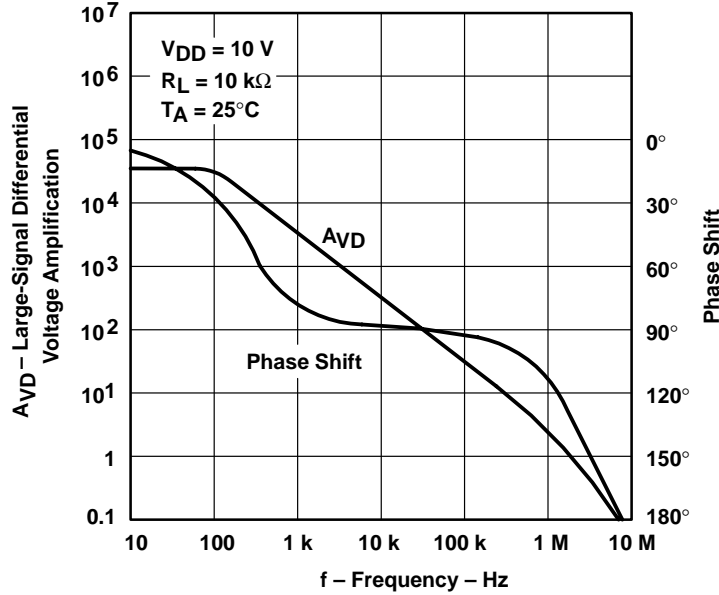


Figure 33

PHASE MARGIN  
 vs  
 SUPPLY VOLTAGE



Figure 34

PHASE MARGIN  
 vs  
 FREE-AIR TEMPERATURE

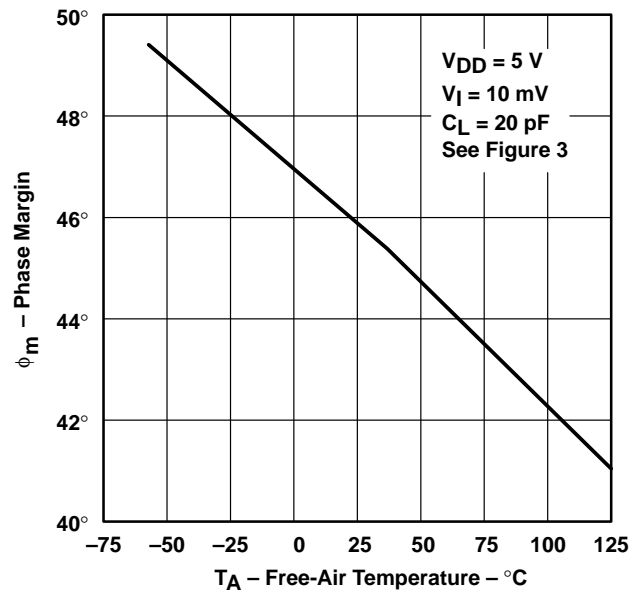


Figure 35

† Data at high and low temperatures are applicable only within the rated operating free-air temperature ranges of the various devices.

TYPICAL CHARACTERISTICS

PHASE MARGIN  
 VS  
 CAPACITIVE LOAD

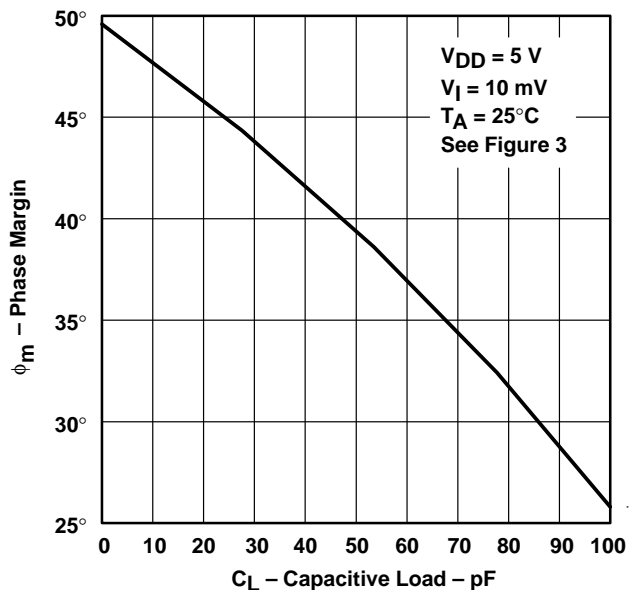


Figure 36

EQUIVALENT INPUT NOISE VOLTAGE  
 VS  
 FREQUENCY

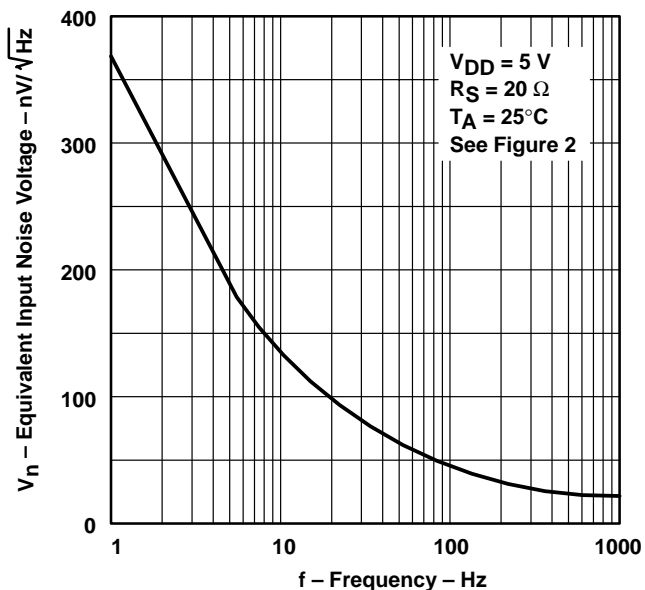


Figure 37

APPLICATION INFORMATION

single-supply operation

While the TLC272 and TLC277 perform well using dual power supplies (also called balanced or split supplies), the design is optimized for single-supply operation. This design includes an input common-mode voltage range that encompasses ground as well as an output voltage range that pulls down to ground. The supply voltage range extends down to 3 V (C-suffix types), thus allowing operation with supply levels commonly available for TTL and HCMOS; however, for maximum dynamic range, 16-V single-supply operation is recommended.

Many single-supply applications require that a voltage be applied to one input to establish a reference level that is above ground. A resistive voltage divider is usually sufficient to establish this reference level (see Figure 38). The low input bias current of the TLC272 and TLC277 permits the use of very large resistive values to implement the voltage divider, thus minimizing power consumption.

The TLC272 and TLC277 work well in conjunction with digital logic; however, when powering both linear devices and digital logic from the same power supply, the following precautions are recommended:

1. Power the linear devices from separate bypassed supply lines (see Figure 39); otherwise, the linear device supply rails can fluctuate due to voltage drops caused by high switching currents in the digital logic.
2. Use proper bypass techniques to reduce the probability of noise-induced errors. Single capacitive decoupling is often adequate; however, high-frequency applications may require RC decoupling.



Figure 38. Inverting Amplifier With Voltage Reference



Figure 39. Common vs Separate Supply Rails

**APPLICATION INFORMATION**

**input characteristics**

The TLC272 and TLC277 are specified with a minimum and a maximum input voltage that, if exceeded at either input, could cause the device to malfunction. Exceeding this specified range is a common problem, especially in single-supply operation. Note that the lower range limit includes the negative rail, while the upper range limit is specified at  $V_{DD} - 1\text{ V}$  at  $T_A = 25^\circ\text{C}$  and at  $V_{DD} - 1.5\text{ V}$  at all other temperatures.

The use of the polysilicon-gate process and the careful input circuit design gives the TLC272 and TLC277 very good input offset voltage drift characteristics relative to conventional metal-gate processes. Offset voltage drift in CMOS devices is highly influenced by threshold voltage shifts caused by polarization of the phosphorus dopant implanted in the oxide. Placing the phosphorus dopant in a conductor (such as a polysilicon gate) alleviates the polarization problem, thus reducing threshold voltage shifts by more than an order of magnitude. The offset voltage drift with time has been calculated to be typically  $0.1\ \mu\text{V}/\text{month}$ , including the first month of operation.

Because of the extremely high input impedance and resulting low bias current requirements, the TLC272 and TLC277 are well suited for low-level signal processing; however, leakage currents on printed-circuit boards and sockets can easily exceed bias current requirements and cause a degradation in device performance. It is good practice to include guard rings around inputs (similar to those of Figure 4 in the Parameter Measurement Information section). These guards should be driven from a low-impedance source at the same voltage level as the common-mode input (see Figure 40).

Unused amplifiers should be connected as grounded unity-gain followers to avoid possible oscillation.

**noise performance**

The noise specifications in operational amplifier circuits are greatly dependent on the current in the first-stage differential amplifier. The low input bias current requirements of the TLC272 and TLC277 result in a very low noise current, which is insignificant in most applications. This feature makes the devices especially favorable over bipolar devices when using values of circuit impedance greater than  $50\ \text{k}\Omega$ , since bipolar devices exhibit greater noise currents.



**Figure 40. Guard-Ring Schemes**

**output characteristics**

The output stage of the TLC272 and TLC277 is designed to sink and source relatively high amounts of current (see typical characteristics). If the output is subjected to a short-circuit condition, this high current capability can cause device damage under certain conditions. Output current capability increases with supply voltage.

All operating characteristics of the TLC272 and TLC277 are measured using a  $20\text{-pF}$  load. The devices can drive higher capacitive loads; however, as output load capacitance increases, the resulting response pole occurs at lower frequencies, thereby causing ringing, peaking, or even oscillation (see Figure 41). In many cases, adding a small amount of resistance in series with the load capacitance alleviates the problem.

APPLICATION INFORMATION

output characteristics (continued)



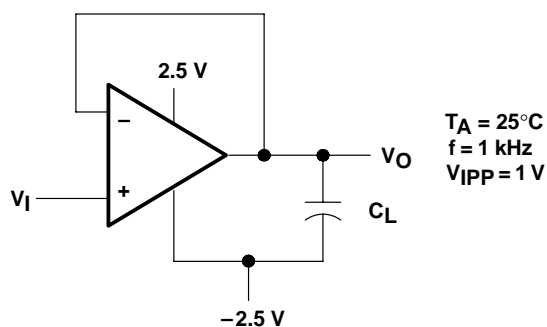
(a)  $C_L = 20 \text{ pF}$ ,  $R_L = \text{NO LOAD}$



(b)  $C_L = 130 \text{ pF}$ ,  $R_L = \text{NO LOAD}$



(c)  $C_L = 150 \text{ pF}$ ,  $R_L = \text{NO LOAD}$



(d) TEST CIRCUIT

$T_A = 25^\circ\text{C}$   
 $f = 1 \text{ kHz}$   
 $V_{IPP} = 1 \text{ V}$

Figure 41. Effect of Capacitive Loads and Test Circuit

Although the TLC272 and TLC277 possess excellent high-level output voltage and current capability, methods for boosting this capability are available, if needed. The simplest method involves the use of a pullup resistor ( $R_P$ ) connected from the output to the positive supply rail (see Figure 42). There are two disadvantages to the use of this circuit. First, the NMOS pulldown transistor N4 (see equivalent schematic) must sink a comparatively large amount of current. In this circuit, N4 behaves like a linear resistor with an on resistance between approximately  $60 \Omega$  and  $180 \Omega$ , depending on how hard the operational amplifier input is driven. With very low values of  $R_P$ , a voltage offset from 0 V at the output occurs. Second, pullup resistor  $R_P$  acts as a drain load to N4 and the gain of the operational amplifier is reduced at output voltage levels where N5 is not supplying the output current.

APPLICATION INFORMATION

output characteristics (continued)



$$R_p = \frac{V_{DD} - V_O}{I_F + I_L + I_P}$$

$I_P$  = Pullup current required by the operational amplifier (typically 500  $\mu$ A)

Figure 42. Resistive Pullup to Increase  $V_{OH}$



Figure 43. Compensation for Input Capacitance

feedback

Operational amplifier circuits almost always employ feedback, and since feedback is the first prerequisite for oscillation, some caution is appropriate. Most oscillation problems result from driving capacitive loads (discussed previously) and ignoring stray input capacitance. A small-value capacitor connected in parallel with the feedback resistor is an effective remedy (see Figure 43). The value of this capacitor is optimized empirically.

electrostatic discharge protection

The TLC272 and TLC277 incorporate an internal electrostatic discharge (ESD) protection circuit that prevents functional failures at voltages up to 2000 V as tested under MIL-STD-883C, Method 3015.2. Care should be exercised, however, when handling these devices as exposure to ESD may result in the degradation of the device parametric performance. The protection circuit also causes the input bias currents to be temperature dependent and have the characteristics of a reverse-biased diode.

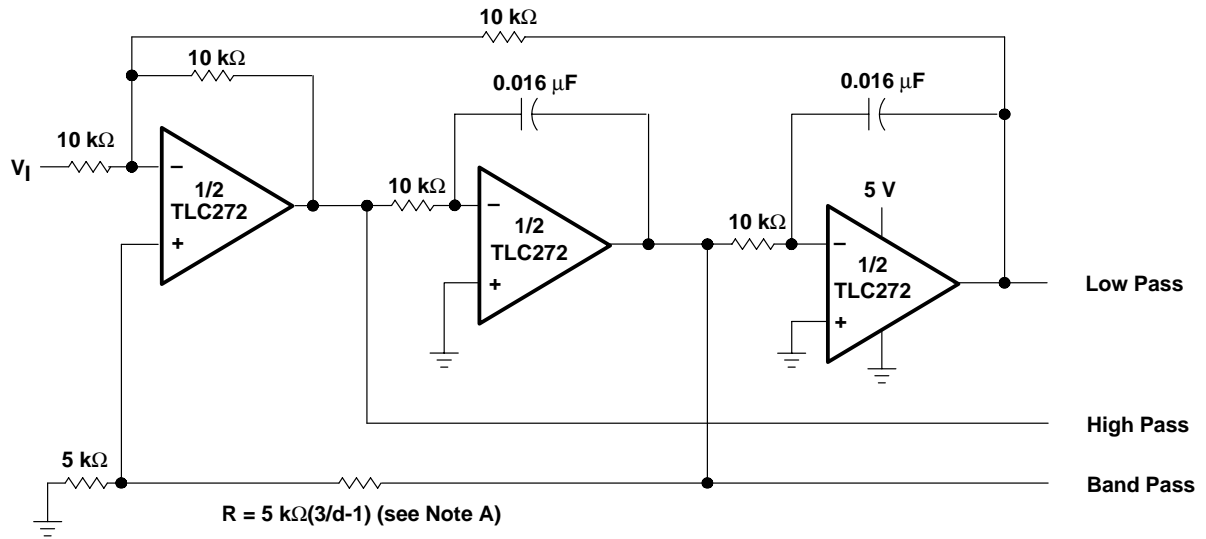
latch-up

Because CMOS devices are susceptible to latch-up due to their inherent parasitic thyristors, the TLC272 and TLC277 inputs and outputs were designed to withstand –100-mA surge currents without sustaining latch-up; however, techniques should be used to reduce the chance of latch-up whenever possible. Internal protection diodes should not, by design, be forward biased. Applied input and output voltage should not exceed the supply voltage by more than 300 mV. Care should be exercised when using capacitive coupling on pulse generators. Supply transients should be shunted by the use of decoupling capacitors (0.1  $\mu$ F typical) located across the supply rails as close to the device as possible.

The current path established if latch-up occurs is usually between the positive supply rail and ground and can be triggered by surges on the supply lines and/or voltages on either the output or inputs that exceed the supply voltage. Once latch-up occurs, the current flow is limited only by the impedance of the power supply and the forward resistance of the parasitic thyristor and usually results in the destruction of the device. The chance of latch-up occurring increases with increasing temperature and supply voltages.



APPLICATION INFORMATION



NOTE A:  $d$  = damping factor,  $1/Q$

Figure 44. State-Variable Filter

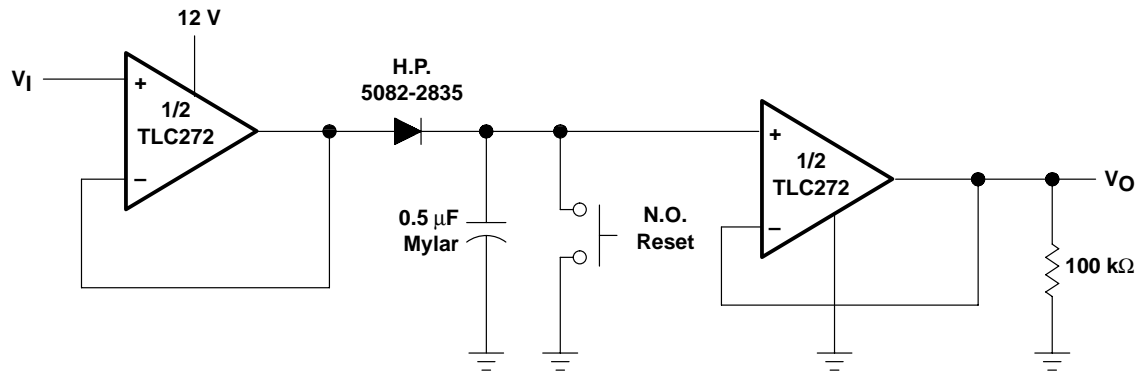


Figure 45. Positive-Peak Detector

# TLC272, TLC272A, TLC272B, TLC272Y, TLC277 LinCMOS™ PRECISION DUAL OPERATIONAL AMPLIFIERS

SLOS091E – OCTOBER 1987 – REVISED FEBRUARY 2002

## APPLICATION INFORMATION



NOTES: A.  $V_I = 3.5$  to  $15$  V  
B.  $V_O = 2$  V, 0 to  $1$  A

Figure 46. Logic-Array Power Supply



NOTES: A.  $V_{O(PP)} = 8$  V  
B.  $V_{O(PP)} = 4$  V

$$f_o = \frac{1}{4C(R2)} \left[ \frac{R1}{R3} \right]$$

Figure 47. Single-Supply Function Generator

APPLICATION INFORMATION



NOTE B: CMRR adjustment must be noninductive.

Figure 48. Low-Power Instrumentation Amplifier



Figure 49. Single-Supply Twin-T Notch Filter

**PACKAGING INFORMATION**

| Orderable Device | Status<br>(1) | Package Type | Package<br>Drawing | Pins | Package<br>Qty | Eco Plan<br>(2)            | Lead/Ball Finish | MSL Peak Temp<br>(3) | Op Temp (°C) | Top-Side Markings<br>(4) | Samples                 |
|------------------|---------------|--------------|--------------------|------|----------------|----------------------------|------------------|----------------------|--------------|--------------------------|-------------------------|
| 5962-89494022A   | OBSOLETE      | LCCC         | FK                 | 20   |                | TBD                        | Call TI          | Call TI              | -55 to 125   |                          |                         |
| TLC272ACD        | ACTIVE        | SOIC         | D                  | 8    | 75             | Green (RoHS<br>& no Sb/Br) | CU NIPDAU        | Level-1-260C-UNLIM   | 0 to 70      | 272AC                    | <a href="#">Samples</a> |
| TLC272ACDG4      | ACTIVE        | SOIC         | D                  | 8    | 75             | Green (RoHS<br>& no Sb/Br) | CU NIPDAU        | Level-1-260C-UNLIM   | 0 to 70      | 272AC                    | <a href="#">Samples</a> |
| TLC272ACDR       | ACTIVE        | SOIC         | D                  | 8    | 2500           | Green (RoHS<br>& no Sb/Br) | CU NIPDAU        | Level-1-260C-UNLIM   | 0 to 70      | 272AC                    | <a href="#">Samples</a> |
| TLC272ACDRG4     | ACTIVE        | SOIC         | D                  | 8    | 2500           | Green (RoHS<br>& no Sb/Br) | CU NIPDAU        | Level-1-260C-UNLIM   | 0 to 70      | 272AC                    | <a href="#">Samples</a> |
| TLC272ACP        | ACTIVE        | PDIP         | P                  | 8    | 50             | Pb-Free<br>(RoHS)          | CU NIPDAU        | N / A for Pkg Type   | 0 to 70      | TLC272ACP                | <a href="#">Samples</a> |
| TLC272ACPE4      | ACTIVE        | PDIP         | P                  | 8    | 50             | Pb-Free<br>(RoHS)          | CU NIPDAU        | N / A for Pkg Type   | 0 to 70      | TLC272ACP                | <a href="#">Samples</a> |
| TLC272AID        | ACTIVE        | SOIC         | D                  | 8    | 75             | Green (RoHS<br>& no Sb/Br) | CU NIPDAU        | Level-1-260C-UNLIM   | -40 to 85    | 272AI                    | <a href="#">Samples</a> |
| TLC272AIDG4      | ACTIVE        | SOIC         | D                  | 8    | 75             | Green (RoHS<br>& no Sb/Br) | CU NIPDAU        | Level-1-260C-UNLIM   | -40 to 85    | 272AI                    | <a href="#">Samples</a> |
| TLC272AIDR       | ACTIVE        | SOIC         | D                  | 8    | 2500           | Green (RoHS<br>& no Sb/Br) | CU NIPDAU        | Level-1-260C-UNLIM   | -40 to 85    | 272AI                    | <a href="#">Samples</a> |
| TLC272AIDRG4     | ACTIVE        | SOIC         | D                  | 8    | 2500           | Green (RoHS<br>& no Sb/Br) | CU NIPDAU        | Level-1-260C-UNLIM   | -40 to 85    | 272AI                    | <a href="#">Samples</a> |
| TLC272AIP        | ACTIVE        | PDIP         | P                  | 8    | 50             | Pb-Free<br>(RoHS)          | CU NIPDAU        | N / A for Pkg Type   | -40 to 85    | TLC272AIP                | <a href="#">Samples</a> |
| TLC272AIPE4      | ACTIVE        | PDIP         | P                  | 8    | 50             | Pb-Free<br>(RoHS)          | CU NIPDAU        | N / A for Pkg Type   | -40 to 85    | TLC272AIP                | <a href="#">Samples</a> |
| TLC272BCD        | ACTIVE        | SOIC         | D                  | 8    | 75             | Green (RoHS<br>& no Sb/Br) | CU NIPDAU        | Level-1-260C-UNLIM   | 0 to 70      | 272BC                    | <a href="#">Samples</a> |
| TLC272BCDG4      | ACTIVE        | SOIC         | D                  | 8    | 75             | Green (RoHS<br>& no Sb/Br) | CU NIPDAU        | Level-1-260C-UNLIM   | 0 to 70      | 272BC                    | <a href="#">Samples</a> |
| TLC272BCDR       | ACTIVE        | SOIC         | D                  | 8    | 2500           | Green (RoHS<br>& no Sb/Br) | CU NIPDAU        | Level-1-260C-UNLIM   | 0 to 70      | 272BC                    | <a href="#">Samples</a> |
| TLC272BCDRG4     | ACTIVE        | SOIC         | D                  | 8    | 2500           | Green (RoHS<br>& no Sb/Br) | CU NIPDAU        | Level-1-260C-UNLIM   | 0 to 70      | 272BC                    | <a href="#">Samples</a> |

| Orderable Device | Status<br>(1) | Package Type | Package Drawing | Pins | Package Qty | Eco Plan<br>(2)         | Lead/Ball Finish | MSL Peak Temp<br>(3) | Op Temp (°C) | Top-Side Markings<br>(4) | Samples                 |
|------------------|---------------|--------------|-----------------|------|-------------|-------------------------|------------------|----------------------|--------------|--------------------------|-------------------------|
| TLC272BCP        | ACTIVE        | PDIP         | P               | 8    | 50          | Pb-Free (RoHS)          | CU NIPDAU        | N / A for Pkg Type   | 0 to 70      | TLC272BCP                | <a href="#">Samples</a> |
| TLC272BCPE4      | ACTIVE        | PDIP         | P               | 8    | 50          | Pb-Free (RoHS)          | CU NIPDAU        | N / A for Pkg Type   | 0 to 70      | TLC272BCP                | <a href="#">Samples</a> |
| TLC272BID        | ACTIVE        | SOIC         | D               | 8    | 75          | Green (RoHS & no Sb/Br) | CU NIPDAU        | Level-1-260C-UNLIM   | -40 to 85    | 272BI                    | <a href="#">Samples</a> |
| TLC272BIDG4      | ACTIVE        | SOIC         | D               | 8    | 75          | Green (RoHS & no Sb/Br) | CU NIPDAU        | Level-1-260C-UNLIM   | -40 to 85    | 272BI                    | <a href="#">Samples</a> |
| TLC272BIDR       | ACTIVE        | SOIC         | D               | 8    | 2500        | Green (RoHS & no Sb/Br) | CU NIPDAU        | Level-1-260C-UNLIM   | -40 to 85    | 272BI                    | <a href="#">Samples</a> |
| TLC272BIDRG4     | ACTIVE        | SOIC         | D               | 8    | 2500        | Green (RoHS & no Sb/Br) | CU NIPDAU        | Level-1-260C-UNLIM   | -40 to 85    | 272BI                    | <a href="#">Samples</a> |
| TLC272BIP        | ACTIVE        | PDIP         | P               | 8    | 50          | Pb-Free (RoHS)          | CU NIPDAU        | N / A for Pkg Type   | -40 to 85    | TLC272BIP                | <a href="#">Samples</a> |
| TLC272BIPE4      | ACTIVE        | PDIP         | P               | 8    | 50          | Pb-Free (RoHS)          | CU NIPDAU        | N / A for Pkg Type   | -40 to 85    | TLC272BIP                | <a href="#">Samples</a> |
| TLC272CD         | ACTIVE        | SOIC         | D               | 8    | 75          | Green (RoHS & no Sb/Br) | CU NIPDAU        | Level-1-260C-UNLIM   | 0 to 70      | 272C                     | <a href="#">Samples</a> |
| TLC272CDG4       | ACTIVE        | SOIC         | D               | 8    | 75          | Green (RoHS & no Sb/Br) | CU NIPDAU        | Level-1-260C-UNLIM   | 0 to 70      | 272C                     | <a href="#">Samples</a> |
| TLC272CDR        | ACTIVE        | SOIC         | D               | 8    | 2500        | Green (RoHS & no Sb/Br) | CU NIPDAU        | Level-1-260C-UNLIM   | 0 to 70      | 272C                     | <a href="#">Samples</a> |
| TLC272CDRG4      | ACTIVE        | SOIC         | D               | 8    | 2500        | Green (RoHS & no Sb/Br) | CU NIPDAU        | Level-1-260C-UNLIM   | 0 to 70      | 272C                     | <a href="#">Samples</a> |
| TLC272CP         | ACTIVE        | PDIP         | P               | 8    | 50          | Pb-Free (RoHS)          | CU NIPDAU        | N / A for Pkg Type   | 0 to 70      | TLC272CP                 | <a href="#">Samples</a> |
| TLC272CPE4       | ACTIVE        | PDIP         | P               | 8    | 50          | Pb-Free (RoHS)          | CU NIPDAU        | N / A for Pkg Type   | 0 to 70      | TLC272CP                 | <a href="#">Samples</a> |
| TLC272CPSR       | ACTIVE        | SO           | PS              | 8    | 2000        | Green (RoHS & no Sb/Br) | CU NIPDAU        | Level-1-260C-UNLIM   | 0 to 70      | P272                     | <a href="#">Samples</a> |
| TLC272CPSRG4     | ACTIVE        | SO           | PS              | 8    | 2000        | Green (RoHS & no Sb/Br) | CU NIPDAU        | Level-1-260C-UNLIM   | 0 to 70      | P272                     | <a href="#">Samples</a> |
| TLC272CPW        | ACTIVE        | TSSOP        | PW              | 8    | 150         | Green (RoHS & no Sb/Br) | CU NIPDAU        | Level-1-260C-UNLIM   | 0 to 70      | P272C                    | <a href="#">Samples</a> |
| TLC272CPWG4      | ACTIVE        | TSSOP        | PW              | 8    | 150         | Green (RoHS & no Sb/Br) | CU NIPDAU        | Level-1-260C-UNLIM   | 0 to 70      | P272C                    | <a href="#">Samples</a> |

| Orderable Device | Status<br>(1) | Package Type | Package<br>Drawing | Pins | Package<br>Qty | Eco Plan<br>(2)            | Lead/Ball Finish | MSL Peak Temp<br>(3) | Op Temp (°C) | Top-Side Markings<br>(4) | Samples                 |
|------------------|---------------|--------------|--------------------|------|----------------|----------------------------|------------------|----------------------|--------------|--------------------------|-------------------------|
| TLC272CPWLE      | OBSOLETE      | TSSOP        | PW                 | 8    |                | TBD                        | Call TI          | Call TI              | 0 to 70      |                          |                         |
| TLC272CPWR       | ACTIVE        | TSSOP        | PW                 | 8    | 2000           | Green (RoHS<br>& no Sb/Br) | CU NIPDAU        | Level-1-260C-UNLIM   | 0 to 70      | P272C                    | <a href="#">Samples</a> |
| TLC272CPWRG4     | ACTIVE        | TSSOP        | PW                 | 8    | 2000           | Green (RoHS<br>& no Sb/Br) | CU NIPDAU        | Level-1-260C-UNLIM   | 0 to 70      | P272C                    | <a href="#">Samples</a> |
| TLC272ID         | ACTIVE        | SOIC         | D                  | 8    | 75             | Green (RoHS<br>& no Sb/Br) | CU NIPDAU        | Level-1-260C-UNLIM   | -40 to 85    | 272I                     | <a href="#">Samples</a> |
| TLC272IDG4       | ACTIVE        | SOIC         | D                  | 8    | 75             | Green (RoHS<br>& no Sb/Br) | CU NIPDAU        | Level-1-260C-UNLIM   | -40 to 85    | 272I                     | <a href="#">Samples</a> |
| TLC272IDR        | ACTIVE        | SOIC         | D                  | 8    | 2500           | Green (RoHS<br>& no Sb/Br) | CU NIPDAU        | Level-1-260C-UNLIM   | -40 to 85    | 272I                     | <a href="#">Samples</a> |
| TLC272IDRG4      | ACTIVE        | SOIC         | D                  | 8    | 2500           | Green (RoHS<br>& no Sb/Br) | CU NIPDAU        | Level-1-260C-UNLIM   | -40 to 85    | 272I                     | <a href="#">Samples</a> |
| TLC272IP         | ACTIVE        | PDIP         | P                  | 8    | 50             | Pb-Free<br>(RoHS)          | CU NIPDAU        | N / A for Pkg Type   | -40 to 85    | TLC272IP                 | <a href="#">Samples</a> |
| TLC272IPE4       | ACTIVE        | PDIP         | P                  | 8    | 50             | Pb-Free<br>(RoHS)          | CU NIPDAU        | N / A for Pkg Type   | -40 to 85    | TLC272IP                 | <a href="#">Samples</a> |
| TLC272MFKB       | OBSOLETE      | LCCC         | FK                 | 20   |                | TBD                        | Call TI          | Call TI              | -55 to 125   |                          |                         |
| TLC272MJG        | OBSOLETE      | CDIP         | JG                 | 8    |                | TBD                        | Call TI          | Call TI              | -55 to 125   |                          |                         |
| TLC272MJGB       | OBSOLETE      | CDIP         | JG                 | 8    |                | TBD                        | Call TI          | Call TI              | -55 to 125   |                          |                         |
| TLC272P-M        | PREVIEW       | PDIP         | P                  | 8    |                | TBD                        | Call TI          | Call TI              |              |                          |                         |
| TLC277CD         | ACTIVE        | SOIC         | D                  | 8    | 75             | Green (RoHS<br>& no Sb/Br) | CU NIPDAU        | Level-1-260C-UNLIM   |              | 277C                     | <a href="#">Samples</a> |
| TLC277CDG4       | ACTIVE        | SOIC         | D                  | 8    | 75             | Green (RoHS<br>& no Sb/Br) | CU NIPDAU        | Level-1-260C-UNLIM   |              | 277C                     | <a href="#">Samples</a> |
| TLC277CDR        | ACTIVE        | SOIC         | D                  | 8    | 2500           | Green (RoHS<br>& no Sb/Br) | CU NIPDAU        | Level-1-260C-UNLIM   |              | 277C                     | <a href="#">Samples</a> |
| TLC277CDRG4      | ACTIVE        | SOIC         | D                  | 8    | 2500           | Green (RoHS<br>& no Sb/Br) | CU NIPDAU        | Level-1-260C-UNLIM   |              | 277C                     | <a href="#">Samples</a> |
| TLC277CP         | ACTIVE        | PDIP         | P                  | 8    | 50             | Pb-Free<br>(RoHS)          | CU NIPDAU        | N / A for Pkg Type   |              | TLC277CP                 | <a href="#">Samples</a> |
| TLC277CPE4       | ACTIVE        | PDIP         | P                  | 8    | 50             | Pb-Free<br>(RoHS)          | CU NIPDAU        | N / A for Pkg Type   |              | TLC277CP                 | <a href="#">Samples</a> |
| TLC277CPSR       | ACTIVE        | SO           | PS                 | 8    | 2000           | Green (RoHS<br>& no Sb/Br) | CU NIPDAU        | Level-1-260C-UNLIM   |              | P277                     | <a href="#">Samples</a> |

| Orderable Device | Status<br>(1) | Package Type | Package Drawing | Pins | Package Qty | Eco Plan<br>(2)         | Lead/Ball Finish | MSL Peak Temp<br>(3) | Op Temp (°C) | Top-Side Markings<br>(4) | Samples                 |
|------------------|---------------|--------------|-----------------|------|-------------|-------------------------|------------------|----------------------|--------------|--------------------------|-------------------------|
| TLC277CPSRG4     | ACTIVE        | SO           | PS              | 8    | 2000        | Green (RoHS & no Sb/Br) | CU NIPDAU        | Level-1-260C-UNLIM   |              | P277                     | <a href="#">Samples</a> |
| TLC277ID         | ACTIVE        | SOIC         | D               | 8    | 75          | Green (RoHS & no Sb/Br) | CU NIPDAU        | Level-1-260C-UNLIM   |              | 277I                     | <a href="#">Samples</a> |
| TLC277IDG4       | ACTIVE        | SOIC         | D               | 8    | 75          | Green (RoHS & no Sb/Br) | CU NIPDAU        | Level-1-260C-UNLIM   |              | 277I                     | <a href="#">Samples</a> |
| TLC277IDR        | ACTIVE        | SOIC         | D               | 8    | 2500        | Green (RoHS & no Sb/Br) | CU NIPDAU        | Level-1-260C-UNLIM   |              | 277I                     | <a href="#">Samples</a> |
| TLC277IDRG4      | ACTIVE        | SOIC         | D               | 8    | 2500        | Green (RoHS & no Sb/Br) | CU NIPDAU        | Level-1-260C-UNLIM   |              | 277I                     | <a href="#">Samples</a> |
| TLC277IP         | ACTIVE        | PDIP         | P               | 8    | 50          | Pb-Free (RoHS)          | CU NIPDAU        | N / A for Pkg Type   |              | TLC277IP                 | <a href="#">Samples</a> |
| TLC277IPE4       | ACTIVE        | PDIP         | P               | 8    | 50          | Pb-Free (RoHS)          | CU NIPDAU        | N / A for Pkg Type   |              | TLC277IP                 | <a href="#">Samples</a> |
| TLC277MFKB       | OBSOLETE      | LCCC         | FK              | 20   |             | TBD                     | Call TI          | Call TI              | -55 to 125   |                          |                         |
| TLC277MJG        | OBSOLETE      | CDIP         | JG              | 8    |             | TBD                     | Call TI          | Call TI              | -55 to 125   |                          |                         |
| TLC277MJGB       | OBSOLETE      | CDIP         | JG              | 8    |             | TBD                     | Call TI          | Call TI              | -55 to 125   |                          |                         |

(1) The marketing status values are defined as follows:

**ACTIVE:** Product device recommended for new designs.

**LIFEBUY:** TI has announced that the device will be discontinued, and a lifetime-buy period is in effect.

**NRND:** Not recommended for new designs. Device is in production to support existing customers, but TI does not recommend using this part in a new design.

**PREVIEW:** Device has been announced but is not in production. Samples may or may not be available.

**OBSOLETE:** TI has discontinued the production of the device.

(2) Eco Plan - The planned eco-friendly classification: Pb-Free (RoHS), Pb-Free (RoHS Exempt), or Green (RoHS & no Sb/Br) - please check <http://www.ti.com/productcontent> for the latest availability information and additional product content details.

**TBD:** The Pb-Free/Green conversion plan has not been defined.

**Pb-Free (RoHS):** TI's terms "Lead-Free" or "Pb-Free" mean semiconductor products that are compatible with the current RoHS requirements for all 6 substances, including the requirement that lead not exceed 0.1% by weight in homogeneous materials. Where designed to be soldered at high temperatures, TI Pb-Free products are suitable for use in specified lead-free processes.

**Pb-Free (RoHS Exempt):** This component has a RoHS exemption for either 1) lead-based flip-chip solder bumps used between the die and package, or 2) lead-based die adhesive used between the die and leadframe. The component is otherwise considered Pb-Free (RoHS compatible) as defined above.

**Green (RoHS & no Sb/Br):** TI defines "Green" to mean Pb-Free (RoHS compatible), and free of Bromine (Br) and Antimony (Sb) based flame retardants (Br or Sb do not exceed 0.1% by weight in homogeneous material)

(3) MSL, Peak Temp. -- The Moisture Sensitivity Level rating according to the JEDEC industry standard classifications, and peak solder temperature.

<sup>(4)</sup> Multiple Top-Side Markings will be inside parentheses. Only one Top-Side Marking contained in parentheses and separated by a "~" will appear on a device. If a line is indented then it is a continuation of the previous line and the two combined represent the entire Top-Side Marking for that device.

**Important Information and Disclaimer:** The information provided on this page represents TI's knowledge and belief as of the date that it is provided. TI bases its knowledge and belief on information provided by third parties, and makes no representation or warranty as to the accuracy of such information. Efforts are underway to better integrate information from third parties. TI has taken and continues to take reasonable steps to provide representative and accurate information but may not have conducted destructive testing or chemical analysis on incoming materials and chemicals. TI and TI suppliers consider certain information to be proprietary, and thus CAS numbers and other limited information may not be available for release.

In no event shall TI's liability arising out of such information exceed the total purchase price of the TI part(s) at issue in this document sold by TI to Customer on an annual basis.



**TAPE AND REEL INFORMATION**

**QUADRANT ASSIGNMENTS FOR PIN 1 ORIENTATION IN TAPE**


\*All dimensions are nominal

| Device     | Package Type | Package Drawing | Pins | SPQ  | Reel Diameter (mm) | Reel Width W1 (mm) | A0 (mm) | B0 (mm) | K0 (mm) | P1 (mm) | W (mm) | Pin1 Quadrant |
|------------|--------------|-----------------|------|------|--------------------|--------------------|---------|---------|---------|---------|--------|---------------|
| TLC272ACDR | SOIC         | D               | 8    | 2500 | 330.0              | 12.4               | 6.4     | 5.2     | 2.1     | 8.0     | 12.0   | Q1            |
| TLC272AIDR | SOIC         | D               | 8    | 2500 | 330.0              | 12.4               | 6.4     | 5.2     | 2.1     | 8.0     | 12.0   | Q1            |
| TLC272BCDR | SOIC         | D               | 8    | 2500 | 330.0              | 12.4               | 6.4     | 5.2     | 2.1     | 8.0     | 12.0   | Q1            |
| TLC272BIDR | SOIC         | D               | 8    | 2500 | 330.0              | 12.4               | 6.4     | 5.2     | 2.1     | 8.0     | 12.0   | Q1            |
| TLC272CDR  | SOIC         | D               | 8    | 2500 | 330.0              | 12.4               | 6.4     | 5.2     | 2.1     | 8.0     | 12.0   | Q1            |
| TLC272CPWR | TSSOP        | PW              | 8    | 2000 | 330.0              | 12.4               | 7.0     | 3.6     | 1.6     | 8.0     | 12.0   | Q1            |
| TLC272IDR  | SOIC         | D               | 8    | 2500 | 330.0              | 12.4               | 6.4     | 5.2     | 2.1     | 8.0     | 12.0   | Q1            |
| TLC277CDR  | SOIC         | D               | 8    | 2500 | 330.0              | 12.4               | 6.4     | 5.2     | 2.1     | 8.0     | 12.0   | Q1            |
| TLC277CPSR | SO           | PS              | 8    | 2000 | 330.0              | 16.4               | 8.2     | 6.6     | 2.5     | 12.0    | 16.0   | Q1            |
| TLC277IDR  | SOIC         | D               | 8    | 2500 | 330.0              | 12.4               | 6.4     | 5.2     | 2.1     | 8.0     | 12.0   | Q1            |

**TAPE AND REEL BOX DIMENSIONS**


\*All dimensions are nominal

| Device     | Package Type | Package Drawing | Pins | SPQ  | Length (mm) | Width (mm) | Height (mm) |
|------------|--------------|-----------------|------|------|-------------|------------|-------------|
| TLC272ACDR | SOIC         | D               | 8    | 2500 | 340.5       | 338.1      | 20.6        |
| TLC272AIDR | SOIC         | D               | 8    | 2500 | 340.5       | 338.1      | 20.6        |
| TLC272BCDR | SOIC         | D               | 8    | 2500 | 340.5       | 338.1      | 20.6        |
| TLC272BIDR | SOIC         | D               | 8    | 2500 | 340.5       | 338.1      | 20.6        |
| TLC272CDR  | SOIC         | D               | 8    | 2500 | 340.5       | 338.1      | 20.6        |
| TLC272CPWR | TSSOP        | PW              | 8    | 2000 | 367.0       | 367.0      | 35.0        |
| TLC272IDR  | SOIC         | D               | 8    | 2500 | 340.5       | 338.1      | 20.6        |
| TLC277CDR  | SOIC         | D               | 8    | 2500 | 340.5       | 338.1      | 20.6        |
| TLC277CPSR | SO           | PS              | 8    | 2000 | 367.0       | 367.0      | 38.0        |
| TLC277IDR  | SOIC         | D               | 8    | 2500 | 340.5       | 338.1      | 20.6        |

JG (R-GDIP-T8)

CERAMIC DUAL-IN-LINE



- NOTES: A. All linear dimensions are in inches (millimeters).  
 B. This drawing is subject to change without notice.  
 C. This package can be hermetically sealed with a ceramic lid using glass frit.  
 D. Index point is provided on cap for terminal identification.  
 E. Falls within MIL STD 1835 GDIP1-T8

FK (S-CQCC-N\*\*)

LEADLESS CERAMIC CHIP CARRIER

28 TERMINAL SHOWN



| NO. OF TERMINALS ** | A                |                  | B                |                  |
|---------------------|------------------|------------------|------------------|------------------|
|                     | MIN              | MAX              | MIN              | MAX              |
| 20                  | 0.342<br>(8,69)  | 0.358<br>(9,09)  | 0.307<br>(7,80)  | 0.358<br>(9,09)  |
| 28                  | 0.442<br>(11,23) | 0.458<br>(11,63) | 0.406<br>(10,31) | 0.458<br>(11,63) |
| 44                  | 0.640<br>(16,26) | 0.660<br>(16,76) | 0.495<br>(12,58) | 0.560<br>(14,22) |
| 52                  | 0.740<br>(18,78) | 0.761<br>(19,32) | 0.495<br>(12,58) | 0.560<br>(14,22) |
| 68                  | 0.938<br>(23,83) | 0.962<br>(24,43) | 0.850<br>(21,6)  | 0.858<br>(21,8)  |
| 84                  | 1.141<br>(28,99) | 1.165<br>(29,59) | 1.047<br>(26,6)  | 1.063<br>(27,0)  |



4040140/D 01/11

- NOTES:
- A. All linear dimensions are in inches (millimeters).
  - B. This drawing is subject to change without notice.
  - C. This package can be hermetically sealed with a metal lid.
  - D. Falls within JEDEC MS-004

P (R-PDIP-T8)

PLASTIC DUAL-IN-LINE PACKAGE



- NOTES:
- A. All linear dimensions are in inches (millimeters).
  - B. This drawing is subject to change without notice.
  - C. Falls within JEDEC MS-001 variation BA.

D (R-PDSO-G8)

PLASTIC SMALL OUTLINE



NOTES: A. All linear dimensions are in inches (millimeters).  
 B. This drawing is subject to change without notice.  
 C. Body length does not include mold flash, protrusions, or gate burrs. Mold flash, protrusions, or gate burrs shall not exceed 0.006 (0,15) each side.  
 D. Body width does not include interlead flash. Interlead flash shall not exceed 0.017 (0,43) each side.  
 E. Reference JEDEC MS-012 variation AA.

D (R-PDSO-G8)

PLASTIC SMALL OUTLINE



- NOTES:
- All linear dimensions are in millimeters.
  - This drawing is subject to change without notice.
  - Publication IPC-7351 is recommended for alternate designs.
  - Laser cutting apertures with trapezoidal walls and also rounding corners will offer better paste release. Customers should contact their board assembly site for stencil design recommendations. Refer to IPC-7525 for other stencil recommendations.
  - Customers should contact their board fabrication site for solder mask tolerances between and around signal pads.

## MECHANICAL DATA

PS (R-PDSO-G8)

PLASTIC SMALL-OUTLINE PACKAGE



- NOTES:
- A. All linear dimensions are in millimeters.
  - B. This drawing is subject to change without notice.
  - C. Body dimensions do not include mold flash or protrusion, not to exceed 0,15.



PS (R-PDSO-G8)

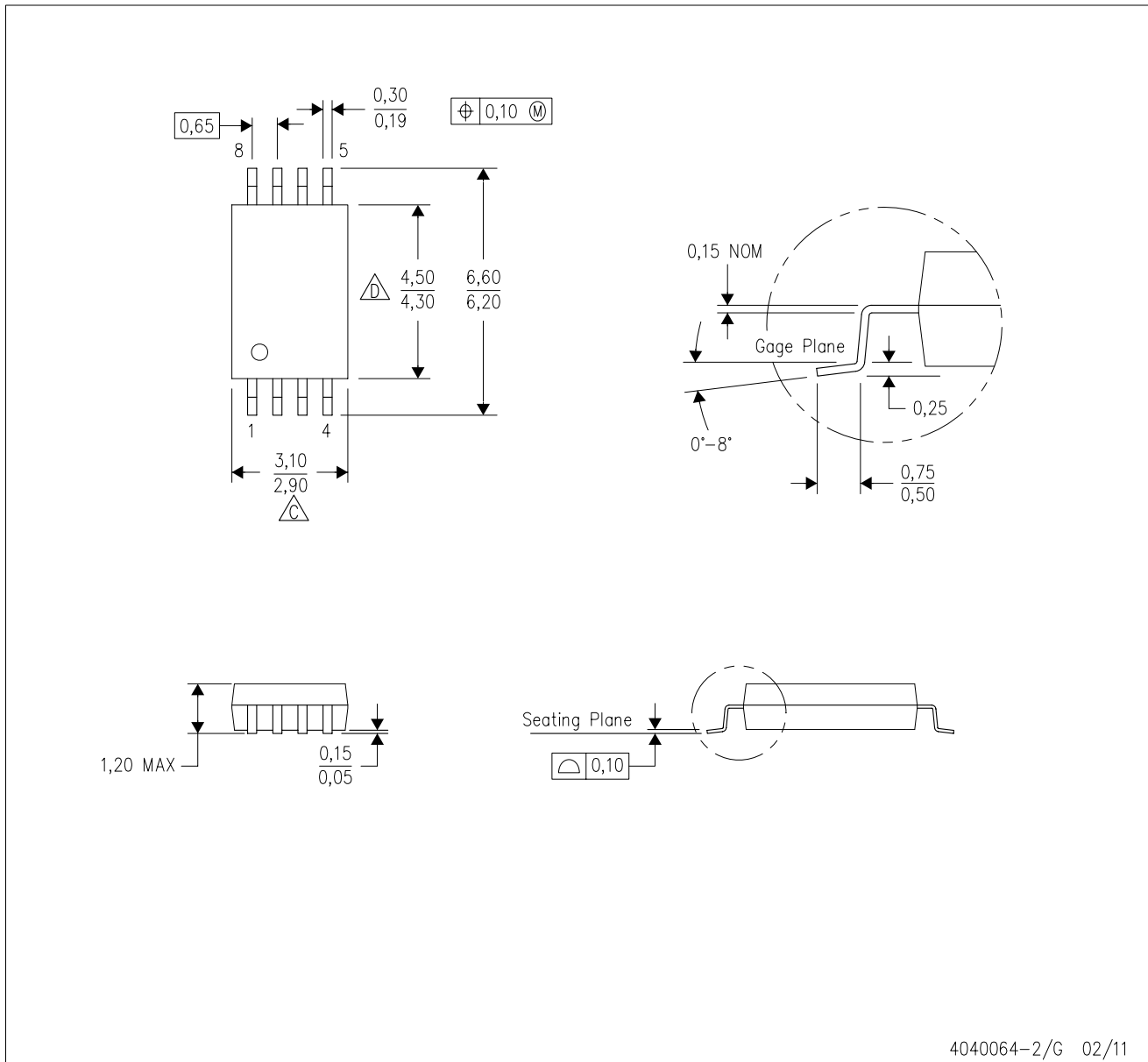
PLASTIC SMALL OUTLINE





- NOTES:
- All linear dimensions are in millimeters.
  - This drawing is subject to change without notice.
  - Publication IPC-7351 is recommended for alternate designs.
  - Laser cutting apertures with trapezoidal walls and also rounding corners will offer better paste release. Customers should contact their board assembly site for stencil design recommendations. Refer to IPC-7525 for other stencil recommendations.
  - Customers should contact their board fabrication site for solder mask tolerances between and around signal pads.

PW (R-PDSO-G8)

PLASTIC SMALL OUTLINE



4040064-2/G 02/11

- NOTES:
- A. All linear dimensions are in millimeters. Dimensioning and tolerancing per ASME Y14.5M-1994.
  - B. This drawing is subject to change without notice.
  -  Body length does not include mold flash, protrusions, or gate burrs. Mold flash, protrusions, or gate burrs shall not exceed 0,15 each side.
  -  Body width does not include interlead flash. Interlead flash shall not exceed 0,25 each side.
  - E. Falls within JEDEC MO-153

## IMPORTANT NOTICE

Texas Instruments Incorporated and its subsidiaries (TI) reserve the right to make corrections, enhancements, improvements and other changes to its semiconductor products and services per JESD46, latest issue, and to discontinue any product or service per JESD48, latest issue. Buyers should obtain the latest relevant information before placing orders and should verify that such information is current and complete. All semiconductor products (also referred to herein as "components") are sold subject to TI's terms and conditions of sale supplied at the time of order acknowledgment.

TI warrants performance of its components to the specifications applicable at the time of sale, in accordance with the warranty in TI's terms and conditions of sale of semiconductor products. Testing and other quality control techniques are used to the extent TI deems necessary to support this warranty. Except where mandated by applicable law, testing of all parameters of each component is not necessarily performed.

TI assumes no liability for applications assistance or the design of Buyers' products. Buyers are responsible for their products and applications using TI components. To minimize the risks associated with Buyers' products and applications, Buyers should provide adequate design and operating safeguards.

TI does not warrant or represent that any license, either express or implied, is granted under any patent right, copyright, mask work right, or other intellectual property right relating to any combination, machine, or process in which TI components or services are used. Information published by TI regarding third-party products or services does not constitute a license to use such products or services or a warranty or endorsement thereof. Use of such information may require a license from a third party under the patents or other intellectual property of the third party, or a license from TI under the patents or other intellectual property of TI.

Reproduction of significant portions of TI information in TI data books or data sheets is permissible only if reproduction is without alteration and is accompanied by all associated warranties, conditions, limitations, and notices. TI is not responsible or liable for such altered documentation. Information of third parties may be subject to additional restrictions.

Resale of TI components or services with statements different from or beyond the parameters stated by TI for that component or service voids all express and any implied warranties for the associated TI component or service and is an unfair and deceptive business practice. TI is not responsible or liable for any such statements.

Buyer acknowledges and agrees that it is solely responsible for compliance with all legal, regulatory and safety-related requirements concerning its products, and any use of TI components in its applications, notwithstanding any applications-related information or support that may be provided by TI. Buyer represents and agrees that it has all the necessary expertise to create and implement safeguards which anticipate dangerous consequences of failures, monitor failures and their consequences, lessen the likelihood of failures that might cause harm and take appropriate remedial actions. Buyer will fully indemnify TI and its representatives against any damages arising out of the use of any TI components in safety-critical applications.

In some cases, TI components may be promoted specifically to facilitate safety-related applications. With such components, TI's goal is to help enable customers to design and create their own end-product solutions that meet applicable functional safety standards and requirements. Nonetheless, such components are subject to these terms.

No TI components are authorized for use in FDA Class III (or similar life-critical medical equipment) unless authorized officers of the parties have executed a special agreement specifically governing such use.

Only those TI components which TI has specifically designated as military grade or "enhanced plastic" are designed and intended for use in military/aerospace applications or environments. Buyer acknowledges and agrees that any military or aerospace use of TI components which have **not** been so designated is solely at the Buyer's risk, and that Buyer is solely responsible for compliance with all legal and regulatory requirements in connection with such use.

TI has specifically designated certain components as meeting ISO/TS16949 requirements, mainly for automotive use. In any case of use of non-designated products, TI will not be responsible for any failure to meet ISO/TS16949.

### Products

|                              |  |
|------------------------------|--|
| Audio                        | <a href="http://www.ti.com/audio">www.ti.com/audio</a>                               |
| Amplifiers                   | <a href="http://amplifier.ti.com">amplifier.ti.com</a>                               |
| Data Converters              | <a href="http://dataconverter.ti.com">dataconverter.ti.com</a>                       |
| DLP® Products                | <a href="http://www.dlp.com">www.dlp.com</a>   |
| DSP                          | <a href="http://dsp.ti.com">dsp.ti.com</a>   |
| Clocks and Timers            | <a href="http://www.ti.com/clocks">www.ti.com/clocks</a>                             |
| Interface                    | <a href="http://interface.ti.com">interface.ti.com</a>                               |
| Logic                        | <a href="http://logic.ti.com">logic.ti.com</a>                                       |
| Power Mgmt                   | <a href="http://power.ti.com">power.ti.com</a>                                       |
| Microcontrollers             | <a href="http://microcontroller.ti.com">microcontroller.ti.com</a>                   |
| RFID                         | <a href="http://www.ti-rfid.com">www.ti-rfid.com</a>                                 |
| OMAP Applications Processors | <a href="http://www.ti.com/omap">www.ti.com/omap</a>                                 |
| Wireless Connectivity        | <a href="http://www.ti.com/wirelessconnectivity">www.ti.com/wirelessconnectivity</a> |

### Applications

|                               |  |
|-------------------------------|--|
| Automotive and Transportation | <a href="http://www.ti.com/automotive">www.ti.com/automotive</a>                         |
| Communications and Telecom    | <a href="http://www.ti.com/communications">www.ti.com/communications</a>                 |
| Computers and Peripherals     | <a href="http://www.ti.com/computers">www.ti.com/computers</a>                           |
| Consumer Electronics          | <a href="http://www.ti.com/consumer-apps">www.ti.com/consumer-apps</a>                   |
| Energy and Lighting           | <a href="http://www.ti.com/energy">www.ti.com/energy</a>                                 |
| Industrial                    | <a href="http://www.ti.com/industrial">www.ti.com/industrial</a>                         |
| Medical                       | <a href="http://www.ti.com/medical">www.ti.com/medical</a>                               |
| Security                      | <a href="http://www.ti.com/security">www.ti.com/security</a>                             |
| Space, Avionics and Defense   | <a href="http://www.ti.com/space-avionics-defense">www.ti.com/space-avionics-defense</a> |
| Video and Imaging             | <a href="http://www.ti.com/video">www.ti.com/video</a>                                   |

### TI E2E Community

[e2e.ti.com](http://e2e.ti.com)