

COBP PHOTO SENSOR with Two Green LED

■ GENERAL DISCRIPTION

NJL5310R is the compact surface mount type photo sensor, which is built in Two GREEN LED and a high sensitive photo diode. This product is suit for the application for Bio monitor as pulse rate.

■ FEATURES

- Peak wavelength: 525nm
- High output, High S/N
- Miniature, thin package: 3.15x4.35x0.8mm
- Pb free solder reflowing permitted: 260°C, 2times
- Halogen free, Pb free
- Compliant with RoHS directive

■ APPLICATION

- Bio monitor as pulse rate

■ ABSOLUTE MAXIMUM RATINGS (Ta=25°C)

PARAMETER	SYMBOL	RATINGS	UNIT
Emitter			
Forward Current (Continuous) ^{*1}	IF	15	mA
Reverse Voltage (Continuous)	VR	5	V
Power Dissipation	PD	65	mW
Detector			
Reverse Voltage	VR	35	V
Power Dissipation	PD	20	mW
Coupled			
Total Power Dissipation	Ptot	85	mW
Operating Temperature	Topr	-20 to +70	°C
Storage Temperature	Tstg	-30 to +85	°C
Reflow Soldering Temperature	Tsol	260	°C

*1 This is current value of each 1pcs LED.

■ ELECTRO-OPTICAL CHARACTERISTICS (Ta=25°C)

PARAMETER	SYMBOL	TEST CONDITION	MIN	TYP	MAX	UNIT
Emitter						
DC Forward Voltage	V _F	I _F =10mA	—	3	3.5	V
Pulse Forward Voltage *1	V _{FP}	I _{FP} =100mA	—	4	—	V
Reverse Current	I _R	V _R =5V	—	—	10	μA
Peak Wavelength	λ _P	I _F =10mA	—	525	—	nm
Detector						
Dark Current	I _D	V _R =10V, Without incident light	—	0.1	2	nA
Forward Voltage	V _F	I _F =1mA, Without incident light	—	—	1.2	V
Terminal Capacitance	C _t	V _R =0V, f=1MHz	—	30	—	pF
		V _R =2.5V, f=1MHz	—	13	—	pF
Peak Wavelength	λ _P		—	800	—	nm
Coupled						
Output Current *2	I _O	I _F =4mA (*4), V _R =2.5V, d=2.0mm (*5)	7	—	20	μA
Operating Dark Current *3	I _{LD}	I _F =4mA (*4), V _R =2.5V, Without reflective plate	—	30	200	nA
Response Time(Rise/Fall)	t _r	V _R =0V, R _L =1kΩ	—	400	—	ns
		V _R =2.5V, R _L =1kΩ	—	250	—	ns
	t _f	V _R =0V, R _L =1kΩ	—	400	—	ns
		V _R =2.5V, R _L =1kΩ	—	250	—	ns

*1 Pulse duty 0.5% (Pulse width 100μs, Period 20ms)

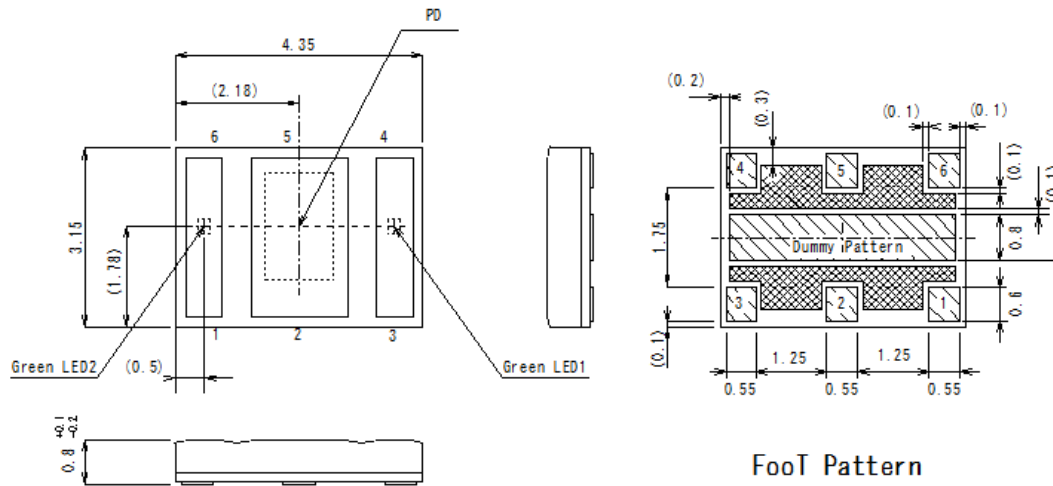
*2 Please refer to "Output Current Test Condition".

*3 I_D may increase according to the periphery situation of the surface mounted condition.

*4 Total current of each LED (I_F=2mA/pcs).

*5 Distance from the package undersurface to the aluminum evaporation surface.

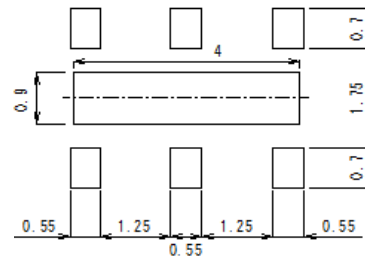
■ OUTLINE unit:mm



1. Anode for Green LED2
2. Anode for PD
3. Anode for Green LED1
4. Cathode for Green LED1
5. Cathode for PD
6. Cathode for Green LED2

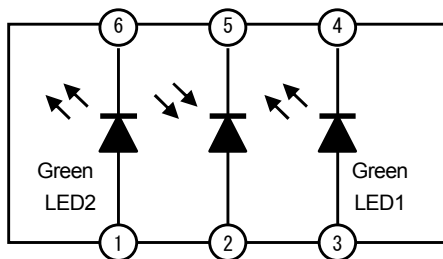
Unspecified tolerance : ± 0.1 mm
 Dimensions in parenthesis are shown for reference.

Foot Pattern



* : Dummy pattern should be floating or connecting to GND.

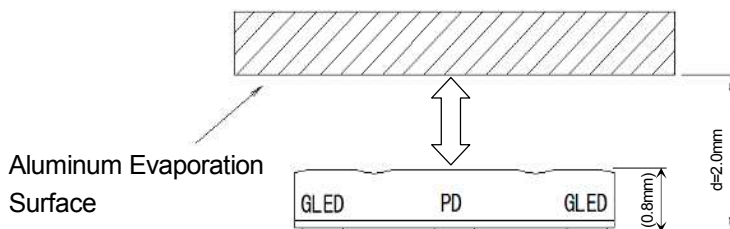
■ BLOCK DIAGRAM



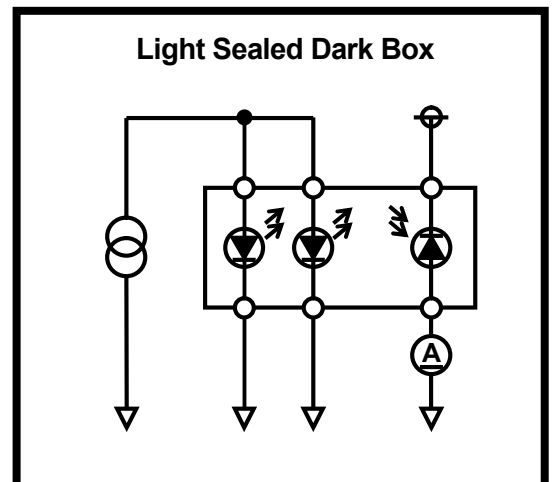
1. Anode for Green LED2
2. Anode for PD
3. Anode for Green LED1
4. Cathode for Green LED1
5. Cathode for PD
6. Cathode for Green LED2

■ OUTPUT CURRENT TEST CONDITION

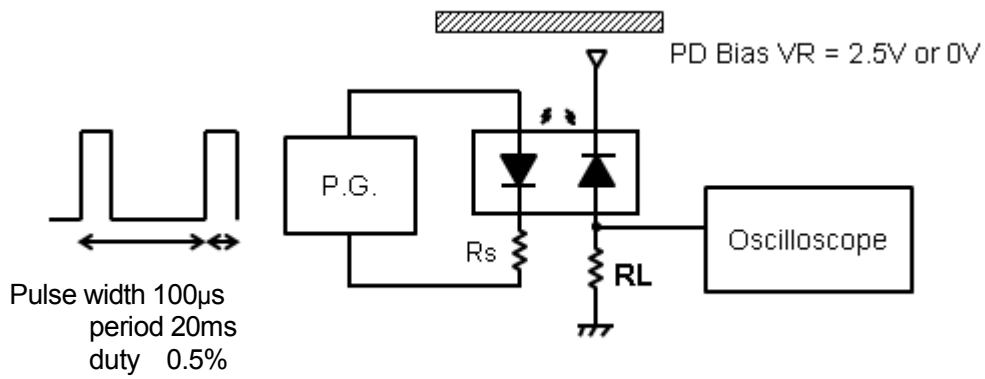
The signal from LED is reflected at the aluminum surface.



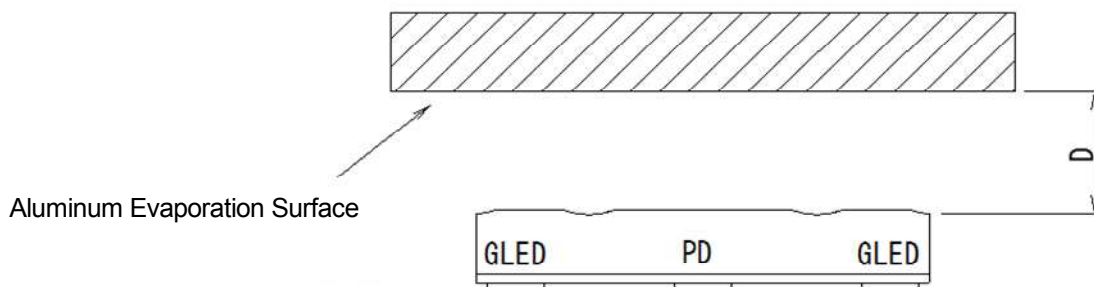
■ DARK CURRENT TEST CONDITION



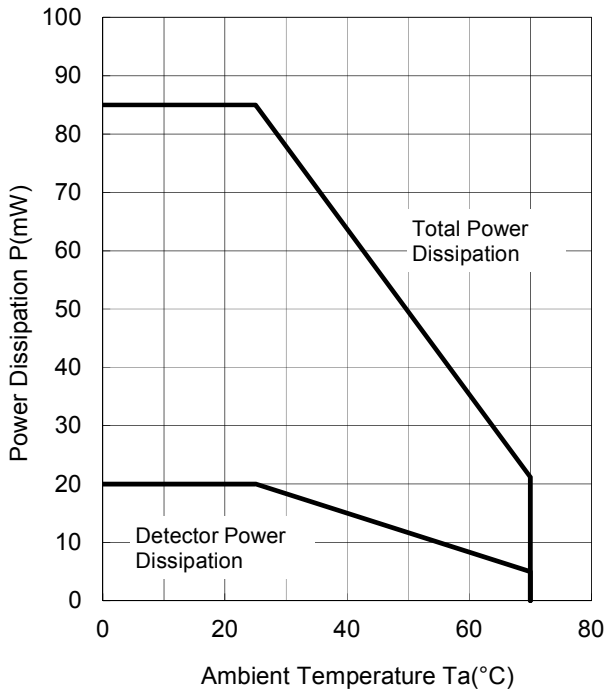
■ RESPONSE TIME TEST CONDITION



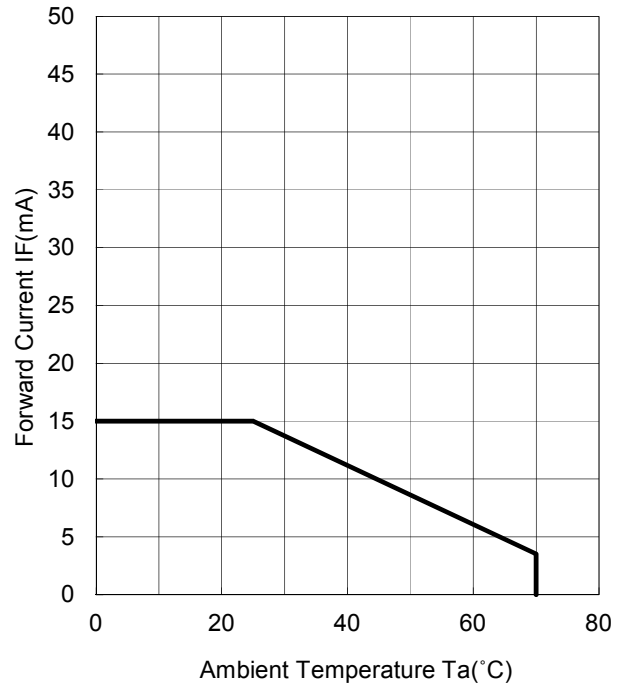
■ OUTPUT CURRENT vs. DISTANCE TEST CONDITION



Power Dissipation vs. Temperature

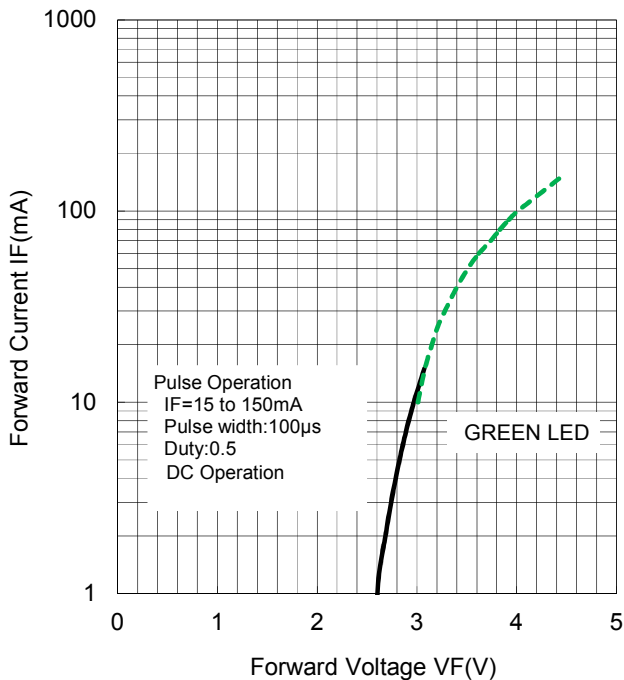


**Forward Current vs. Temperature
GREEN LED**

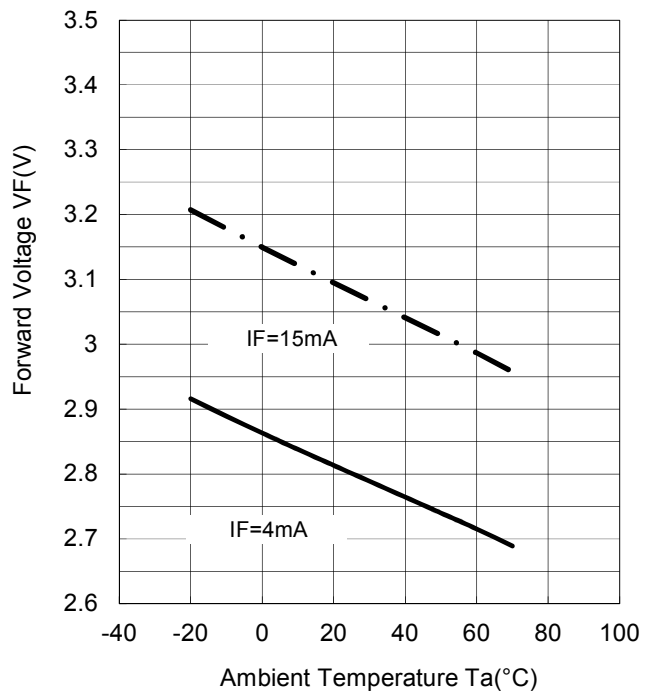


■ **TYPICAL CHARACTERISTICS**

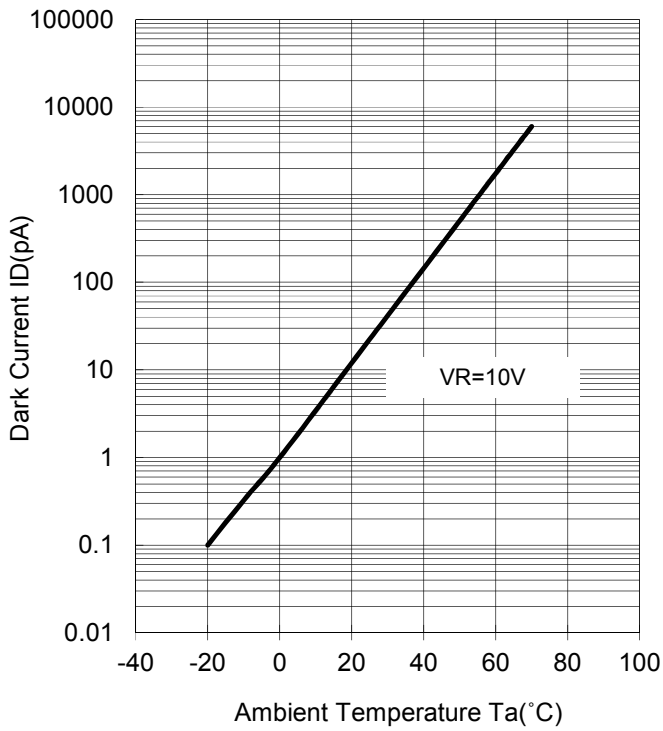
**Forward Voltage vs. Forward Current
GREEN LED**



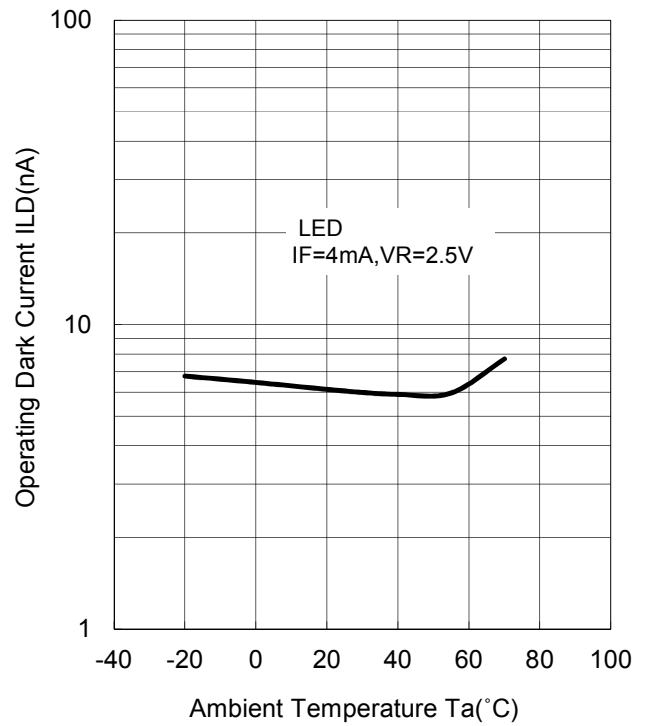
**Forward Voltage vs. Temperature
GREEN LED**



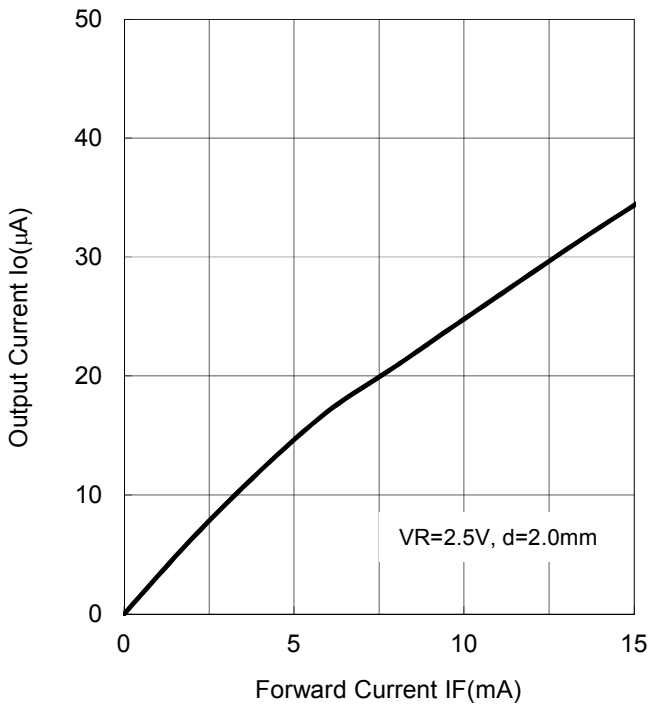
Dark Current vs. Temperature



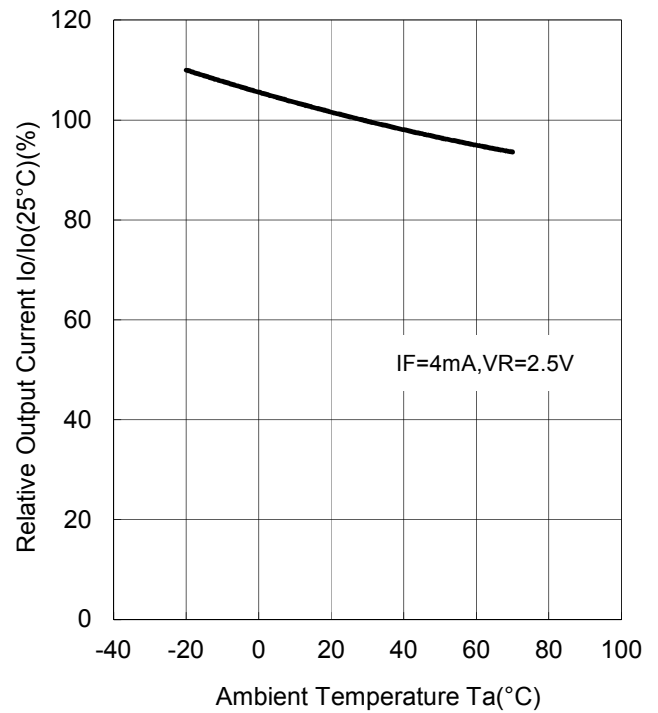
Operating Dark Current vs. Temperature LED



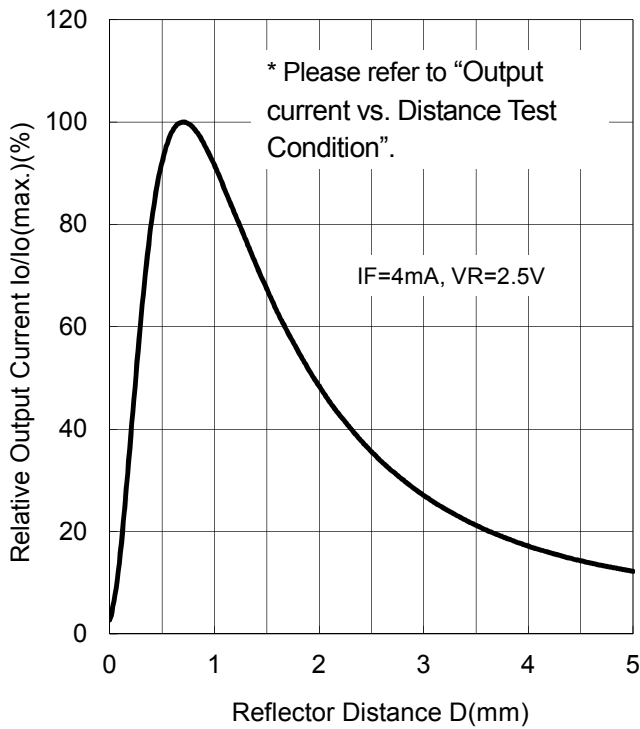
Output Current vs. Forward Current (Ta=25°C)



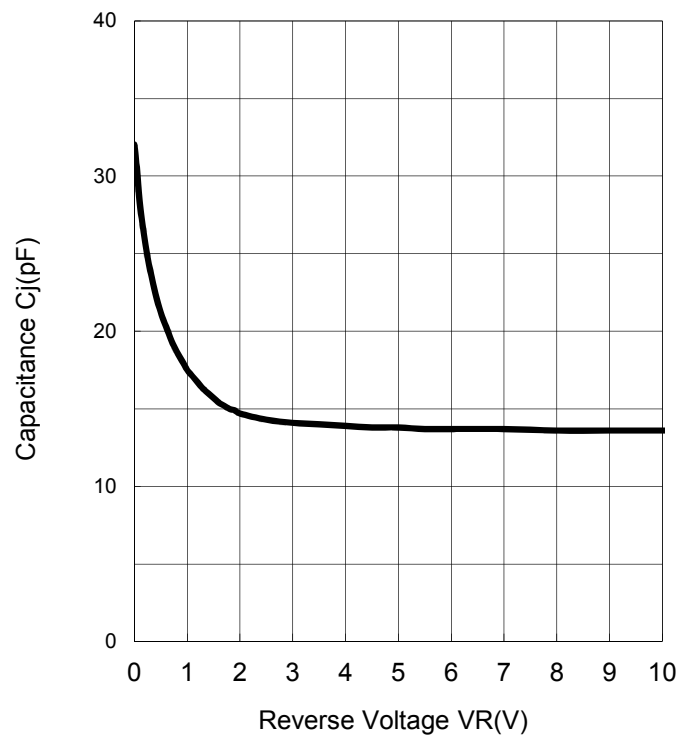
Output Current vs. Temperature



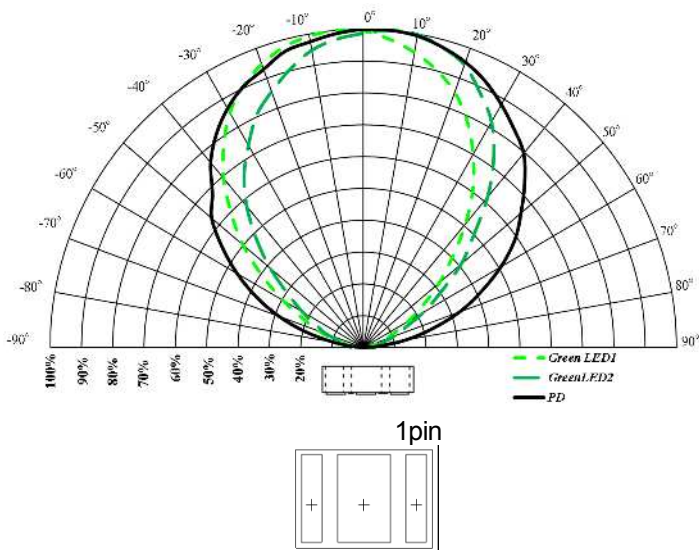
Output Current vs. Distance
($T_a=25^\circ\text{C}$)



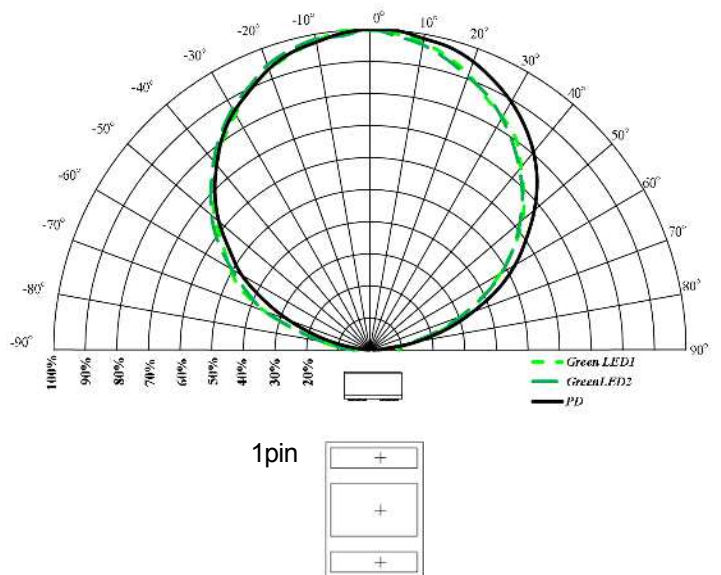
Capacitance vs. Reverse Voltage
($T_a=25^\circ\text{C}$)



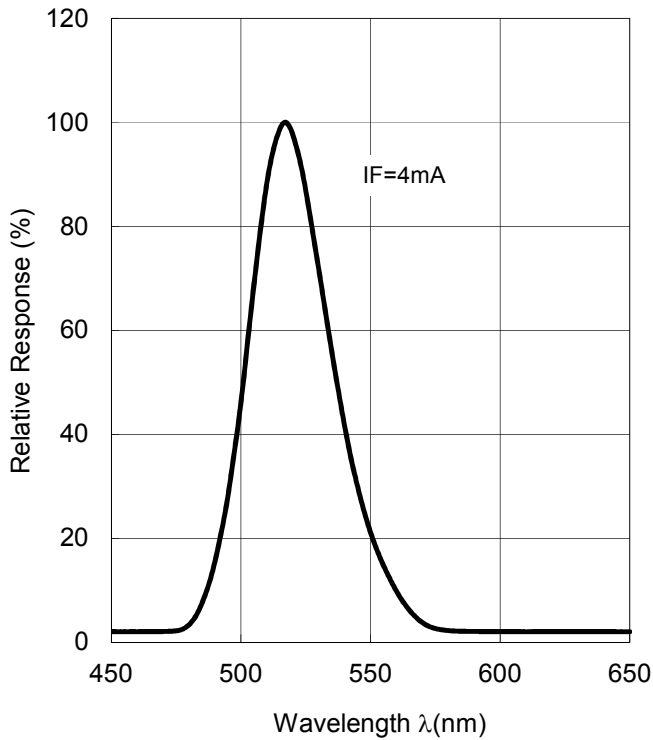
Directivity at Package direction X



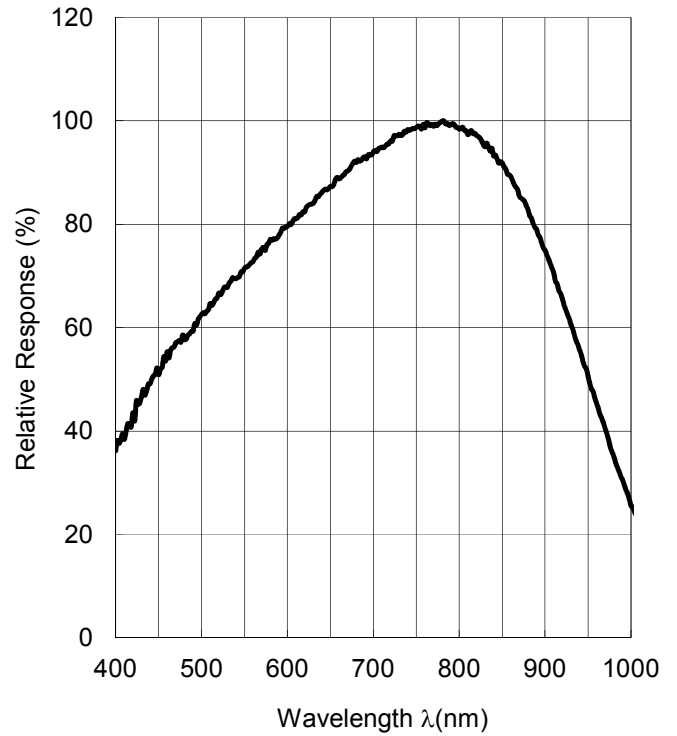
Directivity at Package direction Y



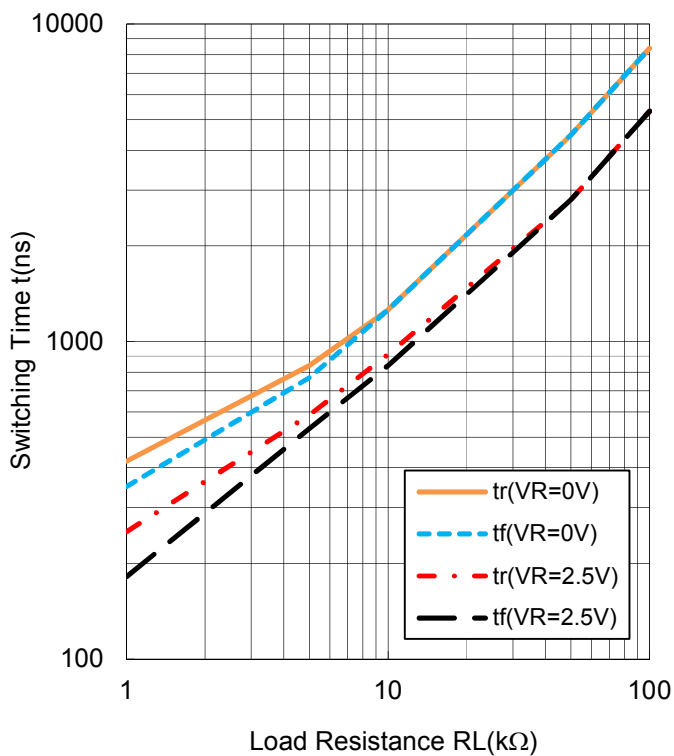
**Spectral Response (Ta=25°C)
Emitter GREEN LED**



**Spectral Response (Ta=25°C)
Detector**



**Switching Time vs. Load Resistance
(Ta=25°C)**



Attention: Please be aware that all data in the graph are just for reference and not for guarantee.

■ MOUNTING METHOD

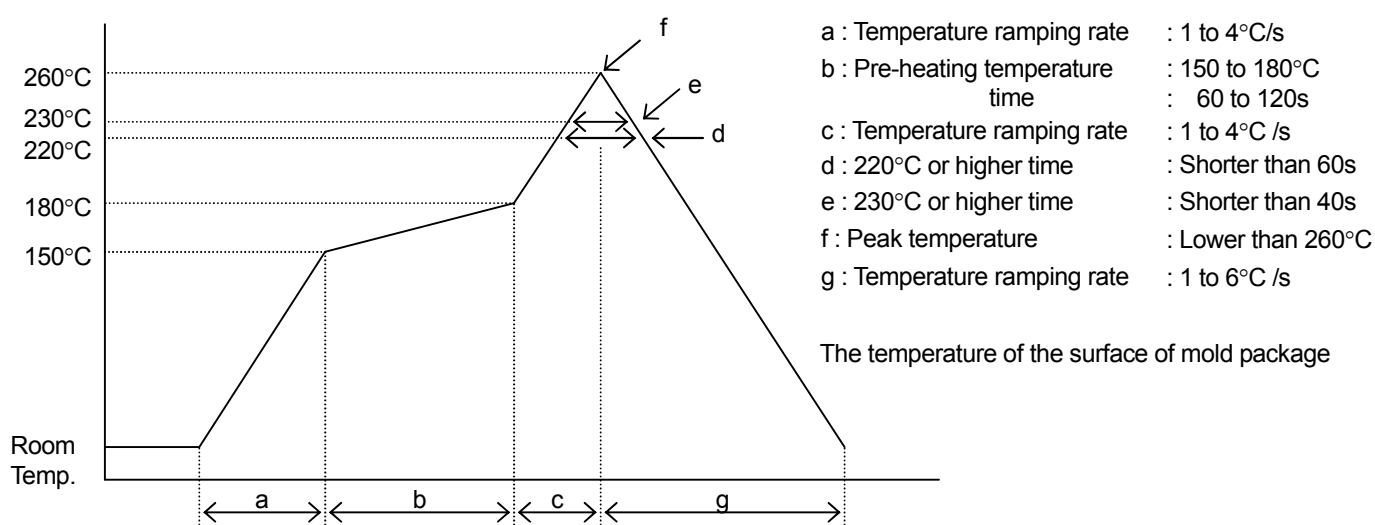
NOTE

Mounting was evaluated with the following profiles in our company, so there was no problem.
However, confirm mounting by the condition of your company beforehand.

Mounting: Twice soldering is allowed.

■ INFRARED REFLOW SOLDERING METHOD

Recommended reflow soldering procedure



(NOTE1) Using reflow furnace with short wave infrared radiation heater such as halogen lamp

Regarding temperature profile, please refer to those fo reflow furnace.

In this case the resin surface temperature may become higher than lead terminals due to endothermic ally of black colored mold resin. Therefore, please avoid from direct exposure to mold resin.

(NOTE2) Other method

Such other methods of soldering as dipping the device into melted solder and vapor phase method (VPS) are not appropriate because the body of device will be heated rapidly. Therefore, these are not recommended to apply.

(NOTE3) The resin gets softened right after soldering, so, the following care has to be taken

Not to contact the lens surface to anything.

Not to dip the device into water or any solvents.

■ FLOE SOLDERING METHOD

Flow soldering is not possible.

■ IRON SOLDERING METHOD

Iron soldering is not possible.

■ CLEANING

Avoid washing the device after soldering by reflow method.

■ IC STORAGE CONDITIONS AND ITS DURATION

(1) Temperature and humidity ranges

Pack Sealing	Temperature:	5 to 40 [°C]
	Humidity:	40 to 80 [%]
Pack Opening	Temperature:	5 to 30 [°C]
	Humidity:	40 to 70 [%]

After opening the bag, solder products within 48h.

Avoid a dry environment below 40% because the products are easily damageable by the electrical discharge.

Store the products in the place where it does not create dew with the products due to a sudden change in temperature.

(2) When baking, place the reel vertically to avoid load to the side.

(3) Do not store the devices in corrosive-gas atmosphere.

(4) Do not store the devices in a dusty place.

(5) Do not expose the devices to direct rays of the sun.

(6) Do not allow external forces or loads to be applied to IC's.

(7) Be careful because affixed label on the reel might be peeled off when baking.

(8) The product is recommended to do the baking before using for the stability of the quality.

■ BAKING

In case of keeping expect above condition be sure to apply baking. (Heat-resistant tape)

Baking method: Ta=60°C, 48 to 72h, Three times baking is allowed

■ STORAGE DURATION

Within a year after delivering this device.

For the products stored longer than a year, confirm their terminals and solderability before they are used.

■ MOISTURE SENSITIVITY LEVELS

JEDEC : Level 5

■ APPLICATION NOTES

(1) Attention in handling

Treat not to touch the light receiving and light emitting part.

Avoid to adhering the dust and any other foreign materials on the light receiving and light emitting part when using.

When LED has operated by voltage, it should be connected the resistor of current adjustment. Avoid to applying direct voltage to LED, because there is possibility that LED is destroyed.

When mounting, special care has to be taken on the mounting position and tilting of the device because it is very important to place the device to the optimum position to the object.

(2) Attention in designing

Avoid the entering ambient light into light receiving part for avoid the malfunction by ambient light. Furthermore, there is possibility of malfunction when there are the other mounted parts by near this product peripheral.

There will be changing characteristics by detection object. Refer to this datasheet and evaluate by actual detection object.

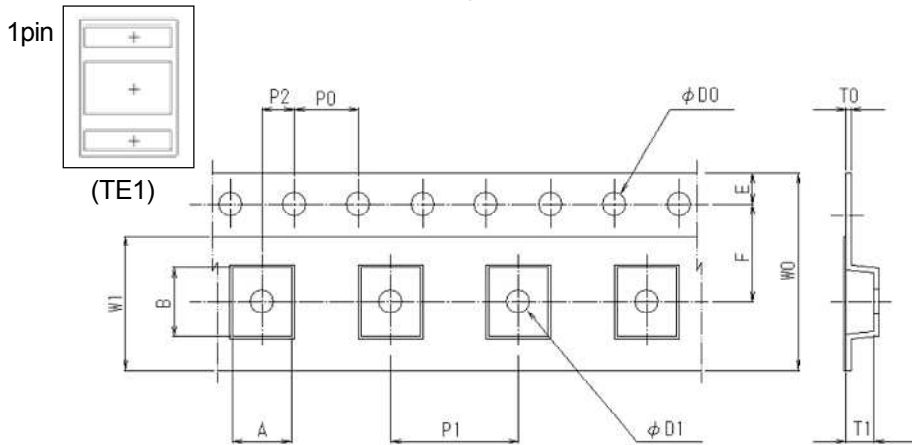
When LED has been applied continuous power on long period of time, the output current is dropped. If it uses by always applying power to LED, have to consider the circuit designing of including output current decrease.

PACKING SPECIFICATION

PACKING DIMENSION UNIT:mm

Insert direction

Drawing direction →



SYMBOL	DIMENSION	REMARKS
A	3.5 ±0.10	BOTTOM DIMENSION
B	4.7 ±0.10	BOTTOM DIMENSION
D0	φ1.50 ^{+0.1} ₋₀	
D1	φ1.50 ^{+0.2} ₋₀	
E	1.75 ±0.10	
F	5.50 ±0.05	
P0	4.00 ±0.10	
P1	8.00 ±0.10	
P2	2.00 ±0.05	
T0	0.25 ±0.05	
T1	1.28 ±0.10	
W0	12.00 ±0.10	
W1	9.3 ±0.10	THICKNESS 0.1MAX

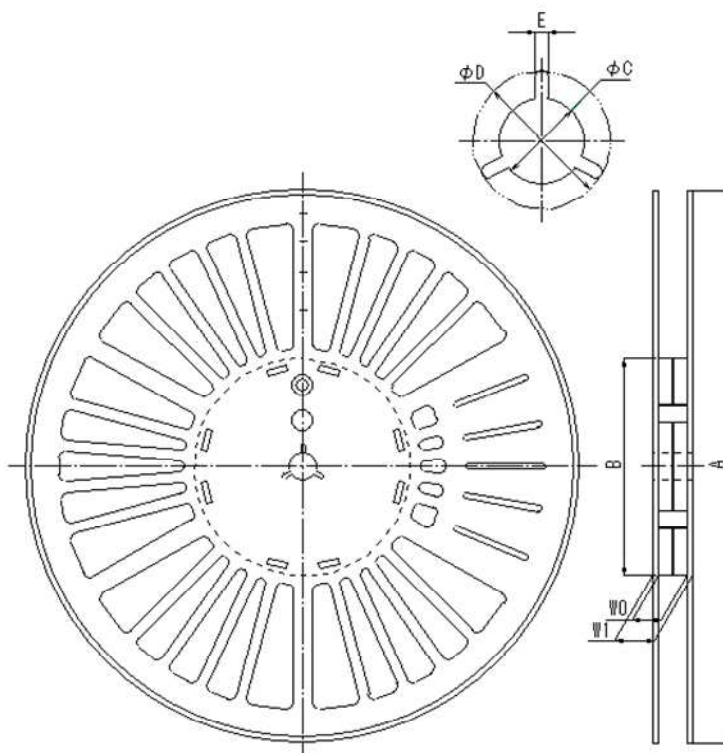
Carrier tape material: Polycarbonate(antistatic)
Cover tape material: Polyester(antistatic)

Taping Strength

Pull up the cover tape from the carrier tape, and when the opening angle comes around 165 to 180°, and the peeling-off strength is to be within the power of 0.2 to 0.7N.

Packaging

- 1) The taped products are to be rolled up on the taping reel as on the drawing.
- 2) Rolling up specification
 - 2-1) Start rolling : Carrier tape open space more than 20 Pieces.
 - 2-2) End of rolling : Carrier tape open space more than 20 Pieces, and 2 round of reel space at the cover tape only.
- 3) Taping quantity : 3,000 Pieces.
- 4) Seal off after putting each reels in a damp proof bag with silica gel.



SYMBOL	DIMENSION
A	φ254 ±1.0
B	φ100 ±1.0
C	φ13 ±0.2
D	φ21 ±0.8
E	2.0 ±0.5
W0	13.5 ±1.0
W1	18.5 ±1.0

* Reel material : PPE(antistatic)

[CAUTION]

The specifications on this databook are only given for information, without any guarantee as regards either mistakes or omissions. The application circuits in this databook are described only to show representative usages of the product and not intended for the guarantee or permission of any right including the industrial rights.