

MM78C29/MM88C29 Quad Single-Ended Line Driver MM78C30/MM88C30 Dual Differential Line Driver

General Description

The MM78C30/MM88C30 is a dual differential line driver that also performs the dual four-input NAND or dual four-input AND function. The absence of a clamp diode to V_{CC} in the input protection circuitry of the MM78C30/MM88C30 allows a CMOS user to interface systems operating at different voltage levels. Thus, a CMOS digital signal source can operate at a V_{CC} voltage greater than the V_{CC} voltage of the MM78C30 line driver. The differential output of the MM78C30/MM88C30 eliminates ground-loop errors.

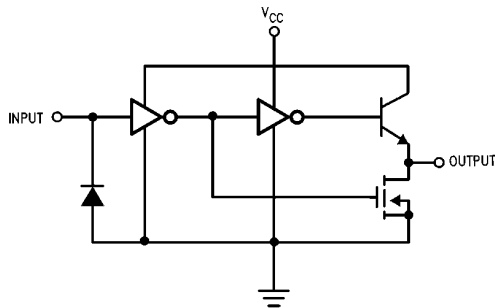
The MM78C29/MM88C29 is a non-inverting single-wire transmission line driver. Since the output ON resistance is a low 20Ω typ., the device can be used to drive lamps, relays, solenoids, and clock lines, besides driving data lines.

Features

- Wide supply voltage range 3V to 15V
- High noise immunity $0.45 V_{CC}$ (typ.)
- Low output ON resistance 20Ω (typ.)

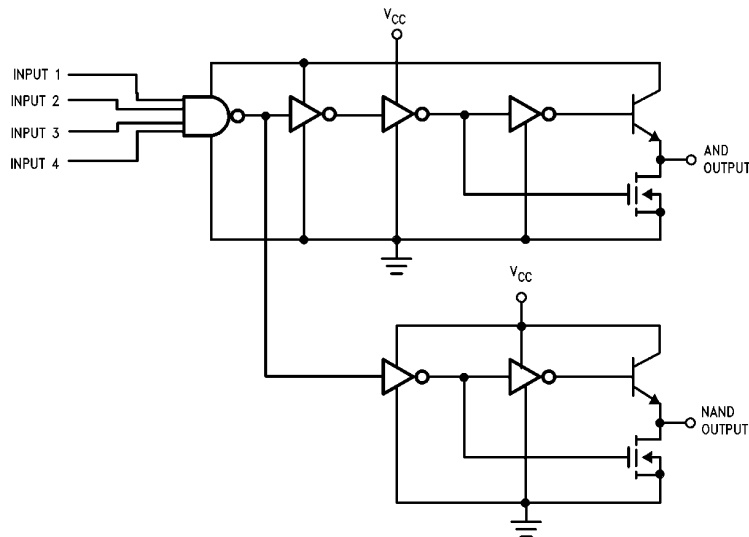
Logic Diagrams

1/4 MM78C29/MM88C29



TL/F/5908-1

1/2 MM78C30/MM88C30



TL/F/5908-2

Absolute Maximum Ratings (Note 1)

If Military/Aerospace specified devices are required, please contact the National Semiconductor Sales Office/Distributors for availability and specifications.

Operating V_{CC} Range	3V to 15V
Absolute Maximum V_{CC}	18V
Average Current at Output	
MM78C30/MM88C30	50 mA
MM78C29/MM88C29	25 mA
Maximum Junction Temperature, T_j	150°C
Lead Temperature (Soldering, 10 seconds)	260°C
Voltage at Any Pin (Note 1)	-0.3V to $V_{CC} + 16V$
Operating Temperature Range	
MM78C29/MM78C30	-55°C to +125°C
MM88C29/MM88C30	-40°C to +85°C
Storage Temperature	-65°C to +150°C
Power Dissipation (P_D)	
Dual-In-Line	700 mW
Small Outline	500 mW

DC Electrical Characteristics Min/Max limits apply across temperature range unless otherwise noted

Symbol	Parameter	Conditions	Min	Typ	Max	Units
CMOS TO CMOS						
$V_{IN(1)}$	Logical "1" Input Voltage	$V_{CC} = 5V$ $V_{CC} = 10V$	3.5 8			V V
$V_{IN(0)}$	Logical "0" Input Voltage	$V_{CC} = 5V$ $V_{CC} = 10V$			1.5 2	V V
$I_{IN(1)}$	Logical "1" Input Current	$V_{CC} = 15V, V_{IN} = 15V$		0.005	1	μA
$I_{IN(0)}$	Logical "0" Input Current	$V_{CC} = 15V, V_{IN} = 0V$	-1	-0.005		μA
I_{CC}	Supply Current	$V_{CC} = 5V$		0.05	100	mA
OUTPUT DRIVE						
I_{SOURCE}	Output Source Current MM78C29/MM78C30	$V_{OUT} = V_{CC} - 1.6V,$ $V_{CC} \geq 4.5V, T_j = 25^\circ C$ $T_j = 125^\circ C$	-57 -32	-80 -50		mA mA
	MM88C29/MM88C30	$V_{OUT} = V_{CC} - 1.6V,$ $V_{CC} \geq 4.75V, T_j = 25^\circ C$ $T_j = 85^\circ C$	-47 -32	-80 -60		mA mA
	MM78C29/MM88C29 MM78C30/MM88C30	$V_{OUT} = V_{CC} - 0.8V$ $V_{CC} \geq 4.5V$	-2	-20		mA
I_{SINK}	Output Sink Current MM78C29/MM78C30	$V_{OUT} = 0.4V, V_{CC} = 4.5V,$ $T_j = 25^\circ C$ $T_j = 125^\circ C$	11 8	20 14		mA mA
		$V_{OUT} = 0.4V, V_{CC} = 10V,$ $T_j = 25^\circ C$ $T_j = 125^\circ C$	22 16	40 28		mA mA
	MM88C29/MM88C30	$V_{OUT} = 0.4V, V_{CC} = 4.75V,$ $T_j = 25^\circ C$ $T_j = 85^\circ C$	9.5 8	22 18		mA mA
		$V_{OUT} = 0.4V, V_{CC} = 10V,$ $T_j = 25^\circ C$ $T_j = 125^\circ C$	19 15.5	40 33		mA mA
I_{SOURCE}	Output Source Resistance MM78C29/MM78C30	$V_{OUT} = V_{CC} - 1.6V,$ $V_{CC} \geq 4.5V, T_j = 25^\circ C$ $T_j = 125^\circ C$		20 32	28 50	Ω Ω
	MM88C29/MM88C30	$V_{OUT} = V_{CC} - 1.6V,$ $V_{CC} \geq 4.75V, T_j = 25^\circ C$ $T_j = 85^\circ C$		20 27	34 50	Ω Ω

DC Electrical Characteristics

Min/Max limits apply across temperature range, unless otherwise noted (Continued)

Symbol	Parameter	Conditions	Min	Typ	Max	Units
OUTPUT DRIVE (Continued)						
I_{SINK}	Output Sink Resistance MM78C29/MM78C30	$V_{OUT} = 0.4V, V_{CC} = 4.50V,$ $T_j = 25^\circ C$		20	36	Ω
		$T_j = 125^\circ C$		28	50	Ω
	MM88C29/MM88C30	$V_{OUT} = 0.4V, V_{CC} = 10V,$ $T_j = 25^\circ C$		10	18	Ω
		$T_j = 125^\circ C$		14	25	Ω
MM88C29/MM88C30	$V_{OUT} = 0.4V, V_{CC} = 4.75V,$ $T_j = 25^\circ C$		18	41	Ω	
	$T_j = 85^\circ C$		22	50	Ω	
	Output Resistance Temperature Coefficient Source Sink			0.55		$\%/^\circ C$
				0.40		$\%/^\circ C$
θ_{JA}	Thermal Resistance MM78C29/MM78C30 (D-Package)			100		$^\circ C/W$
	MM88C29/MM88C30 (N-Package)			150		$^\circ C/W$

AC Electrical Characteristics* $T_A = 25^\circ C, C_L = 50 pF$

Symbol	Parameter	Conditions	Min	Typ	Max	Units
t_{pd}	Propagation Delay Time to Logical "1" or "0" MM78C29/MM88C29	(See Figure 2)				
		$V_{CC} = 5V$		80	200	ns
	$V_{CC} = 10V$		35	100	ns	
	MM78C30/MM88C30	$V_{CC} = 5V$		110	350	ns
		$V_{CC} = 10V$		50	150	ns
t_{pd}	Differential Propagation Delay Time to Logical "1" or "0" MM78C30/MM88C30	$R_L = 100\Omega, C_L = 5000 pF$ (See Figure 1) $V_{CC} = 5V$ $V_{CC} = 10V$			400 150	ns ns
C_{IN}	Input Capacitance MM78C29/MM88C29 MM78C30/MM88C30	(Note 3)		5.0		pF
		(Note 3)		5.0		pF
C_{PD}	Power Dissipation Capacitance MM78C29/MM88C29 MM78C30/MM88C30	(Note 3)		150		pF
		(Note 3)		200		pF

*AC Parameters are guaranteed by DC correlated testing.

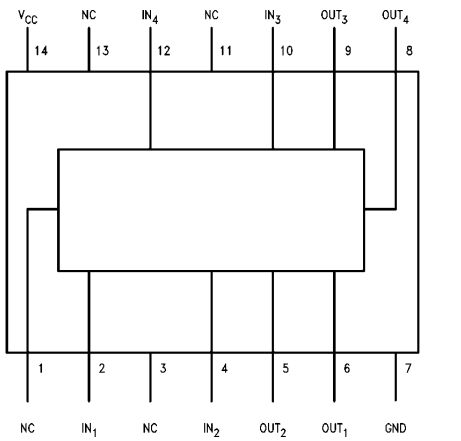
Note 1: "Absolute Maximum Ratings" are those values beyond which the safety of the device cannot be guaranteed. Except for "Operating Temperature Range" they are not meant to imply that the devices should be operated at these limits. The table of "Electrical Characteristics" provides conditions for actual device operation.

Note 2: Capacitance is guaranteed by periodic testing.

Note 3: C_{PD} determines the no load AC power consumption of any CMOS device. For complete explanation see 54C/74C Family Characteristics application note AN-90 (CMOS Logic Databook).

Connection Diagrams

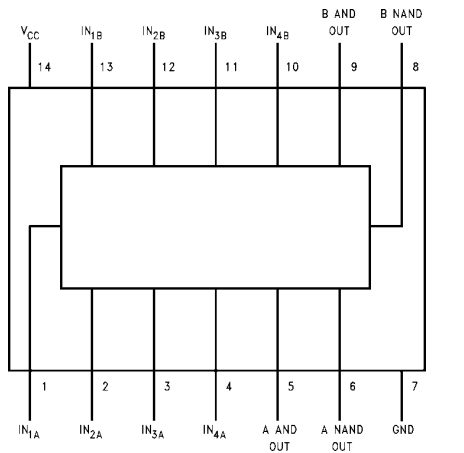
**Dual-In-Line Package
MM78C29/MM88C29**



Top View

TL/F/5908-3

**Dual-In-Line Package
MM78C30/MM88C30**



Top View

TL/F/5908-4

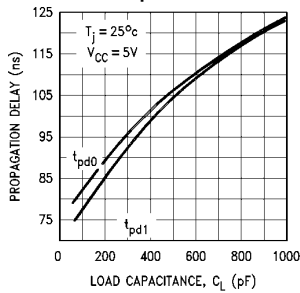
Order Number MM88C29M or MM88C29N

Order Number MM88C30M or MM88C30N

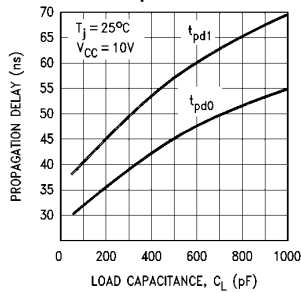
For Complete Military 883 Specifications, see RETS Data Sheet.
Order Number MM78C29J/883, MM78C29W/883, MM78C30J/883 or MM78C30W/883

Typical Performance Characteristics

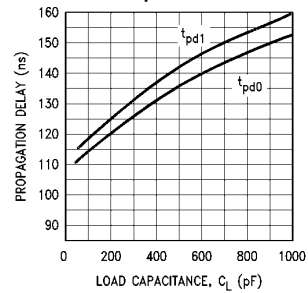
**MM78C29/MM88C29
Typical Propagation Delay vs
Load Capacitance**



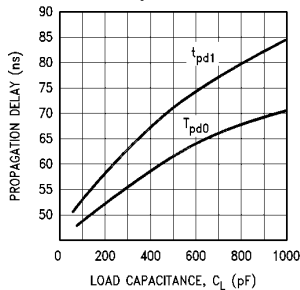
**MM78C29/MM88C29
Typical Propagation Delay vs
Load Capacitance**



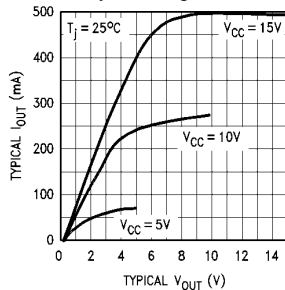
**MM78C30/MM88C30
Typical Propagation Delay vs
Load Capacitance**



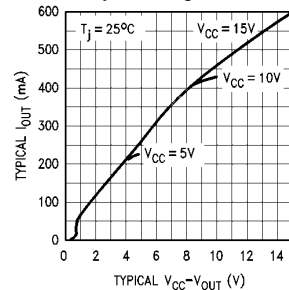
**MM78C30/MM88C30
Typical Propagation Delay vs
Load Capacitance**



**Typical Sink Current vs
Output Voltage**

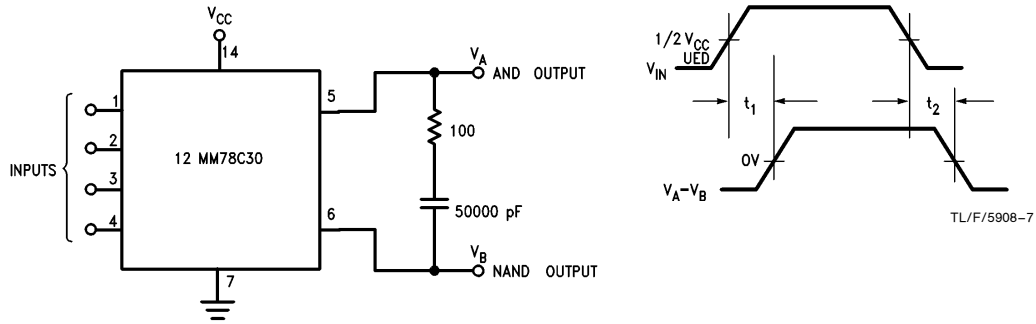


**Typical Source Current vs
Output Voltage**

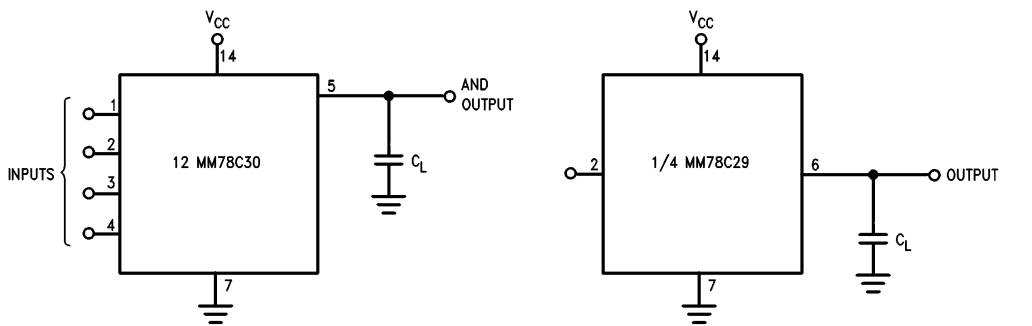


TL/F/5908-5

AC Test Circuits



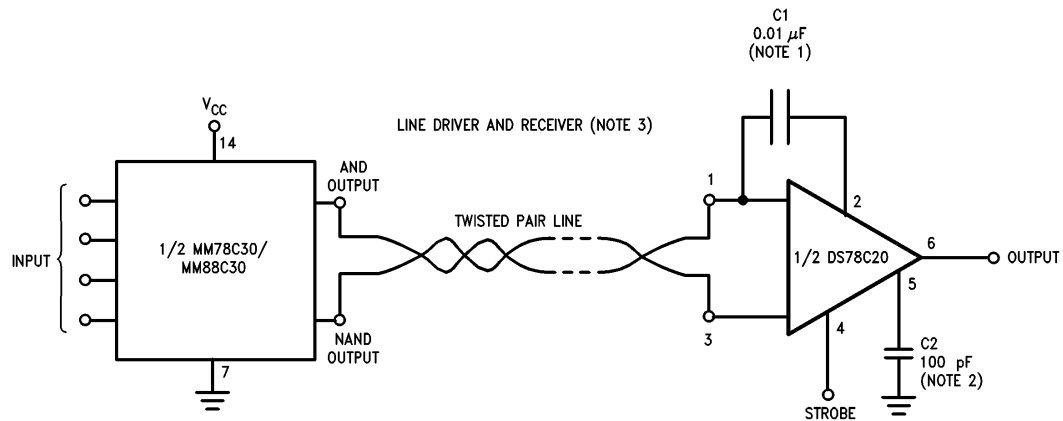
TL/F/5908-6
FIGURE 1



TL/F/5908-8
FIGURE 2

Typical Applications

Digital Data Transmission



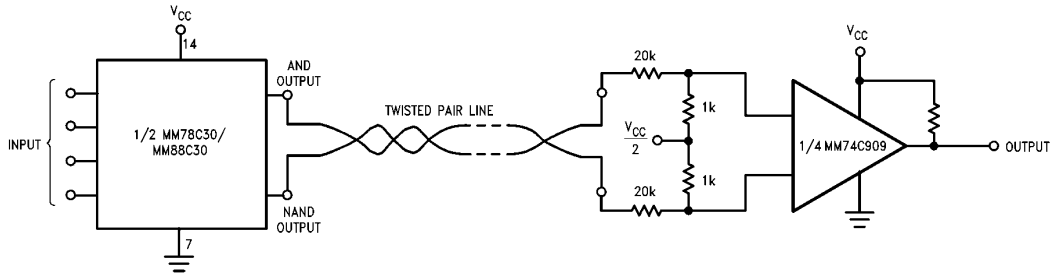
Note 1: Exact value depends on line length.

Note 2: Optional to control response time.

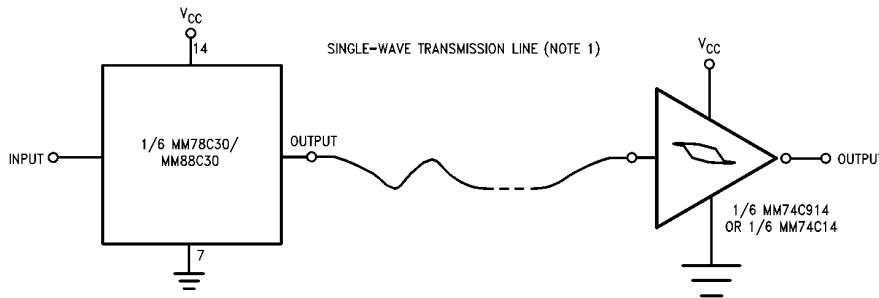
Note 3: $V_{CC} = 4.5V$ to $5.5V$ for the DS7820, $V_{CC} = 4.5V$ to $15V$ for the DS78C20.

TL/F/5908-10

Typical Applications (Continued)



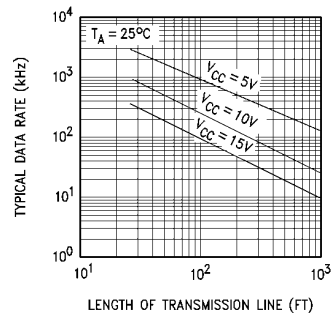
TL/F/5908-11



Note 1: V_{CC} is 3V to 15V

TL/F/5908-12

Typical Data Rate vs Transmission Line Length

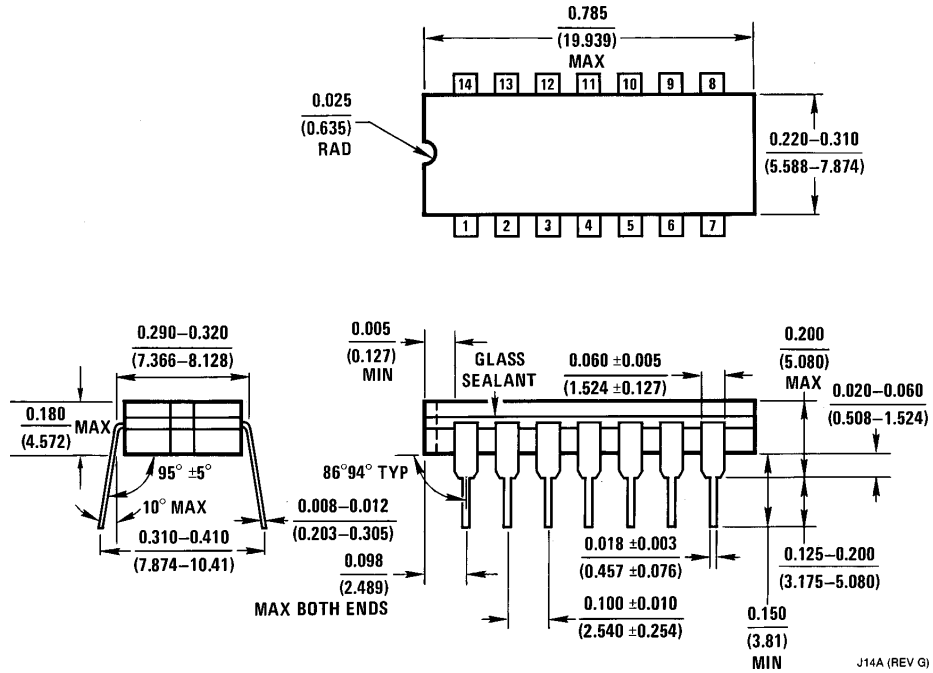


TL/F/5908-13

Note 1: The transmission line used was #22 gauge unshielded twisted pair (40k termination).

Note 2: The curves generated assume that both drivers are driving equal lines, and that the maximum power is 500 mW/package.

Physical Dimensions inches (millimeters)

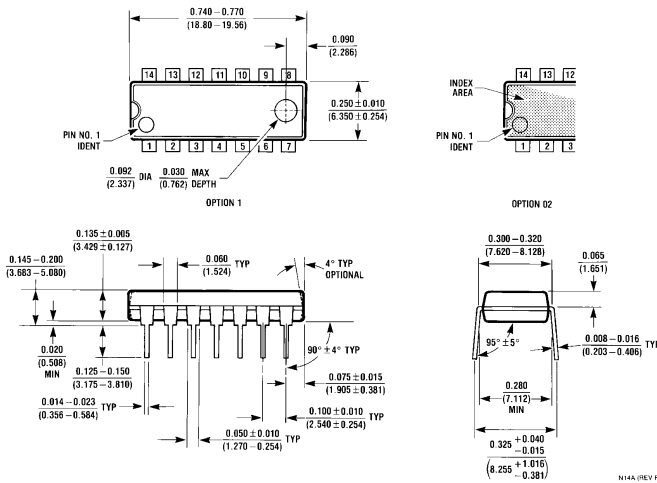


Ceramic Dual-In-Line Package (J)
Order Number MM78C29J, MM78C30J, MM88C29J or MM88C30J
NS Package Number J14A

J14A (REV G)

**MM78C29/MM88C29 Quad Single-Ended Line Driver
MM78C30/MM88C30 Dual Differential Line Driver**

Physical Dimensions inches (millimeters) (Continued)



Molded Dual-In-Line Package (N)
Order Number MM78C29N, MM78C30N, MM88C29N or MM88C30N
NS Package Number N14A

LIFE SUPPORT POLICY

NATIONAL'S PRODUCTS ARE NOT AUTHORIZED FOR USE AS CRITICAL COMPONENTS IN LIFE SUPPORT DEVICES OR SYSTEMS WITHOUT THE EXPRESS WRITTEN APPROVAL OF THE PRESIDENT OF NATIONAL SEMICONDUCTOR CORPORATION. As used herein:

1. Life support devices or systems are devices or systems which, (a) are intended for surgical implant into the body, or (b) support or sustain life, and whose failure to perform, when properly used in accordance with instructions for use provided in the labeling, can be reasonably expected to result in a significant injury to the user.
2. A critical component is any component of a life support device or system whose failure to perform can be reasonably expected to cause the failure of the life support device or system, or to affect its safety or effectiveness.



National Semiconductor Corporation
 1111 West Bardin Road
 Arlington, TX 76017
 Tel: 1(800) 272-9959
 Fax: 1(800) 737-7018

<http://www.national.com>

National Semiconductor Europe

Fax: +49 (0) 180-530 85 86
 Email: europe.support@nsc.com
 Deutsch Tel: +49 (0) 180-530 85 85
 English Tel: +49 (0) 180-532 78 32
 Français Tel: +49 (0) 180-532 93 58
 Italiano Tel: +49 (0) 180-534 16 80

National Semiconductor Hong Kong Ltd.

19th Floor, Straight Block,
 Ocean Centre, 5 Canton Rd.
 Tsimshatsui, Kowloon
 Hong Kong
 Tel: (852) 2737-1600
 Fax: (852) 2736-9960

National Semiconductor Japan Ltd.

Tel: 81-043-299-2308
 Fax: 81-043-299-2408

National does not assume any responsibility for use of any circuitry described, no circuit patent licenses are implied and National reserves the right at any time without notice to change said circuitry and specifications.

This datasheet has been download from:

www.datasheetcatalog.com

Datasheets for electronics components.

National Semiconductor was acquired by Texas Instruments.

http://www.ti.com/corp/docs/investor_relations/pr_09_23_2011_national_semiconductor.html

This file is the datasheet for the following electronic components:

MM78C29 - <http://www.ti.com/product/mm78c29?HQS=TI-null-null-dscatalog-df-pf-null-wwe>

MM78C30 - <http://www.ti.com/product/mm78c30?HQS=TI-null-null-dscatalog-df-pf-null-wwe>

MM88C29 - <http://www.ti.com/product/mm88c29?HQS=TI-null-null-dscatalog-df-pf-null-wwe>

MM88C30 - <http://www.ti.com/product/mm88c30?HQS=TI-null-null-dscatalog-df-pf-null-wwe>