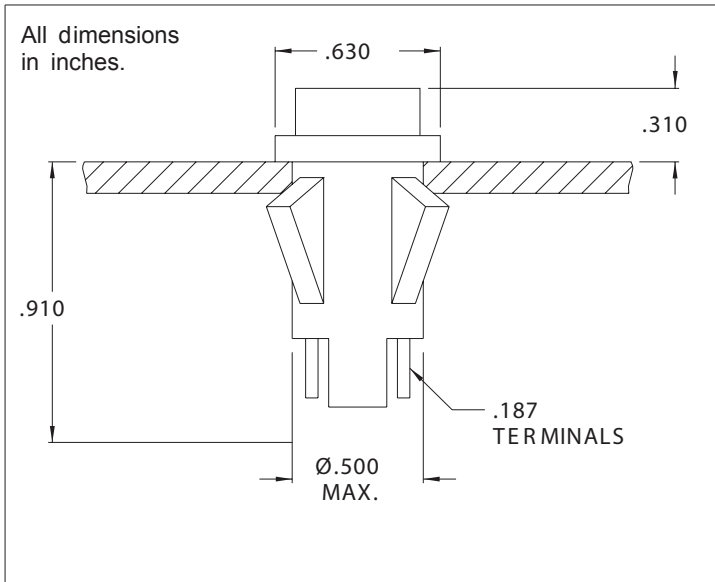




1050QC, 1051QC, 1052QC, 1053QC and 1090QC Series Non-Relampable Neon-Incandescent Indicator Lights



- Mounting: Will snap-fit into Ø.500" hole in panels .020" -.100" thick. Push-on speednut SN0461-C also available.
- Terminals: Tinned brass
- Lens: Polycarbonate
- Bezel: Polished stainless steel. For Black Bezel, please add a "X" after "C", for example: 1090QCX3-28V
- Housing: White Nylon
- 1051QC and 1053QC Max Voltage: 260V
- Wattage: 0.5 Watts

Lens Color	Neon		Incandescent	
	Model No. (105-125VAC)	Model No. (208-250V)	Model No. (12V)	Model No. (28V)
Red	1050QC 1	1051QC 1	1090QC 1-12V	1090QC 1-28V
Clear	1050QC 2	-	-	-
Amber	1050QC 3	1051QC 3	-	1090QC3-28V
White	1050QC 4	1051QC 4	1090QC 4-12V	1090QC4-28V
Green	1052QC 5*	1053QC 5*	1090QC 5-12V	1090QC5-28V
Lamp used	C 2A+R resistor	C 2A+R resistor	#2162	#2187

* Incorporates G2B lamp and resistor.
Underwriters Laboratories (UL) File No. E20356

Compliance & Approvals

