

Vimar - 14337.6 - RJ45 Cat6 UTP outlet+cover white

Code	14337.6
Family	Plana / Devices / RJ/EDP socket outlets
Description	RJ45 Cat6 UTP outlet+cover white
Long Description	RJ45 outlet with dust cover, Cat. 6, unshielded, T568A/B universal wiring, 8 contacts, insulation-piercing terminals, white
Product Status	3 - Active
Minimum order quantity	20 NR



Sheets, Manuals

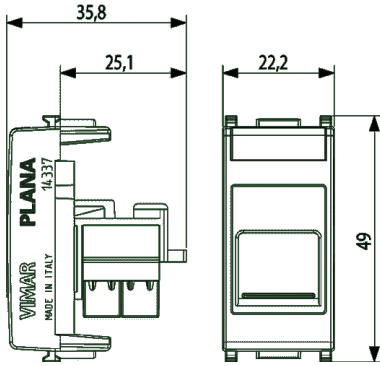
[FI - Instructions sheet \(286 kb\)](#)

Certifications

99. WEEE Directive ([download](#))

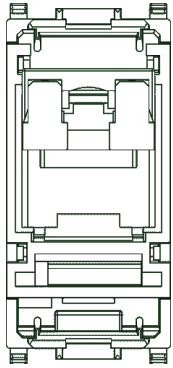
Drawings

SPACE VIEW



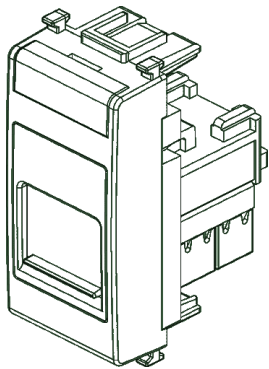
[download.png](#) - [download.dxf](#)

BACKSIDE VIEW



[download.png](#) - [download.dxf](#)

3D VIEW



[download.png](#) - [download.dxf](#)

Technical data

Class group: Data and telecommunication
Class: Modular connector
Model: Bus (jack)
Type of connector: RJ45 8(8)
Screened: No
Category: 6
Connection type: Insulation displacement

Special tool necessary: Yes
Suitable for round cable: Yes
Suitable for flat cable: No
Suitable for solid core: No
Colour: White

Packaging



8 007352 395244



8 007352 395251

Code 8007352395244
Quantity 1 NR
Dim. 5.1x2.8x5.3 [cm]
Weight 21.1 [g]

Code 8007352395251
Quantity 20 NR
Dim. 27x11.6x6 [cm]
Weight 493.2 [g]

Share



Legal

Vimar reserves the right to change at any time and without notice the characteristics of the products reported. Installation should be carried out by qualified staff in compliance with the current regulations regarding the installation of electrical equipment in the country where the products are installed. For the terms of use of the information on the product info sheet see [conditions of use](#).