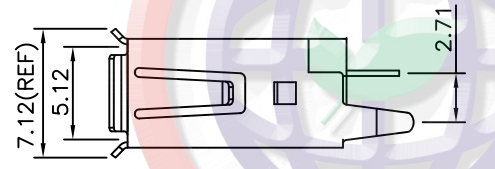
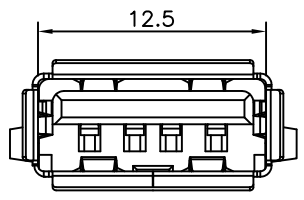
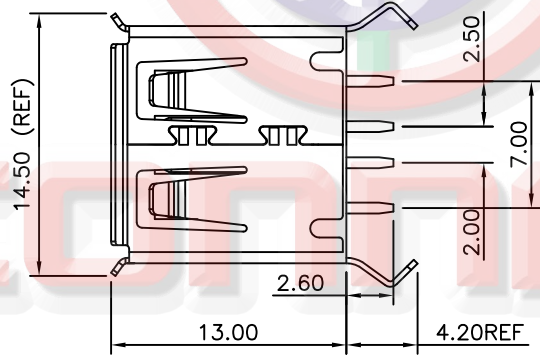


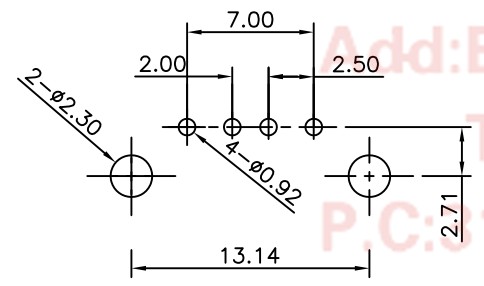
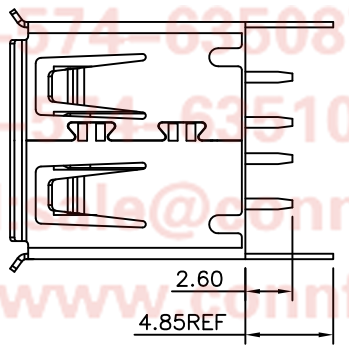
REV.	DESCRIPTION	DRAWN	CHECKED	APPROVED
A	NEW RELEASE	YCH 06/20/12'	~	LJC 06/20/12'
B	ADD P/N CODE	JLZ 07/16/15'	~	



BEND TYPE →



STRAIGHT TYPE →



RECOMMEND PCB LAYOUT
(TOLERANCE=±0.05)

NOTES:

- SPECIFICATIONS:
 - CONTACT RESISTANCE: 30mΩ max.
 - INSULATOR RESISTANCE: 1000MΩ min.AT DC 500V.
 - CURRENT RATING: 1.5A.
 - VOLTAGE RATING: 30V AC/DC.
 - DIELECTRIC STRENGTH: AC 500V FOR 1 Minute.
- MATERIALS:
 - HOUSING: PBT+30% GLASS FIBER(UL 94-0).
 - CONTACT: COPPER ALLOY
 - SHELL: COPPER ALLOY OR STEEL.
- PRODUCT NUMBER CODE:

DS1095-08-X X X X - X

- MATERIAL OF SHELL (B)
 - Fe: Steel
 - N/A: Copper Alloy
- CONTACT PLATING
 - 0: Selective gold flash
 - 03: Selective gold 3u"
 - 30: Selective gold 30u"
- BOARDLOCK TYPE
 - S: Straight type
 - B: Bend type
- SHELL PLATING:
 - N: Nickel
 - 6: Tin
- COLOR OF HOUSING:
 - W: White
 - B: Black

Tel:86-574-63508787
 Fax:86-574-63510817
 E-mail: sales@connfly.com
 http://www.connfly.com
 Add:East Industry Zone KuangYan
 Town Cixi Ningbo China
 P.C: 315333

GENERAL TOLERANCE		ANGLE TOLERANCE		PROJECTION		TITLE	USB A/F180° TYPE Single port Female TYPE	
X.	±0.60	X.	±5°	UNITS	mm	SHEET	A4	
.X	±0.38	.X	±3°	SHEET SIZE	A4	SERIES	DS1095-08 SERIES	
.XX	±0.25	.XX	±2°	晨翔电子有限公司 CONNFLY CONNFLY ELECTRONIC CO. LTD				
DRAWING TYPE		CUSTOMER						
SCALE	1:1	SHEET	1 OF 1					
DRAWING NO.		C-DS1095-08-XXXX-X-B						