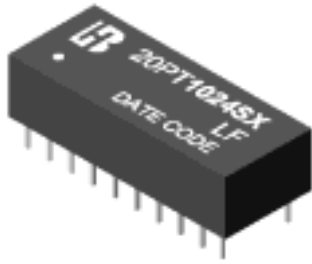


10/100 BASE-TX DUA PORT TRANSFORMER

P/N:20PT1024SX LF DATA SHEET

Feature



- Compliance with ROHS requirements.
- Operating temperature range : 0 to +70 .

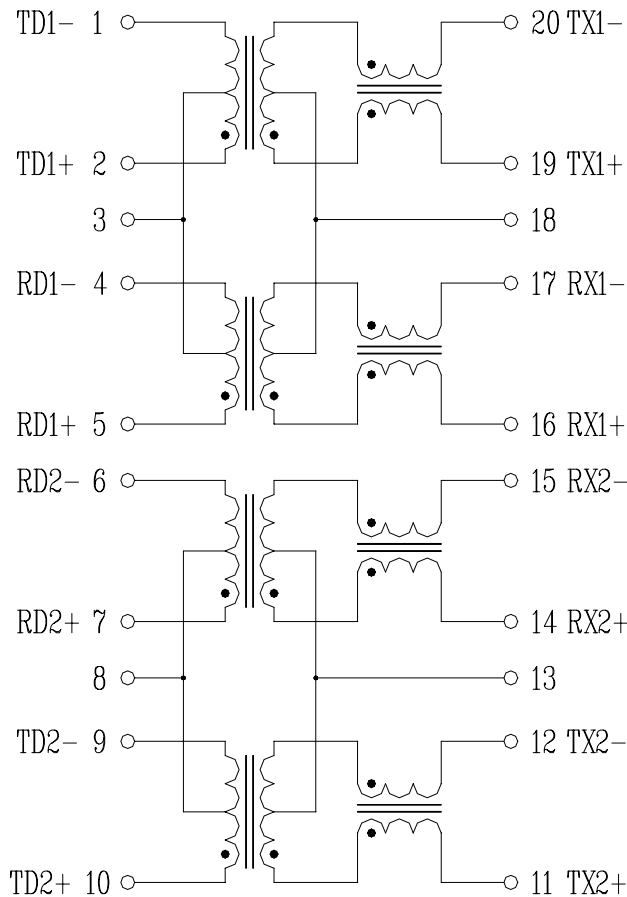
Electrical Specifications @ 25°C

Part Number	Turns Ratio (±5%) TX/ RX	OCL (uH Min) @100KHz/0.1Vrms with 8mA DC Bias	L.L (uH Max)	Cw/w (pF Max)	HI-POT (Vrms)
20PT1024SX LF	1CT:1CT	350	0.4	50	1500

Continue

Part Number	Insertion Loss (dB Max)	Return Loss (dB Min)				Cross talk (dB Min)	DCMR (dB Min)
		0.3-30MHz	40MHz	50MHz	60-80MHz		
20PT1024SX LF	-1.1	-18	-14	-13	-12	-35	-30

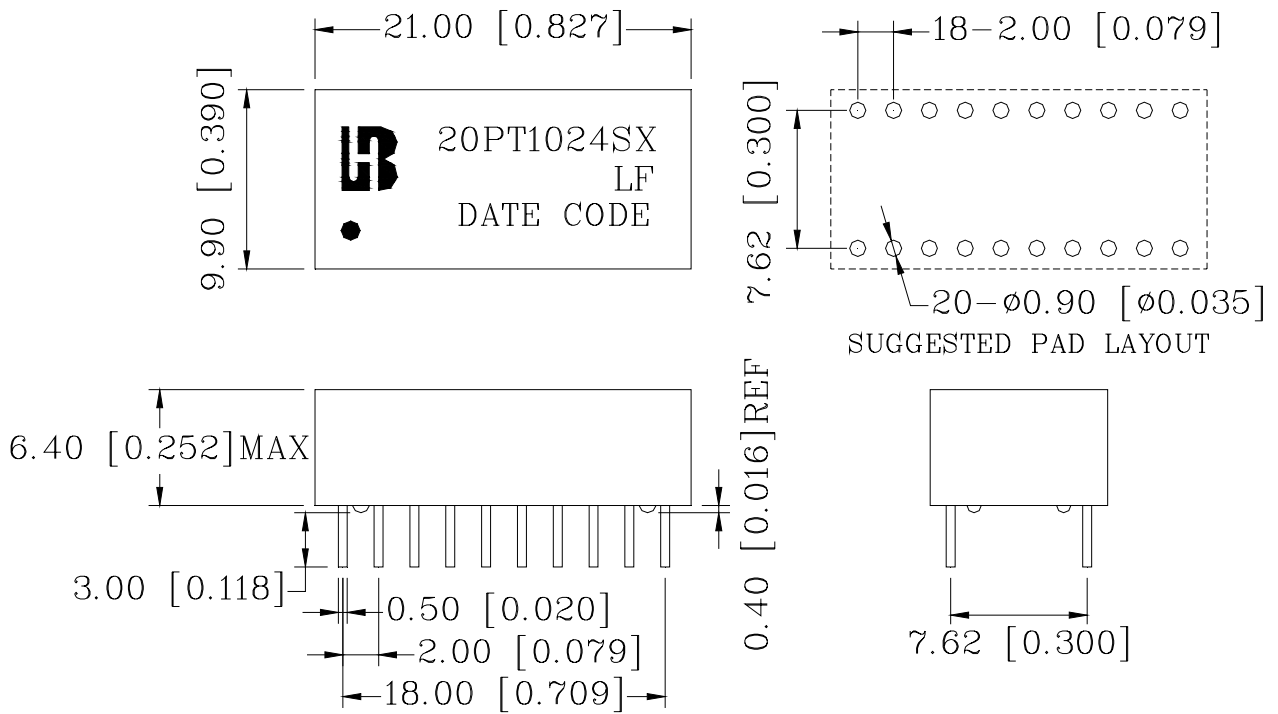
Schematic



10/100 BASE-TX DUA PORT TRANSFORMER

P/N:20PT1024SX LF DATA SHEET

Mechanical



Units: mm[Inches] Tolerances: xx.x0±0.25[0.010]
0.xx±0.05[0.002]