



Connectors > Power Connectors > Power Contacts



Product Type: **Contact**

Wire Size: **.8 – 1.4 mm²**

Connector & Contact Terminates To: **Wire & Cable**

Contact Current Rating (Max): **13 A**

Features

Product Type Features

| | |
|-----------------------------------|--------------|
| Product Type | Contact |
| Connector & Contact Terminates To | Wire & Cable |

Electrical Characteristics

| | |
|--------------|------|
| Test Current | 13 A |
|--------------|------|

Contact Features

| | |
|--|-----------------|
| Contact Shape & Form | Round |
| Contact Current Rating (Max) | 13 A |
| Contact Type | Pin |
| Contact Retention Within Housing | With |
| Contact Base Material | Brass |
| Contact Mating Area Plating Material | Precious Metal |
| Contact Mating Area Plating Thickness | .76 μm[30 μin] |
| Contact Termination Area Plating Material | Gold |
| Contact Termination Area Plating Thickness | .25 μm[10 μin] |
| Contact Underplating Material | Nickel |
| Underplate Material Thickness | 1.27 μm[50 μin] |
| Contact Size | 16 |

Termination Features

| | |
|------------------|-------|
| Termination Type | Crimp |
|------------------|-------|

Mechanical Attachment

| | |
|---------------------------------------|---------------|
| Contact Retention Type Within Housing | Crimp Snap-In |
|---------------------------------------|---------------|

| | |
|-------------------------|------|
| Wire Insulation Support | With |
|-------------------------|------|

Dimensions

| | |
|-----------|--------------------------|
| Wire Size | .8 – 1.4 mm ² |
|-----------|--------------------------|

| | |
|---------------------|-------------------|
| Mating Pin Diameter | 1.57 mm [.062 in] |
|---------------------|-------------------|

| | |
|--|------------------------------|
| Accepts Wire Insulation Diameter Range | 2.03 – 2.54 mm [.08 – .1 in] |
|--|------------------------------|

Usage Conditions

| | |
|-----------------------------|-----------------------------|
| Operating Temperature Range | -55 – 150 °C [-67 – 302 °F] |
|-----------------------------|-----------------------------|

Operation/Application

| | |
|---------------------|----------------|
| Circuit Application | Power & Signal |
|---------------------|----------------|

Packaging Features

| | |
|------------------|---------------------|
| Packaging Method | Carton, Loose Piece |
|------------------|---------------------|

| | |
|--------------------|------|
| Packaging Quantity | 1000 |
|--------------------|------|

Other

| | |
|-----------------|---------------|
| Wire/Cable Type | Discrete Wire |
|-----------------|---------------|

| | |
|--------------|--|
| For Use With | CPC Connectors, G Series Connectors, M Series Connectors |
|--------------|--|

| | |
|---------|--|
| Comment | Overall insulation crimp diameter, including crimp barrel, must not exceed 3.18 [.125]., Wire strip length-- 3.96 [.156] for all wire sizes. |
|---------|--|

Product Compliance

[For compliance documentation, visit the product page on TE.com>](#)

| | |
|------------------------------|-----------|
| EU RoHS Directive 2011/65/EU | Compliant |
|------------------------------|-----------|

| | |
|-----------------------------|-----------|
| EU ELV Directive 2000/53/EC | Compliant |
|-----------------------------|-----------|

| | |
|---|---|
| China RoHS 2 Directive MIIT Order No 32, 2016 | No Restricted Materials Above Threshold |
|---|---|

| | |
|--|---|
| EU REACH Regulation (EC) No. 1907/2006 | Current ECHA Candidate List: JUL 2019 (201) Candidate List Declared Against: JUL 2019 (201) Does not contain REACH SVHC |
|--|---|

| | |
|--|--|
| EU REACH Regulation (EC) No. 1907/2006 | Current ECHA Candidate List: JUL 2019 (201) Candidate List Declared Against: JUL 2019 (201) |
|--|--|

Halogen Content

Low Halogen - Br, Cl, F, I < 900 ppm per homogenous material. Also BFR/CFR/PVC Free

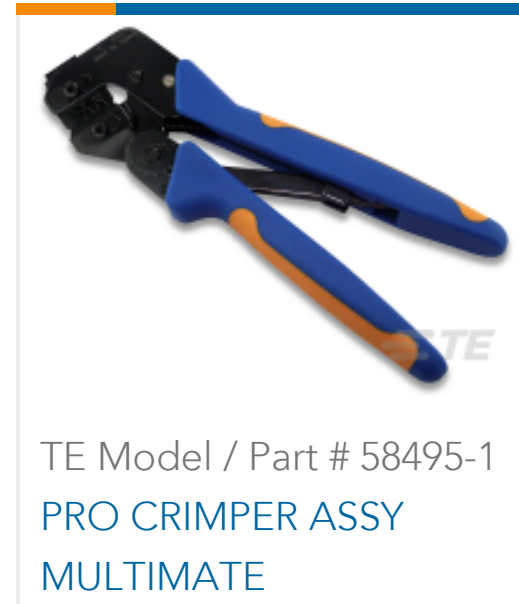
Solder Process Capability

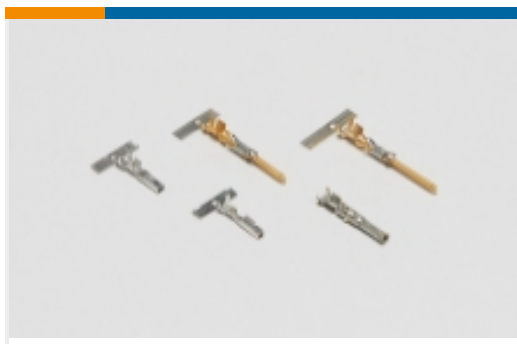
Not applicable for solder process capability

Product Compliance Disclaimer

This information is provided based on reasonable inquiry of our suppliers and represents our current actual knowledge based on the information they provided. This information is subject to change. The part numbers that TE has identified as EU RoHS compliant have a maximum concentration of 0.1% by weight in homogenous materials for lead, hexavalent chromium, mercury, PBB, PBDE, DBP, BBP, DEHP, DIBP, and 0.01% for cadmium, or qualify for an exemption to these limits as defined in the Annexes of Directive 2011/65/EU (RoHS2). Finished electrical and electronic equipment products will be CE marked as required by Directive 2011/65/EU. Components may not be CE marked. Additionally, the part numbers that TE has identified as EU ELV compliant have a maximum concentration of 0.1% by weight in homogenous materials for lead, hexavalent chromium, and mercury, and 0.01% for cadmium, or qualify for an exemption to these limits as defined in the Annexes of Directive 2000/53/EC (ELV). Regarding the REACH Regulations, TE's information on SVHC in articles for this part number is still based on the European Chemical Agency (ECHA) 'Guidance on requirements for substances in articles' (Version: 2, April 2011), applying the 0.1% weight on weight concentration threshold at the finished product level. TE is aware of the European Court of Justice ruling of September 10th, 2015 also known as O5A (Once An Article Always An Article) stating that, in case of 'complex object', the threshold for a SVHC must be applied to both the product as a whole and simultaneously to each of the articles forming part of its composition. TE has evaluated this ruling based on the new ECHA "Guidance on requirements for substances in articles" (June 2017, version 4.0) and will be updating its statements accordingly.

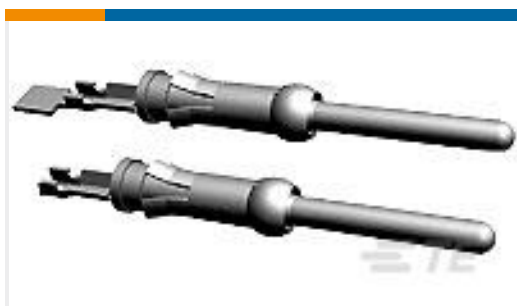
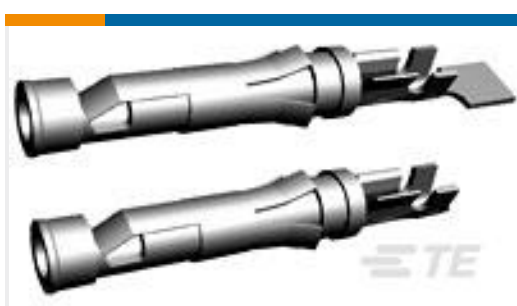
Compatible Parts

Also in the Series | **AMP Type III+**



Power Contacts(409)

Customers Also Bought

TE Model / Part #1658640-2
RECP. ASSEMBLY SIZE 5TE Model / Part #203618-1
MALE J.S. ASSY. - SHORTTE Model / Part #1658641-3
PLUG ASSY SIZE 5TE Model / Part #205209-7
RECP ASSY SIZE 4TE Model / Part #66103-1
III+ PIN,24-20,30AU>10,LPTE Model / Part #66101-1
III+ SKT,18-16,30AU>10,LPTE Model / Part #225554-6
TNC RT ANG PLUG DUAL
W/PTE Model / Part #225555-6
TNC PLUG DUAL W/P TRTE Model / Part #66105-1
III+ SKT,24-20,30AU>10,LPTE Model / Part #225973-4
PLUG, RT ANGLE, DUAL
CRIMP, BNC

Documents

Product Drawings

III+ PIN,18-16,30AU>10,LP

English

CAD Files

Customer View Model

ENG_CVM_CVM_66099-1_AE.2d_dxf.zip

English

3D PDF

3D

Customer View Model

[ENG_CVM_CVM_66099-1_AE.3d_igs.zip](#)

English

Customer View Model

[ENG_CVM_CVM_66099-1_AE.3d_stp.zip](#)

English

Datasheets & Catalog Pages

[Signal Contacts](#)

English

[AMP Circular Connectors for Commercial Signal & Power Applications](#)

English

[M_SERIES_PIN_AND_SOCKET_CONNECTORS](#)

English

Product Specifications

[Application Specification](#)

English

Product Environmental Compliance

[TE Material Declaration](#)

English

Instruction Sheets

[Instruction Sheet \(U.S.\)](#)

English

[Instruction Sheet \(U.S.\)](#)

Japanese

Agency Approvals

[Agency Approval Document](#)

English