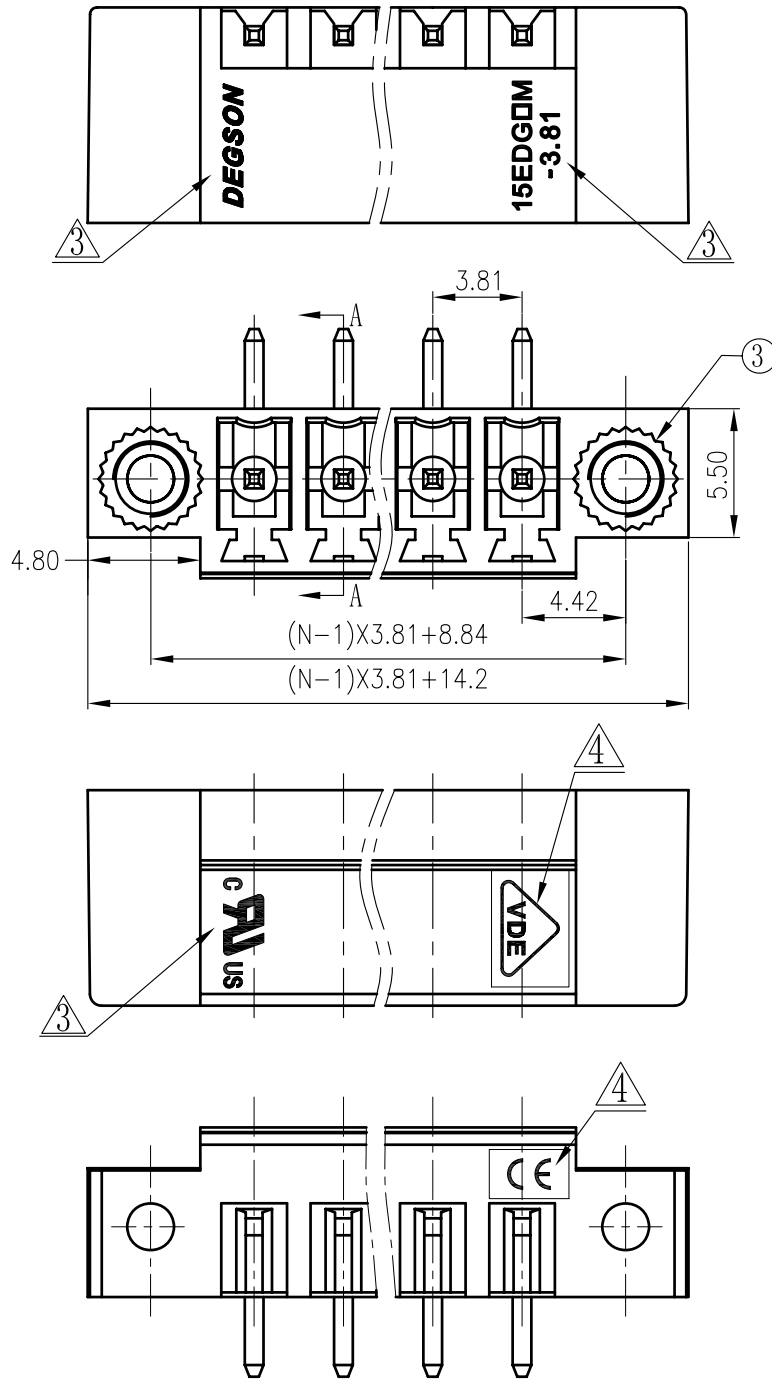


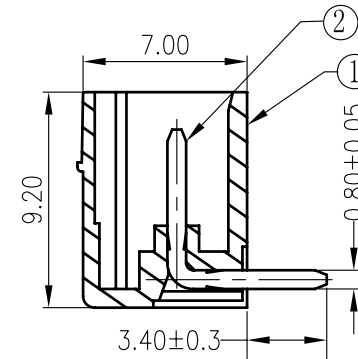
REVISION RECORD				
REV	ECO	DESCRIPTION	DRFT	DATE
△3		Drawing emend	WF	04/07/06*
△3		增加商标、品名、UL刻字	WLM	08/06/08*
△4		增加VDE, CE刻字	Zengy	01/15/09*



Notes:

1. Pitch: 3.81mm poles:2-24p
2. Rated voltage/current: UL 300V/8A
VDE 250V/7A
3. Operation temperatures:-40° C~+105° C
4. Withstanding voltage: AC2000V/1Min
5. Insulation resistance:5000MΩ/DC1000V
6. Undimensioned Tolerances:

Pitch range in mm		Nominal dimension range in mm							
	over 6	over 10	over 30	over 60	over 100	over 150	—		
to	to 10	to 24	to 30	to 60	to 100	to 150	∩		
	±0.10	±0.15	±0.25	±0.2	±0.3	±0.5	±0.7	±1.0	0.05/10



3	2EDG screw cap	S000000040 (H)	2	Brass	
2	15EDGRC Pin header	1003B00010 (H)	XX	Brass	SnCe
1	15EDGV (R)M-3.81-Housing	1004A0YXXA (H)	1	PA66	UL94V-0
ITEM	NAME OF PART	NO. OF PART	Q"TY	MATERIAL	NOTES

DETACHED LISTS	MM (INCH)	DFTO DZJ	DATE 09/14/05*	宁波高正电子有限公司 DEGSON ELECTRONICS CO., LTD	
	TOLERANCES EXCEPT AS NOTED	CHKD	DATE		
		MFO	DATE		
		APPVL	DATE		
	MM	±	MATERIAL :	NAME	
	.0 ±	±		15EDGRM-3.81-XXP-1Y-00A (H)	
	.00 ±	±		DRAWING NO. 15EDGRM-3.81-E02	SIZE A3
	.000 ±	±		/PART NO.	REV T4
	ANGLES ± 1°	G.E :		DO NOT SCALE DRAWING	01/15/09*
	THIRD ANGLE PROJECTION	FINISH :		SHEET 1	OF 1
		SCALE : 1:1			