

Transistors

2SA643

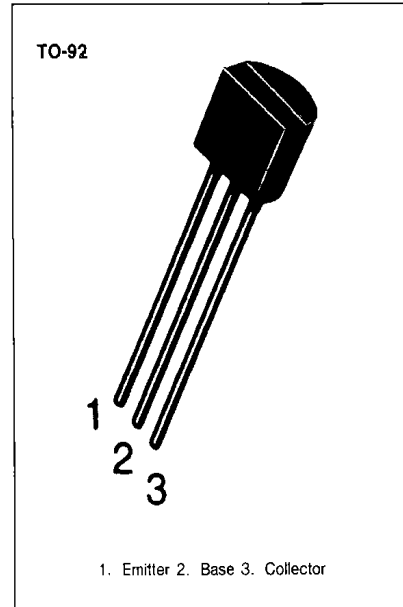
LOW FREQUENCY POWER AMPLIFIER

- Collector Dissipation $P_C=500\text{mW}$

ABSOLUTE MAXIMUM RATINGS ($T_a=25^\circ\text{C}$)

Characteristic	Symbol	Rating	Unit
Collector-Base Voltage	V_{CBO}	-40	V
Collector-Emitter Voltage	V_{CEO}	-20	V
Emitter-Base Voltage	V_{EBO}	-5	V
Collector Current (DC)	I_C (DC)	-500	mA
Collector Current (pulse)*	I_C (pulse)*	-700	mA
Collector Dissipation	P_C	500	mW
Junction Temperature	T_j	150	$^\circ\text{C}$
Storage Temperature	T_{stg}	-55 ~ 150	$^\circ\text{C}$

* $PW \leq 10\text{mS}$, duty Cycle $\leq 50\%$.



ELECTRICAL CHARACTERISTICS ($T_a=25^\circ\text{C}$)

Characteristic	Symbol	Test Conditions	Min	Typ	Max	Unit
Collector-Base Breakdown Voltage	BV_{CBO}	$I_C = -100\mu\text{A}, I_E = 0$	-40			V
Collector-Emitter Breakdown Voltage	BV_{CEO}	$I_C = -10\text{mA}, I_B = 0$	-20			V
Emitter-Base Breakdown Voltage	BV_{EBO}	$I_E = -100\mu\text{A}, I_C = 0$	-5			V
Collector Cut-off Current	I_{CBO}	$V_{CB} = -25\text{V}, I_E = 0$			-200	nA
Emitter Cut-off Current	I_{EBO}	$V_{EB} = -3\text{V}, I_C = 0$			-200	nA
DC Current Gain	h_{FE}	$V_{CE} = -1\text{V}, I_C = -100\text{mA}^*$	40		400	
Collector-Emitter Saturation Voltage	$V_{CE}(\text{sat})$	$I_C = -500\text{mA}, I_B = -50\text{mA}^*$		-0.3	-0.4	V
Base-Emitter Saturation Voltage	$V_{BE}(\text{sat})$	$I_C = -500\text{mA}, I_B = -50\text{mA}^*$		-1.0	-1.3	V

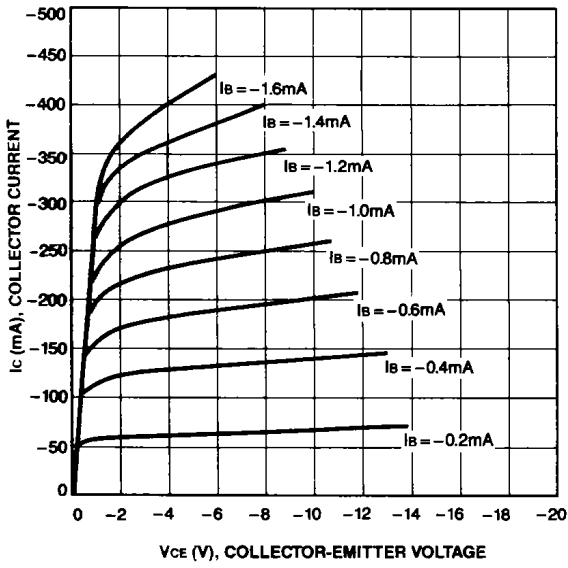
* Pulse Test: $PW = 350\mu\text{s}$, duty cycle = 2%

h_{FE} CLASSIFICATION

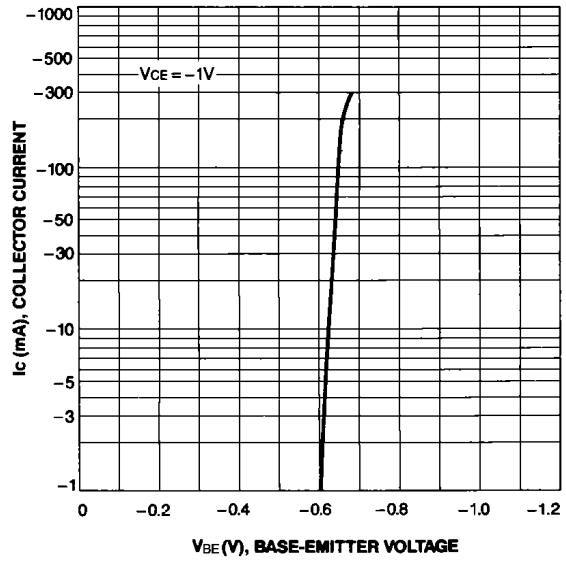
Classification	R	O	Y	G
h_{FE}	40-80	70-140	120-240	200-400



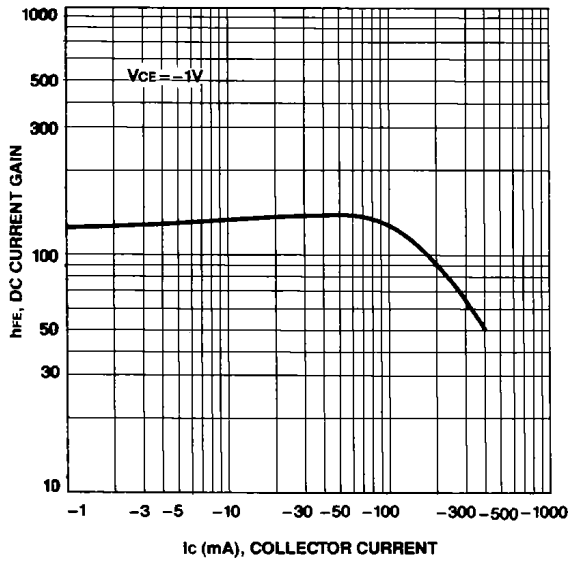
STATIC CHARACTERISTIC



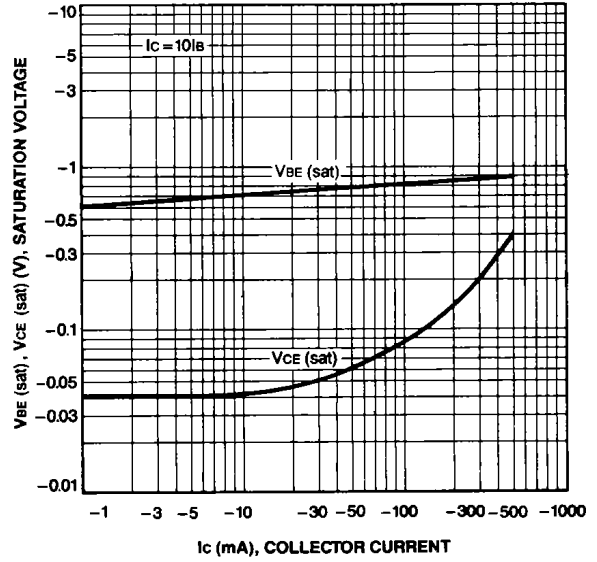
BASE-EMITTER ON VOLTAGE



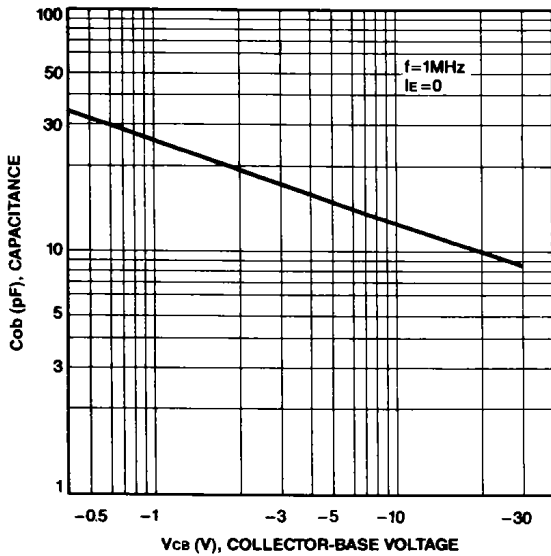
DC CURRENT GAIN



**BASE-EMITTER SATURATION VOLTAGE
COLLECTOR-EMITTER SATURATION VOLTAGE**



COLLECTOR OUTPUT CAPACITANCE



This datasheet has been downloaded from:

www.DatasheetCatalog.com

Datasheets for electronic components.