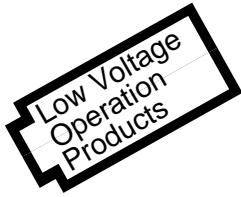


7910 Series Multi-Melody IC



- Clear Electronic Sound
- Usable for Wide-ranged Application
- Low Power Dissipation & Supply Voltage

DESCRIPTION

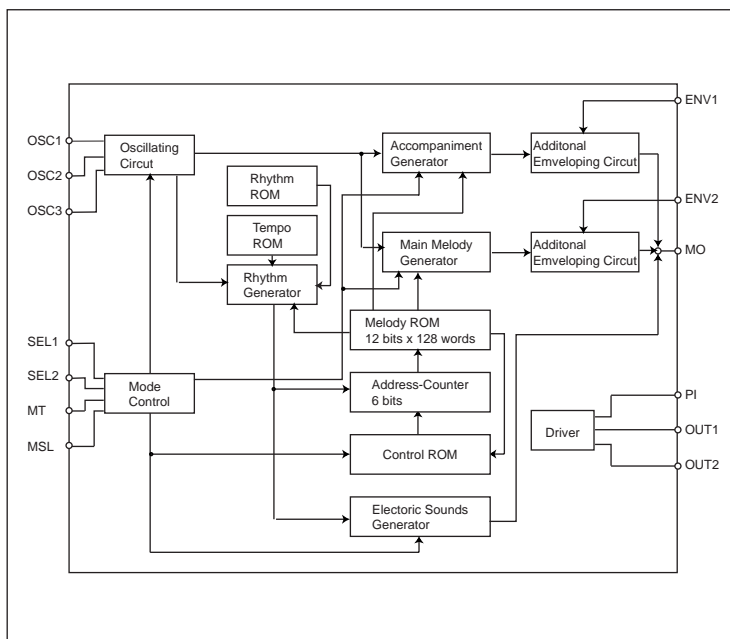
The series 7910 is a CMOS IC which plays prearranged melodies and alarm sounds electronically. Built-in oscillation circuit generates acoustic pulses, then melodies and alarm sounds are formed with only a few external discrete parts including resistor, capacitor, speaker etc. Thus the 7910 can enjoy various applications such as replacement for conventional music box and alarm sound generator.

NOTE: These are ongoing user service products.

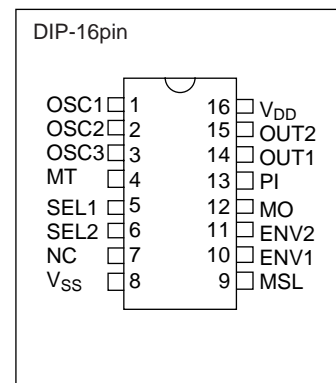
FEATURES

- Melody 2 or 1
- Musical interval Temperament or pure temperament
- Sound 2 series, 2.5 octave
Compound interval or accompaniment are possible.(One octave interval)
- Tempo 16 kinds(Prest to Largo). Two tempos in one piece.
- Note Basic note ♩ ♪ ♫ ♬ ♭ ♮ , and also possible for ♩ ♪ ♫ ♬ ♭ ♮
- Rest According to note
- Repeat Continuous performance of pieces, and repeats(8 times at most)of a piece.
- Beginning Always starts at the beginning of piece.
- Alarm Chime Two (not always equipped)
- Input signal 1 start signal, 3 selective signals.
- Envelope External CR(2 series)
- Volume control From external circuit(volume etc.)
- Oscillation C, R oscillator (C, R external connection)
- Voltage 1.5V
- Package DIP-16pin(plastic)

BLOCK DIAGRAM



PIN CONFIGURATION



■ PIN DESCRIPTION

Pin Name	Pin No.	Functions	Pin Name	Pin No.	Functions
OSC1	1	Connected with Capacitor (Co), resistor (R3,R4) regulates the oscillation frequency.	ENV1	10	Connected with C1, R1, C2 and R2 regulates the time-constant of envelope.
OSC2	2		ENV2	11	
OSC3	3		Performance starts on setting this terminal Hi.	MO	12
MT	4	PI		13	Input the pulse from MO into pre-amplifier.
SEL1	5	Input switches for selecting melodies.	OUT1	14	Output terminals of pre-amplifier.
SEL2	6		OUT2	15	Connected to the bipolar transistors for speaker drive.
MSL	9				


■ ABSOLUTE MAXIMUM RATINGS

(V_{SS}=0V)

Rating	Symbol	Value	Unit
Supply voltage	V _{DD}	-0.3 to 5.0	V
Input/Output voltage	V _{I/O}	-0.2 to V _{DD} +0.2	V
Operating temperature	T _{opr}	-20 to 65 (V _{DD} =1.5V)	°C
Storage temperature	T _{stg}	-65 to 150	°C
Soldering temperature and time	T _{sol}	260°C, 10s (at lead)	—

■ ELECTRICAL CHARACTERISTICS

(V_{SS}=0V, Ta=25°C)

Characteristic	Symbol	Condition	Min.	Typ.	Max.	Unit
Supply voltage	V _{DD}	—	1.25	1.5	2	V
High level input voltage(1)	V _{IH1}	MSL, SEL1, SEL2	V _{DD} -0.1	V _{DD}	V _{DD}	V
High level input voltage(2)	V _{IH2}	MT	V _{SS} +1	V _{DD}	V _{DD}	V
Low level input voltage	V _{IL}	—	V _{SS}	V _{SS}	V _{SS} +0.1	V
High level input current	I _{IH}	V _{DD} =1.5V V _{IH} =V _{DD}	1.5	—	15	μA
Low level input current	I _{IL}	V _{DD} =1.5V V _{IL} =V _{SS}	—	—	0.05	μA
Low level output current	I _{OL}	V _{DD} =1.25V V _{OL1} =0.5V	150	—	—	μA
High level output current	I _{OH}	V _{DD} =1.25V V _{OH1} =0.7V	150	—	—	μA
Scatter of output current	$\frac{I_{OH}}{I_{OL}}$	V _{DD} =1.25V	0.2	—	5	—
Rise time of enveloping circuit	t _r	V _{DD} =1.5V C ₁ =C ₂ =4.7μF R ₁ =R ₂ =120kΩ	—	—	5	ms
Average operating current	I _{DDO}	MI=V _{DD} =1.5V OUT1, OUT2 Terminal open	—	70	100	μA
Stand-by current (Oscillation halting)	I _{DDS}	V _{DD} =1.5V	—	2	20	μA
Delay time for play-start	t ₁	f _{OSC} =47.5kHz V _{DD} =1.5V	—	—	0.4	s
Delay time for play-stop	t ₂	f _{OSC} =47.5kHz V _{DD} =1.5V	0.2	—	0.5	s
Chattering period of switch	t _{ch}	f _{OSC} =47.5kHz V _{DD} =1.5V	—	—	 one beat	—

■ OSCILLATION CHARACTERISTICS

(V_{SS}=0V, Ta=25°C)

Characteristic	Symbol	Condition	Min.	Typ.	Max.	Unit
Oscillation frequency	f _{osc}	Standard constant V _{DD} =1.5V	-	47.5	-	kHz
Oscillation self-start voltage	V _{STA}	Standard constant	1.25	-	-	V
Oscillation stop voltage	V _{STP}	Standard constant	-	-	1.25	V

■ FUNCTIONS

MELODY IC 7910 series has 3 kinds of tune selection methods charted as follows.

Starting performance, MT terminal to be V_{DD} level always.

●1. Spec. of IC 2 tunes + 2 electronic sounds

Type: 7910I, 7910CE, 7910CF, 7910CG, 7910CH, 7910CN, 7910CP, 7910CR, 7910CS, 7910CU, 7910CV, 7910CW, 7910CQ

	SEL1	SEL2	MSL
Tune 1	OP	OP	L
Tune 2	OP	OP	H
Electronic sound 1 (Buzzer)	OP	H	—
Electronic sound 2 (Chime)	H	OP	—
Tune 1 test performance	H	H	L
Tune 2 test performance	H	H	H

●2. Spec. of IC 2 tunes + no electronic sound

Type: 7910G, 7910K, 7910N, 7910O, 7910P, 7910Q

	SEL1	SEL2
Tune 1	OP	OP
Tune 2	OP	H
Tune 1 test performance	H	H
Tune 2 test performance	H	OP

*Connection of SEL1 is not necessary If test performance is not need.

●3. Spec. of IC 1 tune + 2 electronic sounds

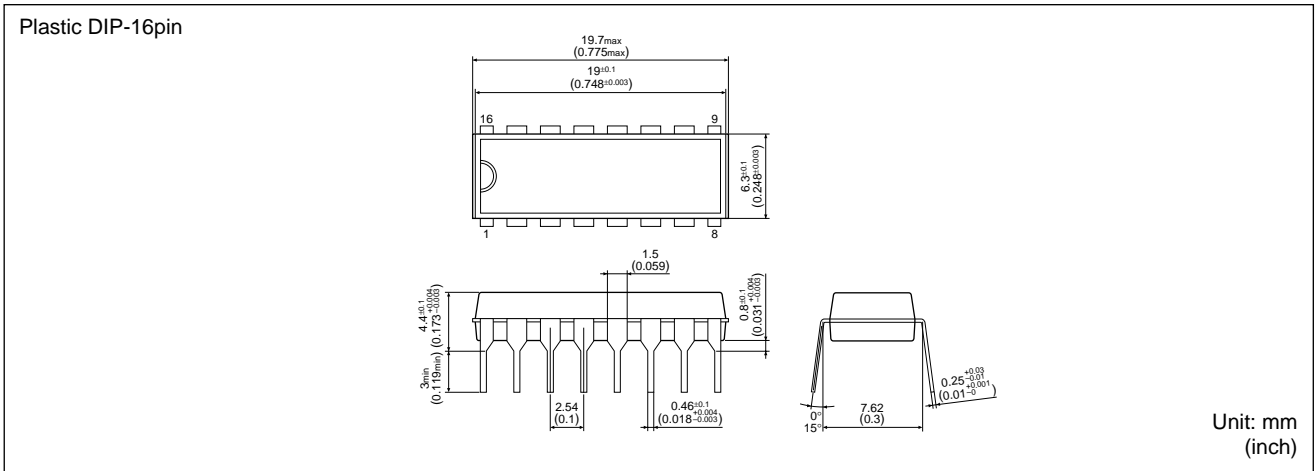
Type: 7910C, 7910T

	SEL1	SEL2
Tune	OP	OP
Electronic sound 1 (Buzzer)	OP	H
Electronic sound 2 (Chime)	H	OP
Tune test performance	H	H

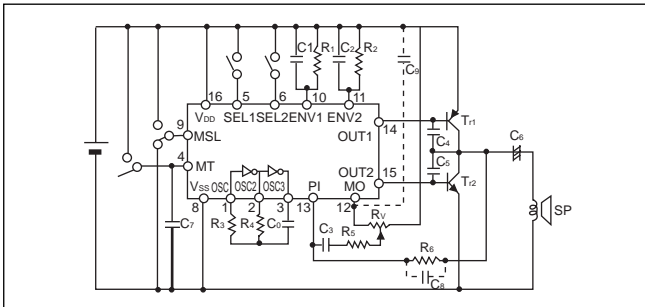
Notes:

1. In case of spec. 2 and 3, connection of MSL terminal is not necessary.
2. Explanation of Mark
OP: Terminal is Open, H: V_{DD} level, L:V_{SS} level
3. Function of input terminals
 1. The terminals SEL1 and SEL2 are always pulled down to V_{SS} level
 2. When SEL1 and SEL2 are Hi, it operates as TEST MODE. In this case tempo of performance is accelerated eight times as fast as normal one.
 3. As the terminal MSL is an open input terminal and has neither Pull-up nor Pull-down, they always must be kept at V_{SS} or V_{DD} level.

■ PACKAGE DIMENSIONS



■ BASIC EXTERNAL CONNECTION



Attention

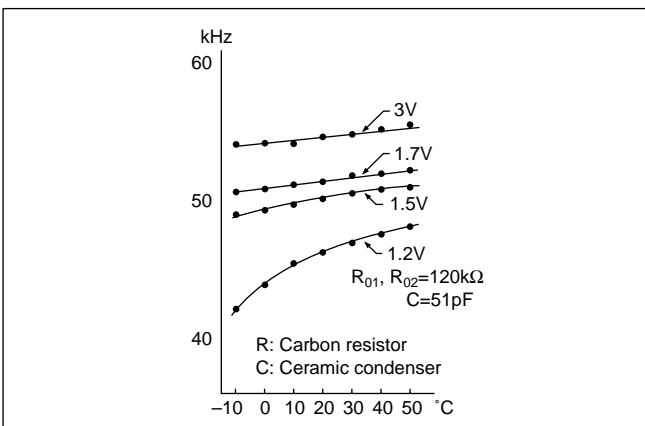
1. Oscillation frequency (f_{osc}) changes according to variation of R_3, R_4, C_0 but stability of frequency will be worse.
2. In case of Values of R_3, R_4, C_0 are fixed, difference of (f_{osc}) among discrete circuit will happen.
3. We feel melody differently variation of C_1, C_2, R_1, R_2 .
4. Value adjustment is done by V_r .
5. If C_4 and C_5 are too small, there will oscillation at the part of low frequency amplifier circuit.
6. It is possible that fluctuation of oscillation frequency become larger with increase of battery impedance. In that case, connecting condenser between V_{DD} and V_{SS} is desirable.
7. Putting C_8 or and C_9 into the circuit, the sounds get softer, whereas volume gets smaller.

<Recommendable conditions of discrete parts>

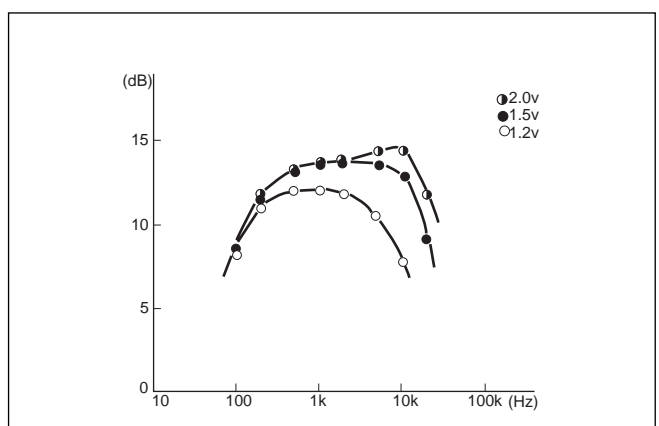
Symbol of parts	Recommendable value	Unit
C_0	51	pF
C_1, C_2	4.7	μF
R_1, R_2	120	k Ω
R_3, R_4	131	k Ω
C_3	0.047 to 0.1	μF
R_v	Variable resistance to 50	k Ω
R_5	51 to 150	k Ω
R_6	510	k Ω
C_4	0.01 to 0.047	μF
C_5	0.001 or nothing	μF
Tr_1	(PNP)2SA 683(2SA684)	—
Tr_2	(NPN)2SC 1383(2SC1384)	—
C_6	100 to 300	μF
C_7	0.1	μF
C_8, C_9	0.001	μF

■ CHARACTERISTICS CURVE

● Oscillation characteristics



● Output frequency characteristics



NOTICE

No part of this material may be reproduced or duplicated in any form or by any means without the written permission of Seiko Epson. Seiko Epson reserves the right to make changes to this material without notice. Seiko Epson does not assume any liability of any kind arising out of any inaccuracies contained in this material or due to its application or use in any product or circuit and, further, there is no representation that this material is applicable to products requiring high level reliability, such as, medical products. Moreover, no license to any intellectual property rights is granted by implication or otherwise, and there is no representation or warranty that anything made in accordance with this material will be free from any patent or copyright infringement of a third party. This material or portions thereof may contain technology or the subject relating to strategic products under the control of the Foreign Exchange and Foreign Trade Control Law of Japan and may require an export license from the Ministry of International Trade and Industry or other approval from another government agency.

All product names mentioned herein are trademarks and/or registered trademarks of their respective companies.

©Seiko Epson Corporation 1998 All rights reserved.

SEIKO EPSON CORPORATION

ELECTRONIC DEVICES MARKETING DIVISION

Electronic Device Marketing Department IC Marketing & Engineering Group

421-8, Hino, Hino-shi, Tokyo 191-8501, JAPAN
Phone: +81-(0)42-587-5816 Fax: +81-(0)42-587-5624

ED International Marketing Department I (Europe & U.S.A.)

421-8, Hino, Hino-shi, Tokyo 191-8501, JAPAN
Phone: +81-(0)42-587-5812 Fax: +81-(0)42-587-5564

ED International Marketing Department II (Asia)

421-8, Hino, Hino-shi, Tokyo 191-8501, JAPAN
Phone: +81-(0)42-587-5814 Fax: +81-(0)42-587-5110

Electric Device Information of EPSON WWW server

<http://www.epson.co.jp>

