

AN6554, AN6554NS

Quadruple Operational Amplifiers

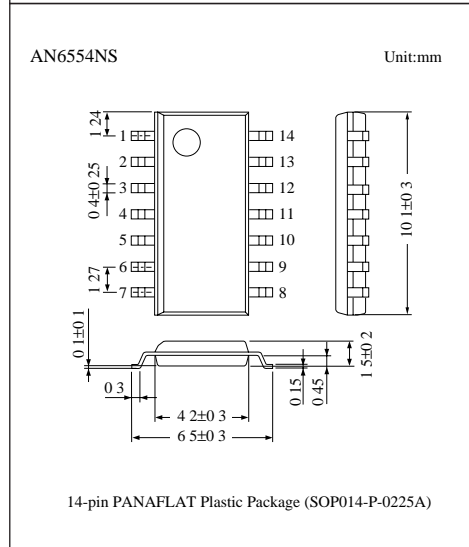
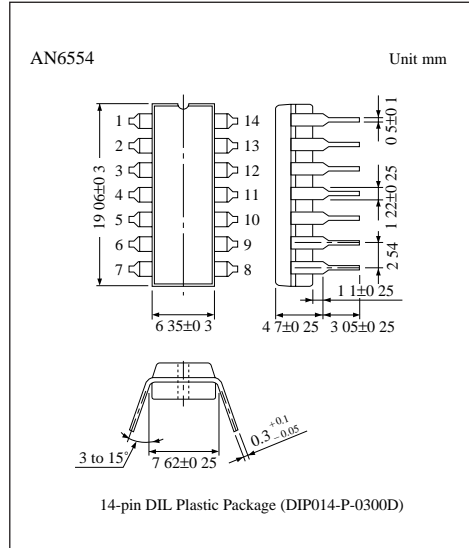
■ Overview

The AN6554 and the AN6554NS are quadruple operational amplifiers with phase compensation circuits built-in.

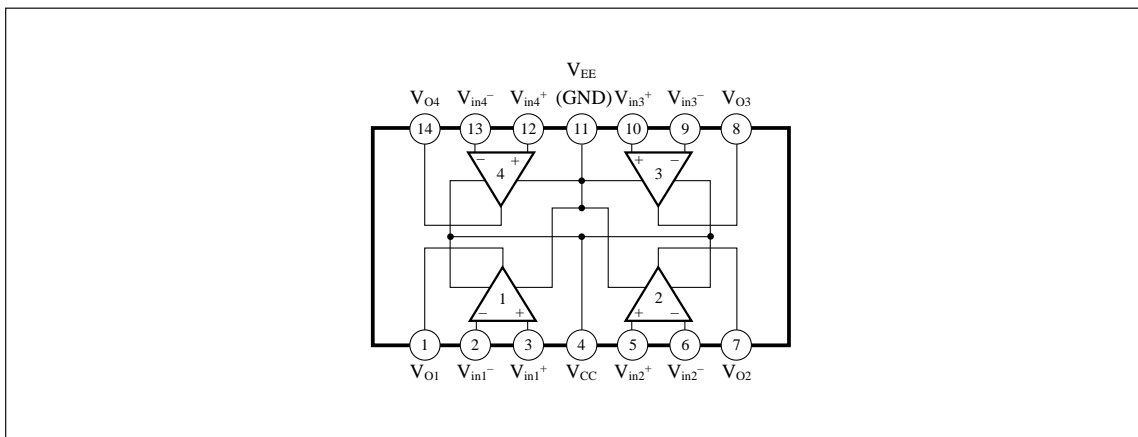
They are suitable for application to various electronic circuits such as active filters and audio pre-amplifiers.

■ Features

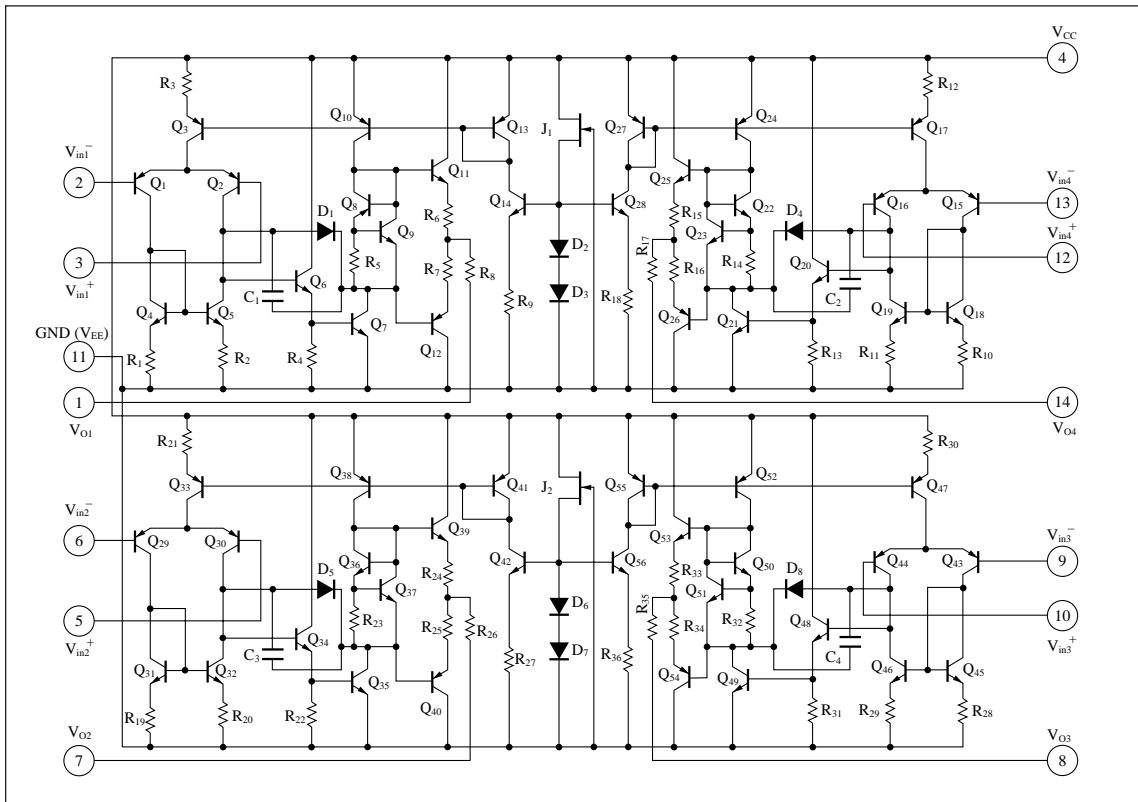
- Phase compensation circuit built-in
- High voltage gain, low noise
- Output short-circuit protection built-in



■ Block Diagram



Schematic Diagram



Pin Descriptions

Pin No.	Pin name	Pin No.	Pin name
1	Ch.1 output	8	Ch.3 output
2	Ch.1 inverting input	9	Ch.3 inverting input
3	Ch.1 non inverting input	10	Ch.3 non inverting input
4	V _{CC}	11	V _{EE} (GND)
5	Ch.2 non inverting input	12	Ch.4 non inverting input
6	Ch.2 inverting input	13	Ch.4 inverting input
7	Ch.2 output	14	Ch.4 output

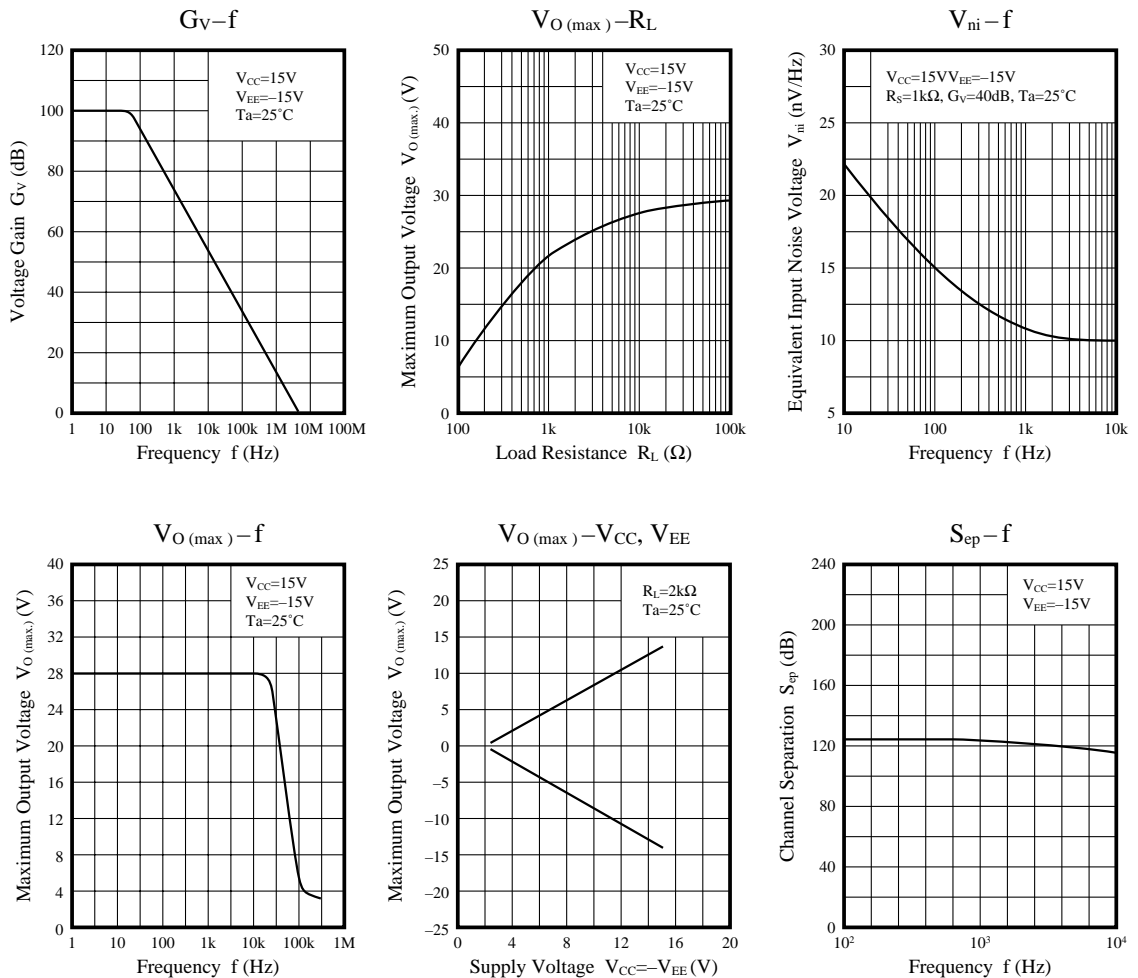
Absolute Maximum Ratings (Ta=25°C)

Parameter		Symbol	Rating	Unit
Voltage	Supply voltage	V _{CC}	36	V
	Differential input voltage	V _{ID}	±30	V
	Common-mode input voltage	V _{ICM}	±15	V
Power dissipation	AN6554	P _D	570	mW
	AN6554NS		380	
Temperature	Operating ambient temperature	T _{opr}	-20 to +75	C
	Storage temperature	T _{stg}	-55 to +150	C
			-55 to +125	

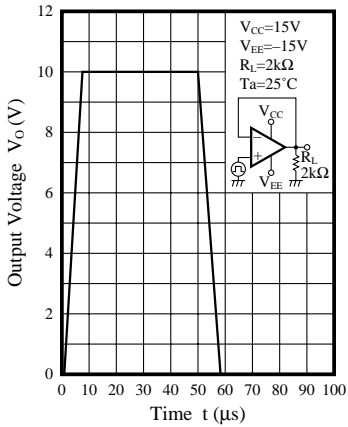
■ Electrical Characteristics ($V_{CC}=15V$, $V_{EE}=-15V$, $T_a=25^\circ C$)

Parameter	Symbol	Condition	min	typ	max	Unit
Input offset voltage	$V_{I(\text{offset})}$	$R_S \leq 10k\Omega$	—	0.5	5	mV
Input offset current	I_{IO}		—	5	50	nA
Input bias current	I_{bias}		—	100	300	nA
Voltage gain	G_V	$R_L \geq 2k\Omega$, $V_O = \pm 10V$	88	100	—	dB
Maximum output voltage	$V_{O(\text{max.1})}$	$R_L \geq 10k\Omega$	± 12	± 14	—	V
	$V_{O(\text{max.2})}$	$R_L \geq 2k\Omega$	± 10	± 13	—	V
Common-mode input voltage width	V_{CM}		± 12	± 14	—	V
Common-mode rejection ratio	CMR		70	90	—	dB
Supply voltage rejection ratio	SVR		—	30	100	$\mu V/V$
Power consumption	P_C		—	—	240	mW
Slew rate	SR		—	1.6	—	V/ μs
Equivalent input noise voltage	V_{ni}	$R_S=1k\Omega$, B=10Hz to 30kHz	—	2.5	—	μV_{rms}
Channel separation	Sep	$f=10kHz$	—	110	—	dB

■ Characteristics Curve



V_O-t



$I_{CC}-V_{CC}$

