

MM54C165/MM74C165 Parallel-Load 8-Bit Shift Register

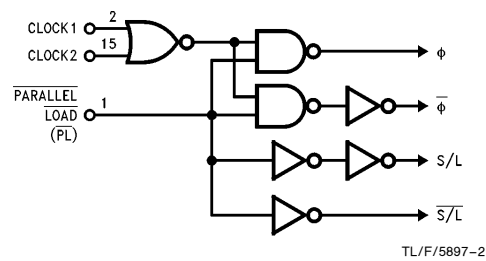
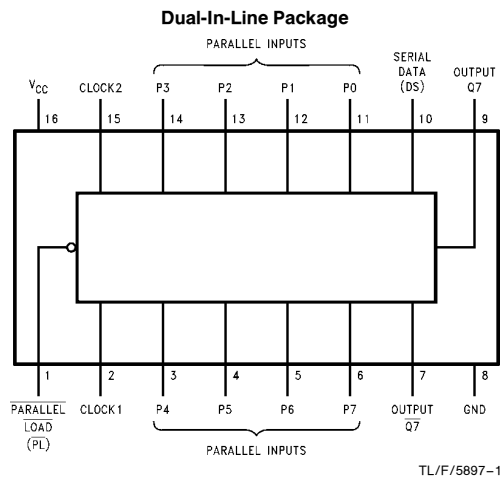
General Description

The MM54C165/MM74C165 functions as an 8-bit parallel-load, serial shift register. Data is loaded into the register independent of the state of the clock(s) when PARALLEL LOAD (PL) is low. Shifting is inhibited as long as PL is low. Data is sequentially shifted from complementary outputs, Q₇ and Q₇, highest-order bit (P7) first. New serial data may be entered via the SERIAL DATA (Ds) input. Serial shifting occurs on the rising edge of CLOCK1 or CLOCK2. Clock inputs may be used separately or together for combined clocking from independent sources. Either clock input may be used also as an active-low clock enable. To prevent double-clocking when a clock input is used as an enable, the enable must be changed to a high level (disabled) only while the clock is high.

Features

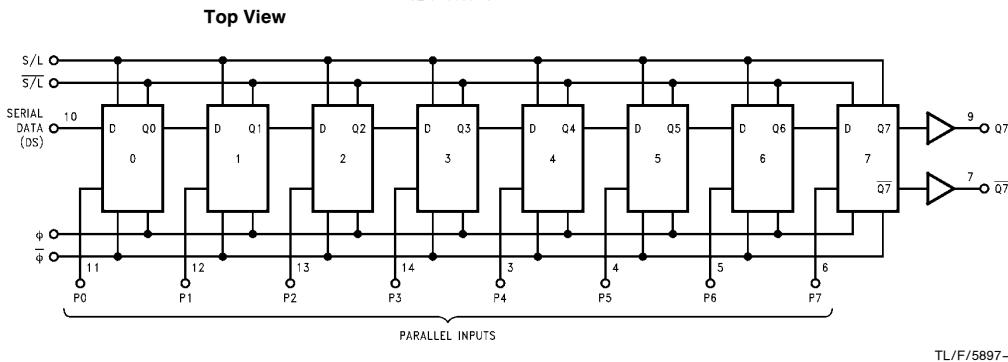
- Wide supply voltage range 3V to 15V
- Guaranteed noise margin 1V
- High noise immunity 0.45 V_{CC} (typ.)
- Low power TTL compatibility fan out of 2
driving 74L
- Parallel loading independent of clock
- Dual clock inputs
- Fully static operation

Connection and Block Diagrams



Order Number MM54C165* or MM74C165*

*Please look into Section 8, Appendix D for availability of various package types.



MM54C165/MM74C165 Parallel-Load 8-Bit Shift Register

Absolute Maximum Ratings (Note 1)

If Military/Aerospace specified devices are required, please contact the National Semiconductor Sales Office/Distributors for availability and specifications.

Voltage at Any Pin	-0.3V to $V_{CC} + 0.3V$
Operating Temperature Range	-55°C to +125°C
MM54C165	-40°C to +85°C
MM74C165	

Storage Temperature Range	-65°C to +150°C
Absolute Maximum V_{CC}	18V
Power Dissipation	
Dual-In-Line	700 mW
Small Outline	500 mW
Operating V_{CC} Range	3V to 15V
Lead Temperature (Soldering, 10 sec.)	260°C

DC Electrical Characteristics Min/Max limits apply across temperature range unless otherwise noted

Symbol	Parameter	Conditions	Min	Typ	Max	Units
CMOS TO CMOS						
$V_{IN(1)}$	Logical "1" Input Voltage	$V_{CC} = 5V$ $V_{CC} = 10V$	3.5 8.0			V V
$V_{IN(0)}$	Logical "0" Input Voltage	$V_{CC} = 5V$ $V_{CC} = 10V$			1.5 2.0	V V
$V_{OUT(1)}$	Logical "1" Output Voltage	$V_{CC} = 5V, I_O = -10 \mu A$ $V_{CC} = 10V, I_O = -10 \mu A$	4.5 9.0			V V
$V_{OUT(0)}$	Logical "0" Output Voltage	$V_{CC} = 5V, I_O = +10 \mu A$ $V_{CC} = 10V, I_O = +10 \mu A$			0.5 1.0	V V
$I_{IN(1)}$	Logical "1" Input Current	$V_{CC} = 15V, V_{IN} = 15V$		0.005	1.0	μA
$I_{IN(0)}$	Logical "0" Input Current	$V_{CC} = 15V, V_{IN} = 0V$	-1.0	-0.005		μA
I_{CC}	Supply Current	$V_{CC} = 15V$		0.05	300	μA
CMOS TO LPTTL INTERFACE						
$V_{IN(1)}$	Logical "1" Input Voltage	54C $V_{CC} = 4.5V$ 74C $V_{CC} = 4.75V$	$V_{CC} - 1.5$ $V_{CC} - 1.5$			V V
$V_{IN(0)}$	Logical "0" Input Voltage	54C $V_{CC} = 4.5V$ 74C $V_{CC} = 4.75V$			0.8 0.8	V V
$V_{OUT(1)}$	Logical "1" Output Voltage	54C $V_{CC} = 4.5V, I_O = -360 \mu A$ 74C $V_{CC} = 4.75V, I_O = -360 \mu A$	2.4 2.4			V V
$V_{OUT(0)}$	Logical "0" Output Voltage	54C $V_{CC} = 4.5V, I_O = 360 \mu A$ 74C $V_{CC} = 4.75V, I_O = 360 \mu A$			0.4 0.4	V V
OUTPUT DRIVE (See 54C/74C Family Characteristics Data Sheet) (short circuit current)						
I_{SOURCE}	Output Source Current (P-Channel)	$V_{CC} = 5V$ $T_A = 25^\circ C, V_{OUT} = 0V$	-1.75	-3.3		mA
I_{SOURCE}	Output Source Current (P-Channel)	$V_{CC} = 10V$ $T_A = 25^\circ C, V_{OUT} = 0V$	-8.0	-15		mA
I_{SINK}	Output Sink Current (N-Channel)	$V_{CC} = 5V$ $T_A = 25^\circ C, V_{OUT} = V_{CC}$	1.75	3.6		mA
I_{SINK}	Output Sink Current (N-Channel)	$V_{CC} = 10V$ $T_A = 25^\circ C, V_{OUT} = V_{CC}$	8.0	16		mA

Note 1: "Absolute Maximum Ratings" are those values beyond which the safety of the device cannot be guaranteed. Except for "Operating Temperature Range" they are not meant to imply that the devices should be operated at these limits. The table of "Electrical Characteristics" provides conditions for actual device operation.

AC Electrical Characteristics* $T_A = 25^\circ\text{C}$, $C_L = 50\text{ pF}$, unless otherwise noted

Symbol	Parameter	Conditions	Min	Typ	Max	Units
t_{pd0} , t_{pd1}	Propagation Delay Time to a Logical "0" or Logical "1" from Clock or Load to Q or \bar{Q}	$V_{CC} = 5\text{V}$		200	400	ns
		$V_{CC} = 10\text{V}$		80	200	ns
t_{pd0} , t_{pd1}	Propagation Delay Time to a Logical "0" or Logical "1" from H to Q or \bar{Q}	$V_{CC} = 5\text{V}$		200	400	ns
		$V_{CC} = 10\text{V}$		80	200	ns
t_S	Clock Inhibit Set-up Time	$V_{CC} = 5\text{V}$	150	75		ns
		$V_{CC} = 10\text{V}$	60	30		ns
t_S	Serial Input Set-up Time	$V_{CC} = 5\text{V}$	50	25		ns
		$V_{CC} = 10\text{V}$	30	15		ns
t_H	Serial Input Hold Time	$V_{CC} = 5\text{V}$	50	0		ns
		$V_{CC} = 10\text{V}$	30	0		ns
t_S	Parallel Input Set-Up Time	$V_{CC} = 5\text{V}$	150	75		ns
		$V_{CC} = 10\text{V}$	60	30		ns
t_H	Parallel Input Hold Time	$V_{CC} = 5\text{V}$	50	0		ns
		$V_{CC} = 10\text{V}$	30	0		ns
t_W	Minimum Clock Pulse Width	$V_{CC} = 5\text{V}$		70	200	ns
		$V_{CC} = 10\text{V}$		30	100	ns
t_W	Minimum Load Pulse Width	$V_{CC} = 5\text{V}$		85	180	ns
		$V_{CC} = 10\text{V}$		30	90	ns
f_{MAX}	Maximum Clock Frequency	$V_{CC} = 5\text{V}$	2.5	6		MHz
		$V_{CC} = 10\text{V}$	5	12		MHz
t_r , t_f	Maximum Clock Rise and Fall Time	$V_{CC} = 5\text{V}$	10			μs
		$V_{CC} = 10\text{V}$	5			μs
C_{IN}	Input Capacitance	(Note 2)		5		pF
C_{PD}	Power Dissipation Capacitance	(Note 3)		65		pF

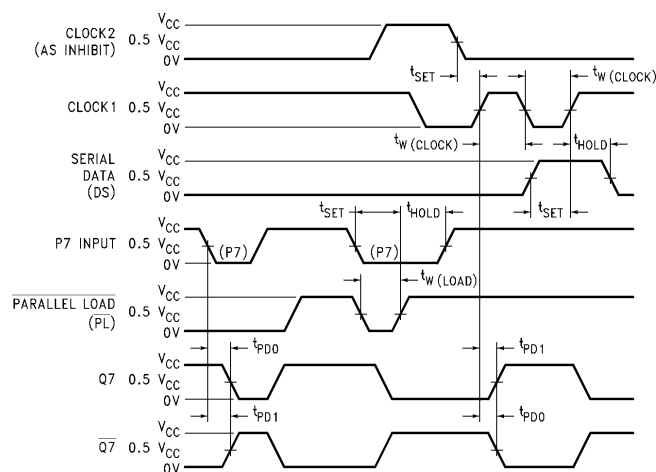
*AC Parameters are guaranteed by DC correlated testing.

Note 1: "Absolute Maximum Ratings" are those values beyond which the safety of the device cannot be guaranteed. Except for "Operating Temperature Range" they are not meant to imply that the devices should be operated at these limits. The table of "Electrical Characteristics" provides conditions for actual device operation.

Note 2: Capacitance is guaranteed by periodic testing.

Note 3: C_{PD} determines the no load AC power consumption of any CMOS device. For complete explanation see 54C/74C Family Characteristics application note AN-90.

Switching Time Waveform



TL/F/5897-4

Note A: The remaining six data and the serial input are low.

Note B: Prior to test, high level data is loaded into the P7 input.

Truth Table

State	Inputs					Internal		Outputs	
	\overline{PL}	Clock1	Clock2 (as enable)	Ds	P0 thru P7	Q0	Q1	Q7	$\overline{Q7}$
Parallel Load	L	X	X	X	P0...P7	P0	P1	P7	$\overline{P7}$
Enable	H	L	L	X	X	P0	P1	P7	$\overline{P7}$
Shift (with Ds)	H	↑	L	H	X	H	P0	P6	$\overline{P6}$
Shift (with Ds)	H	↑	L	L	X	L	H	P5	$\overline{P5}$
Hold (Disable)	H	↑	H	X	X	L	H	P5	$\overline{P5}$

X = don't care

H = $V_{IN(1)}$

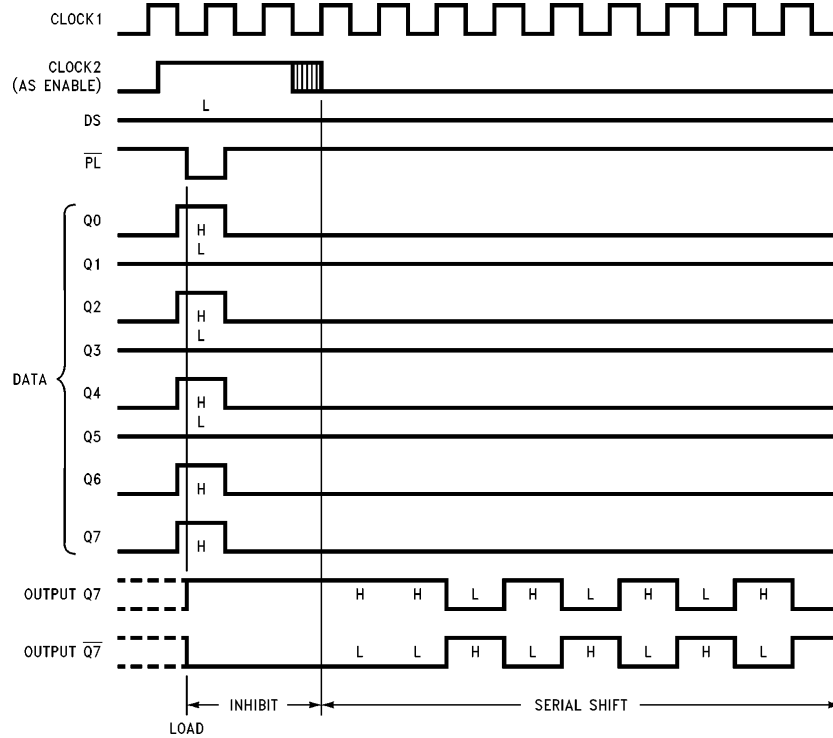
L = $V_{IN(0)}$

↑ = clock transition from $V_{IN(0)}$ to $V_{IN(1)}$

P0 thru P7 = data present (and loaded into) parallel inputs

Q0 thru Q6 = Internal flip-flop outputs

Logic Waveform



TL/F/5897-5

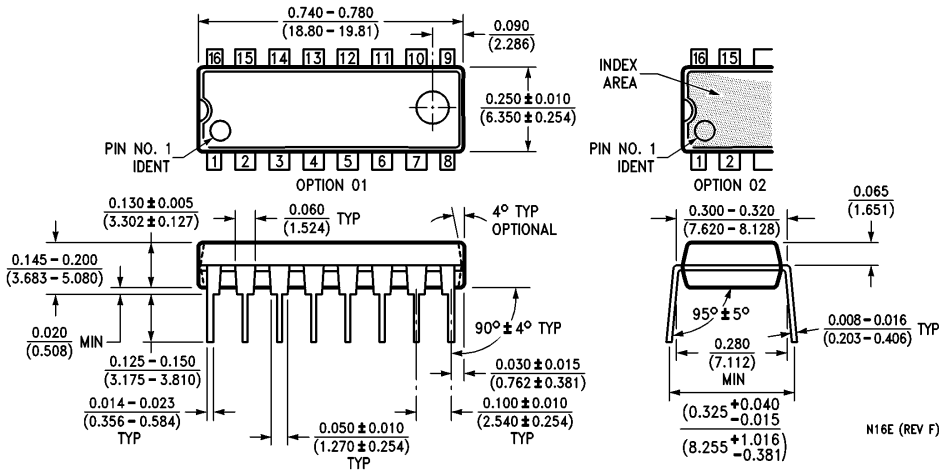
Physical Dimensions inches (millimeters)



Ceramic Dual-In-Line Package (J)
Order Number MM54C165J or MM74C165J
NS Package Number J16A

J16A (REV L)

Physical Dimensions inches (millimeters) (Continued)



Molded Dual-In-Line Package (N)
Order Number MM54C165N or MM74C165N
NS Package Number N16E

LIFE SUPPORT POLICY

NATIONAL'S PRODUCTS ARE NOT AUTHORIZED FOR USE AS CRITICAL COMPONENTS IN LIFE SUPPORT DEVICES OR SYSTEMS WITHOUT THE EXPRESS WRITTEN APPROVAL OF THE PRESIDENT OF NATIONAL SEMICONDUCTOR CORPORATION. As used herein:

1. Life support devices or systems are devices or systems which, (a) are intended for surgical implant into the body, or (b) support or sustain life, and whose failure to perform, when properly used in accordance with instructions for use provided in the labeling, can be reasonably expected to result in a significant injury to the user.
2. A critical component is any component of a life support device or system whose failure to perform can be reasonably expected to cause the failure of the life support device or system, or to affect its safety or effectiveness.



National Semiconductor Corporation
 1111 West Bardin Road
 Arlington, TX 76017
 Tel: 1(800) 272-9959
 Fax: 1(800) 737-7018

National Semiconductor Europe
 Fax: (+49) 0-180-530 85 86
 Email: cnjwge@tevm2.nsc.com
 Deutsch Tel: (+49) 0-180-530 85 85
 English Tel: (+49) 0-180-532 78 32
 Français Tel: (+49) 0-180-532 93 58
 Italiano Tel: (+49) 0-180-534 16 80

National Semiconductor Hong Kong Ltd.
 19th Floor, Straight Block,
 Ocean Centre, 5 Canton Rd.
 Tsimshatsui, Kowloon
 Hong Kong
 Tel: (852) 2737-1600
 Fax: (852) 2736-9960

National Semiconductor Japan Ltd.
 Tel: 81-043-299-2309
 Fax: 81-043-299-2408

National does not assume any responsibility for use of any circuitry described, no circuit patent licenses are implied and National reserves the right at any time without notice to change said circuitry and specifications.