

## Features

- Operating voltage: 2.4V~12V
- Low power and high noise immunity CMOS technology
- Low standby current
- Three words transmission
- Built-in oscillator needs only 5% resistor
- Easy interface with an RF or infrared transmission media
- Minimal external components

## Applications

- Burglar alarm system
- Smoke and fire alarm system
- Garage door controllers
- Car door controllers
- Car alarm system
- Security system
- Cordless telephones
- Other remote control systems

## General Description

The 3<sup>18</sup> encoders are a series of CMOS LSIs for remote control system applications. They are capable of encoding 18 bits of information which consists of N address bits and 18-N data bits. Each address/data input is externally trinary programmable if bonded out. It is otherwise set floating internally. Various packages of the 3<sup>18</sup> encoders offer flexible combinations of

programmable address/data to meet various application needs. The programmable address/data is transmitted together with the header bits via an RF or an infrared transmission medium upon receipt of a trigger signal. The capability to select a TE trigger type or a DATA trigger type further enhances the application flexibility of the 3<sup>18</sup> series of encoders.

## Selection Table

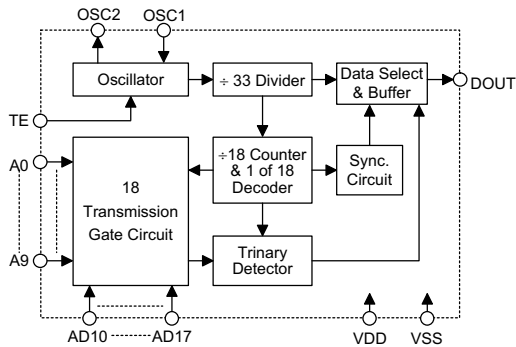
| Function<br>Part No. | Address<br>No. | Address/<br>Data No. | Data<br>No. | Dummy<br>Code No. | Oscillator    | Trigger     | Package        |
|----------------------|----------------|----------------------|-------------|-------------------|---------------|-------------|----------------|
| HT600                | 9              | 5                    | 0           | 4                 | RC oscillator | TE          | 20 DIP/20 SOP  |
| HT640                | 10             | 8                    | 0           | 0                 | RC oscillator | TE          | 24 SOP/24 SDIP |
| HT680                | 8              | 4                    | 0           | 6                 | RC oscillator | TE          | 18 DIP         |
| HT6187               | 9              | 0                    | 3           | 6                 | RC oscillator | D12,D14,D15 | 18 DIP/20 SOP  |
| HT6207               | 10             | 0                    | 4           | 4                 | RC oscillator | D12~D15     | 20 DIP/20 SOP  |
| HT6247               | 12             | 0                    | 6           | 0                 | RC oscillator | D12~D17     | 24 SOP/24 SDIP |

Note: Address/Data represents addressable pins or data according to the decoder requirements.

**Block Diagram**

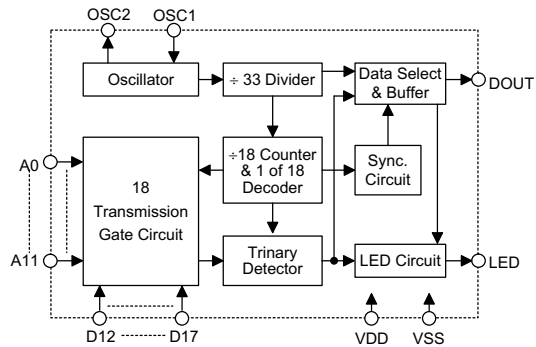
**TE trigger**

HT600/HT640/HT680



**DATA trigger**

HT6187/HT6207/HT6247

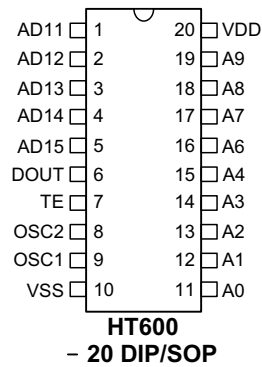


Note: The address/data pins are available in various combinations.

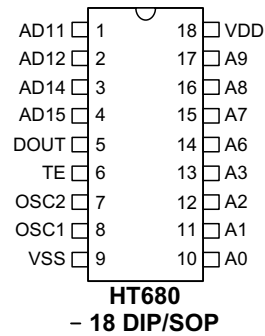
**Pin Assignment**

**TE trigger type**

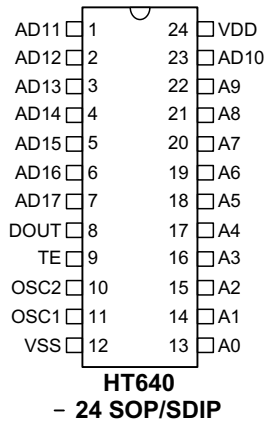
**9-Address  
5-Address/Data**

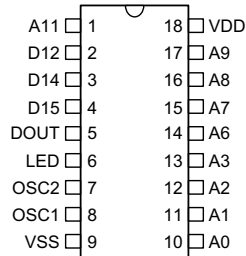
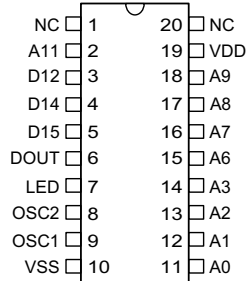
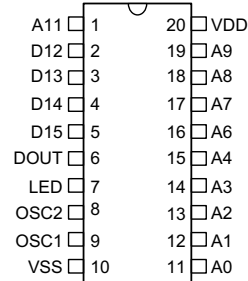
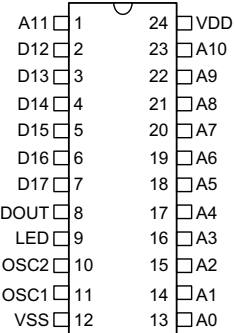


**8-Address  
4-Address/Data**



**10-Address  
8-Address/Data**



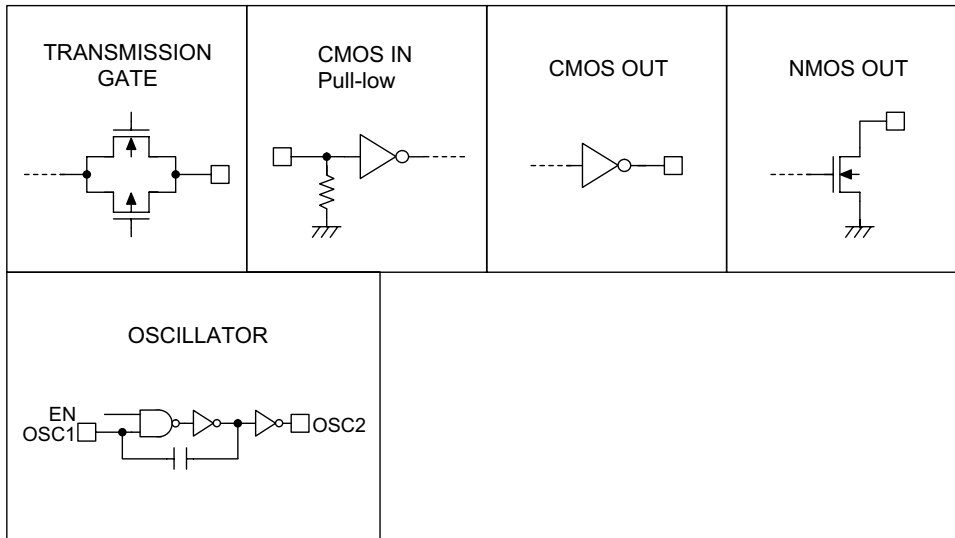
**DATA trigger type**
**9-Address  
3-Data**

**HT6187  
- 18 DIP**
**9-Address  
3-Data**

**HT6187  
- 20 SOP**
**10-Address  
4-Data**

**HT6207  
- 20 DIP/SOP**
**12-Address  
6-Data**

**HT6247  
- 24 SOP/SDIP**
**Pin Description**

| Pin Name  | I/O | Internal Connection | Description   |
|-----------|-----|---------------------|---|
| A0~A11    | I   | TRANSMISSION GATE   | Input pins for address A0~A11 setting<br>They can be externally set to VDD, VSS, or left open.  |
| AD10~AD17 | I   | TRANSMISSION GATE   | Input pins for address/data (AD10~AD17) setting<br>They can be externally set to VDD, VSS, or left open.                                  |
| D12~D17   | I   | CMOS IN<br>Pull-low | Input pins for data (D12~D17) setting and transmission enable (active high)<br>They can be externally set to VDD or left open (see Note). |
| DOUT      | O   | CMOS OUT            | Encoder data serial transmission output   |
| LED       | O   | NMOS OUT            | LED transmission enable indicator   |
| TE        | I   | CMOS IN<br>Pull-low | Transmission enable, active high (see Note).  |
| OSC1      | I   | OSCILLATOR          | Oscillator input pin  |
| OSC2      | O   | OSCILLATOR          | Oscillator output pin   |
| VSS       | I   | —                   | Negative power supply (GND)   |
| VDD       | I   | —                   | Positive power supply   |

Notes: D12~D17 are data input and transmission enable pins of the HT6187/HT6207/HT6247.

TE is the transmission enable pin of the HT600/HT640/HT680.

**Approximate internal connection circuits**



**Absolute Maximum Ratings**

|                          |                |                             |                               |
|--------------------------|----------------|-----------------------------|-------------------------------|
| Supply Voltage.....      | -0.3V to 13V   | Input Voltage .....         | $V_{SS}-0.3$ to $V_{DD}+0.3V$ |
| Storage Temperature..... | -50°C to 125°C | Operating Temperature ..... | -20°C to 75°C                 |

Note: These are stress ratings only. Stresses exceeding the range specified under "Absolute Maximum Ratings" may cause substantial damage to the device. Functional operation of this device at other conditions beyond those listed in the specification is not implied and prolonged exposure to extreme conditions may affect device reliability.

**Electrical Characteristics**

$T_a=25^\circ C$

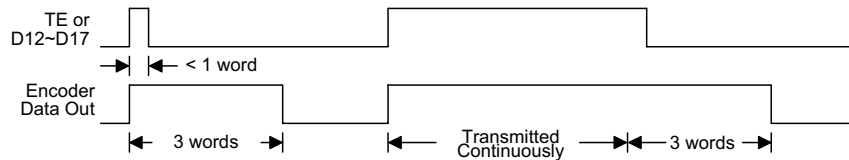
| Symbol     | Parameter            | Test Conditions |                             | Min. | Typ. | Max. | Unit    |
|------------|----------------------|-----------------|-----------------------------|------|------|------|---------|
|            |                      | $V_{DD}$        | Conditions                  |      |      |      |         |
| $V_{DD}$   | Operating Voltage    | —               | —                           | 2.4  | —    | 12   | V       |
| $I_{STB}$  | Standby Current      | 3V              | Oscillator stops            | —    | 0.1  | 1    | $\mu A$ |
|            |                      | 12V             |                             | —    | 2    | 4    | $\mu A$ |
| $I_{DD}$   | Operating Current    | 5V              | No load<br>$f_{OSC}=100kHz$ | —    | 250  | 500  | $\mu A$ |
|            |                      | 12V             |                             | —    | 1200 | 2400 | $\mu A$ |
| $I_{LED}$  | LED Sink Current     | 5V              | $V_{LED}=0.5V$              | 1.5  | 3    | —    | mA      |
| $I_{DOUT}$ | Output Drive Current | 5V              | $V_{OH}=0.9V_{DD}$ (Source) | -0.6 | -1.2 | —    | mA      |
|            |                      | 5V              | $V_{OL}=0.1V_{DD}$ (Sink)   | 0.6  | 1.2  | —    | mA      |

| Symbol            | Parameter                   | Test Conditions |                         | Min.               | Typ. | Max.               | Unit |
|-------------------|-----------------------------|-----------------|-------------------------|--------------------|------|--------------------|------|
|                   |                             | V <sub>DD</sub> | Conditions              |                    |      |                    |      |
| V <sub>IH</sub>   | "H" Input Voltage           | —               | —                       | 0.8V <sub>DD</sub> | —    | V <sub>DD</sub>    | V    |
| V <sub>IL</sub>   | "L" Input Voltage           | —               | —                       | 0                  | —    | 0.2V <sub>DD</sub> | V    |
| f <sub>OSC</sub>  | Oscillator Frequency        | 10V             | R <sub>OSC</sub> =330kΩ | —                  | 100  | —                  | kHz  |
| R <sub>TE</sub>   | TE Pull-low Resistance      | 5V              | V <sub>TE</sub> =5V     | —                  | 1.5  | 3                  | MΩ   |
| R <sub>DATA</sub> | D12~D17 Pull-low Resistance | 5V              | V <sub>DATA</sub> =5V   | —                  | 1.5  | 3                  | MΩ   |

## Functional Description

### Operation

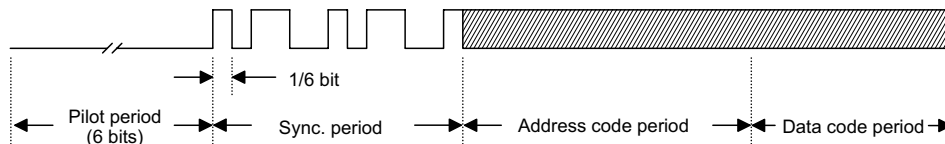
The 3<sup>18</sup> series of encoders begins a three-word transmission cycle upon receipt of a transmission enable (TE for the HT600/HT640/HT680 or D12~D17 for the HT6187/HT6207/HT6247, active high). This cycle will repeat itself as long as the transmission enable (TE or D12~D17) is held high. Once the transmission enable falls low, the encoder output completes its final cycle and then stops as shown below.



Transmission timing

### Information word

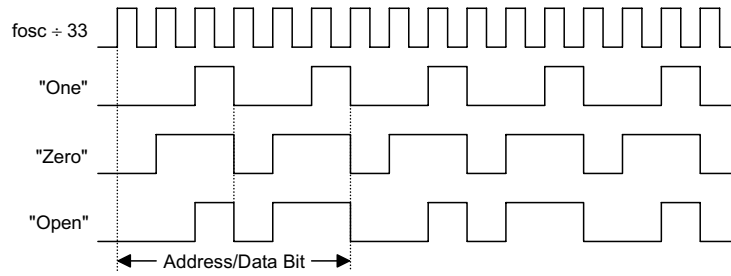
An information word consists of 4 periods as shown:



Composition of information

**Address/data waveform**

Each programmable address/data pin can be externally set to one of the following three logic states:



Address/Data bit waveform

The "Open" state data input is interpreted as logic low by the decoders since the decoder output only have two states.

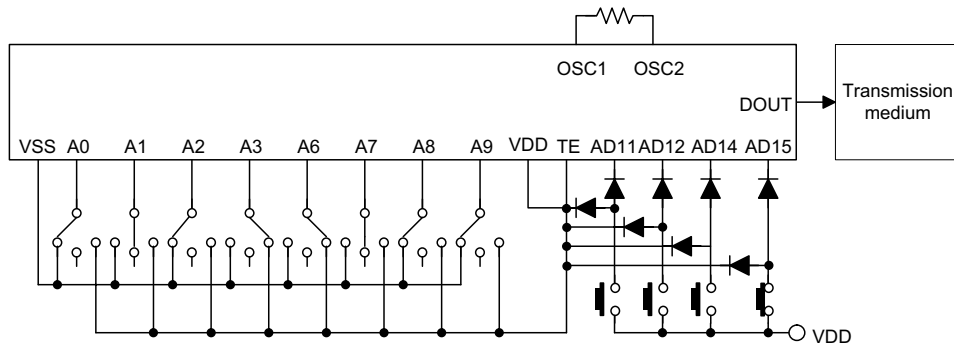
**Address/data programming (preset)**

The status of each address/data pin can be individually preset to logic "high", "low", or "floating". If a transmission enable signal is applied, the encoder scans and transmits the status of the 18 bits of address/data serially in the order A0 to AD17 for the HT600/HT640/HT680 and A0 to D17 for the HT6187/HT6207/HT6247.

There are some packaging limitations. The 18-pin DIP HT680, for example, offers four external data bits and eight external address bits. The remaining unpackaged bits or dummy codes are treated as floating for A0~AD17 or as pull-low for D12~D17. During an information transmission these bits are still located in their original position. But if the trigger signal is not applied, the chip only consumes a standby current which is less than 1µA.

The address pins are usually preset to transmit data codes with particular security codes by the DIP switches or PCB wiring, while the data is selected using push buttons or electronic switches.

The following figure shows an application using the HT680:



The transmitted information is as shown:

|                          |      |      |      |      |      |      |    |    |    |    |      |      |
|--------------------------|------|------|------|------|------|------|----|----|----|----|------|------|
| <b>Pilot &amp; Sync.</b> | A0   | A1   | A2   | A3   | A4   | A5   | A6 | A7 | A8 | A9 | AD10 | AD11 |
|                          | 0    | Z    | 0    | 1    | Z    | Z    | 1  | Z  | 0  | 0  | Z    | Z    |
| —                        | AD12 | AD13 | AD14 | AD15 | AD16 | AD17 |    |    |    |    |      |      |
|                          | Z    | Z    | Z    | 1    | Z    | Z    |    |    |    |    |      |      |

Z: floating

#### Address/Data sequence

The following provides a table of address/data sequence for various models of the 3<sup>18</sup> series encoders. A correct device should be selected according to the individual address and data requirements.

| Part No. | Address/Data Bits |    |    |       |      |      |      |      |      |      |      |      |
|----------|-------------------|----|----|-------|------|------|------|------|------|------|------|------|
|          | 0~3               | 4  | 5  | 6~9   | 10   | 11   | 12   | 13   | 14   | 15   | 16   | 17   |
| HT600    | A0~A3             | A4 | —  | A6~A9 | —    | AD11 | AD12 | AD13 | AD14 | AD15 | —    | —    |
| HT640    | A0~A3             | A4 | A5 | A6~A9 | AD10 | AD11 | AD12 | AD13 | AD14 | AD15 | AD16 | AD17 |
| HT680    | A0~A3             | —  | —  | A6~A9 | —    | AD11 | AD12 | —    | AD14 | AD15 | —    | —    |
| HT6187   | A0~A3             | —  | —  | A6~A9 | —    | A11  | D12  | —    | D14  | D15  | —    | —    |
| HT6207   | A0~A3             | A4 | —  | A6~A9 | —    | A11  | D12  | D13  | D14  | D15  | —    | —    |
| HT6247   | A0~A3             | A4 | A5 | A6~A9 | AD10 | A11  | D12  | D13  | D14  | D15  | D16  | D17  |

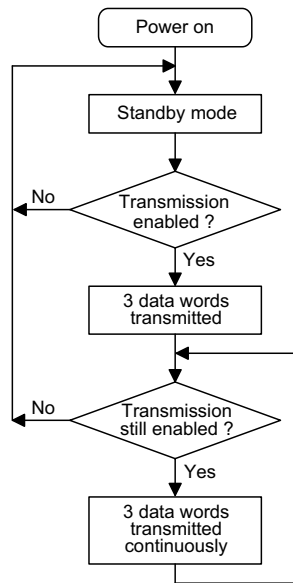
Notes: "—" is a dummy code which is left "open" and not bonded out.

"—" is a dummy code which is set low and not bonded out.

#### Transmission enable

For the TE trigger type of encoders, transmission is enabled by applying a high signal to the TE pin. But for the Data trigger type of encoders, it is enabled by applying a high signal to one of the data pins D12~D17.

Flowchart

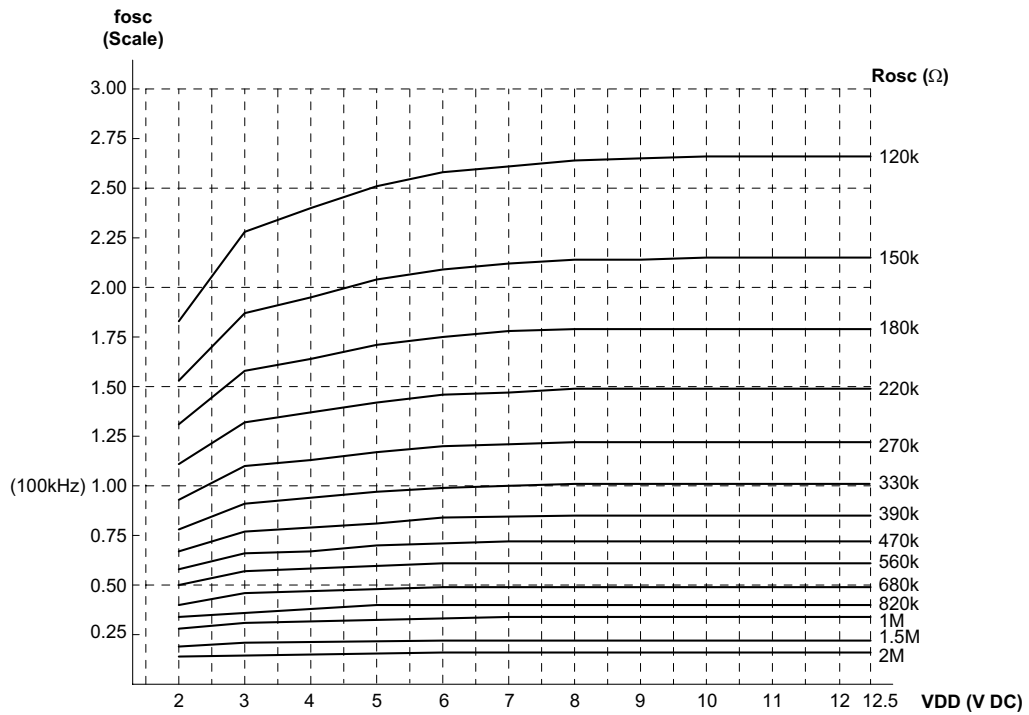


Notes: D12~D17 are transmission enables of the HT6187/HT6207/HT6247.

TE is the transmission enable of the HT600/HT640/HT680.

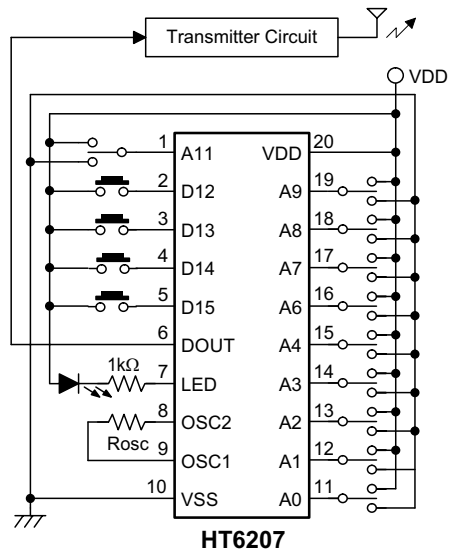
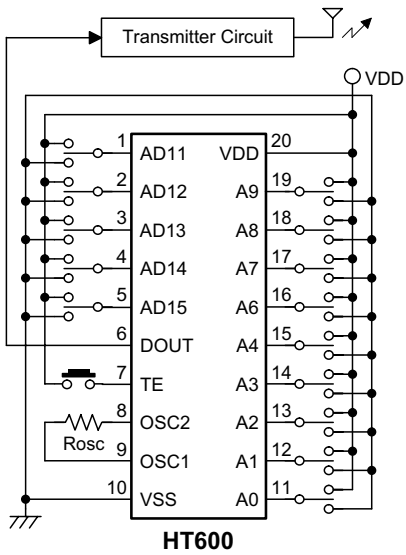
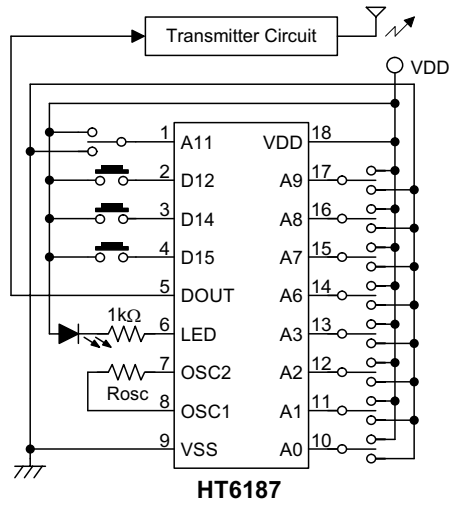
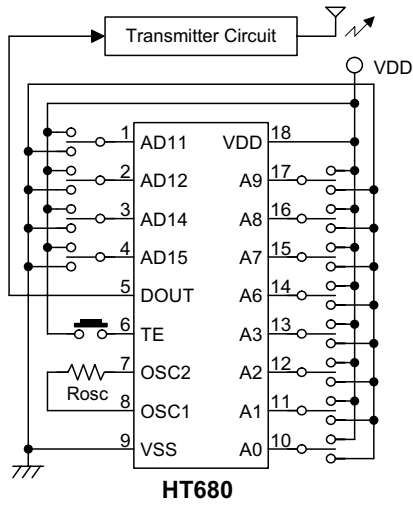


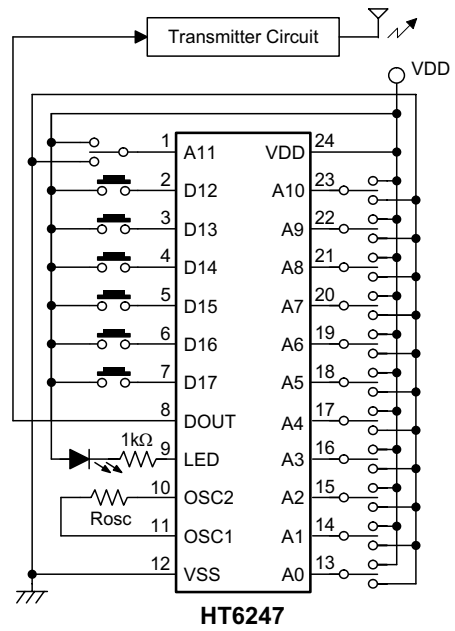
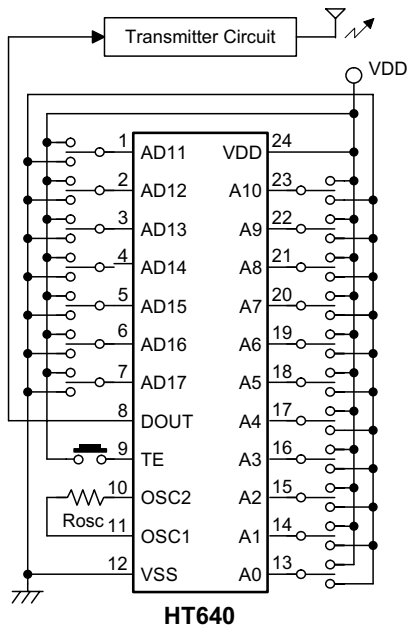
Oscillator frequency vs supply voltage



The recommended oscillator frequency is  $f_{OSCD} \text{ (decoder)} \cong f_{OSCE} \text{ (encoder)}$ .

**Application Circuits**





Notes: Typical infrared diode: EL-1L2 (KODENSHI CORP.)  
 Typical RF transmitter: JR-220 (JUWA CORP.)  
 TX-99 (MING MICROSYSTEM, U.S.A.)

**Holtek Semiconductor Inc. (Headquarters)**

No.3 Creation Rd. II, Science-based Industrial Park, Hsinchu, Taiwan, R.O.C.  
Tel: 886-3-563-1999  
Fax: 886-3-563-1189

**Holtek Semiconductor Inc. (Taipei Office)**

5F, No.576, Sec.7 Chung Hsiao E. Rd., Taipei, Taiwan, R.O.C.  
Tel: 886-2-2782-9635  
Fax: 886-2-2782-9636  
Fax: 886-2-2782-7128 (International sales hotline)

**Holtek Microelectronics Enterprises Ltd.**

RM.711, Tower 2, Cheung Sha Wan Plaza, 833 Cheung Sha Wan Rd., Kowloon, Hong Kong  
Tel: 852-2-745-8288  
Fax: 852-2-742-8657

Copyright © 1999 by HOLTEK SEMICONDUCTOR INC.

The information appearing in this Data Sheet is believed to be accurate at the time of publication. However, Holtek assumes no responsibility arising from the use of the specifications described. The applications mentioned herein are used solely for the purpose of illustration and Holtek makes no warranty or representation that such applications will be suitable without further modification, nor recommends the use of its products for application that may present a risk to human life due to malfunction or otherwise. Holtek reserves the right to alter its products without prior notification. For the most up-to-date information, please visit our web site at <http://www.holtek.com.tw>.

This datasheet has been downloaded from:

[www.DatasheetCatalog.com](http://www.DatasheetCatalog.com)

Datasheets for electronic components.