

## **BOOSTXL-3PhGaNIInv Evaluation Module**

The BOOSTXL-3PhGaNIInv EVM (also referred to as "EVM" throughout this document) realizes a 48-V and 10-A three-phase GaN inverter with precision in-line shunt-based phase current sensing for accurate control of precision drives such as servo drives. The EVM offers a TI BoosterPack™ compatible interface to connect to a C2000™ MCU LaunchPad™ development kit for easy performance evaluation.

### **Contents**

1	Introduction .....	2
	1.1 Features .....	2
	1.2 Applications .....	2
	1.3 Description .....	2
2	Getting Started Hardware and Software .....	6
	2.1 BOOSTXL-3PhGaNIInv EVM PCB Overview .....	6
	2.2 BOOSTXL-3PhGaNIInv EVM Jumper Settings .....	7
	2.3 Interface to C2000 InstaSPIN-MOTION LaunchPad™ .....	7
	2.4 InstaSPIN-FOC Example Project for Teknic Servo Motor M-2310P-LN-04K .....	8
3	Schematic, Bill of Materials, and PCB Layout .....	12
	3.1 Schematics, Bill of Materials and PCB files .....	12
	3.2 PCB Layout Recommendations .....	12

### **List of Figures**

1	Typical Current Shunt Placement in Three-Phase Inverters .....	2
2	Inline Shunt Phase Current Sensing With INA240 Current Sense Amplifier .....	3
3	BOOSTXL-3PhGaNIInv EVM Block Diagram .....	4
4	BOOSTXL-3PhGaNIInv EVM PCB—Top View .....	6
5	BOOSTXL-3PhGaNIInv EVM PCB—Bottom View .....	6
6	BOOSTXL-3PhGaNIInv EVM LaunchPad™ Connection Example .....	8
7	Dialog Window for Step 4 .....	9
8	Dialog Window for Step 5a .....	9
9	Dialog Window for Step 5b .....	10
10	Dialog Window for Step 6a .....	10
11	Dialog Window for Step 6b .....	11

### **List of Tables**

1	BOOSTXL-3PhGaNIInv EVM Jumper Settings .....	7
---	--	---

### **Trademarks**

BoosterPack, C2000, LaunchPad, InstaSPIN-FOC, InstaSPIN-MOTION, MotorWare, Code Composer Studio are trademarks of Texas Instruments.  
All other trademarks are the property of their respective owners.

## 1 Introduction

### 1.1 Features

This EVM supports the following features:

- Wide input voltage range 12 V to 60 V
- LMG5200 GaN half-bridge power stage simplifies PCB layout and reduces parasitic inductances for optimized switching performance; less than 2-ns rise and fall time
- Precision in-line phase current sensing with 5-mΩ shunt (for theoretical ±16.5-A full-scale range), and ±10-A peak nominal range for this EVM
- TI BoosterPack Compatible Interface With 3.3-V I/O for Easy Performance Evaluation With C2000 MCU LaunchPad Development Kit

### 1.2 Applications

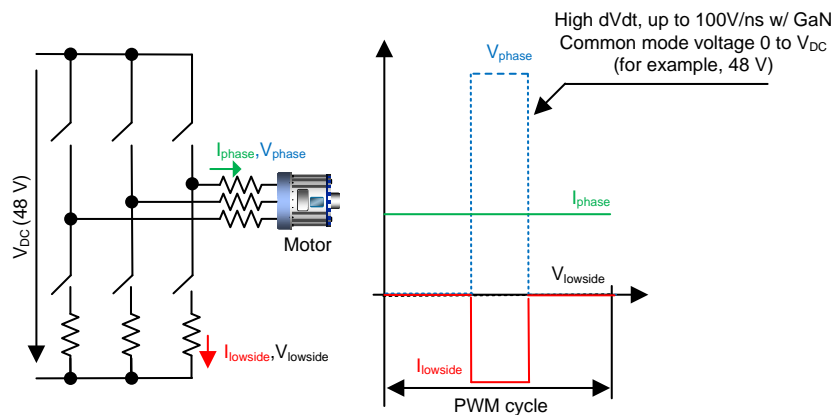
This EVM can be used in the following applications:

- Servo drives and motion control
- Computer numerical control (CNC) drives
- Manufacturing robots
- Service robots
- Non-military drones

### 1.3 Description

#### 1.3.1 System Description

For low-voltage drives, shunt-based current sensing is typically implemented as shown in [Figure 1](#).



**Figure 1. Typical Current Shunt Placement in Three-Phase Inverters**

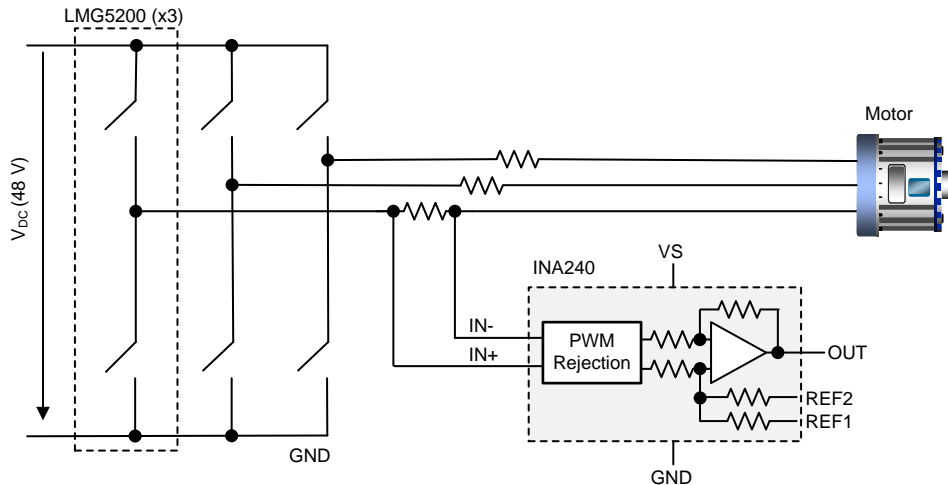
Depending on the location of the shunts, the configuration is either low-side or in-line current sensing. There are disadvantages with low-side sensing. The in-line phase current shunt overcomes these problems and allows for high-precision, accurate phase current sensing.

However, one of the biggest challenges with in-line shunt-based current sensing is the presence of high common-mode voltage transients during PWM switching.

The INA240 is designed for common mode voltages from -4 V to 80 V. The high CMRR allows the INA240 to suppress common mode transients and provide a clean output voltage that corresponds to the differential input.

For three-phase inverters, the differential signal from the phase current shunts can be directly connected to the INA240 differential inputs and a highly-accurate output is available with minimal common-mode transient artifacts which typically settles out within 2  $\mu$ s.

Figure 2 shows the in-line phase current shunt topology as realized with the BOOSTXL-3PhGaNInv EVM. For precision phase-current measurements with high linearity, the EVM design employs three in-line phase current shunts and three differential precision current sense amplifiers INA240 with high common-mode and high AC common-mode transient immunity.



**Figure 2. Inline Shunt Phase Current Sensing With INA240 Current Sense Amplifier**

The EVM three-phase inverter is realized with three LMG5200 GaN half-bridge power modules to allow high PWM switching frequencies and low loss.

The LMG5200 device integrates the driver and two 80-V GaN FETs in a 6-mm x 8-mm QFN package, which is optimized for extremely-low-gate loop and power loop impedance.

### 1.3.2 Block Diagram

Figure 3 shows the system block diagram of the three-phase GaN inverter with the BOOSTXL-3PhGaNInv EVM device indicated in the red-dotted box.

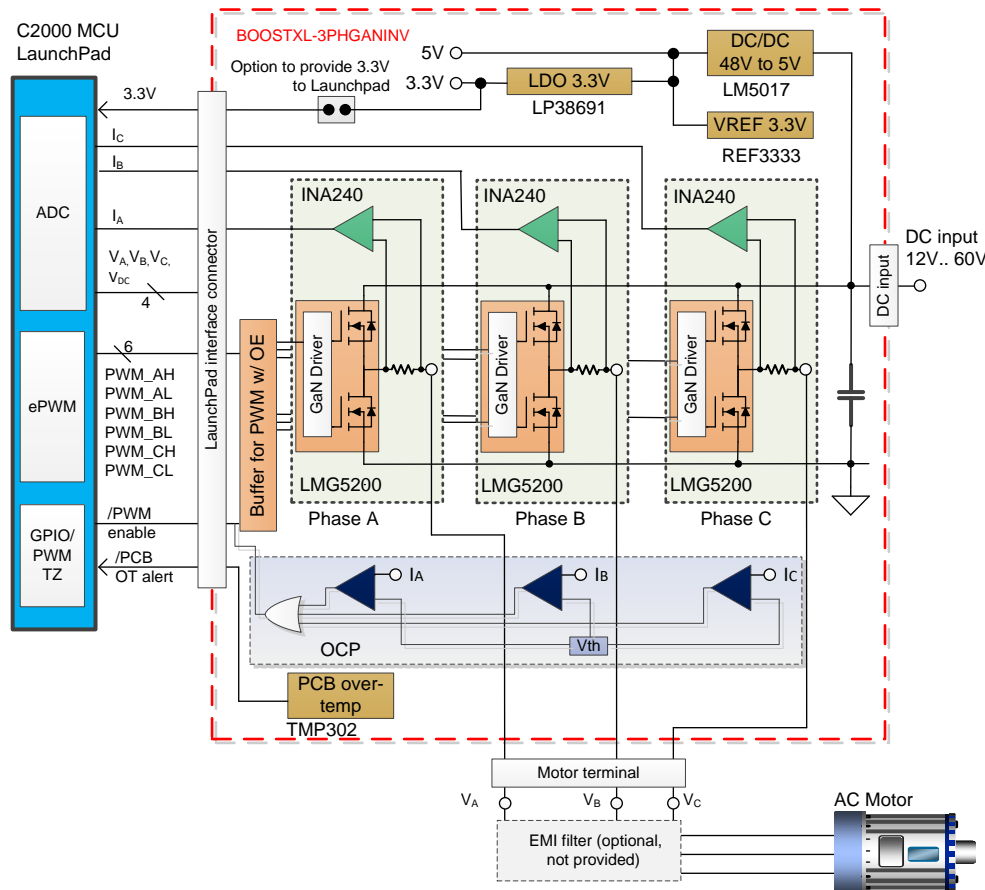


Figure 3. BOOSTXL-3PhGaNInv EVM Block Diagram

The EVM three-phase inverter with shunt-based precision phase current sensing accepts input DC voltages from 12 V to 60 V; the nominal DC input voltage is 48 V. A wide input voltage range, DC/DC converter LM5017 generates the 5-V rail to supply the LMG5200 gate driver and the 3.3-V band-gap reference, a 3.3-V LDO supplies the current sense amplifier, input buffer and other auxiliary circuits.

Each of the three inverter half-bridges employs an integrated 80-V and 10-A GaN half-bridge module (LMG5200), a 5-mΩ phase current shunt and a differential current sense amplifier (INA240) with a gain of 20 V/V and a midpoint voltage of 1.65 V, set by the 3.3-V reference (REF3333). A temperature switch (TMP302) monitors the PCB temperature close to the GaN power module.

The EVM interface connector to a host processor, like C2000 MCU provides the PWM high- and low-side input signals, the phase current sense amplifier output voltage and the scaled, low-pass filtered phase voltage for each of the three phases. The PWM signals are buffered. A PWM enable signal (active low) allows the host processor to enable and disable all three complementary PWM simultaneously through the onboard buffer. The interface connector also provides the scaled DC-link voltage as well as a PCB over-temperature alert (active low).

Hardware overcurrent protection is implemented with the TLV3201. The trip threshold is set to 12 A, with 1-A hysteresis.

The motor is connected to the three-phase motor terminal.

The C2000 MCU LaunchPad with the TMS320F28069M device is connected to the EVM and implements a sensorless, speed-variable, field-oriented control of a synchronous motor using the InstaSPIN-FOC™ software. An example firmware for the TMS320F28069M device on the InstaSPIN-MOTION™ LaunchPad has been provided to evaluate the BOOSTXL-3PhGaNInv EVM design with a 48-V low-voltage servo motor (<http://www.ti.com/tool/lvservomtr>).

## 2 Getting Started Hardware and Software

### 2.1 BOOSTXL-3PhGaNInv EVM PCB Overview

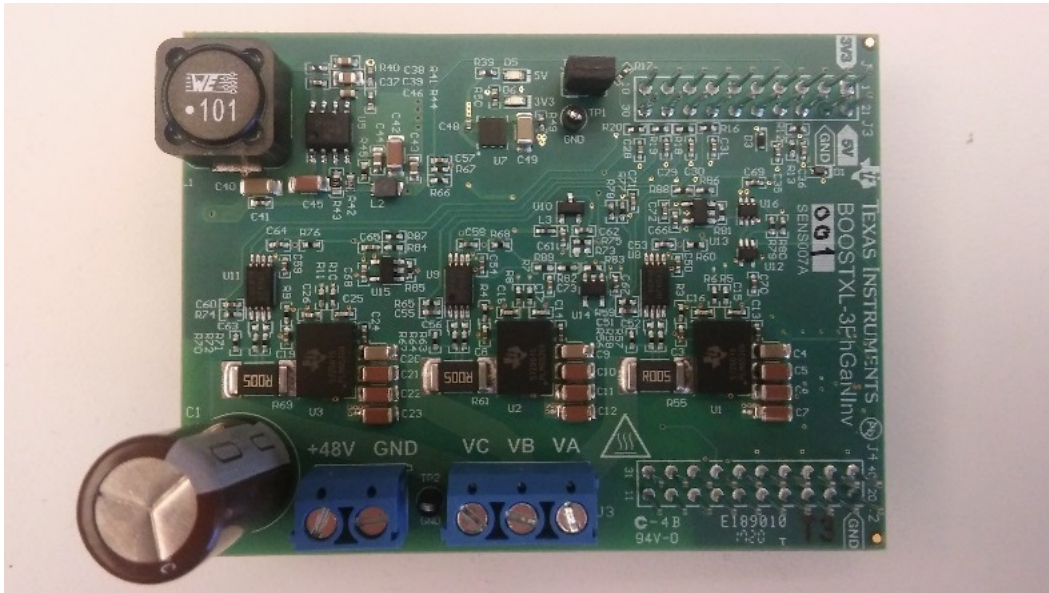


Figure 4. BOOSTXL-3PhGaNInv EVM PCB—Top View

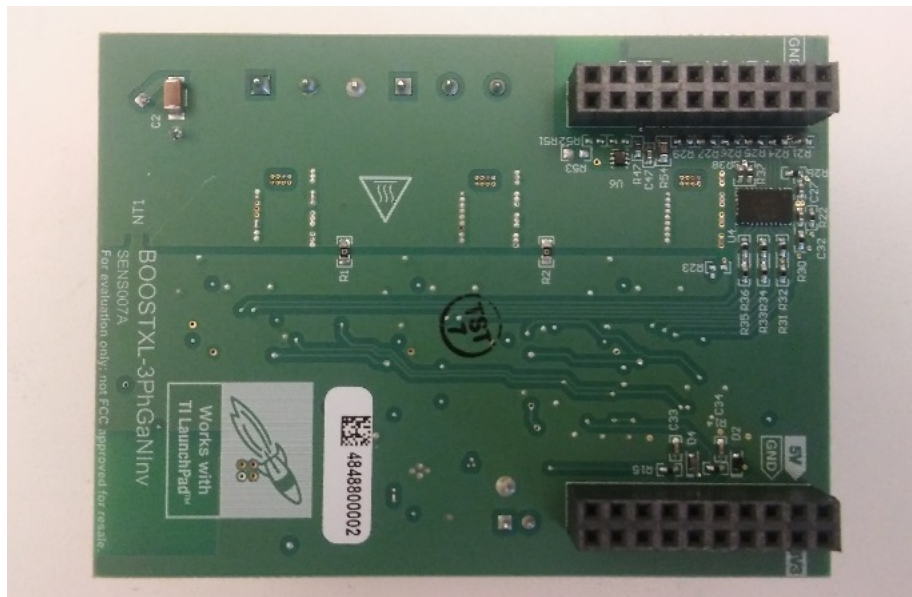


Figure 5. BOOSTXL-3PhGaNInv EVM PCB—Bottom View

## 2.2 BOOSTXL-3PhGaNInv EVM Jumper Settings

The jumper J6, when populated, provides 3.3 V to the J1-1 interface pin to supply the C2000 LaunchPad with 3.3 V. The maximum continuous current is 300 mA. When working in a debug session, J6 should be uninstalled if the C2000 LaunchPad is connected to and powered by a USB port.

Table 1 shows the BOOSTXL-3PhGaNInv EVM jumper settings.

**Table 1. BOOSTXL-3PhGaNInv EVM Jumper Settings**

Jumper	Function	Populated	Not Populated
J6	3.3-V supply at J1-1 interface connector to LaunchPad	3.3 V (default)	Not connected

### CAUTION

When the jumper J6 is populated, ensure that the C2000 LaunchPad is not powered through USB. To ensure this, remove J6, or remove the JP1 and JP2 jumpers on the C2000 InstaSPIN-MOTION LaunchPad.

## 2.3 Interface to C2000 InstaSPIN-MOTION LaunchPad™

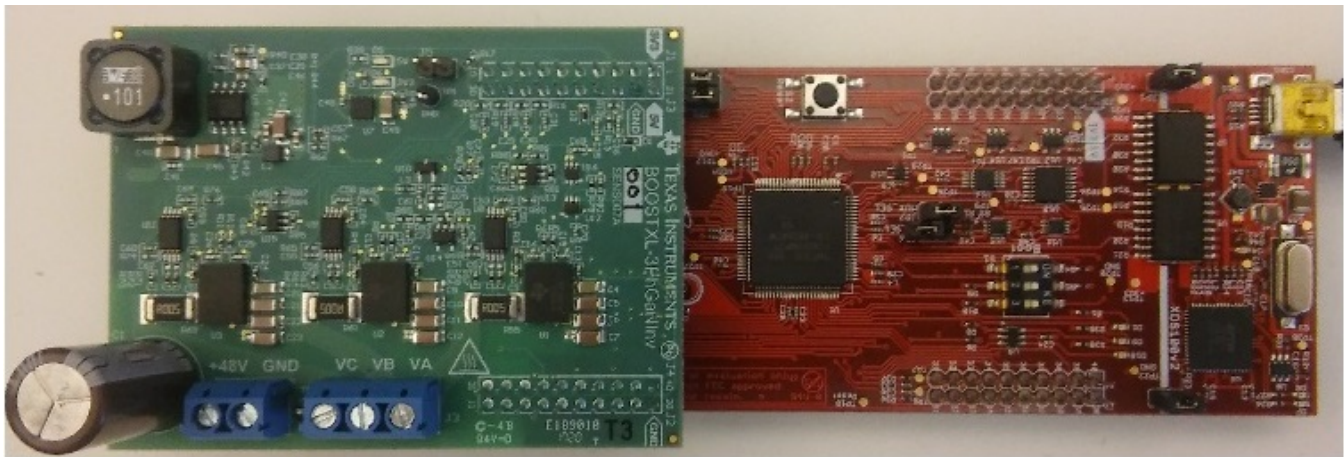
The BOOSTXL-3PhGaNInv EVM interface specification is compliant to the TI BoosterPack standard. The BOOSTXL-3PhGaNInv EVM board can either be connected to the C2000 InstaSPIN-MOTION LaunchPad headers J1 through J3 and J2 through J4 or to the extended headers J5 through J7 and J6 through J8.

### CAUTION

- When connecting the BOOSTXL-3PhGaNInv EVM to the LaunchPad, pay attention that the bottom-side solder joints do not touch any jumpers or headers of the LaunchPad.
- The phase current  $I_A$ ,  $I_B$ , and  $I_C$  equivalent output voltage at connectors J1-14, J1-16, and J1-18 is inverted versus the DRV8301 BoosterPack. This was done to facilitate layout.
- When J6 is populated so that the BOOSTXL-3PhGaNInv EVM provides the 3.3 V to supply the LaunchPad, ensure that the LaunchPad is not powered from a USB. Alternatively, remove J6 and power the LaunchPad through USB by populating JP1 and JP2 jumpers on the InstaSPIN-MOTION LaunchPad, as Figure 6 shows.

Figure 6 shows the BOOSTXL-3PhGaNInv EVM connected to the InstaSPIN-MOTION LaunchPad headers J5 through J7 and J6 through J8. Note that the BOOSTXL-3PhGaNInv EVM J6 is removed and the jumpers JP1 and JP2 on the LaunchPad are populated. The LaunchPad is powered by the USB port in this configuration.





**Figure 6. BOOSTXL-3PhGaNInv EVM LaunchPad™ Connection Example**

Connect the DC power supply (12 to 60 V, 48-V nominal) to the DC input voltage connector (J4) and the three-phase motor to the three-phase output voltage connector (J3). Validate that the three-phase motor can handle the high slew rates of the phase voltages during PWM switching; otherwise, consider using a low-pass LCR filter to reduce the slew rate of the phase voltage according to the requirements of the motor.

## 2.4 InstaSPIN-FOC Example Project for Teknic Servo Motor M-2310P-LN-04K

The software example is created for the InstaSPIN-MOTION LaunchPad using headers J5 or J7 and J6 or J8. Ensure the EVM board is connected to the InstaSPIN-MOTION LaunchPad as [Figure 6](#) shows.

Be sure to install Texas Instrument's MotorWare™ software package in the default install path, for example `C:\ti\motorware\motorware_1_01_00_18`.

Unzip the BOOSTXL-3PhGaNInv EVM software package.

Follow the steps in [Section 2.4.1](#) to create an InstaSPIN-FOC project example for the EVM hardware connected to the InstaSPIN-MOTION LaunchPad.

### 2.4.1 Set up BOOSTXL-3PhGaNInv EVM Board Specific Project Folders in MotorWare™ Software

1. Navigate to folder: `C:\ti\motorware\motorware_1_01_00_18\sw\solutions\instaspin_foc\boards`.
2. Create a copy of the `boostxldr8301_revB` folder in the same directory and rename it to `boostxl-3PhGaNInv`.
3. Navigate to the folder: `C:\ti\motorware\motorware_1_01_00_18\sw\modules\hal\boards`.
4. Create a copy of the `boostxldr8301_revB` folder in the same directory and rename it `boostxl-3PhGaNInv`.
5. Copy the five source files provided with the EVM software package to the `boostxl-3PhGaNInv` project folders, as follows:
  - A. Copy `user.h` and `user_j5.h` to the following directory:  
`C:\ti\motorware\motorware_1_01_00_18\sw\solutions\instaspin_foc\boards\boostxl-3PhGaNInv\28x1f2806x\src`. Note that this action replaces or overwrites the original files.
  - B. Copy `hal.c` and `hal.h` to the following directory:  
`C:\ti\motorware\motorware_1_01_00_18\sw\modules\hal\boards\boostxl-3PhGaNInv\28x1f2806x\src`. Note that this action replaces or overwrites the original files.
  - C. Copy `proj_lab02a-BOOSTXL-3PhGaNInv.c` to the following directory:  
`C:\ti\motorware\motorware_1_01_00_18\sw\solutions\instaspin_foc\src`.



### 2.4.2 Set up BOOSTXL-3PhGaNInv EVM Board Specific Project With Code Composer Studio™ (CCS) Software

1. Start the CCS software, choose boostxl-3PhGaNInv as the new workspace, and import the *boostxl-3PhGaNInv* project from:  
*C:\ti\motorware\motorware\_1\_01\_00\_18\sw\solutions\instaspin\_foc\boards\boostxl-3PhGaNInv\F28x\F2806x\F\projects\ccs.*
2. Make the *proj\_lab02a* project active.
3. In the CCS Project explorer for *proj\_lab02a*, select the *proj\_lab02a.c* source file and exclude it from the build.
4. Add *proj\_lab02a-BOOSTXL-3PhGaNInv.c* to the project by browsing to the following folder:  
*C:\ti\motorware\motorware\_1\_01\_00\_18\sw\solutions\instaspin\_foc\src.* In the dialog window, add the option for adding *proj\_lab02a-BOOSTXL-3PhGaNInv.c* as per [Figure 7](#) and click the OK button.

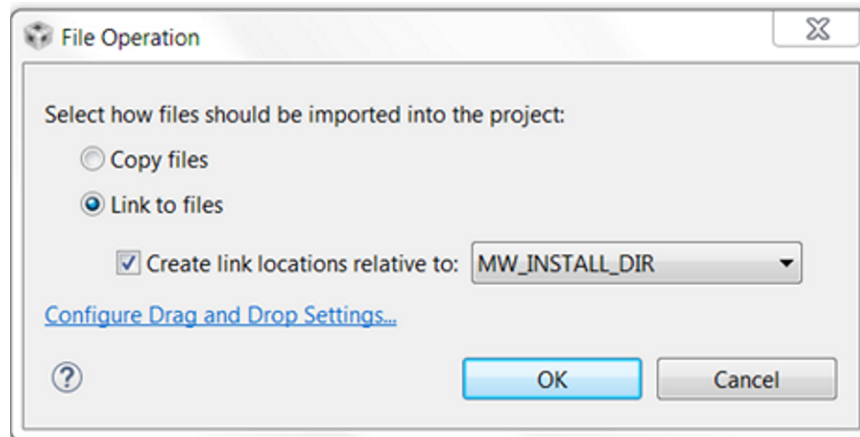


Figure 7. Dialog Window for Step 4

5. In the CCS Project explorer, open the properties window of the *proj\_lab02* project.
  - a. In the *File* menu, navigate to "Resources" → "Linked Resources", and in the dialog window click the tab on the right for linked resources, as [Figure 8](#) shows:

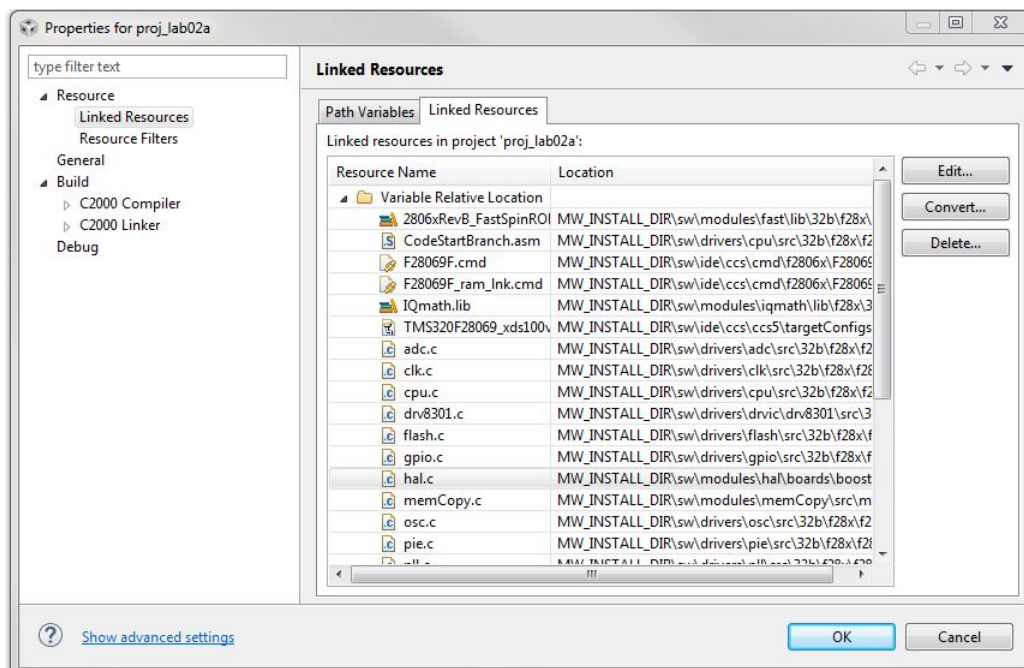
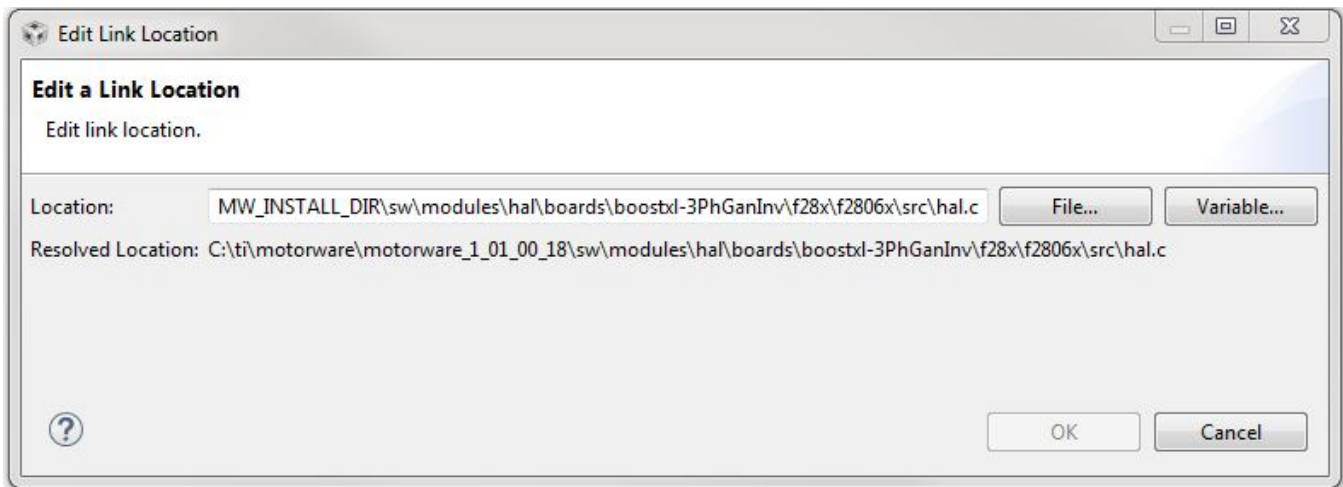


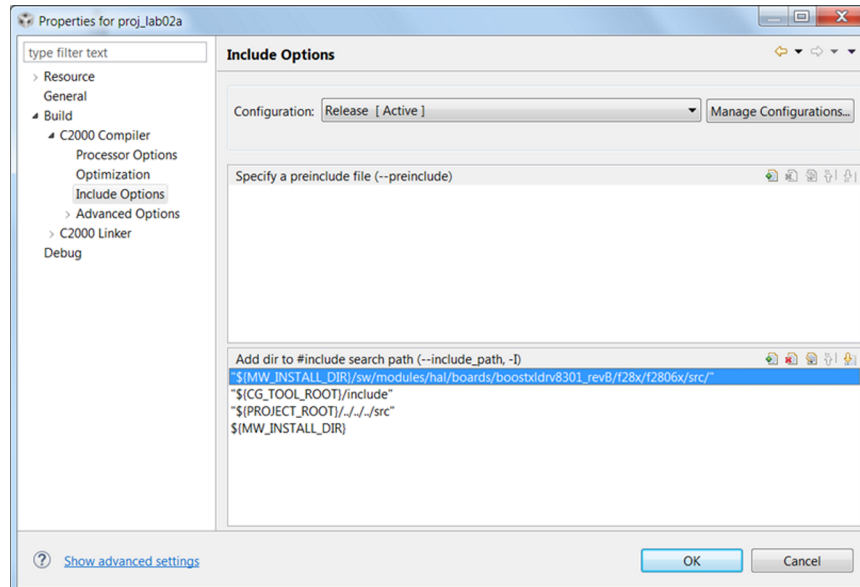
Figure 8. Dialog Window for Step 5a

- b. Select the *hal.c* file (in the "Resource Name" column) and edit the existing link (in the "Location" column) with the new link to the boostxl-3PhGanInv project: *MW\_INSTALL\_DIR\sw\modules\hal\boards\boostxl-3PhGanInv\28x\2806x\src\hal.c*, as [Figure 9](#) shows:



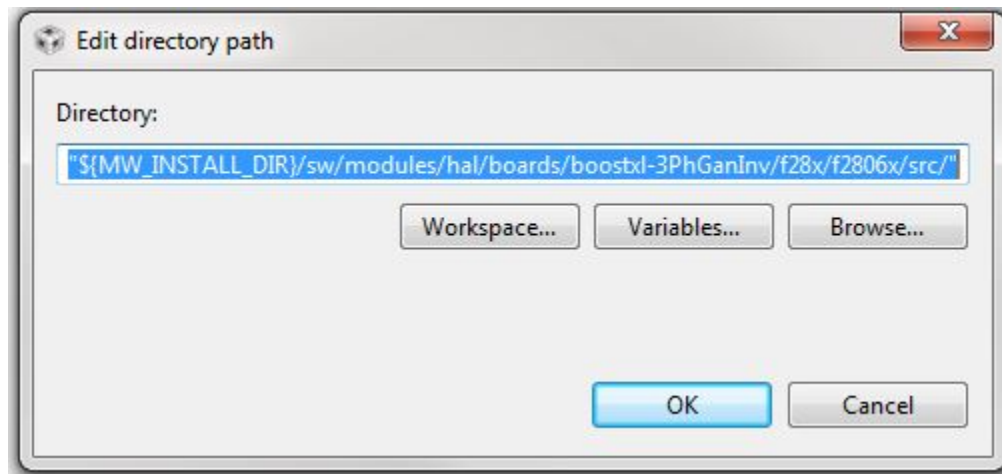
**Figure 9. Dialog Window for Step 5b**

- c. Click the *OK* button to close the dialog window.
- 6. In the CCS Project explorer, open the properties window of the *proj\_lab02* project.
  - a. In the *File* menu, navigate to **Build** → **C2000 Compiler** → **Include Options** to view the following options in [Figure 10](#):



**Figure 10. Dialog Window for Step 6a**

- b. Select the path highlighted `$(MW_INSTALL_DIR)` and change this to `$(MW_INSTALL_DIR)/sw/modules/hal/boards/boostxl-3PhGaNInv/f28x/f2806x/src/` as Figure 11 shows:



**Figure 11. Dialog Window for Step 6b**

- c. Click the *OK* button to close the properties window.

### 2.4.3 Compile and Run BOOSTXL-3PhGaNInv EVM Project Example

1. Compile the *proj\_lab02a* project and download to the TMS329F28069F target processor on the InstaSPIN-MOTION LaunchPad.
2. Open the document *instaspin\_labs.pdf* from:  
`C:\ti\motorware\motorware_1_01_00_18\docs\labs\instaspin_labs.pdf`.
3. Navigate to the *Lab 2a* - "Using InstaSPIN for the First Time out of ROM", follow the instructions to identify and run your specific motor.

The default motor defined in this sample project is the Teknic M-2310P-LN-04K. Corresponding files have been properly setup so no further file editing is necessary if the same motor is used. When using a different motor, please follow the setup procedure outlined in the *instaspin\_labs.pdf*. After the files are properly setup, follow the rest of the procedure to run the motor.

### 3 Schematic, Bill of Materials, and PCB Layout

#### 3.1 Schematics, Bill of Materials and PCB files

To download the schematics, BOM and other PCB files, please visit [BOOSTXL-3PhGaNInv EVM](#).

#### 3.2 PCB Layout Recommendations

For design theory and layout recommendations of the LMG5200 device, see the [TIDA-00909](#) design.

For design theory and layout recommendations of the INA240 device, see the [TIDA-00913](#) design.

### Revision History

NOTE: Page numbers for previous revisions may differ from page numbers in the current version.

Changes from Original (June 2017) to A Revision	Page
• Changed LM5018 to LM5017 in <a href="#">Figure 3</a> .....	4
• Changed LM5018 to LM5017 in the paragraph following <a href="#">Figure 3</a> .....	4

## STANDARD TERMS FOR EVALUATION MODULES

1. *Delivery:* TI delivers TI evaluation boards, kits, or modules, including any accompanying demonstration software, components, and/or documentation which may be provided together or separately (collectively, an "EVM" or "EVMs") to the User ("User") in accordance with the terms set forth herein. User's acceptance of the EVM is expressly subject to the following terms.
  - 1.1 EVMs are intended solely for product or software developers for use in a research and development setting to facilitate feasibility evaluation, experimentation, or scientific analysis of TI semiconductor products. EVMs have no direct function and are not finished products. EVMs shall not be directly or indirectly assembled as a part or subassembly in any finished product. For clarification, any software or software tools provided with the EVM ("Software") shall not be subject to the terms and conditions set forth herein but rather shall be subject to the applicable terms that accompany such Software
  - 1.2 EVMs are not intended for consumer or household use. EVMs may not be sold, sublicensed, leased, rented, loaned, assigned, or otherwise distributed for commercial purposes by Users, in whole or in part, or used in any finished product or production system.
2. *Limited Warranty and Related Remedies/Disclaimers:*
  - 2.1 These terms do not apply to Software. The warranty, if any, for Software is covered in the applicable Software License Agreement.
  - 2.2 TI warrants that the TI EVM will conform to TI's published specifications for ninety (90) days after the date TI delivers such EVM to User. Notwithstanding the foregoing, TI shall not be liable for a nonconforming EVM if (a) the nonconformity was caused by neglect, misuse or mistreatment by an entity other than TI, including improper installation or testing, or for any EVMs that have been altered or modified in any way by an entity other than TI, (b) the nonconformity resulted from User's design, specifications or instructions for such EVMs or improper system design, or (c) User has not paid on time. Testing and other quality control techniques are used to the extent TI deems necessary. TI does not test all parameters of each EVM. User's claims against TI under this Section 2 are void if User fails to notify TI of any apparent defects in the EVMs within ten (10) business days after delivery, or of any hidden defects with ten (10) business days after the defect has been detected.
  - 2.3 TI's sole liability shall be at its option to repair or replace EVMs that fail to conform to the warranty set forth above, or credit User's account for such EVM. TI's liability under this warranty shall be limited to EVMs that are returned during the warranty period to the address designated by TI and that are determined by TI not to conform to such warranty. If TI elects to repair or replace such EVM, TI shall have a reasonable time to repair such EVM or provide replacements. Repaired EVMs shall be warranted for the remainder of the original warranty period. Replaced EVMs shall be warranted for a new full ninety (90) day warranty period.
3. *Regulatory Notices:*
  - 3.1 *United States*
    - 3.1.1 *Notice applicable to EVMs not FCC-Approved:*

**FCC NOTICE:** This kit is designed to allow product developers to evaluate electronic components, circuitry, or software associated with the kit to determine whether to incorporate such items in a finished product and software developers to write software applications for use with the end product. This kit is not a finished product and when assembled may not be resold or otherwise marketed unless all required FCC equipment authorizations are first obtained. Operation is subject to the condition that this product not cause harmful interference to licensed radio stations and that this product accept harmful interference. Unless the assembled kit is designed to operate under part 15, part 18 or part 95 of this chapter, the operator of the kit must operate under the authority of an FCC license holder or must secure an experimental authorization under part 5 of this chapter.
    - 3.1.2 *For EVMs annotated as FCC – FEDERAL COMMUNICATIONS COMMISSION Part 15 Compliant:*

### CAUTION

This device complies with part 15 of the FCC Rules. Operation is subject to the following two conditions: (1) This device may not cause harmful interference, and (2) this device must accept any interference received, including interference that may cause undesired operation.

Changes or modifications not expressly approved by the party responsible for compliance could void the user's authority to operate the equipment.

### FCC Interference Statement for Class A EVM devices

*NOTE: This equipment has been tested and found to comply with the limits for a Class A digital device, pursuant to part 15 of the FCC Rules. These limits are designed to provide reasonable protection against harmful interference when the equipment is operated in a commercial environment. This equipment generates, uses, and can radiate radio frequency energy and, if not installed and used in accordance with the instruction manual, may cause harmful interference to radio communications. Operation of this equipment in a residential area is likely to cause harmful interference in which case the user will be required to correct the interference at his own expense.*

## FCC Interference Statement for Class B EVM devices

*NOTE: This equipment has been tested and found to comply with the limits for a Class B digital device, pursuant to part 15 of the FCC Rules. These limits are designed to provide reasonable protection against harmful interference in a residential installation. This equipment generates, uses and can radiate radio frequency energy and, if not installed and used in accordance with the instructions, may cause harmful interference to radio communications. However, there is no guarantee that interference will not occur in a particular installation. If this equipment does cause harmful interference to radio or television reception, which can be determined by turning the equipment off and on, the user is encouraged to try to correct the interference by one or more of the following measures:*

- Reorient or relocate the receiving antenna.
- Increase the separation between the equipment and receiver.
- Connect the equipment into an outlet on a circuit different from that to which the receiver is connected.
- Consult the dealer or an experienced radio/TV technician for help.

### 3.2 Canada

3.2.1 For EVMs issued with an Industry Canada Certificate of Conformance to RSS-210 or RSS-247

#### Concerning EVMs Including Radio Transmitters:

This device complies with Industry Canada license-exempt RSSs. Operation is subject to the following two conditions:

(1) this device may not cause interference, and (2) this device must accept any interference, including interference that may cause undesired operation of the device.

#### Concernant les EVMs avec appareils radio:

Le présent appareil est conforme aux CNR d'Industrie Canada applicables aux appareils radio exempts de licence. L'exploitation est autorisée aux deux conditions suivantes: (1) l'appareil ne doit pas produire de brouillage, et (2) l'utilisateur de l'appareil doit accepter tout brouillage radioélectrique subi, même si le brouillage est susceptible d'en compromettre le fonctionnement.

#### Concerning EVMs Including Detachable Antennas:

Under Industry Canada regulations, this radio transmitter may only operate using an antenna of a type and maximum (or lesser) gain approved for the transmitter by Industry Canada. To reduce potential radio interference to other users, the antenna type and its gain should be so chosen that the equivalent isotropically radiated power (e.i.r.p.) is not more than that necessary for successful communication. This radio transmitter has been approved by Industry Canada to operate with the antenna types listed in the user guide with the maximum permissible gain and required antenna impedance for each antenna type indicated. Antenna types not included in this list, having a gain greater than the maximum gain indicated for that type, are strictly prohibited for use with this device.

#### Concernant les EVMs avec antennes détachables

Conformément à la réglementation d'Industrie Canada, le présent émetteur radio peut fonctionner avec une antenne d'un type et d'un gain maximal (ou inférieur) approuvé pour l'émetteur par Industrie Canada. Dans le but de réduire les risques de brouillage radioélectrique à l'intention des autres utilisateurs, il faut choisir le type d'antenne et son gain de sorte que la puissance isotrope rayonnée équivalente (p.i.r.e.) ne dépasse pas l'intensité nécessaire à l'établissement d'une communication satisfaisante. Le présent émetteur radio a été approuvé par Industrie Canada pour fonctionner avec les types d'antenne énumérés dans le manuel d'usage et ayant un gain admissible maximal et l'impédance requise pour chaque type d'antenne. Les types d'antenne non inclus dans cette liste, ou dont le gain est supérieur au gain maximal indiqué, sont strictement interdits pour l'exploitation de l'émetteur.

### 3.3 Japan

3.3.1 *Notice for EVMs delivered in Japan:* Please see [http://www.tij.co.jp/lstds/ti\\_ja/general/eStore/notice\\_01.page](http://www.tij.co.jp/lstds/ti_ja/general/eStore/notice_01.page) 日本国内に輸入される評価用キット、ボードについては、次のところをご覧ください。  
[http://www.tij.co.jp/lstds/ti\\_ja/general/eStore/notice\\_01.page](http://www.tij.co.jp/lstds/ti_ja/general/eStore/notice_01.page)

3.3.2 *Notice for Users of EVMs Considered "Radio Frequency Products" in Japan:* EVMs entering Japan may not be certified by TI as conforming to Technical Regulations of Radio Law of Japan.

If User uses EVMs in Japan, not certified to Technical Regulations of Radio Law of Japan, User is required to follow the instructions set forth by Radio Law of Japan, which includes, but is not limited to, the instructions below with respect to EVMs (which for the avoidance of doubt are stated strictly for convenience and should be verified by User):

1. Use EVMs in a shielded room or any other test facility as defined in the notification #173 issued by Ministry of Internal Affairs and Communications on March 28, 2006, based on Sub-section 1.1 of Article 6 of the Ministry's Rule for Enforcement of Radio Law of Japan,
2. Use EVMs only after User obtains the license of Test Radio Station as provided in Radio Law of Japan with respect to EVMs, or
3. Use of EVMs only after User obtains the Technical Regulations Conformity Certification as provided in Radio Law of Japan with respect to EVMs. Also, do not transfer EVMs, unless User gives the same notice above to the transferee. Please note that if User does not follow the instructions above, User will be subject to penalties of Radio Law of Japan.



【無線電波を送信する製品の開発キットをお使いになる際の注意事項】 開発キットの中には技術基準適合証明を受けていないものがあります。技術適合証明を受けていないものご使用に際しては、電波法遵守のため、以下のいずれかの措置を取っていただく必要がありますのでご注意ください。

1. 電波法施行規則第6条第1項第1号に基づく平成18年3月28日総務省告示第173号で定められた電波暗室等の試験設備でご使用いただく。
2. 実験局の免許を取得後ご使用いただく。
3. 技術基準適合証明を取得後ご使用いただく。

なお、本製品は、上記の「ご使用にあたっての注意」を譲渡先、移転先に通知しない限り、譲渡、移転できないものとします。

上記を遵守頂けない場合は、電波法の罰則が適用される可能性があることをご留意ください。日本テキサス・インスツルメンツ株式会社  
東京都新宿区西新宿 6 丁目 2 4 番 1 号  
西新宿三井ビル

3.3.3 *Notice for EVMs for Power Line Communication:* Please see [http://www.tij.co.jp/lstds/ti\\_ja/general/eStore/notice\\_02.page](http://www.tij.co.jp/lstds/ti_ja/general/eStore/notice_02.page)  
電力線搬送波通信についての開発キットをお使いになる際の注意事項については、次のところをご覧ください。 [http://www.tij.co.jp/lstds/ti\\_ja/general/eStore/notice\\_02.page](http://www.tij.co.jp/lstds/ti_ja/general/eStore/notice_02.page)

#### 3.4 *European Union*

##### 3.4.1 *For EVMs subject to EU Directive 2014/30/EU (Electromagnetic Compatibility Directive):*

This is a class A product intended for use in environments other than domestic environments that are connected to a low-voltage power-supply network that supplies buildings used for domestic purposes. In a domestic environment this product may cause radio interference in which case the user may be required to take adequate measures.

#### 4 *EVM Use Restrictions and Warnings:*

4.1 EVMS ARE NOT FOR USE IN FUNCTIONAL SAFETY AND/OR SAFETY CRITICAL EVALUATIONS, INCLUDING BUT NOT LIMITED TO EVALUATIONS OF LIFE SUPPORT APPLICATIONS.

4.2 User must read and apply the user guide and other available documentation provided by TI regarding the EVM prior to handling or using the EVM, including without limitation any warning or restriction notices. The notices contain important safety information related to, for example, temperatures and voltages.

##### 4.3 *Safety-Related Warnings and Restrictions:*

4.3.1 User shall operate the EVM within TI's recommended specifications and environmental considerations stated in the user guide, other available documentation provided by TI, and any other applicable requirements and employ reasonable and customary safeguards. Exceeding the specified performance ratings and specifications (including but not limited to input and output voltage, current, power, and environmental ranges) for the EVM may cause personal injury or death, or property damage. If there are questions concerning performance ratings and specifications, User should contact a TI field representative prior to connecting interface electronics including input power and intended loads. Any loads applied outside of the specified output range may also result in unintended and/or inaccurate operation and/or possible permanent damage to the EVM and/or interface electronics. Please consult the EVM user guide prior to connecting any load to the EVM output. If there is uncertainty as to the load specification, please contact a TI field representative. During normal operation, even with the inputs and outputs kept within the specified allowable ranges, some circuit components may have elevated case temperatures. These components include but are not limited to linear regulators, switching transistors, pass transistors, current sense resistors, and heat sinks, which can be identified using the information in the associated documentation. When working with the EVM, please be aware that the EVM may become very warm.

4.3.2 EVMs are intended solely for use by technically qualified, professional electronics experts who are familiar with the dangers and application risks associated with handling electrical mechanical components, systems, and subsystems. User assumes all responsibility and liability for proper and safe handling and use of the EVM by User or its employees, affiliates, contractors or designees. User assumes all responsibility and liability to ensure that any interfaces (electronic and/or mechanical) between the EVM and any human body are designed with suitable isolation and means to safely limit accessible leakage currents to minimize the risk of electrical shock hazard. User assumes all responsibility and liability for any improper or unsafe handling or use of the EVM by User or its employees, affiliates, contractors or designees.

4.4 User assumes all responsibility and liability to determine whether the EVM is subject to any applicable international, federal, state, or local laws and regulations related to User's handling and use of the EVM and, if applicable, User assumes all responsibility and liability for compliance in all respects with such laws and regulations. User assumes all responsibility and liability for proper disposal and recycling of the EVM consistent with all applicable international, federal, state, and local requirements.

5. *Accuracy of Information:* To the extent TI provides information on the availability and function of EVMs, TI attempts to be as accurate as possible. However, TI does not warrant the accuracy of EVM descriptions, EVM availability or other information on its websites as accurate, complete, reliable, current, or error-free.

6. *Disclaimers:*
- 6.1 EXCEPT AS SET FORTH ABOVE, EVMS AND ANY MATERIALS PROVIDED WITH THE EVM (INCLUDING, BUT NOT LIMITED TO, REFERENCE DESIGNS AND THE DESIGN OF THE EVM ITSELF) ARE PROVIDED "AS IS" AND "WITH ALL FAULTS." TI DISCLAIMS ALL OTHER WARRANTIES, EXPRESS OR IMPLIED, REGARDING SUCH ITEMS, INCLUDING BUT NOT LIMITED TO ANY EPIDEMIC FAILURE WARRANTY OR IMPLIED WARRANTIES OF MERCHANTABILITY OR FITNESS FOR A PARTICULAR PURPOSE OR NON-INFRINGEMENT OF ANY THIRD PARTY PATENTS, COPYRIGHTS, TRADE SECRETS OR OTHER INTELLECTUAL PROPERTY RIGHTS.
- 6.2 EXCEPT FOR THE LIMITED RIGHT TO USE THE EVM SET FORTH HEREIN, NOTHING IN THESE TERMS SHALL BE CONSTRUED AS GRANTING OR CONFERRING ANY RIGHTS BY LICENSE, PATENT, OR ANY OTHER INDUSTRIAL OR INTELLECTUAL PROPERTY RIGHT OF TI, ITS SUPPLIERS/LICENSORS OR ANY OTHER THIRD PARTY, TO USE THE EVM IN ANY FINISHED END-USER OR READY-TO-USE FINAL PRODUCT, OR FOR ANY INVENTION, DISCOVERY OR IMPROVEMENT, REGARDLESS OF WHEN MADE, CONCEIVED OR ACQUIRED.
7. *USER'S INDEMNITY OBLIGATIONS AND REPRESENTATIONS.* USER WILL DEFEND, INDEMNIFY AND HOLD TI, ITS LICENSORS AND THEIR REPRESENTATIVES HARMLESS FROM AND AGAINST ANY AND ALL CLAIMS, DAMAGES, LOSSES, EXPENSES, COSTS AND LIABILITIES (COLLECTIVELY, "CLAIMS") ARISING OUT OF OR IN CONNECTION WITH ANY HANDLING OR USE OF THE EVM THAT IS NOT IN ACCORDANCE WITH THESE TERMS. THIS OBLIGATION SHALL APPLY WHETHER CLAIMS ARISE UNDER STATUTE, REGULATION, OR THE LAW OF TORT, CONTRACT OR ANY OTHER LEGAL THEORY, AND EVEN IF THE EVM FAILS TO PERFORM AS DESCRIBED OR EXPECTED.
8. *Limitations on Damages and Liability:*
- 8.1 *General Limitations.* IN NO EVENT SHALL TI BE LIABLE FOR ANY SPECIAL, COLLATERAL, INDIRECT, PUNITIVE, INCIDENTAL, CONSEQUENTIAL, OR EXEMPLARY DAMAGES IN CONNECTION WITH OR ARISING OUT OF THESE TERMS OR THE USE OF THE EVMS , REGARDLESS OF WHETHER TI HAS BEEN ADVISED OF THE POSSIBILITY OF SUCH DAMAGES. EXCLUDED DAMAGES INCLUDE, BUT ARE NOT LIMITED TO, COST OF REMOVAL OR REINSTALLATION, ANCILLARY COSTS TO THE PROCUREMENT OF SUBSTITUTE GOODS OR SERVICES, RETESTING, OUTSIDE COMPUTER TIME, LABOR COSTS, LOSS OF GOODWILL, LOSS OF PROFITS, LOSS OF SAVINGS, LOSS OF USE, LOSS OF DATA, OR BUSINESS INTERRUPTION. NO CLAIM, SUIT OR ACTION SHALL BE BROUGHT AGAINST TI MORE THAN TWELVE (12) MONTHS AFTER THE EVENT THAT GAVE RISE TO THE CAUSE OF ACTION HAS OCCURRED.
- 8.2 *Specific Limitations.* IN NO EVENT SHALL TI'S AGGREGATE LIABILITY FROM ANY USE OF AN EVM PROVIDED HEREUNDER, INCLUDING FROM ANY WARRANTY, INDEMNITY OR OTHER OBLIGATION ARISING OUT OF OR IN CONNECTION WITH THESE TERMS, , EXCEED THE TOTAL AMOUNT PAID TO TI BY USER FOR THE PARTICULAR EVM(S) AT ISSUE DURING THE PRIOR TWELVE (12) MONTHS WITH RESPECT TO WHICH LOSSES OR DAMAGES ARE CLAIMED. THE EXISTENCE OF MORE THAN ONE CLAIM SHALL NOT ENLARGE OR EXTEND THIS LIMIT.
9. *Return Policy.* Except as otherwise provided, TI does not offer any refunds, returns, or exchanges. Furthermore, no return of EVM(s) will be accepted if the package has been opened and no return of the EVM(s) will be accepted if they are damaged or otherwise not in a resalable condition. If User feels it has been incorrectly charged for the EVM(s) it ordered or that delivery violates the applicable order, User should contact TI. All refunds will be made in full within thirty (30) working days from the return of the components(s), excluding any postage or packaging costs.
10. *Governing Law:* These terms and conditions shall be governed by and interpreted in accordance with the laws of the State of Texas, without reference to conflict-of-laws principles. User agrees that non-exclusive jurisdiction for any dispute arising out of or relating to these terms and conditions lies within courts located in the State of Texas and consents to venue in Dallas County, Texas. Notwithstanding the foregoing, any judgment may be enforced in any United States or foreign court, and TI may seek injunctive relief in any United States or foreign court.

## IMPORTANT NOTICE FOR TI DESIGN INFORMATION AND RESOURCES

Texas Instruments Incorporated ("TI") technical, application or other design advice, services or information, including, but not limited to, reference designs and materials relating to evaluation modules, (collectively, "TI Resources") are intended to assist designers who are developing applications that incorporate TI products; by downloading, accessing or using any particular TI Resource in any way, you (individually or, if you are acting on behalf of a company, your company) agree to use it solely for this purpose and subject to the terms of this Notice.

TI's provision of TI Resources does not expand or otherwise alter TI's applicable published warranties or warranty disclaimers for TI products, and no additional obligations or liabilities arise from TI providing such TI Resources. TI reserves the right to make corrections, enhancements, improvements and other changes to its TI Resources.

You understand and agree that you remain responsible for using your independent analysis, evaluation and judgment in designing your applications and that you have full and exclusive responsibility to assure the safety of your applications and compliance of your applications (and of all TI products used in or for your applications) with all applicable regulations, laws and other applicable requirements. You represent that, with respect to your applications, you have all the necessary expertise to create and implement safeguards that (1) anticipate dangerous consequences of failures, (2) monitor failures and their consequences, and (3) lessen the likelihood of failures that might cause harm and take appropriate actions. You agree that prior to using or distributing any applications that include TI products, you will thoroughly test such applications and the functionality of such TI products as used in such applications. TI has not conducted any testing other than that specifically described in the published documentation for a particular TI Resource.

You are authorized to use, copy and modify any individual TI Resource only in connection with the development of applications that include the TI product(s) identified in such TI Resource. NO OTHER LICENSE, EXPRESS OR IMPLIED, BY ESTOPPEL OR OTHERWISE TO ANY OTHER TI INTELLECTUAL PROPERTY RIGHT, AND NO LICENSE TO ANY TECHNOLOGY OR INTELLECTUAL PROPERTY RIGHT OF TI OR ANY THIRD PARTY IS GRANTED HEREIN, including but not limited to any patent right, copyright, mask work right, or other intellectual property right relating to any combination, machine, or process in which TI products or services are used. Information regarding or referencing third-party products or services does not constitute a license to use such products or services, or a warranty or endorsement thereof. Use of TI Resources may require a license from a third party under the patents or other intellectual property of the third party, or a license from TI under the patents or other intellectual property of TI.

TI RESOURCES ARE PROVIDED "AS IS" AND WITH ALL FAULTS. TI DISCLAIMS ALL OTHER WARRANTIES OR REPRESENTATIONS, EXPRESS OR IMPLIED, REGARDING TI RESOURCES OR USE THEREOF, INCLUDING BUT NOT LIMITED TO ACCURACY OR COMPLETENESS, TITLE, ANY EPIDEMIC FAILURE WARRANTY AND ANY IMPLIED WARRANTIES OF MERCHANTABILITY, FITNESS FOR A PARTICULAR PURPOSE, AND NON-INFRINGEMENT OF ANY THIRD PARTY INTELLECTUAL PROPERTY RIGHTS.

TI SHALL NOT BE LIABLE FOR AND SHALL NOT DEFEND OR INDEMNIFY YOU AGAINST ANY CLAIM, INCLUDING BUT NOT LIMITED TO ANY INFRINGEMENT CLAIM THAT RELATES TO OR IS BASED ON ANY COMBINATION OF PRODUCTS EVEN IF DESCRIBED IN TI RESOURCES OR OTHERWISE. IN NO EVENT SHALL TI BE LIABLE FOR ANY ACTUAL, DIRECT, SPECIAL, COLLATERAL, INDIRECT, PUNITIVE, INCIDENTAL, CONSEQUENTIAL OR EXEMPLARY DAMAGES IN CONNECTION WITH OR ARISING OUT OF TI RESOURCES OR USE THEREOF, AND REGARDLESS OF WHETHER TI HAS BEEN ADVISED OF THE POSSIBILITY OF SUCH DAMAGES.

You agree to fully indemnify TI and its representatives against any damages, costs, losses, and/or liabilities arising out of your non-compliance with the terms and provisions of this Notice.

This Notice applies to TI Resources. Additional terms apply to the use and purchase of certain types of materials, TI products and services. These include; without limitation, TI's standard terms for semiconductor products (<http://www.ti.com/sc/docs/stdterms.htm>), [evaluation modules](#), and [samples](http://www.ti.com/sc/docs/sampterm.htm) (<http://www.ti.com/sc/docs/sampterm.htm>).

Mailing Address: Texas Instruments, Post Office Box 655303, Dallas, Texas 75265  
Copyright © 2018, Texas Instruments Incorporated