

## Description

The AP3445 and AP3445L is a 2A step-down DC-DC converter. At heavy load, the constant-frequency PWM control performs excellent stability and transient response. No external compensation components are required.

The AP3445/L supports a range of input voltages from 2.7V to 5.5V allowing the use of a single Li+/Li-polymer cell, multiple Alkaline/NiMH cell, and other standard power sources. The output voltage is adjustable from 0.6V to the input voltage. The AP3445/L employs internal power switch and synchronous rectifier to minimize external part count and realize high efficiency. During shutdown, the input is disconnected from the output and the shutdown current is less than 1 $\mu$ A. Other key features include over-temperature and short circuit protection, and under-voltage lockout to prevent deep battery discharge.

The AP3445/L delivers 2A maximum output current while consuming only 55 $\mu$ A of no-load quiescent current. Ultra-low  $R_{DS(ON)}$  integrated MOSFETs and 100% duty cycle operation make the AP3445/L an ideal choice for high output voltage, high current applications which require a low dropout threshold. Pulse skip mode to maintain high efficiency at light-load conditions.

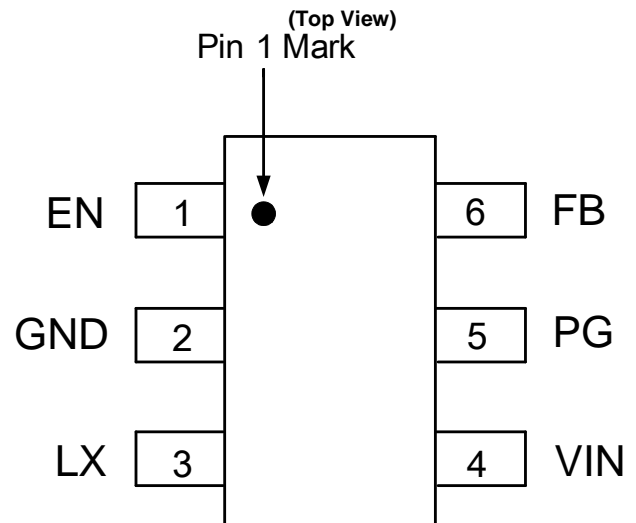
The AP3445/L is available in SOT26 (SC74R) package.

## Features

- Input Voltage: 2.7V to 5.5V
- Output Voltage: 0.6V to  $V_{IN}$
- 0.6V Reference Voltage with  $\pm 1.5\%$  Precision
- 55 $\mu$ A (Typ) No Load Quiescent Current
- Shutdown Current:  $< 1\mu$ A
- 100% Duty Cycle Operation
- 1MHz Switching Frequency
- No External Compensation Required
- Short Circuit Protection
  - AP3445L: Latch Off Protection
  - AP3445: Hiccup Mode Protection
- Over Voltage Protection
  - AP3445L: Latch Off Protection
  - AP3445: Non Latch Off Protection
- Thermal Shutdown
- SOT26 (SC74R) Package
- **Totally Lead-Free & Fully RoHS Compliant (Notes 1 & 2)**
- **Halogen and Antimony Free. "Green" Device (Note 3)**

Notes: 1. No purposely added lead. Fully EU Directive 2002/95/EC (RoHS), 2011/65/EU (RoHS 2) & 2015/863/EU (RoHS 3) compliant.  
 2. See <https://www.diodes.com/quality/lead-free/> for more information about Diodes Incorporated's definitions of Halogen- and Antimony-free, "Green" and Lead-free.  
 3. Halogen- and Antimony-free "Green" products are defined as those which contain  $< 900\text{ppm}$  bromine,  $< 900\text{ppm}$  chlorine ( $< 1500\text{ppm}$  total Br + Cl) and  $< 1000\text{ppm}$  antimony compounds.

## Pin Assignments

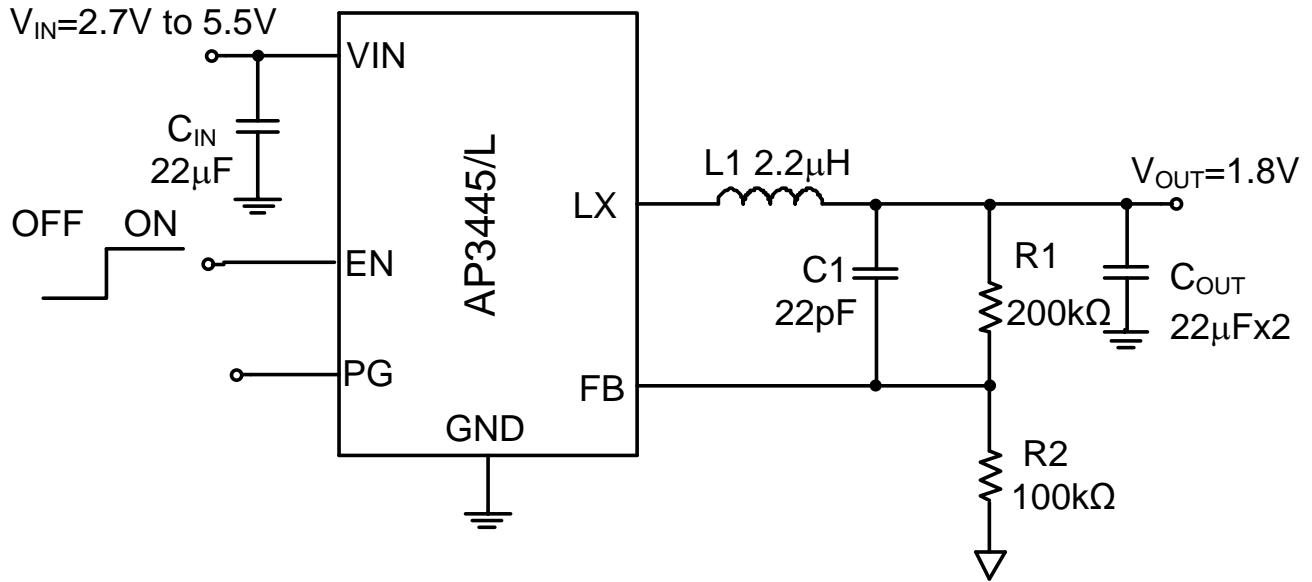


SOT26 (SC74R)

## Applications

- Post DC-DC Voltage Regulation
- Set Top Boxes
- Notebook Computer
- PAD

**Typical Applications Circuit**

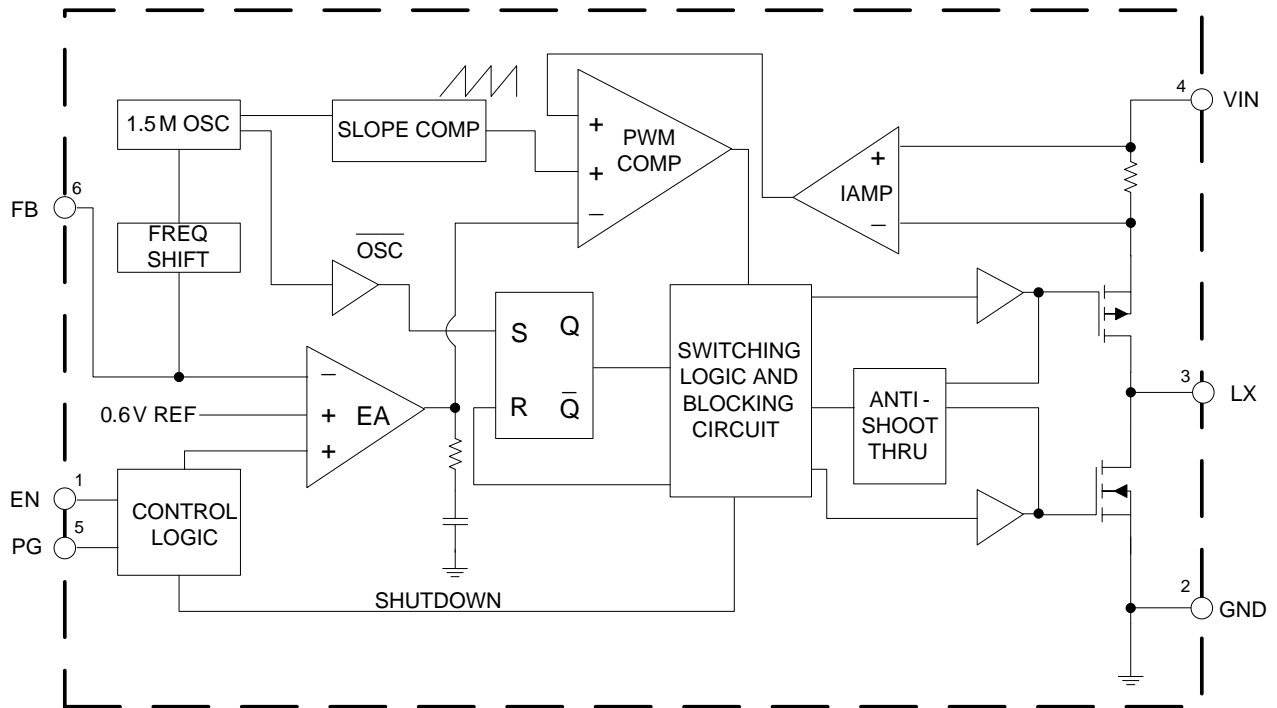


**Pin Descriptions**

Pin Number	Pin Name	Function
1	EN	Enable control input. Force this pin voltage above 1.5V enables the chip, and below 0.4V shuts down the device.
2	GND	Ground pin
3	LX	The drains of the internal main and synchronous power MOSFET.
4	VIN	Bias supply. Chip main power supply pin
5	PG	Power good indicator, open drain output. PG is pulled up to VIN when the output voltage is within 20% of the regulation level, otherwise it is low
6	FB	Feedback voltage to internal error amplifier, the threshold voltage is 0.6V.

NEW PRODUCT

**Functional Block Diagram**



Functional Block Diagram of AP3445/L

NEW PRODUCT

### Absolute Maximum Ratings (Note 4)

Symbol	Parameter	Rating	Unit
$V_{IN}$	Input Voltage	-0.3 to 6	V
$V_{EN}$	EN Pin Voltage	-0.3 to $V_{IN}+0.3$	V
$V_{FB}$	FB Pin Voltage	-0.3 to $V_{IN}+0.3$	V
$V_{LX}$	LX Pin Voltage	-0.3 to $V_{IN}+0.3$	V
$V_{LX}$	LX Pin Voltage	-3 to $V_{IN}+3$ for <20ns	V
$V_{FB}$	Feedback Pin Voltage	-0.3 to $V_{IN}+0.3$	V
$P_D$	Power Dissipation (On PCB, $T_A = +25^\circ\text{C}$ )	0.588	W
$\theta_{JA}$	Thermal Resistance (Junction to Ambient)	170	$^\circ\text{C/W}$
$\theta_{JC}$	Thermal Resistance (Junction to Case, Simulation)	130	$^\circ\text{C/W}$
$T_J$	Operating Junction Temperature	+150	$^\circ\text{C}$
$T_{STG}$	Storage Temperature	-55 to +150	$^\circ\text{C}$
$V_{HBM}$	ESD (Human Body Model, JESD22-A114)	2000	V
$V_{CDM}$	ESD (Charge Device Mode, JESD22-C101)	1000	V

Note: 4. Stresses greater than those listed under "Absolute Maximum Ratings" may cause permanent damage to the device. These are stress ratings only, and functional operation of the device at these or any other conditions beyond those indicated under "Recommended Operating Conditions" is not implied. Exposure to "Absolute Maximum Ratings" for extended periods may affect device reliability.

### Recommended Operating Conditions

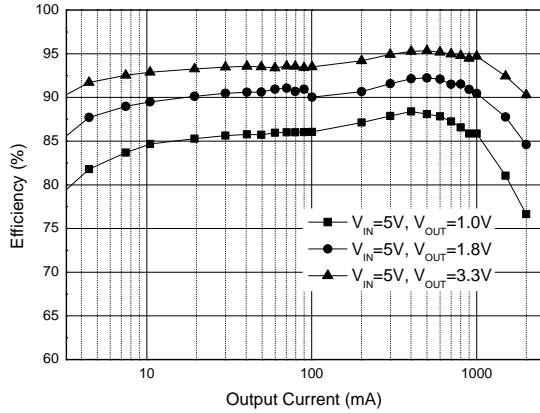
Symbol	Parameter	Min	Max	Unit
$V_{IN}$	Supply Voltage	2.7	5.5	V
$T_J$	Junction Temperature Range	-40	+125	$^\circ\text{C}$
$T_A$	Operating Ambient Temperature	-40	+85	$^\circ\text{C}$

**Electrical Characteristics** (@T<sub>A</sub> = +25°C, V<sub>IN</sub> = 5.0V, V<sub>OUT</sub> = 2.5V, C<sub>OUT</sub> = 22μF\*2, L = 2.2μH, unless otherwise specified.)

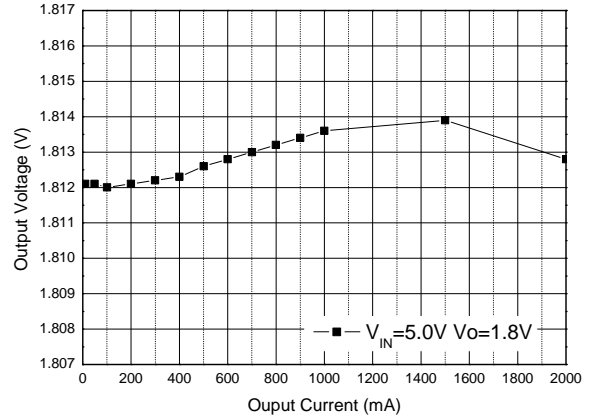
Symbol	Parameters	Conditions	Min	Typ	Max	Unit
<b>VIN</b>						
V <sub>IN</sub>	Input Voltage Range	–	2.7	–	5.5	V
V <sub>OUT</sub>	Output Voltage Range	–	0.6	–	V <sub>IN</sub>	V
I <sub>Q</sub>	Quiescent Current	V <sub>FB</sub> = 0.65V	–	55	–	μA
I <sub>SD</sub>	Shutdown Current	V <sub>EN</sub> = 0V	–	0.1	1	μA
V <sub>UVLO</sub>	Input UVLO Threshold	V <sub>IN</sub> Rises	–	2.4	2.5	V
V <sub>HYS</sub>	Input UVLO Hysteresis	V <sub>IN</sub> Falls	–	0.2	–	V
<b>Feedback Input</b>						
V <sub>FB</sub>	Regulated Feedback Voltage	–	0.591	0.6	0.609	V
I <sub>FB</sub>	FB Leakage Current	V <sub>FB</sub> = 1V	–	–	0.2	μA
I <sub>LIM</sub>	Peak Inductor Current	–	2.5	–	–	A
<b>Oscillator</b>						
f <sub>OSC</sub>	Oscillator Frequency	–	0.8	1	1.2	MHz
D <sub>MAX</sub>	Maximum Duty Cycle	–	100	–	–	%
<b>MOSFET</b>						
R <sub>DS(ON)</sub>	Drain-Source On-State Resistance	I <sub>LX</sub> = 100mA High Side	–	100	–	mΩ
		I <sub>LX</sub> = 100mA Low Side	–	60	–	mΩ
R <sub>DISCH</sub>	Output Discharge Switch On Resistor	–	–	50	–	Ω
<b>EN Pin</b>						
V <sub>ENH</sub>	EN Threshold High	–	1.5	–	–	V
V <sub>ENL</sub>	EN Threshold Low	–	–	–	0.4	V
I <sub>EN</sub>	EN Leakage Current	V <sub>IN</sub> = V <sub>EN</sub> = 5V	-1.0	–	1.0	μA
<b>Protection</b>						
V <sub>SCP</sub>	Short Circuit Protection Latch Off Threshold	AP3445L only	–	0.42	–	V
T <sub>DELAY_SCP</sub>	Short Circuit Protection Delay Time	–	–	30	–	μs
T <sub>OTP</sub>	Over Temperature Protection	–	–	+150	–	°C
T <sub>DTH</sub>	OTP Hysteresis	–	–	+20	–	°C
V <sub>OV</sub>	V <sub>OUT</sub> Over Voltage Protection	AP3445L only	–	0.72	–	V
V <sub>IOVP</sub>	V <sub>IN</sub> Over Voltage Protection	V <sub>IN</sub> Rises	–	6.3	–	V
V <sub>IHSY</sub>	IOVP Hysteresis	V <sub>IN</sub> Falls	–	0.35	–	V
<b>Soft Start</b>						
t <sub>SS</sub>	Soft-start Time	–	0.7	1.0	1.3	ms

**Performance Characteristics** (@ $T_A = +25^\circ\text{C}$ ,  $V_{IN} = 5\text{V}$ ,  $V_{OUT} = 1.8\text{V}$ , unless otherwise specified.)

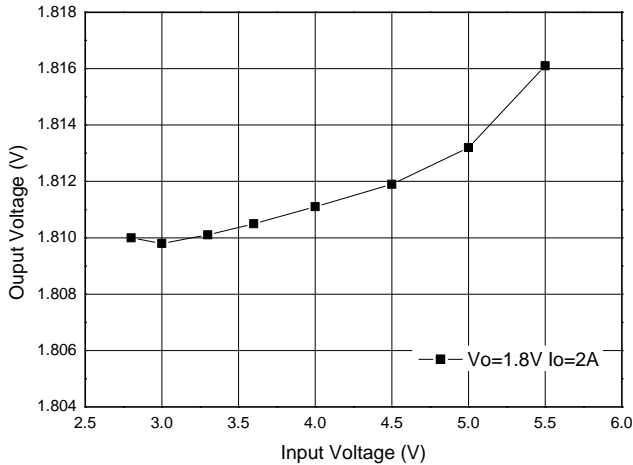
**Efficiency vs. Load Current**



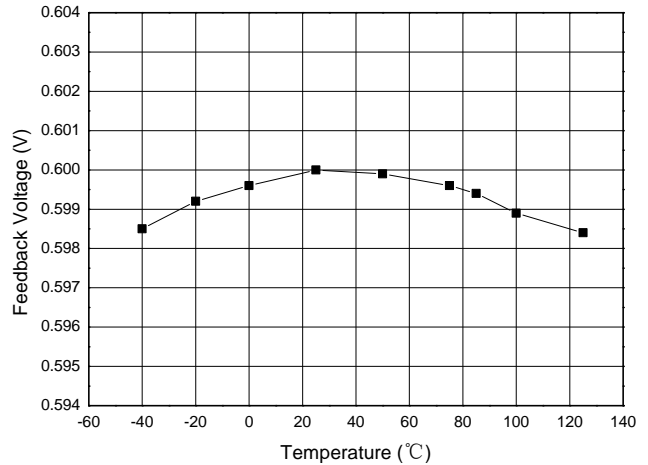
**Output Voltage vs. Output Current**



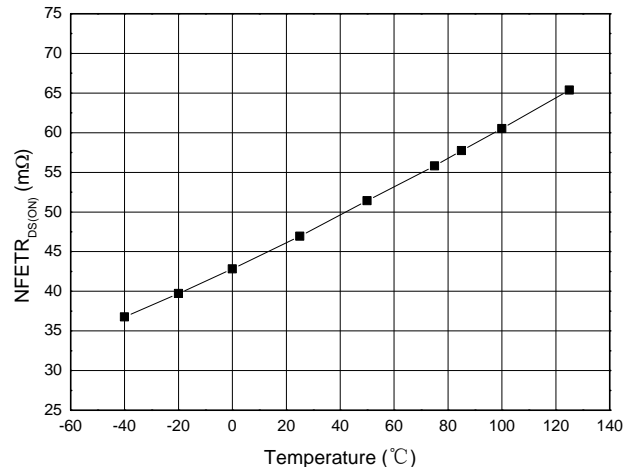
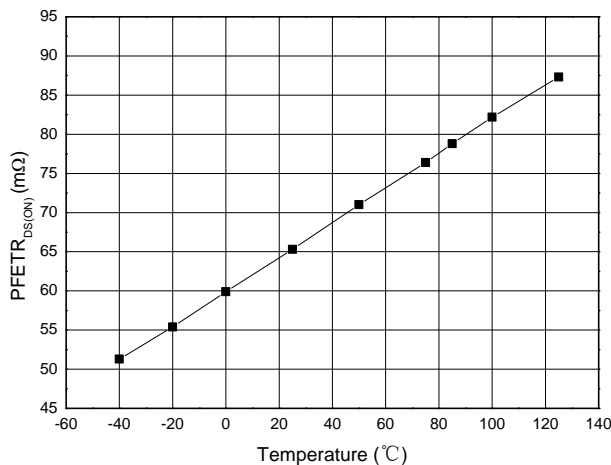
**Output Voltage vs. Input Voltage**



**Feedback Reference Voltage vs. Temperature**

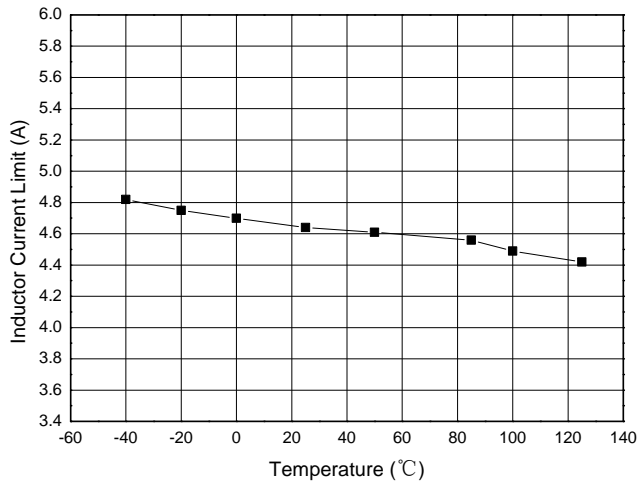


**PFET Drain-Source On-State Resistance vs. Temperature**    **NFET Drain-Source On-State Resistance vs. Temperature**

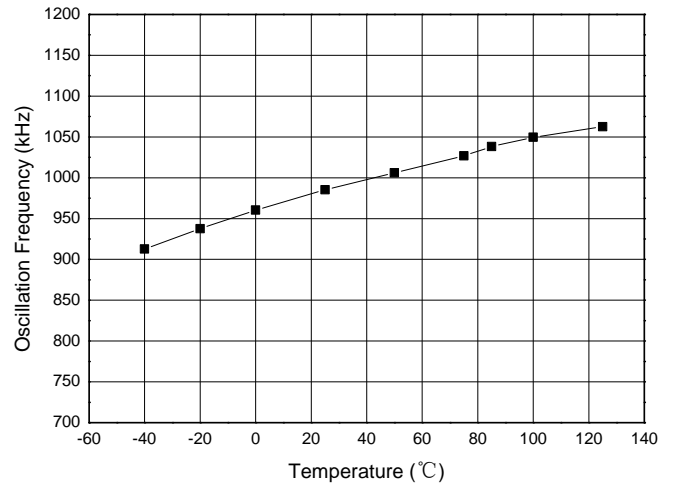


**Performance Characteristics** (@ $T_A = +25^\circ\text{C}$ ,  $V_{IN} = 5\text{V}$ ,  $V_{OUT} = 1.8\text{V}$ , unless otherwise specified.)

**Inductor Current Limit vs. Temperature**



**Oscillation Frequency vs. Temperature**

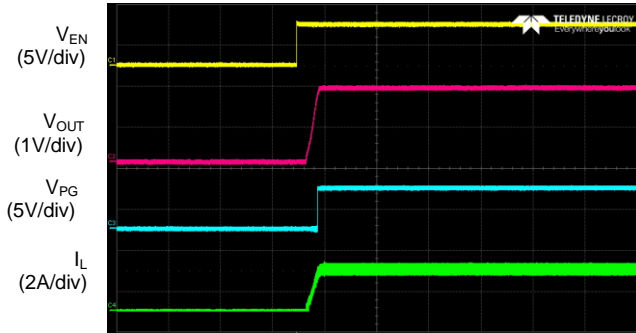


NEW PRODUCT

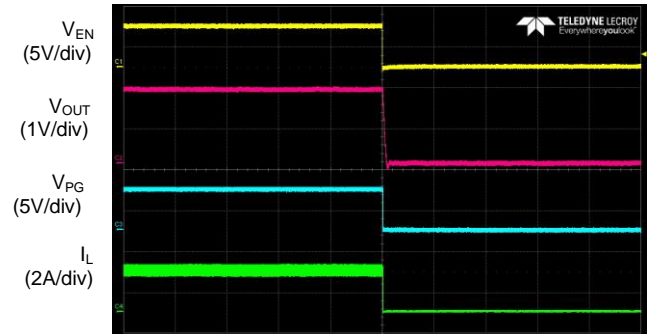
**Performance Characteristics** (@ $T_A = +25^\circ\text{C}$ ,  $V_{IN} = 5\text{V}$ ,  $V_{OUT} = 1.8\text{V}$ , unless otherwise specified.)

NEW PRODUCT

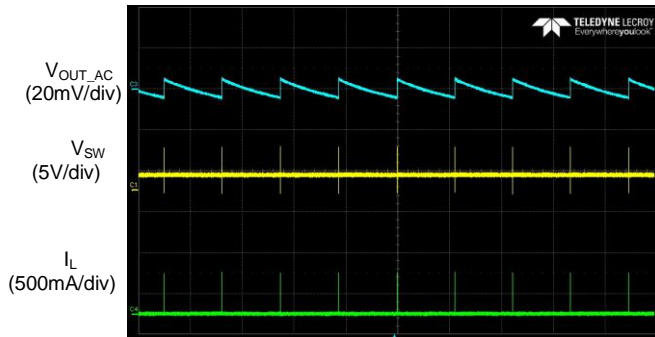
**Enable Turn on Characteristic ( $I_{OUT}=2\text{A}$ )**



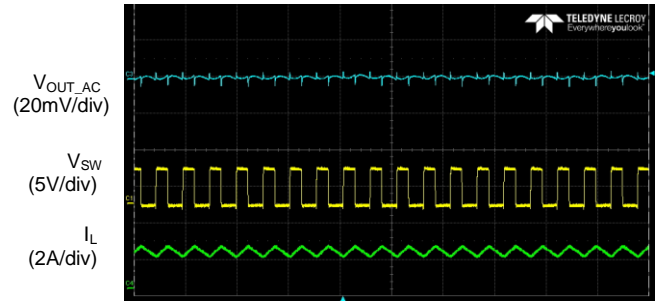
**Enable Turn off Characteristic ( $I_{OUT}=2\text{A}$ )**



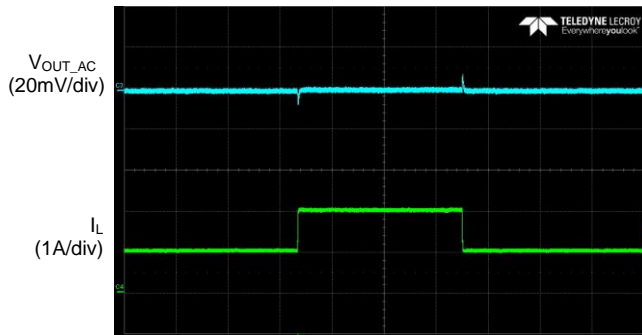
**Output Ripple ( $I_{OUT}=0\text{A}$ )**



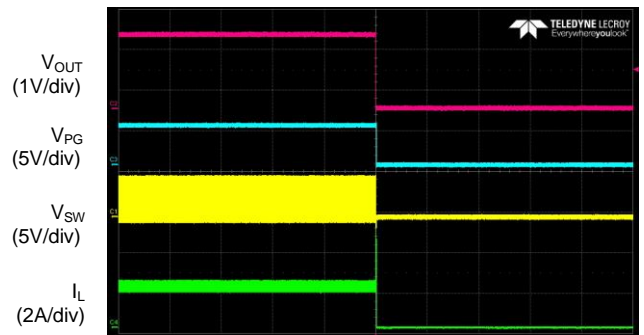
**Output Ripple ( $I_{OUT}=2\text{A}$ )**



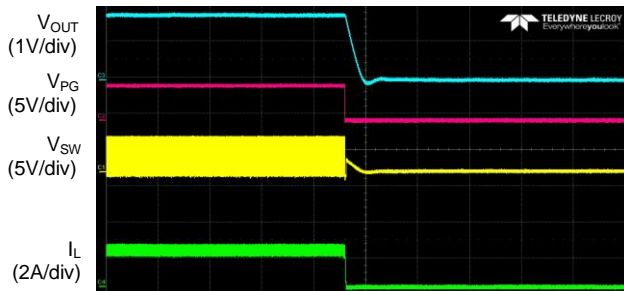
**Load Transient ( $I_{OUT}=1\text{A}$  to  $2\text{A}$ )**



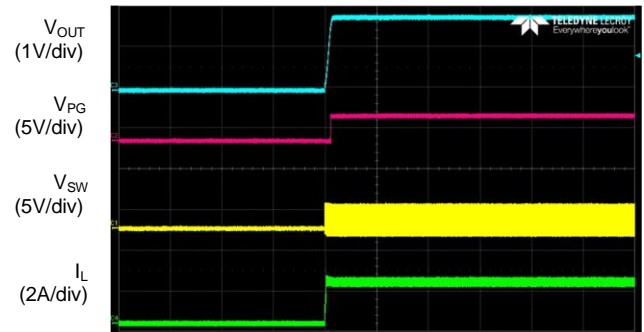
**Short Current Protection ( $I_{OUT}=2\text{A}$ ) for AP3445L**



**Over Temperature Protection**



**Over Temperature Recovery**





## Application Information

The AP3445/L is a 2A current mode control, synchronous buck regulator with integrated power MOSFETs. Current mode control assures excellent line regulation, load regulation, and a wide loop bandwidth for fast response to load transients. See the typical application schematic and functional block diagram of AP3445/L for more details. The buck controller drives the internal high side P-FETs. The buck regulator can operate from an unregulated DC source, such as a battery, with a voltage ranging from 2.7V to 5.5V. The converter output can be regulated as low as 0.6V to as high as  $V_{IN}$ . The feedback loop is compensated internally.

### Under Voltage Lockout (UVLO) Circuit

When the  $V_{IN}$  drops lower than the UVLO detector threshold, the UVLO circuit starts to operate,  $V_{REF}$  stops, and high-side switch and low-side switch built-in switch transistors turn "OFF". As a result,  $V_{OUT}$  drops according to the  $C_{OUT}$  capacitance value and the load. When the  $V_{IN}$  is rising higher than UVLO released voltage, the IC will restart the operation.

### Short Circuit Protection and Recovery

When the AP3445/L output node is shorted to GND that  $V_{FB}$  drops under 0.42V, AP3445 will enter hiccup mode to protect itself and AP3445L will enter latch-off mode. If short condition is removed, and  $V_{FB}$  rises over 0.42V, the AP3445 recovers to normal operation again And AP3445L will remain in this state until  $V_{IN}$  or EN voltage is recycled.. If the AP3445/L reaches OCP threshold while short circuit, the AP3445 will enter cycle by cycle current limit mode until the current under OCP threshold.

### Over Voltage Protection (AP3445L only)

The AP3445L has internal output OVP circuits. When  $V_{OUT}$  is exceeds 120% of the regulation level for more than 40 $\mu$ s, the power switches will be turned off. AP3445L enters latch off mode and will restart until  $V_{IN}$  or Enable voltage recycled.

### Over Temperature Protection

The internal thermal temperature protection circuitry is provided to protect the integrated circuit in the event that the maximum junction temperature is exceeded. When the junction temperature exceeds +150°C, it shuts down the internal control circuit and switching power MOSFET. The AP3445/L will restart automatically under the control of soft start circuit when the junction temperature decreases to +130°C.

### Setting the Output Voltage

Choose R1 and R2 to program the proper output voltage. Resistor R1 is selected based on a design tradeoff between efficiency and output voltage accuracy. For high values of R1 there is less current consumption in the feedback network. However the tradeoff is output voltage accuracy due to the bias current in the error amplifier. Table 1 shows a list of resistors selection for common output voltages. An optional C1 of 10pF to 470pF used to boost the phase margin and improve stability. R2 in figure 6 can be determined by the following equation:

$$R_2 = \frac{R_1 \cdot 0.6}{V_{OUT} - 0.6}$$

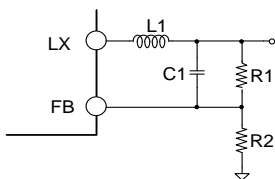


Figure 1. Feedback Divider Network

$V_{OUT}$ (V)	R1 (k $\Omega$ )	R2 (k $\Omega$ )	C1 (pF)	L1 ( $\mu$ H)
1.0V	68k $\Omega$	100k $\Omega$	22pF	1.0 $\mu$ H
1.2V	100k $\Omega$	100k $\Omega$	22pF	1.0 $\mu$ H
1.5V	150k $\Omega$	100k $\Omega$	22pF	1.5 – 2.2 $\mu$ H
1.8V	200k $\Omega$	100k $\Omega$	22pF	1.5 – 2.2 $\mu$ H
2.5V	317k $\Omega$	100k $\Omega$	22pF	2.2 $\mu$ H
2.8V	367k $\Omega$	100k $\Omega$	22pF	2.2 $\mu$ H

Table 1. Recommended Component Selection

## Application Information

### Input Capacitor

The input capacitor reduces the surge current drawn from the input supply and the switching noise from the device. The input capacitor has to sustain the ripple current produced during the on time on the upper MOSFET. It must hence have a low ESR to minimize the losses.

The RMS current rating of the input capacitor is a critical parameter that must be higher than the RMS input current. As a rule of thumb, select an input capacitor which has RMS rating that is greater than half of the maximum load current.

Due to large di/dt through the input capacitors, electrolytic or ceramics should be used. If a tantalum must be used, it must be surge protected. Otherwise, capacitor failure could occur. For most applications, a 22µF ceramic capacitor is sufficient .

### Output Capacitor

The output capacitor keeps the output voltage ripple small, ensures feedback loop stability and reduces the overshoot of the output voltage. The output capacitor is a basic component for the fast response of the power supply. In fact, during load transient, for the first few microseconds it supplies the current to the load. The converter recognizes the load transient and sets the duty cycle to maximum, but the current slope is limited by the inductor value.

ESR of the output capacitor dominates the output voltage ripple. The amount of ripple can be calculated from the equation below:

$$V_{OUT\_CAPACITOR} = \Delta I_{INDUCTOR} * ESR$$

An output capacitor with ample capacitance and low ESR is the best option. For most applications, 2x22µF ceramic capacitor will be sufficient.

$$C_O = \frac{L(I_{OUT} + \frac{\Delta I_{INDUCTOR}}{2})^2}{(\Delta V + V_{OUT})^2 - V_{OUT}^2}$$

Where  $\Delta V$  is the maximum output voltage overshoot.

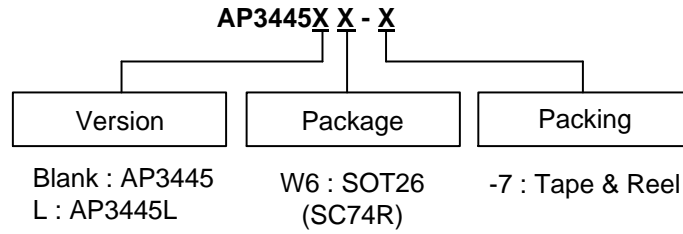
### Inductor election

The inductor is used to supply smooth current to output when it is driven by a switching voltage. Its value is determined based on the operating frequency, load current, ripple current, and duty cycle. For most application, the value of the inductor will fall in the range of 1.0µH to 2.2µH. Choose an inductor that has small DC resistance, has enough current rating and is hard to cause magnetic saturation.

Vo	L(µH)
1.0V	1.0µH
1.2V	1.0µH
1.5V	1.5 – 2.2µH
1.8V	1.5 – 2.2µH
2.5V	2.2µH
2.8V	2.2µH
3.3V	2.2µH

**Table 2: Recommended Inductor Selection Table**

## Ordering Information

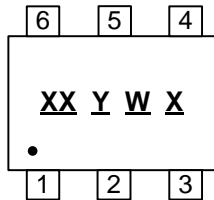


Package	Temperature Range	Part Number	Marking ID	Packing
SOT26 (SC74R)	-40 to +85°C	AP3445W6-7	9B	-7
SOT26 (SC74R)	-40 to +85°C	AP3445LW6-7	9C	-7

## Marking Information

(1) SOT26 (SC74R)

( Top View )

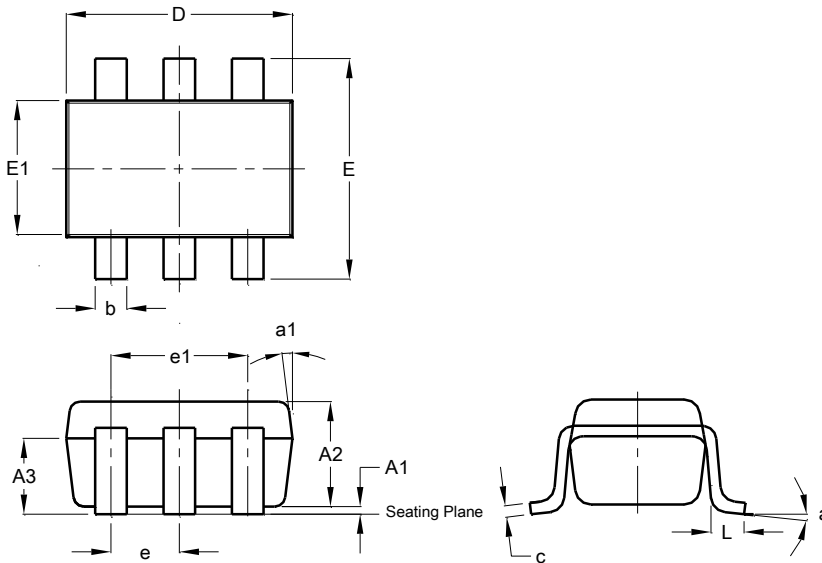


XX : Identification Code  
Y : Year 0~9  
W : Week : A~Z : 1~26 week;  
           a~z : 27~52 week; z represents  
           52 and 53 week  
X : Internal Code

## Package Outline Dimensions

Please see <http://www.diodes.com/package-outlines.html> for the latest version.

### (1) Package Type: SOT26 (SC74R)



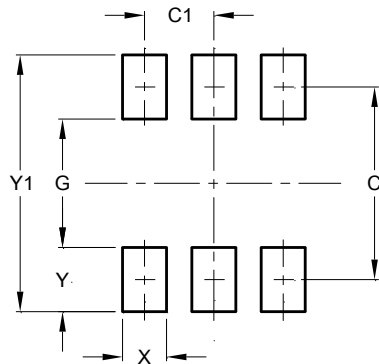
SOT26 (SC74R)			
Dim	Min	Max	Typ
A1	0.013	0.10	0.05
A2	1.00	1.30	1.10
A3	0.70	0.80	0.75
b	0.35	0.50	0.38
c	0.10	0.20	0.15
D	2.90	3.10	3.00
e	-	-	0.95
e1	-	-	1.90
E	2.70	3.00	2.80
E1	1.50	1.70	1.60
L	0.35	0.55	0.40
a	-	-	8°
a1	-	-	7°

All Dimensions in mm

## Suggested Pad Layout

Please see <http://www.diodes.com/package-outlines.html> for the latest version.

### (1) Package Type: SOT26 (SC74R)



Dimensions	Value (in mm)
C	2.40
C1	0.95
G	1.60
X	0.55
Y	0.80
Y1	3.20

**IMPORTANT NOTICE**

DIODES INCORPORATED MAKES NO WARRANTY OF ANY KIND, EXPRESS OR IMPLIED, WITH REGARDS TO THIS DOCUMENT, INCLUDING, BUT NOT LIMITED TO, THE IMPLIED WARRANTIES OF MERCHANTABILITY AND FITNESS FOR A PARTICULAR PURPOSE (AND THEIR EQUIVALENTS UNDER THE LAWS OF ANY JURISDICTION).

Diodes Incorporated and its subsidiaries reserve the right to make modifications, enhancements, improvements, corrections or other changes without further notice to this document and any product described herein. Diodes Incorporated does not assume any liability arising out of the application or use of this document or any product described herein; neither does Diodes Incorporated convey any license under its patent or trademark rights, nor the rights of others. Any Customer or user of this document or products described herein in such applications shall assume all risks of such use and will agree to hold Diodes Incorporated and all the companies whose products are represented on Diodes Incorporated website, harmless against all damages.

Diodes Incorporated does not warrant or accept any liability whatsoever in respect of any products purchased through unauthorized sales channel. Should Customers purchase or use Diodes Incorporated products for any unintended or unauthorized application, Customers shall indemnify and hold Diodes Incorporated and its representatives harmless against all claims, damages, expenses, and attorney fees arising out of, directly or indirectly, any claim of personal injury or death associated with such unintended or unauthorized application.

Products described herein may be covered by one or more United States, international or foreign patents pending. Product names and markings noted herein may also be covered by one or more United States, international or foreign trademarks.

This document is written in English but may be translated into multiple languages for reference. Only the English version of this document is the final and determinative format released by Diodes Incorporated.

**LIFE SUPPORT**

Diodes Incorporated products are specifically not authorized for use as critical components in life support devices or systems without the express written approval of the Chief Executive Officer of Diodes Incorporated. As used herein:

A. Life support devices or systems are devices or systems which:

1. are intended to implant into the body, or
2. support or sustain life and whose failure to perform when properly used in accordance with instructions for use provided in the labeling can be reasonably expected to result in significant injury to the user.

B. A critical component is any component in a life support device or system whose failure to perform can be reasonably expected to cause the failure of the life support device or to affect its safety or effectiveness.

Customers represent that they have all necessary expertise in the safety and regulatory ramifications of their life support devices or systems, and acknowledge and agree that they are solely responsible for all legal, regulatory and safety-related requirements concerning their products and any use of Diodes Incorporated products in such safety-critical, life support devices or systems, notwithstanding any devices- or systems-related information or support that may be provided by Diodes Incorporated. Further, Customers must fully indemnify Diodes Incorporated and its representatives against any damages arising out of the use of Diodes Incorporated products in such safety-critical, life support devices or systems.

Copyright © 2018, Diodes Incorporated

[www.diodes.com](http://www.diodes.com)

# Mouser Electronics

Authorized Distributor

Click to View Pricing, Inventory, Delivery & Lifecycle Information:

[Diodes Incorporated:](#)

[AP3445LW6-7](#) [AP3445W6-7](#)