



Chip Inductors – 0603CT(1608)

- Very low profile – only 60% of the height of our other 0603 inductor series
- Excellent Q, low DCR and very high SRF

Designer's Kit C423 contains 10 each of all stocked 5% values and **Designer's Kit C423-2** contains 10 each of all 2% values.

| Part number ¹ | Inductance ² (nH) | Percent tolerance ³ | 900 MHz | | 1.7 GHz | | SRF typ ⁵ (GHz) | DCR max ⁶ (Ohms) | Irms ⁷ (mA) |
|--------------------------|---------------------------------|--------------------------------|---------|--------------------|---------|--------------------|-------------------------------|--------------------------------|---------------------------|
| | | | L typ | Q typ ⁴ | L typ | Q typ ⁴ | | | |
| 0603CT-1N0XJE_ | 1.0 | 5 | 0.98 | 39 | 0.99 | 58 | 16.0 | 0.045 | 1600 |
| 0603CT-1N2XJE_ | 1.2 | 5 | 1.18 | 35 | 1.19 | 50 | 16.0 | 0.105 | 1100 |
| 0603CT-2N0XJE_ | 2.0 | 5 | 1.98 | 46 | 1.98 | 70 | 12.0 | 0.034 | 1900 |
| 0603CT-2N2XJE_ | 2.2 | 5 | 2.10 | 50 | 2.13 | 74 | 10.7 | 0.046 | 1600 |
| 0603CT-2N3XJE_ | 2.3 | 5 | 2.27 | 55 | 2.28 | 81 | 11.0 | 0.046 | 1600 |
| 0603CT-2N5XJE_ | 2.5 | 5 | 2.48 | 52 | 2.50 | 77 | 11.0 | 0.060 | 1300 |
| 0603CT-3N0X_E_ | 3.0 | 5,2 | 2.96 | 57 | 2.97 | 82 | 10.7 | 0.039 | 1600 |
| 0603CT-3N3X_E_ | 3.3 | 5,2 | 3.27 | 60 | 3.33 | 83 | 7.00 | 0.039 | 1600 |
| 0603CT-3N6X_E_ | 3.6 | 5,2 | 3.58 | 69 | 3.63 | 95 | 7.00 | 0.044 | 1600 |
| 0603CT-3N9X_E_ | 3.9 | 5,2 | 3.87 | 68 | 3.95 | 90 | 6.30 | 0.050 | 1400 |
| 0603CT-4N3X_E_ | 4.3 | 5,2 | 4.26 | 58 | 4.34 | 84 | 6.30 | 0.076 | 1300 |
| 0603CT-4N7X_E_ | 4.7 | 5,2 | 4.66 | 50 | 4.75 | 70 | 5.60 | 0.120 | 960 |
| 0603CT-5N1X_E_ | 5.1 | 5,2 | 5.12 | 68 | 5.18 | 93 | 5.50 | 0.050 | 1400 |
| 0603CT-5N6X_E_ | 5.6 | 5,2 | 5.60 | 67 | 5.73 | 90 | 5.05 | 0.058 | 1300 |
| 0603CT-6N8X_E_ | 6.8 | 5,2 | 6.78 | 60 | 7.00 | 81 | 4.50 | 0.080 | 1200 |
| 0603CT-7N2X_E_ | 7.2 | 5,2 | 7.19 | 65 | 7.44 | 88 | 4.50 | 0.047 | 1500 |
| 0603CT-8N2X_E_ | 8.2 | 5,2 | 8.18 | 60 | 8.46 | 78 | 4.25 | 0.075 | 1300 |
| 0603CT-9N5X_E_ | 9.5 | 5,2 | 9.52 | 63 | 9.92 | 80 | 3.95 | 0.092 | 1100 |
| 0603CT-10NX_E_ | 10 | 5,2 | 10.0 | 67 | 10.4 | 85 | 3.95 | 0.075 | 1300 |
| 0603CT-11NX_E_ | 11 | 5,2 | 11.0 | 66 | 11.5 | 86 | 4.00 | 0.110 | 1000 |
| 0603CT-12NX_E_ | 12 | 5,2 | 12.0 | 68 | 12.7 | 85 | 3.50 | 0.130 | 920 |
| 0603CT-15NX_E_ | 15 | 5,2 | 15.2 | 65 | 16.1 | 80 | 3.30 | 0.145 | 800 |
| 0603CT-16NX_E_ | 16 | 5,2 | 16.3 | 63 | 17.5 | 76 | 3.10 | 0.175 | 760 |
| 0603CT-18NX_E_ | 18 | 5,2 | 18.1 | 66 | 19.2 | 80 | 2.95 | 0.200 | 720 |
| 0603CT-20NX_E_ | 20 | 5,2 | 20.2 | 67 | 21.6 | 80 | 2.90 | 0.175 | 760 |
| 0603CT-22NX_E_ | 22 | 5,2 | 22.4 | 60 | 24.3 | 70 | 2.75 | 0.220 | 700 |
| 0603CT-24NX_E_ | 24 | 5,2 | 24.4 | 61 | 26.5 | 72 | 2.70 | 0.240 | 680 |
| 0603CT-27NX_E_ | 27 | 5,2 | 27.4 | 62 | 29.8 | 75 | 2.55 | 0.270 | 670 |
| 0603CT-30NX_E_ | 30 | 5,2 | 30.5 | 62 | 33.9 | 73 | 2.45 | 0.330 | 600 |
| 0603CT-33NX_E_ | 33 | 5,2 | 34.0 | 55 | 39.1 | 61 | 2.20 | 0.330 | 600 |
| 0603CT-36NX_E_ | 36 | 5,2 | 37.2 | 61 | 42.3 | 63 | 2.30 | 0.335 | 600 |
| 0603CT-39NX_E_ | 39 | 5,2 | 40.3 | 60 | 45.3 | 65 | 2.25 | 0.400 | 570 |
| 0603CT-43NX_E_ | 43 | 5,2 | 44.5 | 57 | 51.3 | 60 | 2.10 | 0.440 | 530 |
| 0603CT-47NX_E_ | 47 | 5,2 | 48.2 | 55 | 57.8 | 57 | 1.90 | 0.540 | 470 |
| 0603CT-51NX_E_ | 51 | 5,2 | 53.0 | 55 | 63.2 | 55 | 1.85 | 0.570 | 440 |
| 0603CT-56NX_E_ | 56 | 5,2 | 59.4 | 54 | 75.4 | 48 | 1.75 | 0.700 | 420 |

1. When ordering, specify **tolerance, termination and packaging** codes:

0603CT-56NXGEW

Tolerance: G = 2% J = 5% (Table shows stock tolerances in bold.)

Termination: E = Halogen free component. RoHS compliant silver-palladium-platinum-glass frit terminations.

L = RoHS compliant, not halogen-free. Silver-palladium-platinum-glass frit terminations

Special order: T = RoHS tin-silver-copper (95.5/4/0.5) or S = non-RoHS tin-lead (63/37).

Packaging: W = 7" machine-ready reel. EIA-481 punched paper tape (2000 parts per full reel).

U = Less than full reel. In tape, but not machine ready. To have a leader and trailer added (\$25 charge), use code letter W instead.

2. Inductance measured at 250 MHz, 0.1 Vrms, 0 Adc using Coilcraft SMD-A fixture in Agilent/HP 4287A impedance analyzer.

3. Tolerances in bold are stocked for immediate shipment.

4. Q measured using Agilent/HP4291A with Agilent/HP 16193 test fixture.

5. SRF measured using Agilent/HP 8722ES network analyzer and Coilcraft SMD-D test fixture.

6. DCR measured on Cambridge Technology micro-ohmmeter and Coilcraft CCF858 test fixture.

7. Current that causes a 15°C temperature rise from 25°C ambient. This information is for reference only and does not represent absolute maximum ratings.

8. Electrical specifications at 25°C.

Refer to Doc 362 "Soldering Surface Mount Components" before soldering.



www.coilcraft.com

US +1-847-639-6400 sales@coilcraft.com

UK +44-1236-730595 sales@coilcraft-europe.com

Taiwan +886-2-2264 3646 sales@coilcraft.com.tw

China +86-21-6218 8074 sales@coilcraft.com.cn

Singapore + 65-6484 8412 sales@coilcraft.com.sg

Document 485-1 Revised 02/27/17

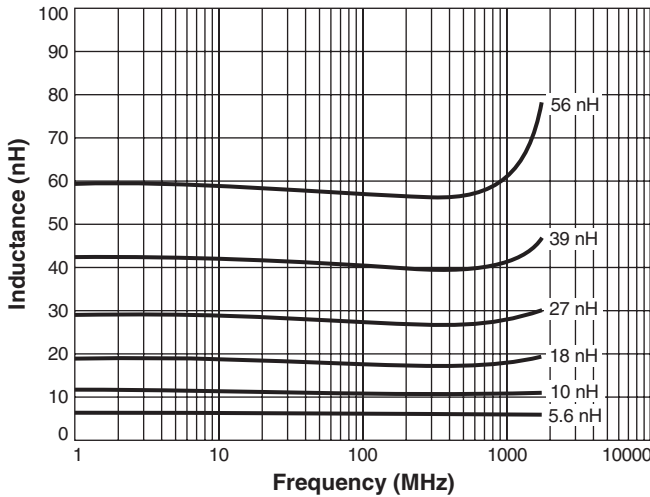
© Coilcraft Inc. 2017

This product may not be used in medical or high risk applications without prior Coilcraft approval. Specification subject to change without notice. Please check web site for latest information.

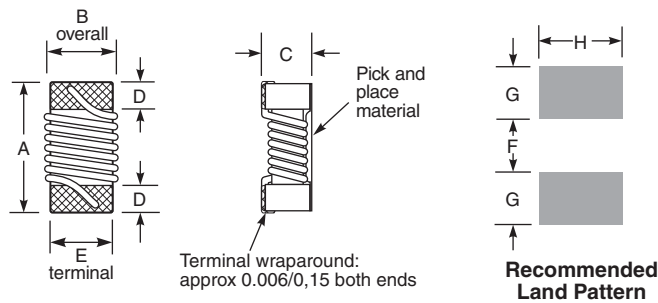


0603CT Series (1608)

Typical L vs Frequency



Typical Q vs Frequency



| Amax | Bmax | Cmax | D | E | F | G | H |
|-------|-------|-------|-------|-------|-------|-------|--------------|
| 0.064 | 0.033 | 0.024 | 0.013 | 0.030 | 0.025 | 0.025 | 0.040 inches |
| 1,63 | 0,84 | 0,61 | 0,33 | 0,76 | 0,64 | 0,64 | 1,02 mm |

Note: Dimensions are before optional solder application. For maximum height and length dimensions including solder, add 0.006 in / 0,152 mm. For maximum width dimension including solder, add 0.0025 in / 0,0635 mm.

Designer's Kit C423 contains 10 each of all 5% values;
Designer's Kit C423-2 contains 10 each of all 2% values

Core material Ceramic

Environmental RoHS compliant, halogen free

Terminations Silver-palladium-platinum-glass frit. Other terminations available at additional cost.

Weight 160 – 190 mg

Ambient temperature -40°C to +125°C with Irms current

Maximum part temperature +140°C (ambient + temp rise).

Storage temperature Component: -40°C to +140°C.
 Tape and reel packaging: -40°C to +80°C

Resistance to soldering heat Max three 40 second reflows at +260°C, parts cooled to room temperature between cycles

Temperature Coefficient of Inductance (TCL) +25 to +125 ppm/°C

Moisture Sensitivity Level (MSL) 1 (unlimited floor life at <30°C / 85% relative humidity)

Failures in Time (FIT) / Mean Time Between Failures (MTBF)
 One per billion hours / one billion hours, calculated per Telcordia SR-332

Packaging 2000/7" reel; Paper tape: 8 mm wide, 0.68 mm thick, 4 mm pocket spacing

PCB washing Tested to MIL-STD-202 Method 215 plus an additional aqueous wash. See [Doc787_PCB_Washing.pdf](#).



US +1-847-639-6400 sales@coilcraft.com
UK +44-1236-730595 sales@coilcraft-europe.com
Taiwan +886-2-2264 3646 sales@coilcraft.com.tw
China +86-21-6218 8074 sales@coilcraft.com.cn
Singapore + 65-6484 8412 sales@coilcraft.com.sg

Document 485-2 Revised 02/27/17
 © Coilcraft Inc. 2017
 This product may not be used in medical or high risk applications without prior Coilcraft approval. Specification subject to change without notice. Please check web site for latest information.

Mouser Electronics

Authorized Distributor

Click to View Pricing, Inventory, Delivery & Lifecycle Information:

Coilcraft:

[0603CT-2N2XJLU](#) [0603CT-2N2XJLW](#) [0603CT-39NXJLW](#) [0603CT-30NXJLW](#) [0603CT-6N8XGLU](#) [0603CT-9N5XGLU](#) [0603CT-15NXGLW](#) [0603CT-3N6XJLU](#) [0603CT-4N7XJLU](#) [0603CT-47NXGLU](#) [0603CT-10NXGLW](#) [0603CT-36NXGLU](#) [0603CT-27NXJLU](#) [0603CT-7N2XJLW](#) [0603CT-5N1XJLW](#) [0603CT-1N2XJLW](#) [0603CT-51NXGLW](#) [0603CT-20NXJLU](#) [0603CT-51NXJLW](#) [0603CT-5N6XJLU](#) [0603CT-24NXJLU](#) [0603CT-15NXJLW](#) [0603CT-3N6XJLW](#) [0603CT-4N3XJLU](#) [0603CT-56NXGLU](#) [0603CT-10NXJLW](#) [0603CT-33NXJLU](#) [0603CT-4N7XGLW](#) [0603CT-3N6XGLW](#) [0603CT-2N5XJLW](#) [0603CT-43NXGLU](#) [0603CT-27NXGLW](#) [0603CT-20NXGLW](#) [0603CT-11NXGLU](#) [0603CT-8N2XGLU](#) [0603CT-36NXJLU](#) [0603CT-47NXJLU](#) [0603CT-3N3XGLU](#) [0603CT-7N2XGLW](#) [0603CT-5N1XGLW](#) [0603CT-18NXGLU](#) [0603CT-39NXGLW](#) [0603CT-1N0XJLU](#) [0603CT-30NXGLW](#) [0603CT-12NXGLU](#) [0603CT-9N5XJLU](#) [0603CT-22NXJLW](#) [0603CT-6N8XJLU](#) [0603CT-3N9XJLW](#) [0603CT-2N3XJLU](#) [0603CT-16NXJLW](#) [0603CT-4N7XJLW](#) [0603CT-20NXJLW](#) [0603CT-47NXGLW](#) [0603CT-18NXJLU](#) [0603CT-12NXJLU](#) [0603CT-27NXJLW](#) [0603CT-5N6XGLU](#) [0603CT-4N3XGLU](#) [0603CT-36NXGLW](#) [0603CT-3N3XJLU](#) [0603CT-9N5XGLW](#) [0603CT-24NXGLU](#) [0603CT-33NXGLU](#) [0603CT-6N8XGLW](#) [0603CT-30NXGLU](#) [0603CT-1N0XJLW](#) [0603CT-18NXGLW](#) [0603CT-7N2XGLU](#) [0603CT-16NXJLU](#) [0603CT-36NXJLW](#) [0603CT-6N8XJLW](#) [0603CT-39NXGLU](#) [0603CT-2N3XJLW](#) [0603CT-3N9XJLU](#) [0603CT-9N5XJLW](#) [0603CT-47NXJLW](#) [0603CT-22NXJLU](#) [0603CT-12NXGLW](#) [0603CT-5N1XGLU](#) [0603CT-3N3XGLW](#) [0603CT-3N0XGLW](#) [0603CT-10NXGLU](#) [0603CT-16NXGLW](#) [0603CT-5N1XJLU](#) [0603CT-22NXGLW](#) [0603CT-1N2XJLU](#) [0603CT-51NXGLU](#) [0603CT-15NXGLU](#) [0603CT-3N9XGLW](#) [0603CT-3N0XJLW](#) [0603CT-8N2XJLW](#) [0603CT-11NXJLW](#) [0603CT-39NXJLU](#) [0603CT-7N2XJLU](#) [0603CT-2N0XJLW](#) [0603CT-30NXJLU](#) [0603CT-56NXJLW](#) [0603CT-43NXJLW](#) [0603CT-8N2XGLW](#)