



APPROVAL SHEET

Approval Specification	Customer's Approval Certificate
TO:	Please return this copy as a certification of your approval
Part No.:	Checked & Approved by:
Customer's Part No.:	Date:

BEIJING ZHONGXUN SIFANG SCIENCE & TECHNOLOGY CO.,LTD.

Tel: +86-010-58937383
Fax: +86-010-58937263
E-mail: zxsf_sales@163.com
QQ: 2109300457
Website: <http://www.bjzxsf.net>
Add: No 201, Block A. Building 3. Yongjie Beilu
Yongfeng high-tech industrial base
Haidian District Beijing city

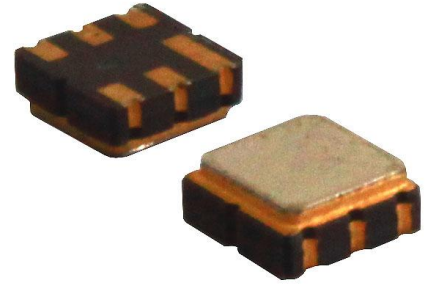


Part No.	:	SF9048
Pages	:	7
Date	:	2013/8/08
Revision	:	1.0

Prepared by:	王招林
Checked by:	杨宗伟
Approved by:	刘纪军

Application

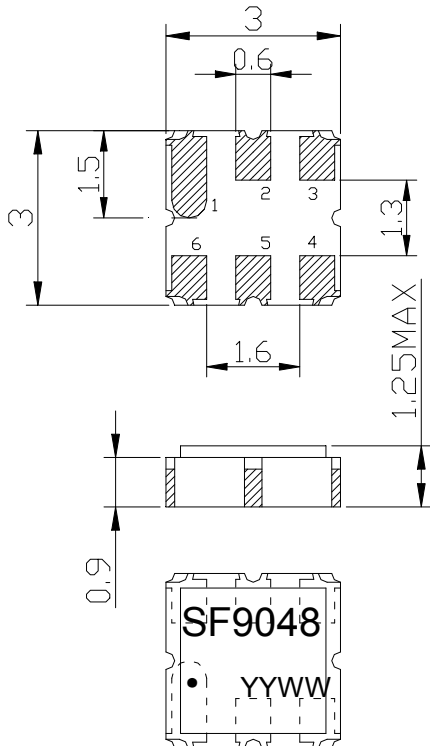
- Low-loss SAW component
- Low amplitude ripple
- Sharp rejections at both out-bands
- Usable passband 75.0 MHz



Features

- Ceramic Package for **Surface Mounted Technology (SMT)**
- **RoHS** compatible
- Package size 3.00x3.00x1.25mm³
- Package Code DCC6C
- **Electrostatic Sensitive Device(ESD)**

Package Dimensions (Unit: mm)



Pin Configuration

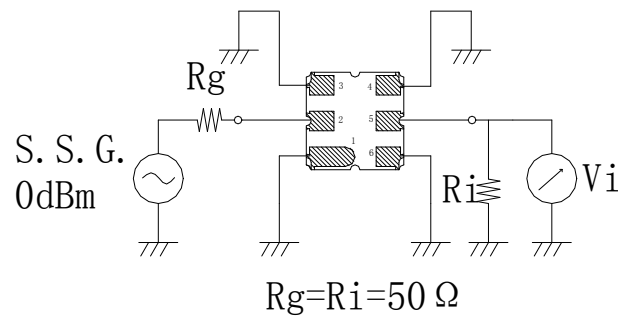
Pin No.	Description
2	Input
5	Output
1,3,4,6	Case Ground

Marking Description

SF	SF	Trademark
	F	SAW Filter
9048	Part Number	
●	Pin 1	
YYWW	Year Code & Week Code	

*Fig: If the products produced in 06th week of 2015, The year code & week code is 1506.

Test Circuit (Bottom View)



Performance**Maximum Rating**

Item		Value	Unit
DC Voltage	V _{DC}	3	V
Operation Temperature	T	-40 ~ +85	°C
Storage Temperature	T _{stg}	-55 ~ +125	°C
RF Power Dissipation	P	10	dBm

Electronic Characteristics

Test Temperature: 25°C ± 2°C

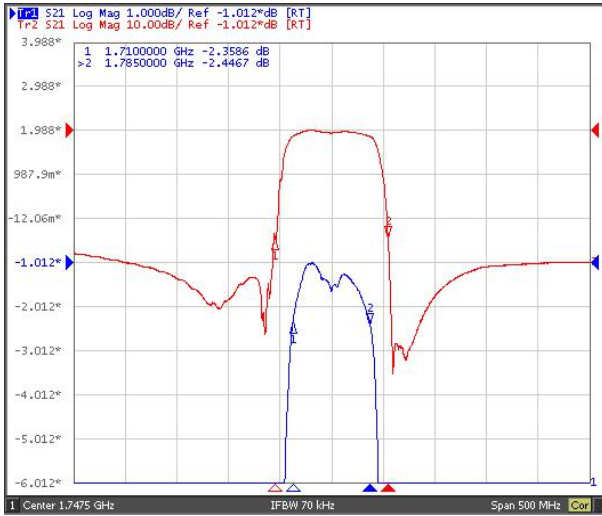
Terminating source impedance: 50Ω

Terminating load impedance: 50Ω

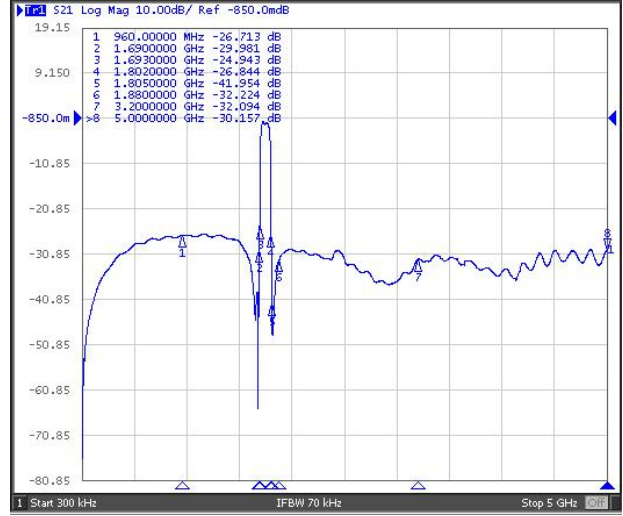
Item		Minimum	Typical	Maximum	Unit
Center Frequency	f _c		1747.50		MHz
Insertion Loss(min)	IL		1.5	2.0	dB
Insertion Loss 1710.00 - 1785.00MHz	IL		2.5	3.0	dB
Amplitude Ripple (p-p) 1710.00 - 1785.00MHz	Δα		1.5	3.0	dB
Group Delay Ripple 1710.00 - 1785.00MHz	GDR		18.0	40.0	ns
Absolute Attenuation	α				
DC - 960.00MHz		20.0	25.0		dB
960.00 - 1690.00MHz		20.0	25.0		dB
1690.00 - 1693.00MHz		15.0	20.0		dB
1802.00 - 1805.00MHz		20.0	25.0		dB
1805.00 - 1880.00MHz		25.0	30.0		dB
1880.00 - 3200.00MHz		23.0	28.0		dB
3200.00 - 5000.00MHz		4.0	28.0		dB
Input VSWR 1710.00 - 1785.00MHz			1.8:1	2.2:1	/
Output VSWR 1710.00 - 1785.00MHz			1.8:1	2.2:1	/

Frequency Characteristics

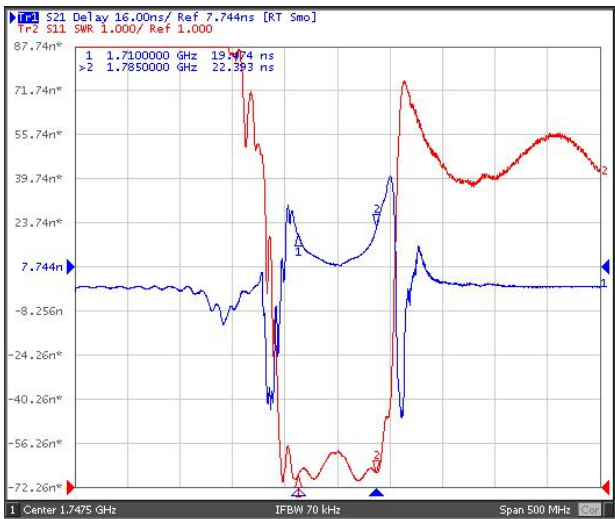
Frequency Response



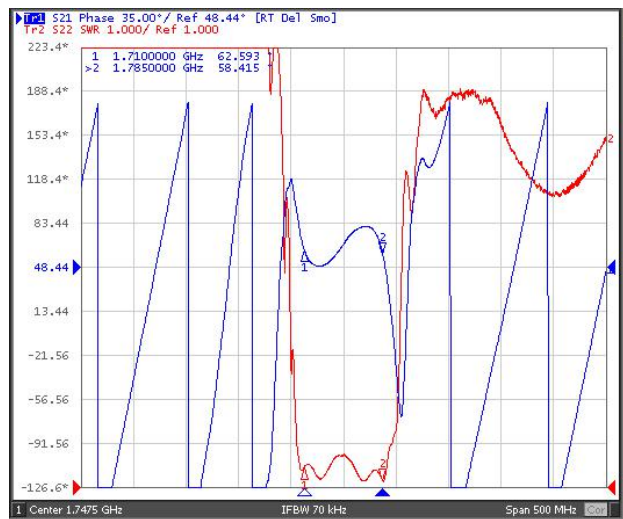
Frequency Response (wideband)



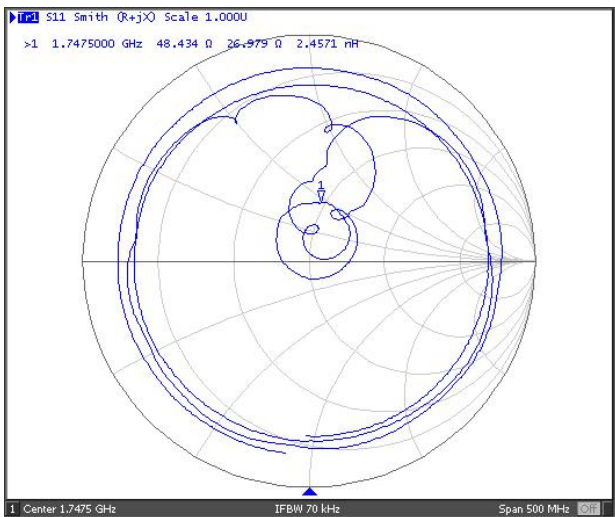
Delay Ripple & S11 VSWR



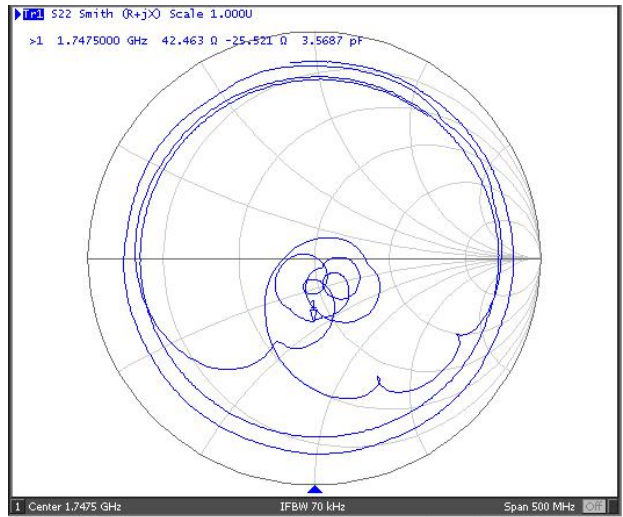
Phase Linearity & S22 VSWR



S11 Smith Chart

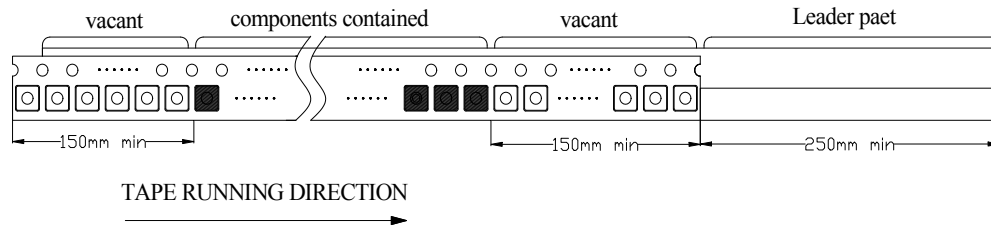


S22 Smith Chart



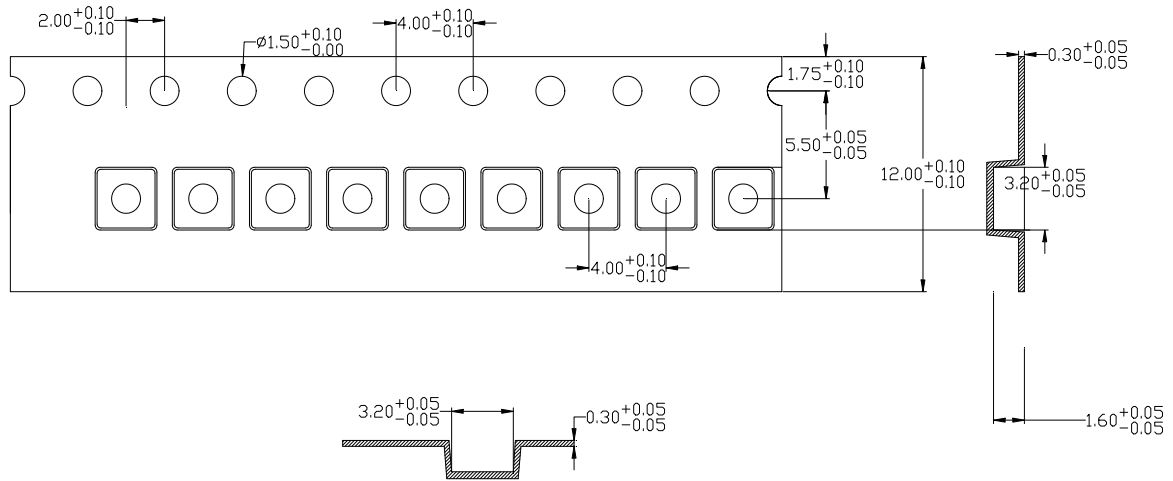
Packing Information

Carrier Tape



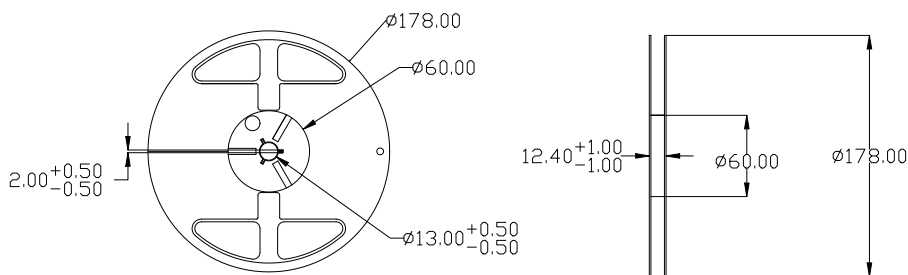
Reel Dimensions

Unit: mm



Outer Packing

Unit: mm



3000 pcs/reel

Type	Quantity	Dimension	Description	Weight
Internal box	6000	190×188×42	carton box 2 reel / internal box 5 boxes / external box	0.50
External box	30000	235×205×210		2.77

Unit: mm

Unit: kg

Notes

1. As a result of the particularity of inner structure of SAW products, it easy to be breakdown by electrostatic, so we should pay attention to **ESD protect** in the test.
2. **Static voltage** between signal load and ground may cause deterioration and destruction of the component. Please avoid static voltage.
3. **Ultrasonic cleaning** may cause deterioration and destruction of the component. Please avoid ultrasonic cleaning.
4. Only leads of component may **be soldered**. Please avoid soldering another part of component.
5. There is a close relationship between the device's performance and **matching network**. The specifications of this device are based on the test circuit shown above. L and C values may change depending on board layout. Values shown are intended as a guide only.