

TOSHIBA CCD Linear Image Sensor CCD (Charge Coupled Device)

# TCD2564DG

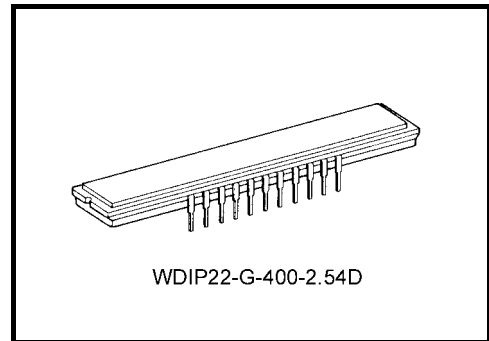
The TCD2564DG is a high sensitive and low dark current 5400 elements × 3 line CCD color image sensor.

The sensor is designed for color scanner.

The device contains a row of 5400 elements × 3 line photodiodes which provide a 24 lines/mm across a A4 size paper. The device is operated by 5-V pulse, and 10-V power supply.

## Features

- Number of image sensing pixels: 5400 elements × 3 lines
- Image sensing pixels size: 7 μm by 7 μm on 7 μm center
- Photo sensing region: High sensitive pn photodiode
- Clock: 2-phase (5 V)
- Distance between photodiode array: Pixel R to pixel G, and pixel G to pixel B = 28 μm (4 lines)
- Internal circuit: Clamp circuit
- Package: 22-pin CERDIP
- Color filter: Red, Green, Blue



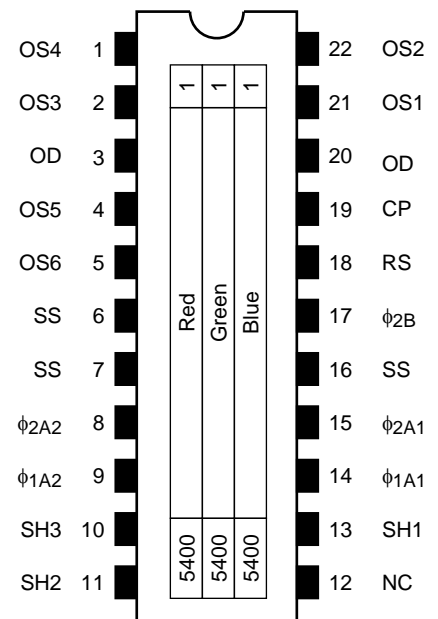
Weight: 4.4 g (typ.)

## Maximum Ratings (Note 1)

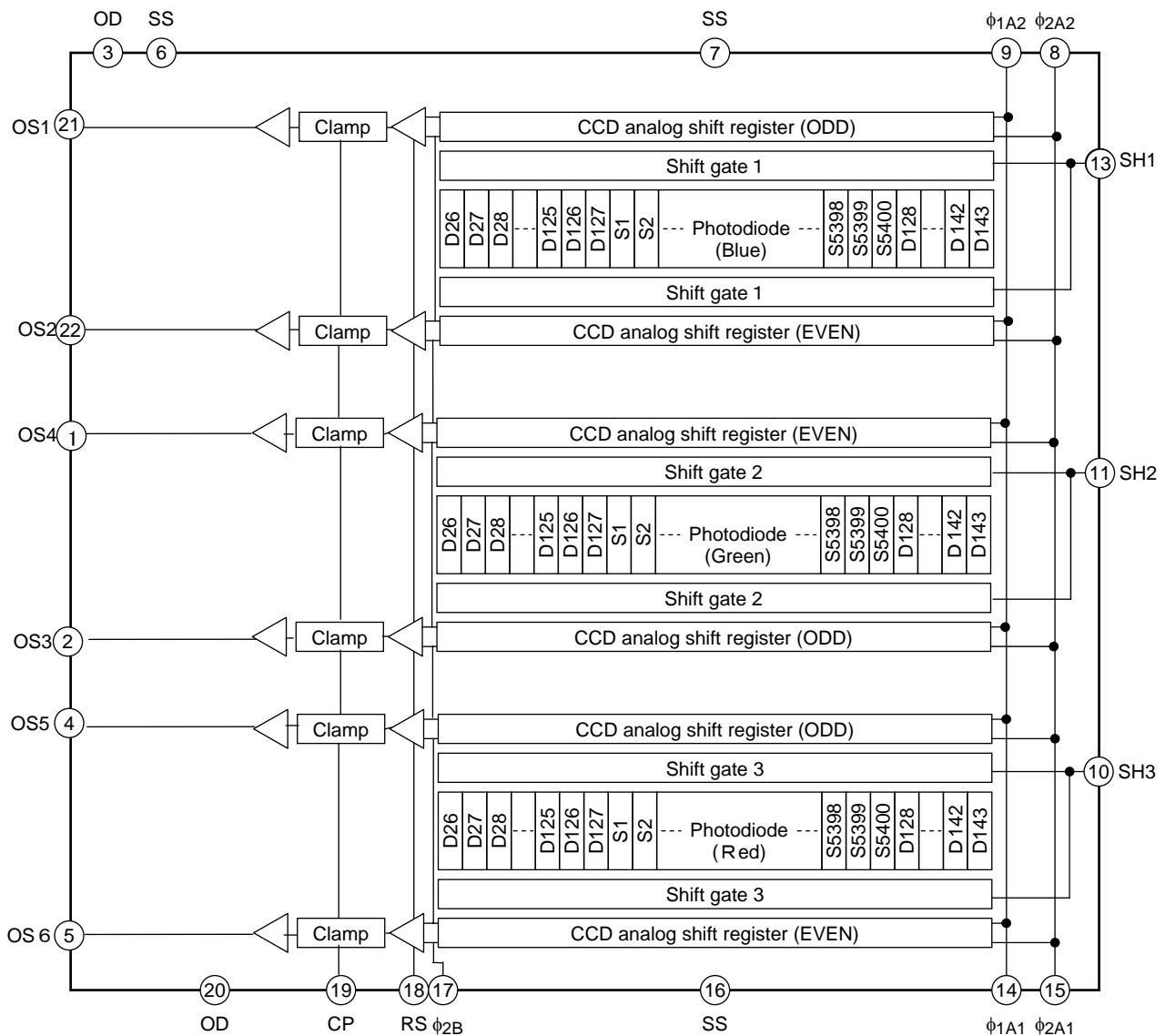
Characteristics	Symbol	Rating	Unit
Clock pulse voltage	$V_{\phi A}$	-0.3~8.0	V
Last stage clock pulse voltage	$V_{\phi B}$		V
Shift pulse voltage	$V_{SH}$		V
Reset pulse voltage	$V_{RS}$		V
Clamp pulse voltage	$V_{CP}$		V
Power supply voltage	$V_{OD}$	-0.3~13.5	V
Operating temperature	$T_{opr}$	0~60	°C
Storage temperature	$T_{stg}$	-25~85	°C

Note 1: All voltages are with respect to SS terminals (ground).

## Pin Connections (top)



## Circuit Diagram



## Pin Names

OS 1	Output signal 1 (Blue-ODD)	$\phi 1A1$	Transfer clock 1 (phase 1)
OS 2	Output signal 2 (Blue-EVEN)	$\phi 1A2$	Transfer clock 2 (phase 1)
OS 3	Output signal 3 (Green-ODD)	$\phi 2A1$	Transfer clock 1 (phase 2)
OS 4	Output signal 4 (Green-EVEN)	$\phi 2A2$	Transfer clock 2 (phase 2)
OS 5	Output signal 5 (Red-ODD)	RS	Reset gate
OS 6	Output signal 6 (Red-EVEN)	CP	Clamp gate
SS	Ground	SH1	Shift gate 1
OD	Power supply	SH2	Shift gate 2
$\phi 2B$	Last stage transfer clock	SH3	Shift gate 3

## Optical/Electrical Characteristics

( $T_a = 25^\circ\text{C}$ ,  $V_{OD} = 10\text{ V}$ ,  $V_\phi = V_{RS} = V_{SH} = V_{CP} = 5\text{ V (pulse)}$ ,  $f_\phi = 1.0\text{ MHz}$ ,  
 load resistance =  $100\text{ k}\Omega$ ,  $t_{INT}$  (integration time) =  $10\text{ ms}$ ,  
 light source = light source A + CM500S ( $t = 1.0\text{ mm}$ ))

Characteristics		Symbol	Min	Typ.	Max	Unit	Note
Sensitivity	Red	$R_R$	6.7	9.6	12.5	V/(lx·s)	(Note 2)
	Green	$R_G$	6.2	8.9	11.6		
	Blue	$R_B$	2.6	3.8	5.0		
Photo response non uniformity		PRNU (1)	—	10	20	%	(Note 3)
		PRNU (3)	—	3	12	mV	(Note 4)
Saturation output voltage		$V_{SAT}$	1.4	1.6	—	V	(Note 5)
Saturation exposure		SE	0.13	0.18	—	lx·s	(Note 6)
Dark signal voltage		$V_{DRK}$	—	2	6	mV	(Note 7)
Dark signal non uniformity		DSNU	—	8	12	mV	(Note 8)
DC power dissipation		$P_D$	—	580	870	mW	—
Total transfer efficiency		TTE	92	97	—	%	—
Output impedance		$Z_O$	—	0.2	0.5	k $\Omega$	—
DC signal output voltage		$V_{OS}$	3.5	5.0	6.5	V	(Note 9)
Random noise		$N_{D\sigma}$	—	0.56	—	mV	(Note 10)

Note 2: Sensitivity is defined for each color of signal outputs average when the photosensitive surface is applied with the light of uniform illumination and uniform color temperature.

Note 3: PRNU (1) is defined for each color on a single chip by the expressions below when the photosensitive surface is applied with the light of uniform illumination and uniform color temperature, and the incident light is 50% of SH (typ.).

$$PRNU(1) = \frac{\Delta X}{\bar{X}} \times 100 (\%)$$

$\bar{X}$ : Average of total signal outputs  
 $\Delta X$ : The maximum deviation from  $\bar{X}$ .

Note 4: PRNU (3) is defined as maximum voltage with next pixel, where measured 5% of SE (typ.).

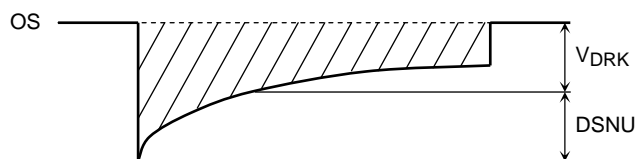
Note 5:  $V_{SAT}$  is defined as minimum saturation output voltage of all effective pixels.

Note 6: Definition of SE:

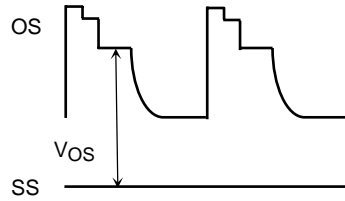
$$SE = \frac{V_{SAT}}{R_G}$$

Note 7:  $V_{DRK}$  is defined as average dark signal voltage of all effective pixels.

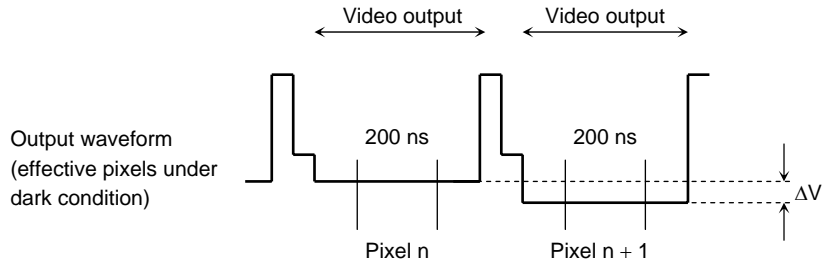
Note 8: DSNU is defined by the difference between average value ( $V_{DRK}$ ) and the maximum value of the dark voltage.



Note 9: DC signal output voltage is defined as follows:



Note 10: Random noise is defined as the standard deviation (sigma) of the output level difference between two adjacent effective pixels under no illumination (i.e. dark condition) calculated by the following procedure.



- (1) Two adjacent pixels (pixel n and n + 1) in one reading are fixed as measurement points.
- (2) Each of the output levels at video output periods averaged over 200 nanosecond period to get  $V_n$  and  $V_{n+1}$ .
- (3)  $V_{n+1}$  is subtracted from  $V_n$  to get  $\Delta V$ .  

$$\Delta V = V(n) - V(n+1)$$
- (4) The standard deviation of  $\Delta V$  is calculated after procedure (2) and (3) are repeated 30 times (30 readings).

$$\overline{\Delta V} = \frac{1}{30} \sum_{i=1}^{30} |\Delta V_i| \qquad \sigma = \sqrt{\frac{1}{30} \sum_{i=1}^{30} (|\Delta V_i| - \overline{\Delta V})^2}$$

- (5) Procedure (2), (3) and (4) are repeated 10 times to get 10 sigma values.

$$\overline{\sigma} = \frac{1}{10} \sum_{j=1}^{10} \sigma_j$$

- (6)  $\overline{\sigma}$  value calculated using the above procedure is observed  $\sqrt{2}$  times larger than that measured relative to the ground level. So we specify the random noise as follows.

$$ND\sigma = \frac{1}{\sqrt{2}} \overline{\sigma}$$

## Operating Condition (Ta = 25°C)

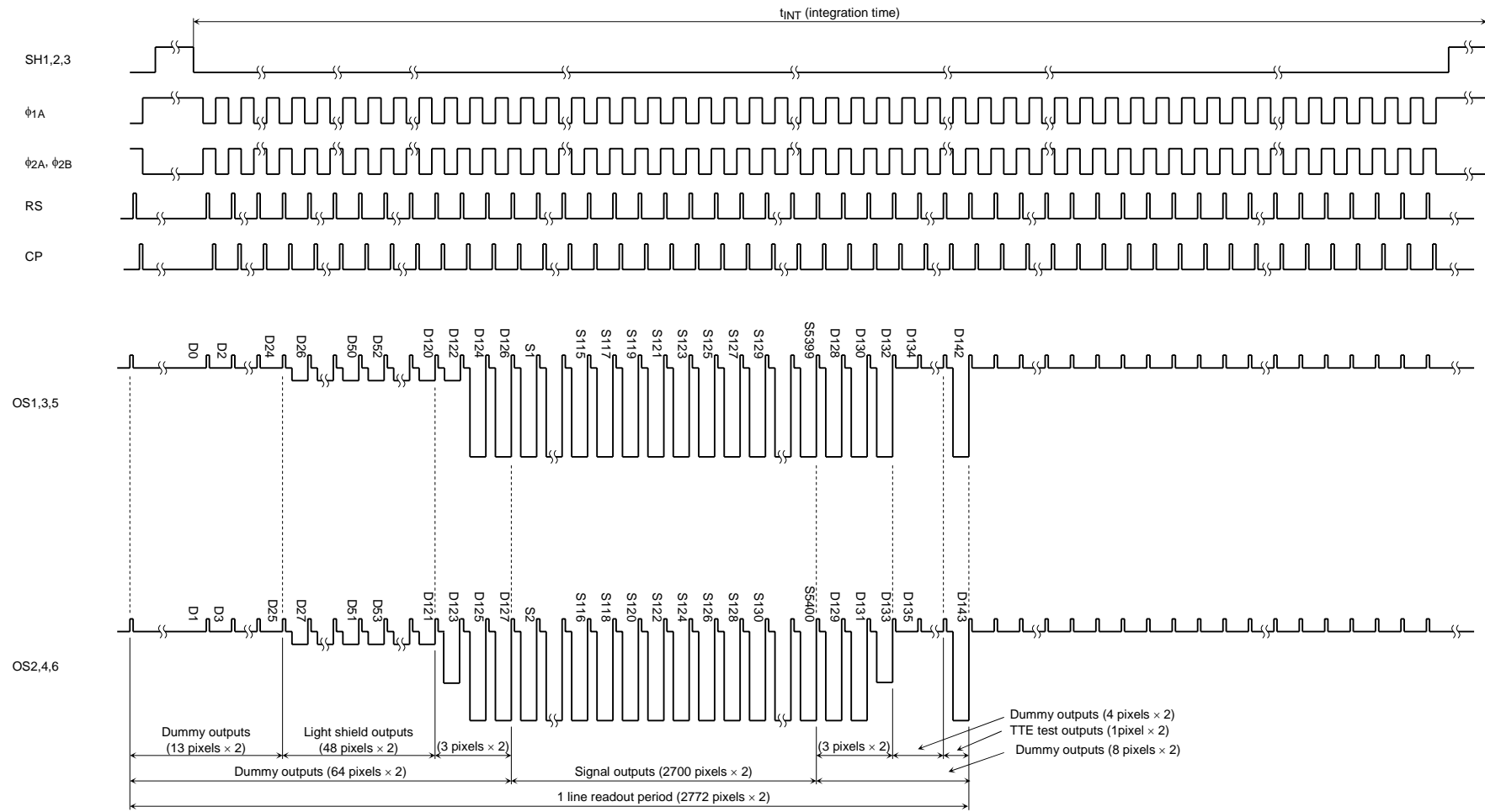
Characteristics		Symbol	Min	Typ.	Max	Unit
Clock pulse voltage	High level	$V_{\phi1A}$	4.75	5.0	5.5	V
	Low level	$V_{\phi2A}$	0	—	0.25	
Last stage clock pulse voltage	High level	$V_{\phi2B}$	4.75	5.0	5.5	V
	Low level		0	—	0.25	
Shift pulse voltage	High level	$V_{SH}$	4.75	5.0	5.5	V
	Low level		0	—	0.25	
Reset pulse voltage	High level	$V_{RS}$	4.75	5.0	5.5	V
	Low level		0	—	0.25	
Clamp pulse voltage	High level	$V_{CP}$	4.75	5.0	5.5	V
	Low level		0	—	0.25	
Power supply voltage		$V_{OD}$	9.5	10.0	10.5	V

## Clock Characteristics (Ta = 25°C)

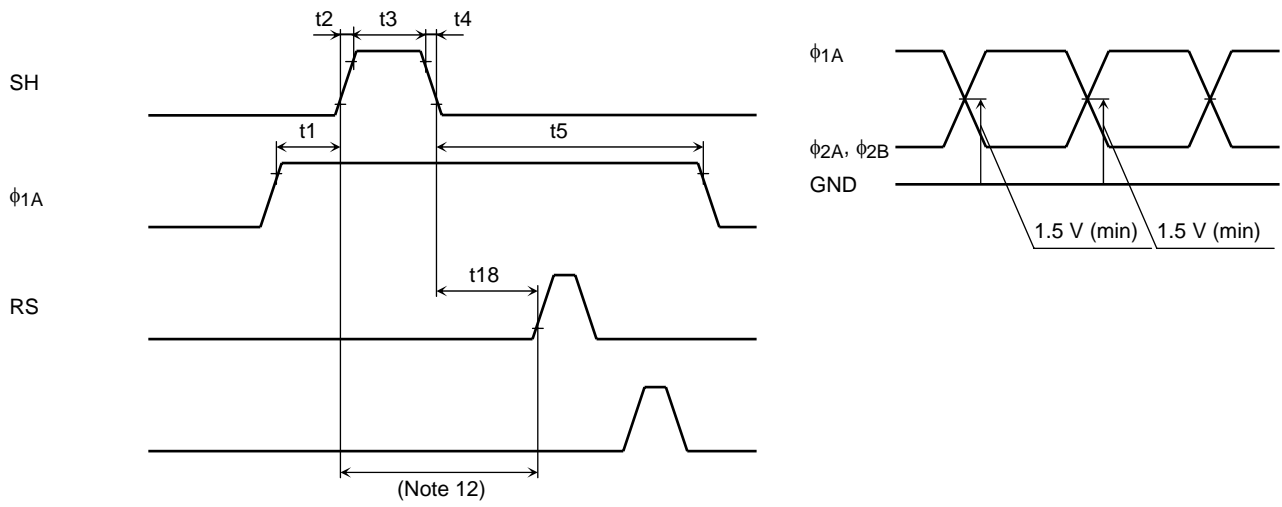
Characteristics	Symbol	Min	Typ.	Max	Unit
Clock pulse frequency	$f_{\phi}$	0.2	1.0	30	MHz
Reset pulse frequency	$f_{RS}$	—	1.0	30	MHz
Clamp pulse frequency	$f_{CP}$	—	1.0	30	MHz
Clock capacitance (Note 11)	$C_{\phi1A}$	—	170	—	pF
	$C_{\phi2A}$	—	173	—	pF
Last stage clock capacitance	$C_{\phi B}$	—	5	—	pF
Shift gate capacitance	$C_{SH}$ (SH1, SH2)	—	6	—	pF
	$C_{SH}$ (SH3)	—	22	—	
Reset gate capacitance	$C_{RS}$	—	6	—	pF
Clamp gate capacitance	$C_{CP}$	—	6	—	pF

Note 11:  $V_{OD} = 10\text{ V}$

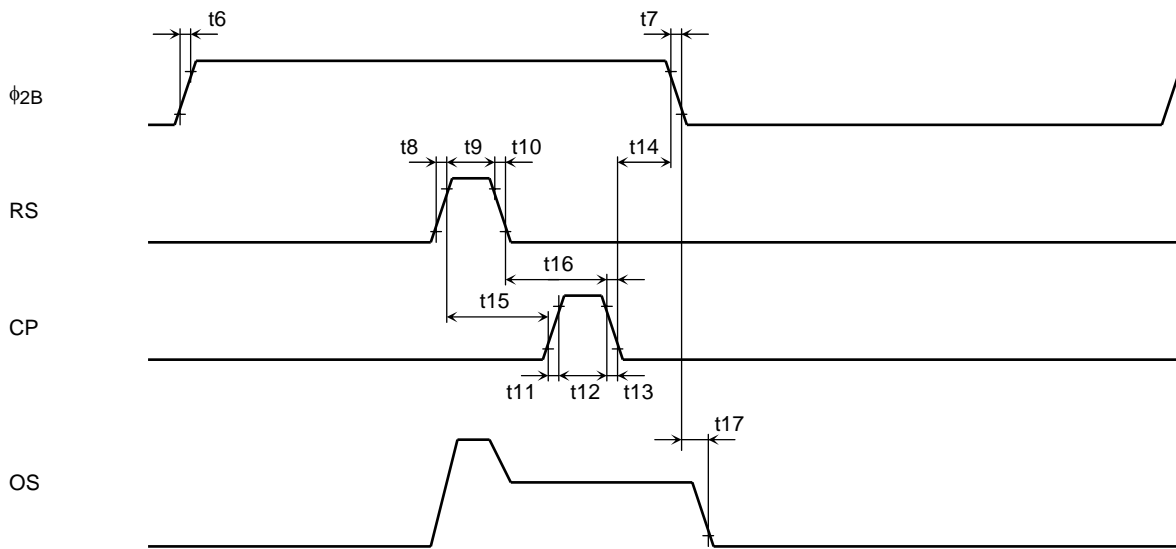
Timing Chart



## Timing Requirements



Note 12: Hold the RS and CP pins at low during this period.



Characteristics	Symbol	Min	Typ. (Note 13)	Max	Unit
Pulse timing of SH and $\phi_{1A}$	t1	120	1000	—	ns
	t5	1000	1200	—	
SH pulse rise time, fall time	t2, t4	0	50	—	ns
SH pulse width	t3	1000	5000	—	ns
$\phi_1$ , $\phi_2$ Pulse rise time, fall time	t6, t7	0	50	—	ns
RS pulse rise time, fall time	t8, t10	0	20	—	ns
RS pulse width	t9	8	100	—	ns
CP pulse rise time, fall time	t11, t13	0	20	—	ns
CP pulse width	t12	8	200	—	ns
Pulse timing of $\phi_{2B}$ and CP	t14	0	40	—	ns
Pulse timing of RS and CP	t15	0	0	—	ns
	t16	8	100	—	
Video data delay time (Note 14)	t17	—	6.7	—	ns
Pulse timing of SH and RS	t18	1000	—	—	ns

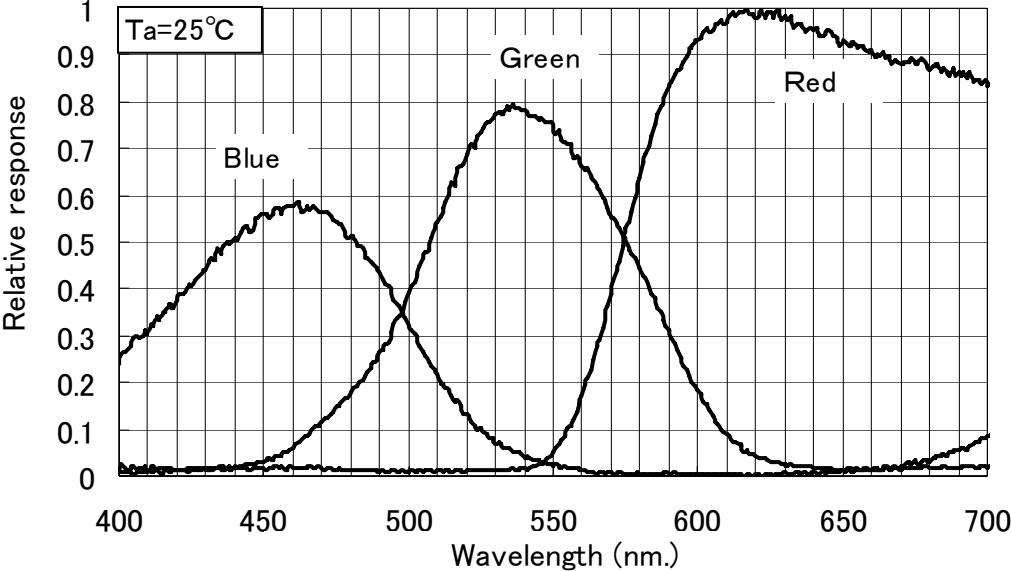
Note 13: Measured with  $f_{RS} = 1$  MHz.

Note 14: Load resistance is 100 k $\Omega$ .



Typical Spectral Response

Spectral Response(typ.)



**Cautions****1. Electrostatic Breakdown**

The dust and stain on the glass window of the package degrade optical performance of CCD sensor.

Keep the glass window clean by saturating a cotton swab in alcohol and lightly wiping the surface, and allow the glass to dry, by blowing with filtered dry N<sub>2</sub>. Care should be taken to avoid mechanical or thermal shock because the glass window is easily to damage.

- a. Prevent the generation of static electricity due to friction by making the work with bare hands or by putting on cotton gloves and non-charging working clothes.
- b. Discharge the static electricity by providing earth plate or earth wire on the floor, door or stand of the work room.
- c. Ground the tools such as soldering iron, radio cutting pliers or pincer.

It is not necessarily required to execute all precaution items for static electricity.

It is all right to mitigate the precautions by confirming that the trouble rate within the prescribed range.

**2. Window Glass**

The dust and stain on the glass window of the package degrade optical performance of CCD sensor.

Keep the glass window clean by saturating a cotton swab in alcohol and lightly wiping the surface, and allow the glass to dry, by blowing with filtered dry N<sub>2</sub>. Care should be taken to avoid mechanical or thermal shock because the glass window is easily to damage.

**3. Incident Light**

CCD sensor is sensitive to infrared light. Note that infrared light component degrades resolution and PRNU of CCD sensor.

**4. Mounting on a PCB**

This package is sensitive to mechanical stress.

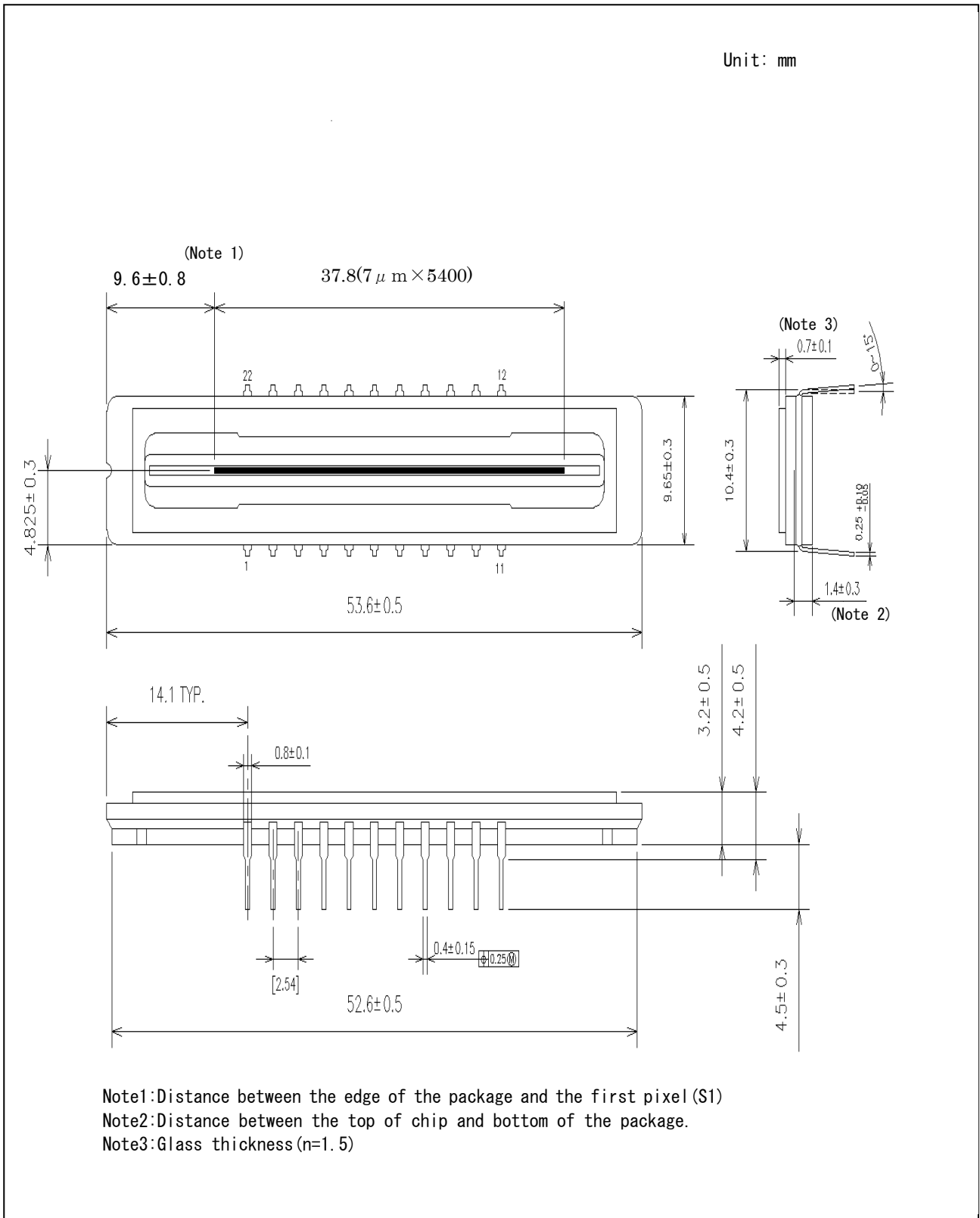
Toshiba recommends using IC inserters for mounting, instead of using lead forming equipment.

**5. Soldering**

Soldering by the solder flow method cannot be guaranteed because this method may have deleterious effects on prevention of window glass soiling and heat resistance.

Using a soldering iron, complete soldering within ten seconds for lead temperatures of up to 260°C, or within three seconds for lead temperatures of up to 350°C.

**Package Dimensions**



Weight: 4.4g (typ.)

**RESTRICTIONS ON PRODUCT USE**

- Toshiba Corporation, and its subsidiaries and affiliates (collectively "TOSHIBA"), reserve the right to make changes to the information in this document, and related hardware, software and systems (collectively "Product") without notice.
- This document and any information herein may not be reproduced without prior written permission from TOSHIBA. Even with TOSHIBA's written permission, reproduction is permissible only if reproduction is without alteration/omission.
- Though TOSHIBA works continually to improve Product's quality and reliability, Product can malfunction or fail. Customers are responsible for complying with safety standards and for providing adequate designs and safeguards for their hardware, software and systems which minimize risk and avoid situations in which a malfunction or failure of Product could cause loss of human life, bodily injury or damage to property, including data loss or corruption. Before creating and producing designs and using, customers must also refer to and comply with (a) the latest versions of all relevant TOSHIBA information, including without limitation, this document, the specifications, the data sheets and application notes for Product and the precautions and conditions set forth in the "TOSHIBA Semiconductor Reliability Handbook" and (b) the instructions for the application that Product will be used with or for. Customers are solely responsible for all aspects of their own product design or applications, including but not limited to (a) determining the appropriateness of the use of this Product in such design or applications; (b) evaluating and determining the applicability of any information contained in this document, or in charts, diagrams, programs, algorithms, sample application circuits, or any other referenced documents; and (c) validating all operating parameters for such designs and applications. **TOSHIBA ASSUMES NO LIABILITY FOR CUSTOMERS' PRODUCT DESIGN OR APPLICATIONS.**
- Product is intended for use in general electronics applications (e.g., computers, personal equipment, office equipment, measuring equipment, industrial robots and home electronics appliances) or for specific applications as expressly stated in this document. Product is neither intended nor warranted for use in equipment or systems that require extraordinarily high levels of quality and/or reliability and/or a malfunction or failure of which may cause loss of human life, bodily injury, serious property damage or serious public impact ("Unintended Use"). Unintended Use includes, without limitation, equipment used in nuclear facilities, equipment used in the aerospace industry, medical equipment, equipment used for automobiles, trains, ships and other transportation, traffic signaling equipment, equipment used to control combustions or explosions, safety devices, elevators and escalators, devices related to electric power, and equipment used in finance-related fields. Do not use Product for Unintended Use unless specifically permitted in this document.
- Do not disassemble, analyze, reverse-engineer, alter, modify, translate or copy Product, whether in whole or in part.
- Product shall not be used for or incorporated into any products or systems whose manufacture, use, or sale is prohibited under any applicable laws or regulations.
- The information contained herein is presented only as guidance for Product use. No responsibility is assumed by TOSHIBA for any infringement of patents or any other intellectual property rights of third parties that may result from the use of Product. No license to any intellectual property right is granted by this document, whether express or implied, by estoppel or otherwise.
- **ABSENT A WRITTEN SIGNED AGREEMENT, EXCEPT AS PROVIDED IN THE RELEVANT TERMS AND CONDITIONS OF SALE FOR PRODUCT, AND TO THE MAXIMUM EXTENT ALLOWABLE BY LAW, TOSHIBA (1) ASSUMES NO LIABILITY WHATSOEVER, INCLUDING WITHOUT LIMITATION, INDIRECT, CONSEQUENTIAL, SPECIAL, OR INCIDENTAL DAMAGES OR LOSS, INCLUDING WITHOUT LIMITATION, LOSS OF PROFITS, LOSS OF OPPORTUNITIES, BUSINESS INTERRUPTION AND LOSS OF DATA, AND (2) DISCLAIMS ANY AND ALL EXPRESS OR IMPLIED WARRANTIES AND CONDITIONS RELATED TO SALE, USE OF PRODUCT, OR INFORMATION, INCLUDING WARRANTIES OR CONDITIONS OF MERCHANTABILITY, FITNESS FOR A PARTICULAR PURPOSE, ACCURACY OF INFORMATION, OR NONINFRINGEMENT.**
- Do not use or otherwise make available Product or related software or technology for any military purposes, including without limitation, for the design, development, use, stockpiling or manufacturing of nuclear, chemical, or biological weapons or missile technology products (mass destruction weapons). Product and related software and technology may be controlled under the Japanese Foreign Exchange and Foreign Trade Law and the U.S. Export Administration Regulations. Export and re-export of Product or related software or technology are strictly prohibited except in compliance with all applicable export laws and regulations.
- Product is subject to foreign exchange and foreign trade control laws.
- The technical information described in this document is subject to foreign exchange and foreign trade control laws.
- Please contact your TOSHIBA sales representative for details as to environmental matters such as the RoHS compatibility of Product. Please use Product in compliance with all applicable laws and regulations that regulate the inclusion or use of controlled substances, including without limitation, the EU RoHS Directive. TOSHIBA assumes no liability for damages or losses occurring as a result of noncompliance with applicable laws and regulations.